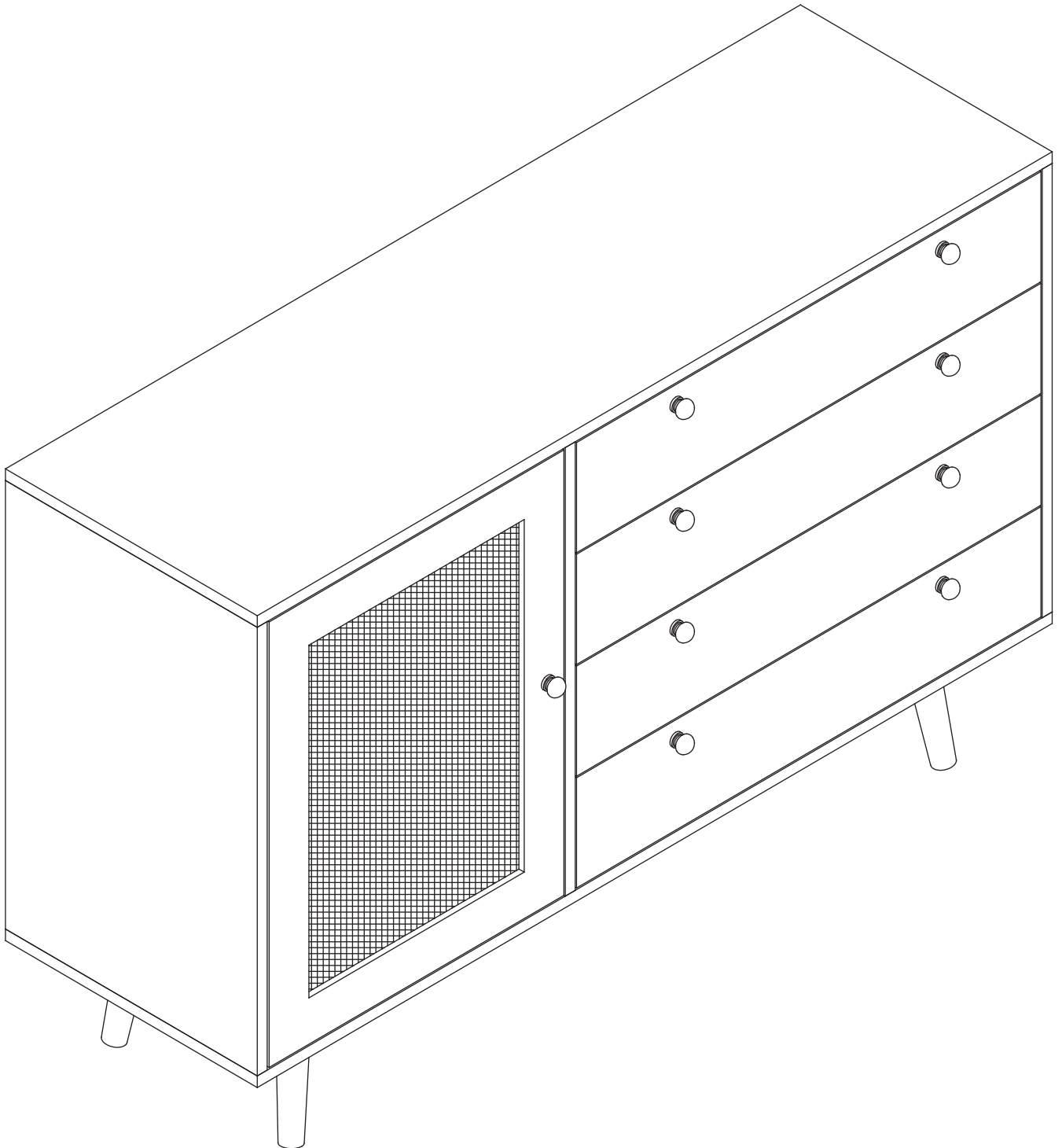
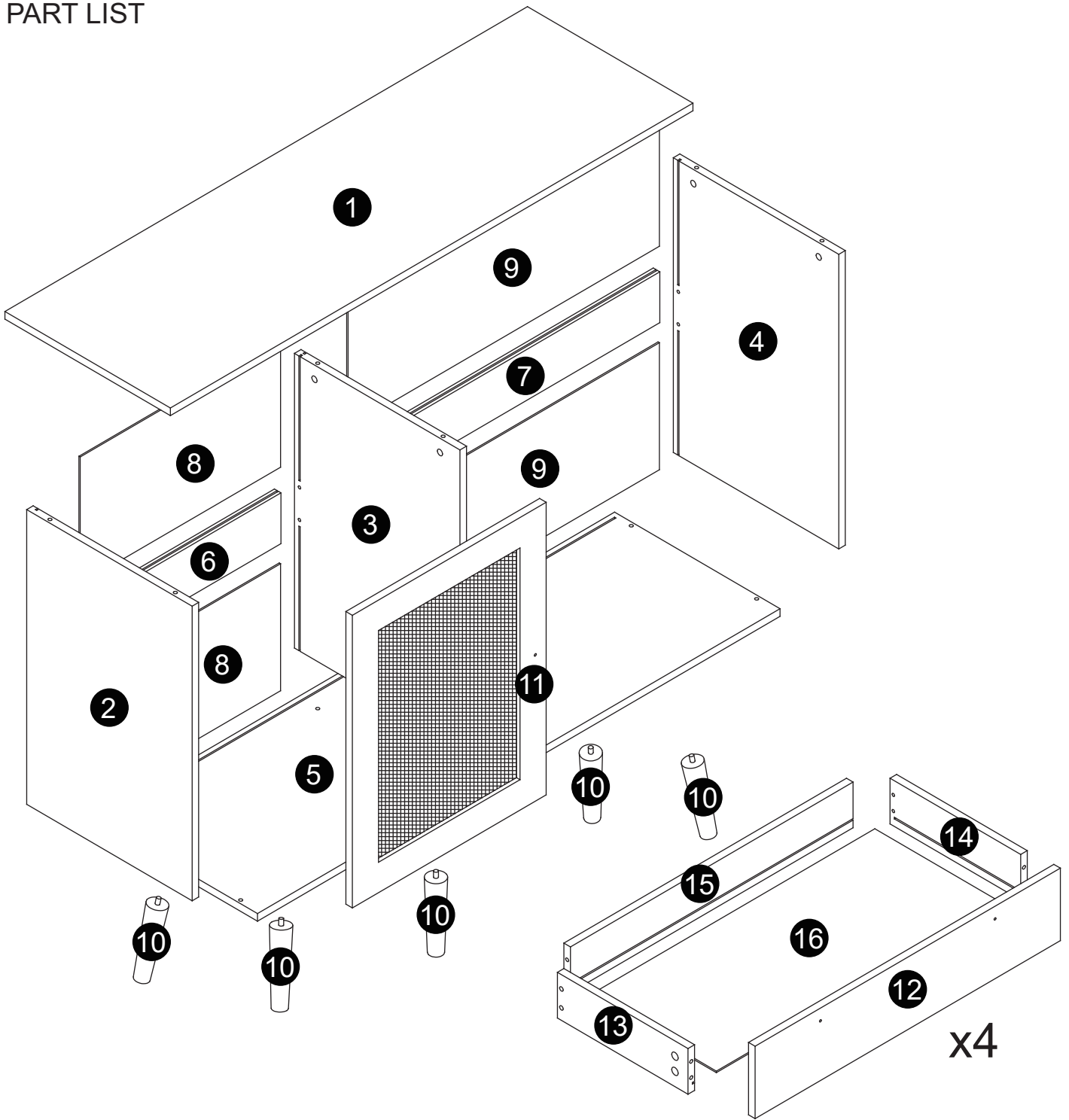


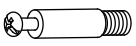

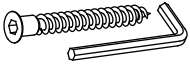








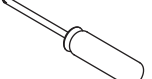
# ASSEMBLY INSTRUCTION



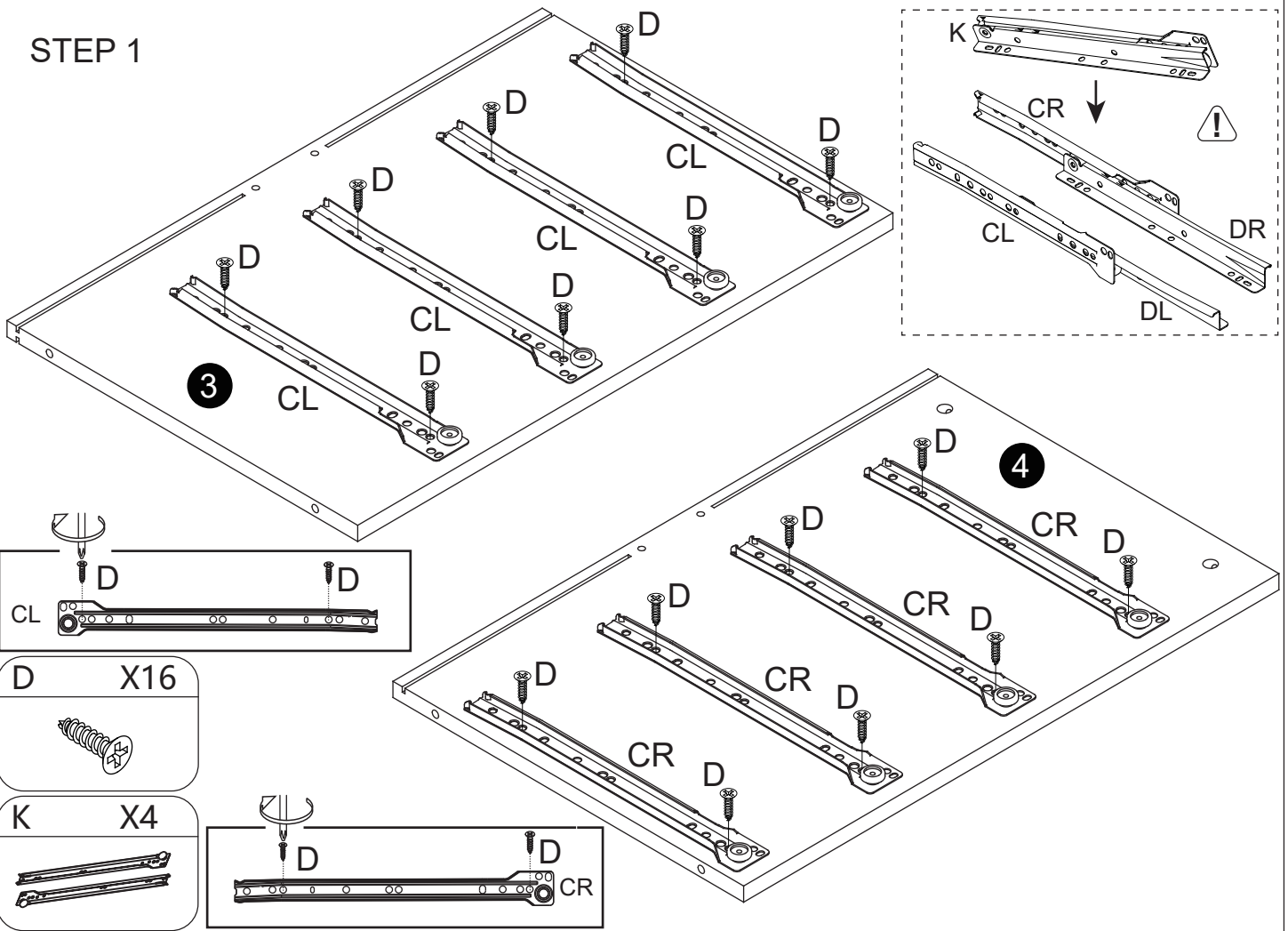
# PART LIST



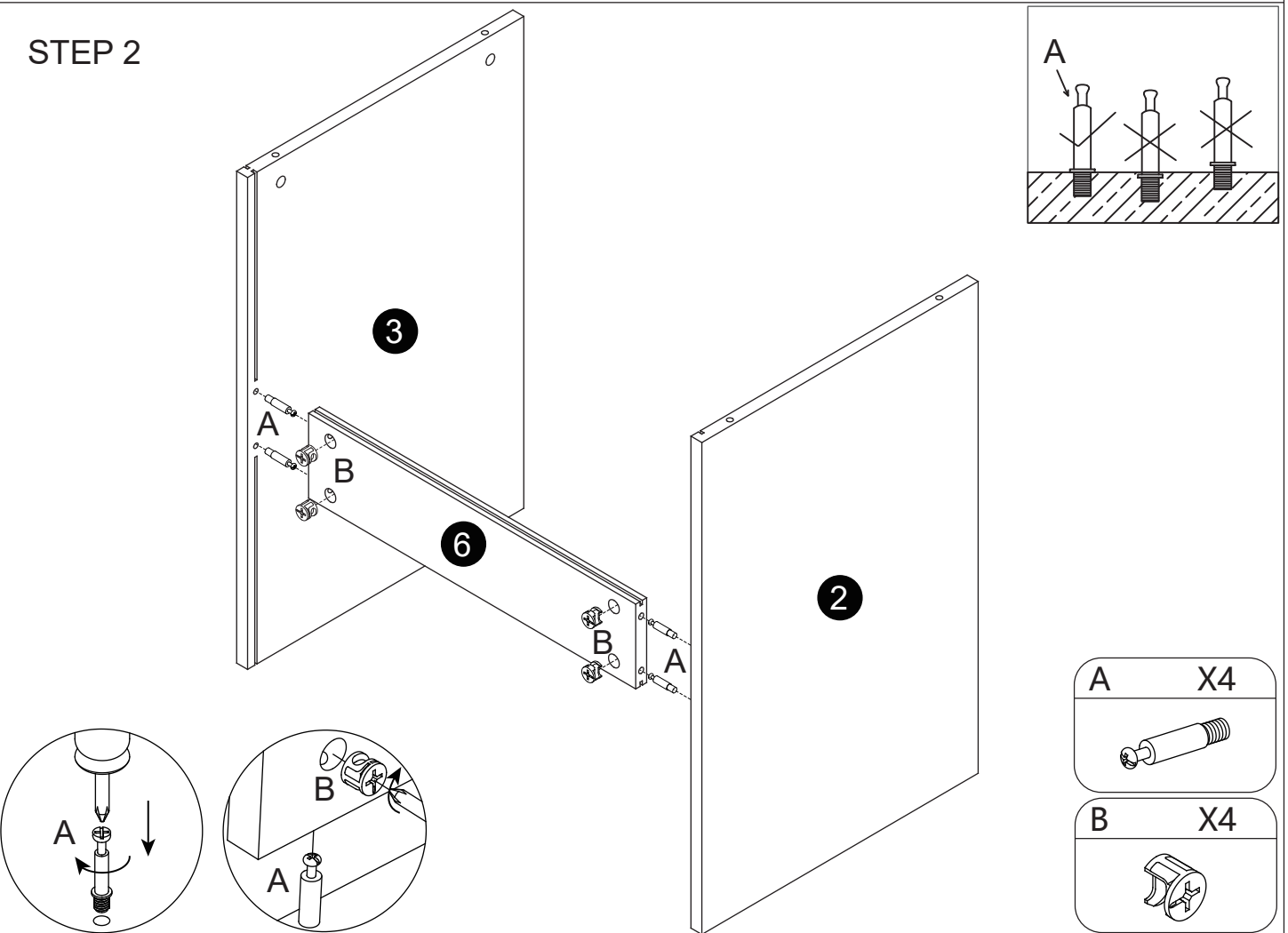
## HARDWARE LIST

<b>A</b> X30  M6*40mm	<b>B</b> X30  15*11mm	<b>C</b> X22  M4*40mm	<b>D</b> X82  M3.5*12mm	<b>E</b> X4  60*80mm
<b>F</b> X1 	<b>G</b> X9  M4*18mm	<b>H</b> X10  10*10mm	<b>I</b> X2 	<b>J</b> X1  40*40mm
<b>K</b> X4  12 inch slip	<b>L</b> X1 			

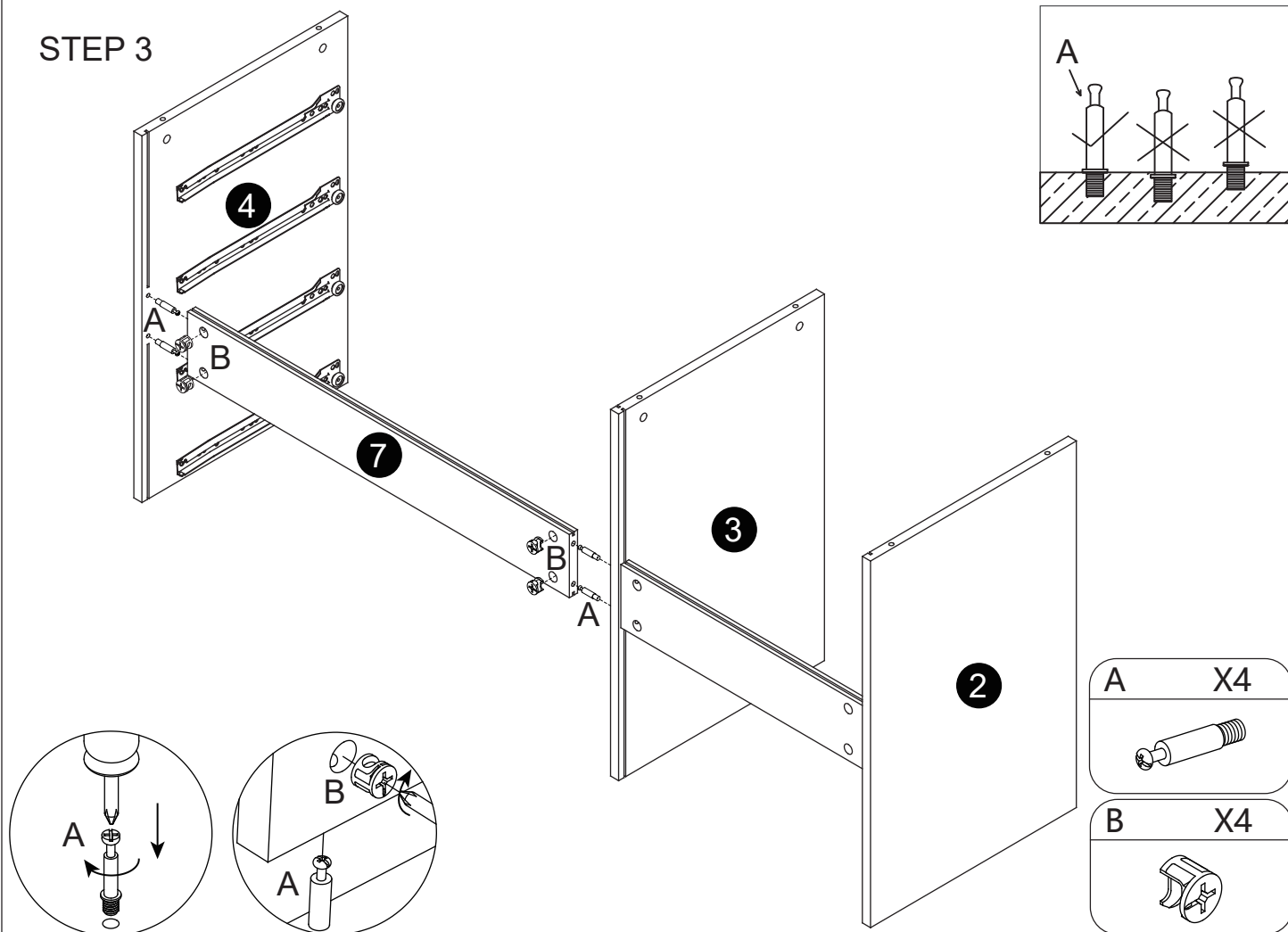
# STEP 1



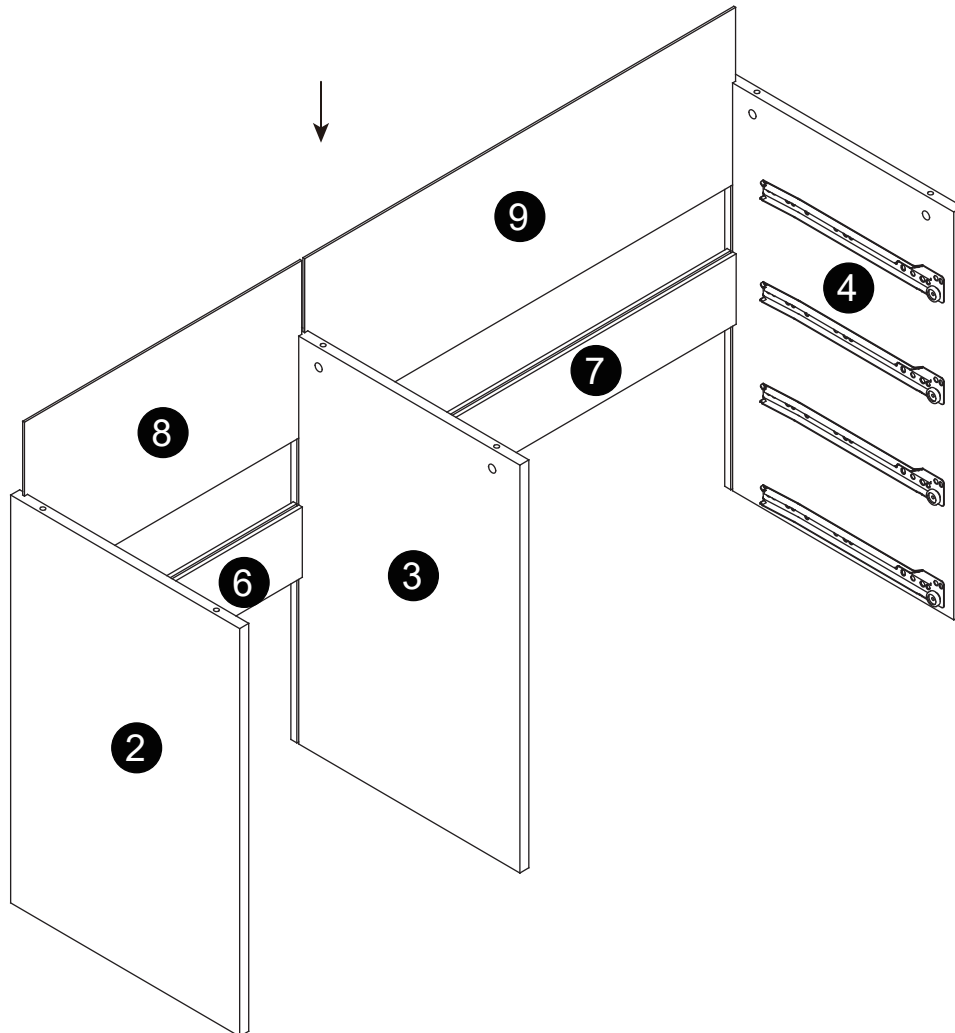
# STEP 2



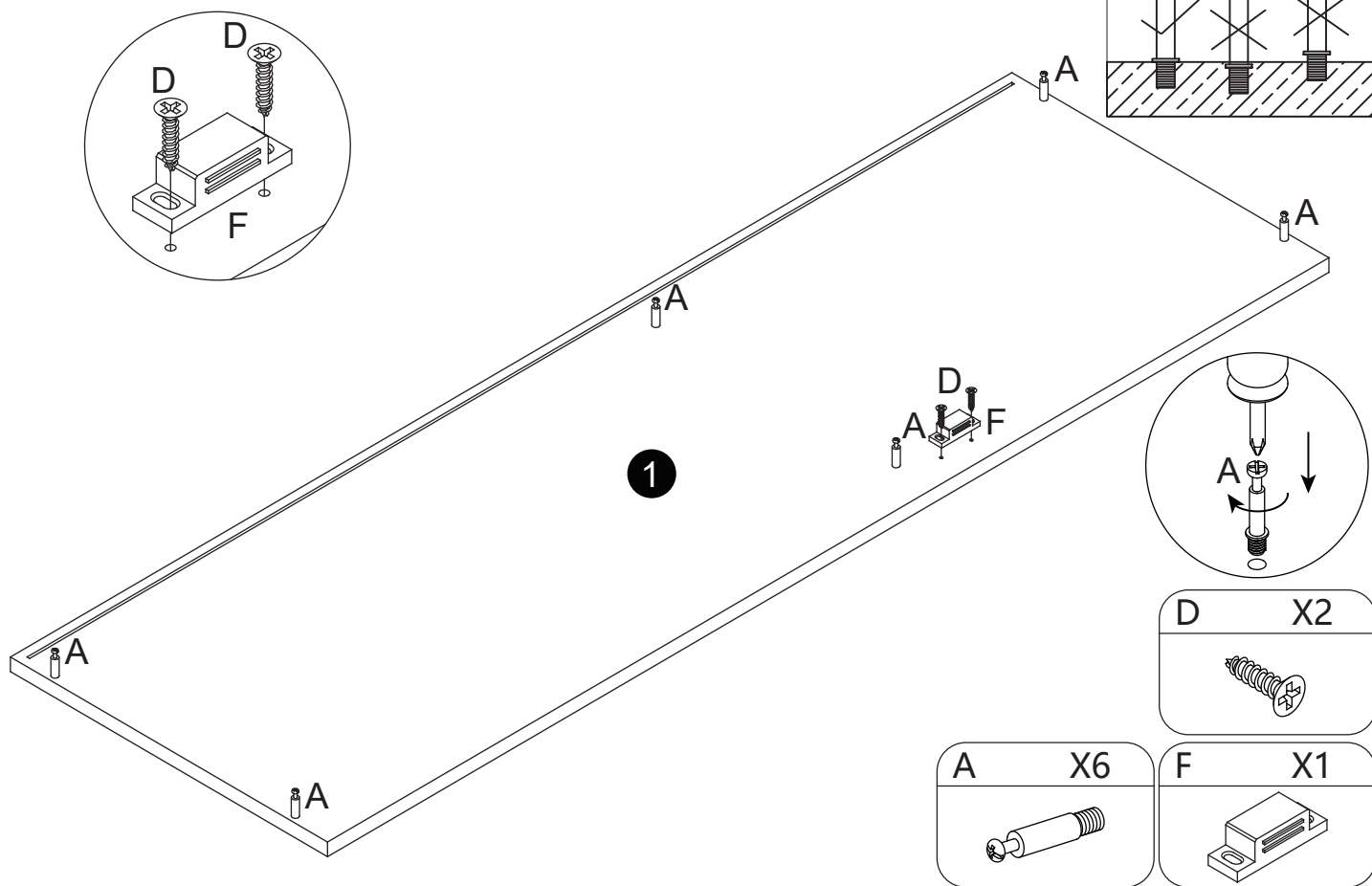
### STEP 3



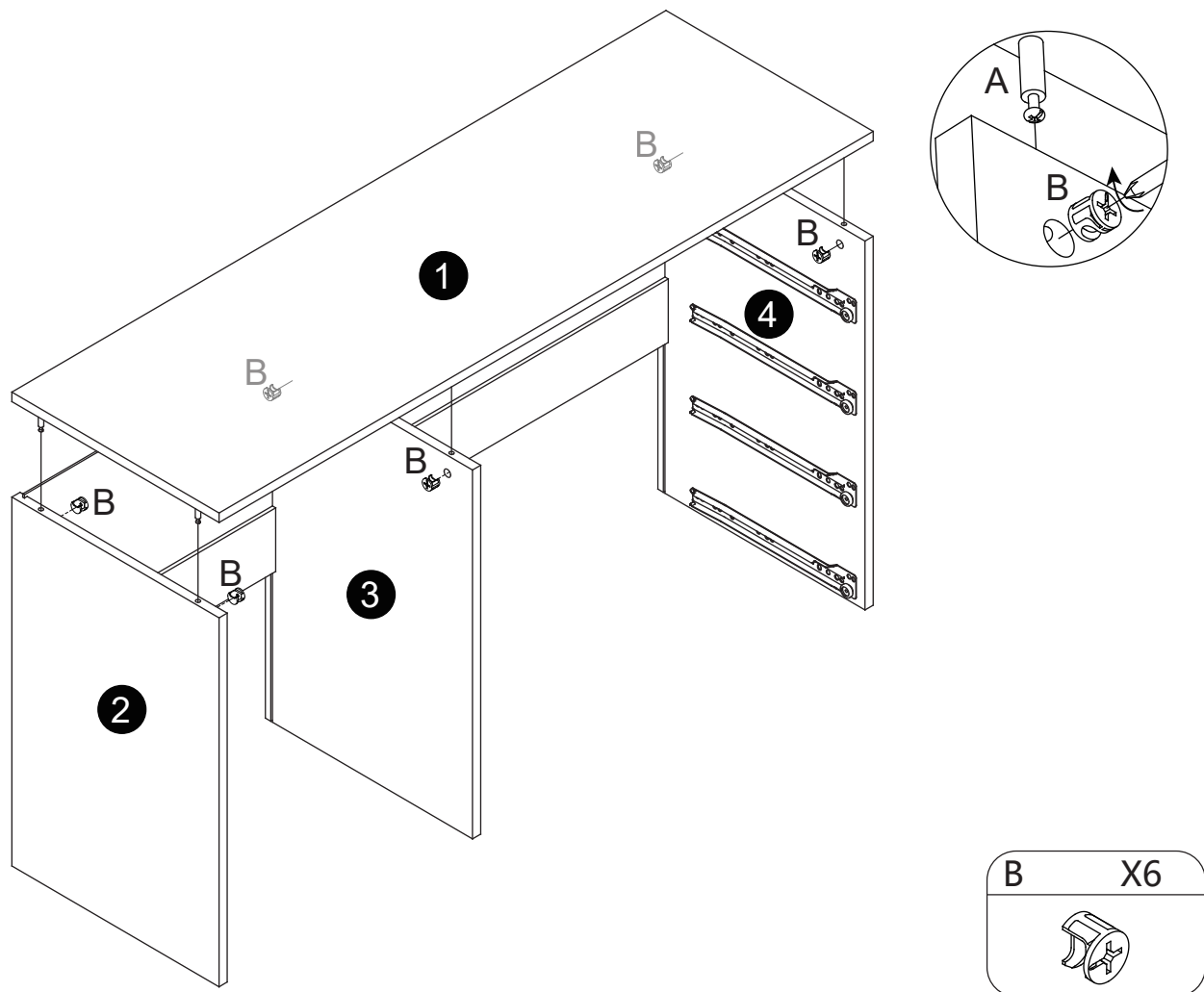
### STEP 4



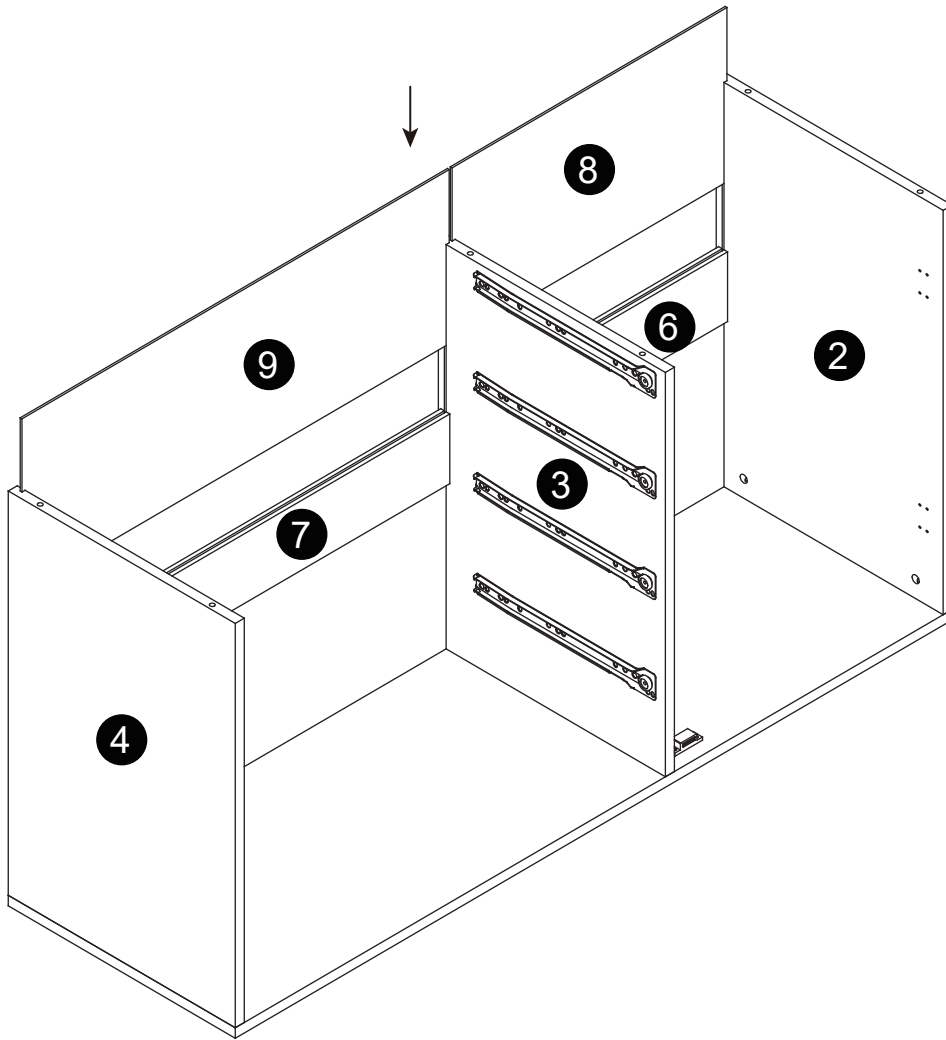
# STEP 5



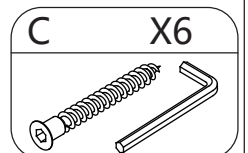
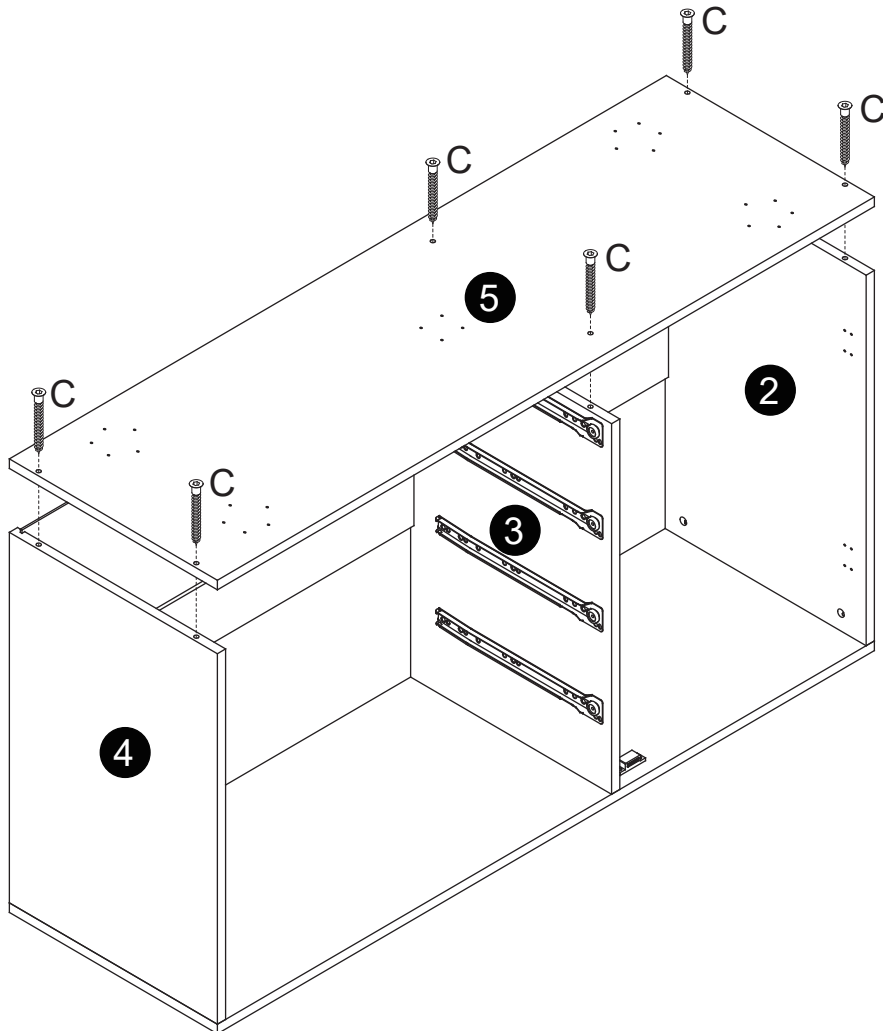
# STEP 6



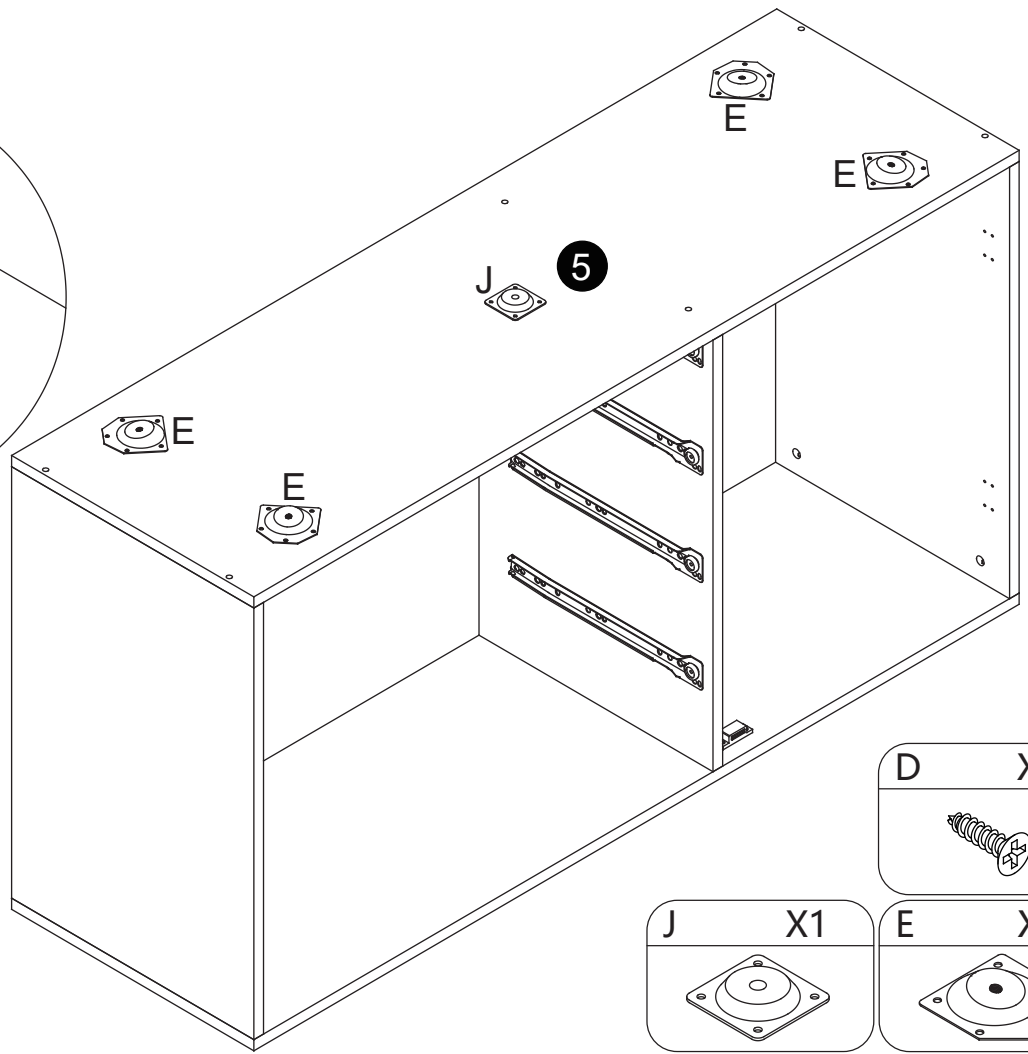
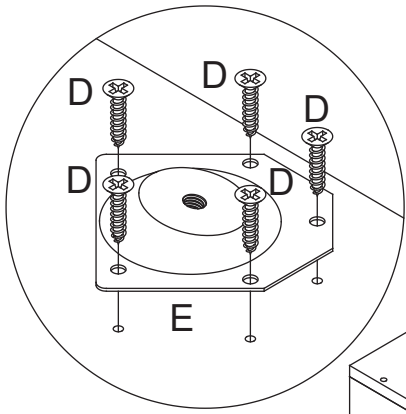
# STEP 7



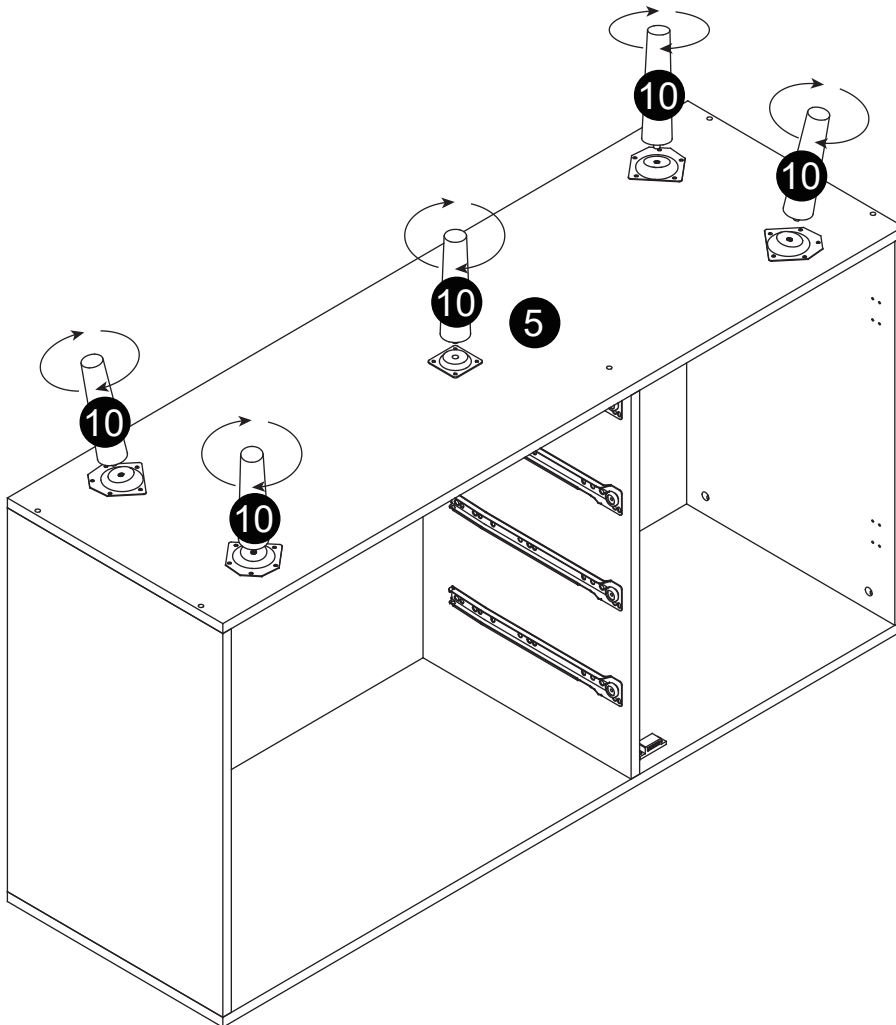
# STEP 8



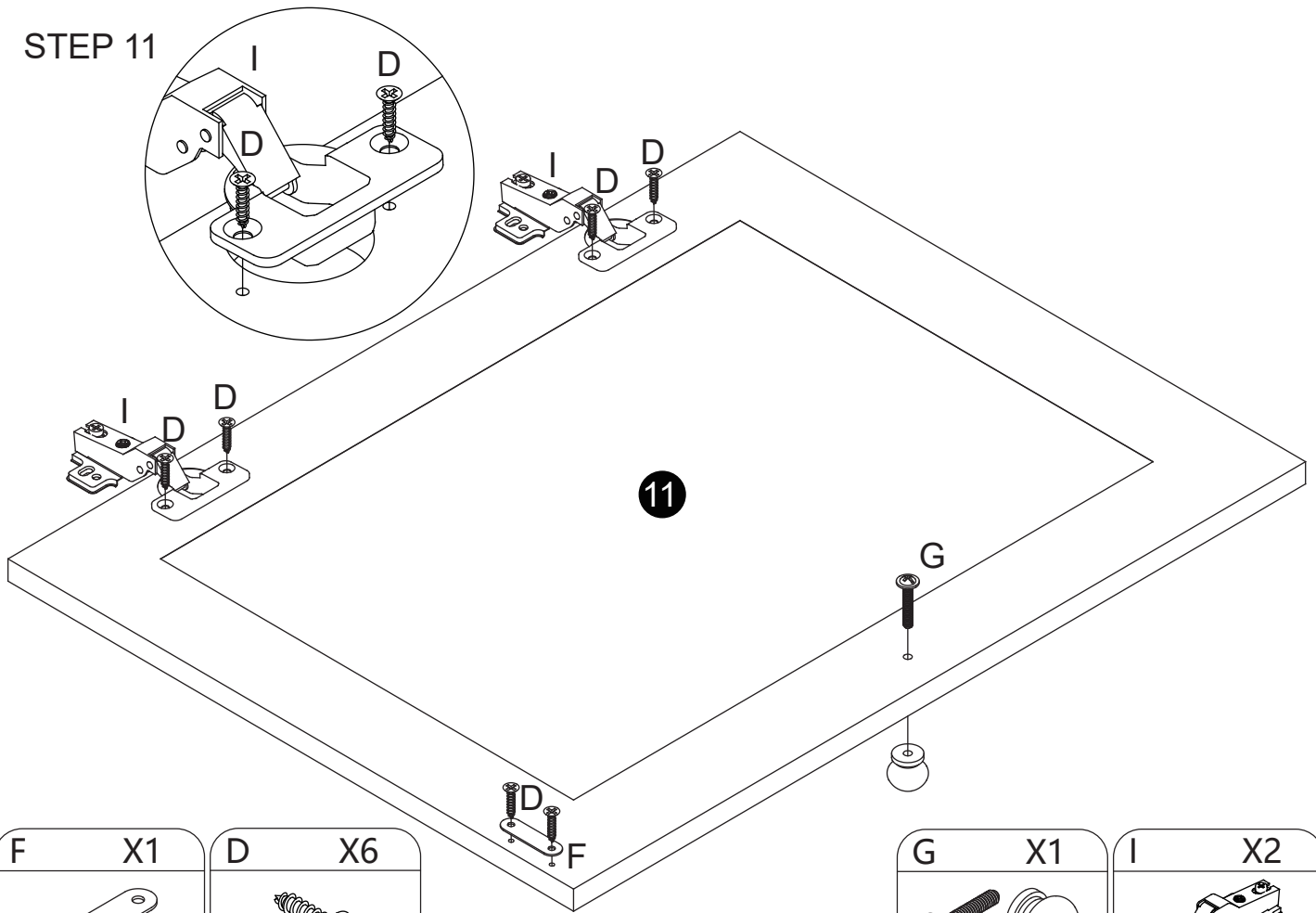
# STEP 9

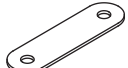
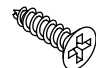





# STEP 10



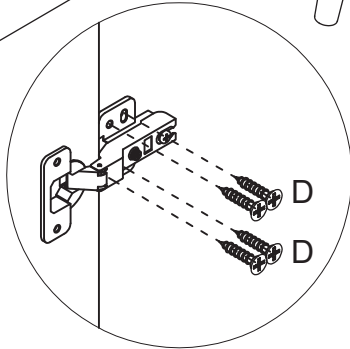
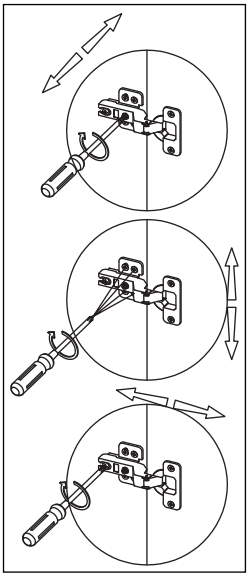
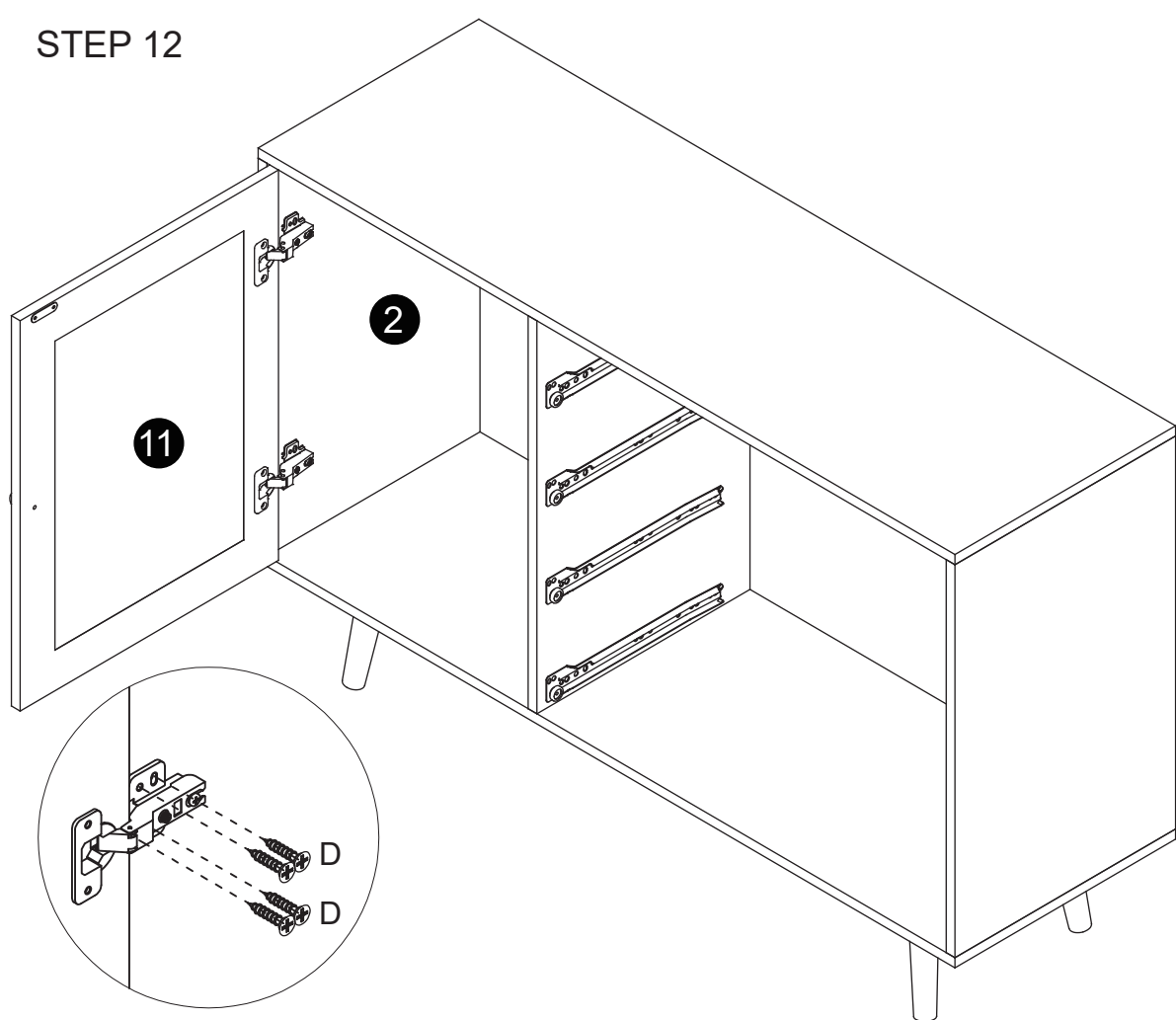
STEP 11

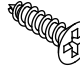


F	X1	D	X6
			

G	X1	I	X2
			

STEP 12

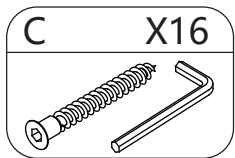
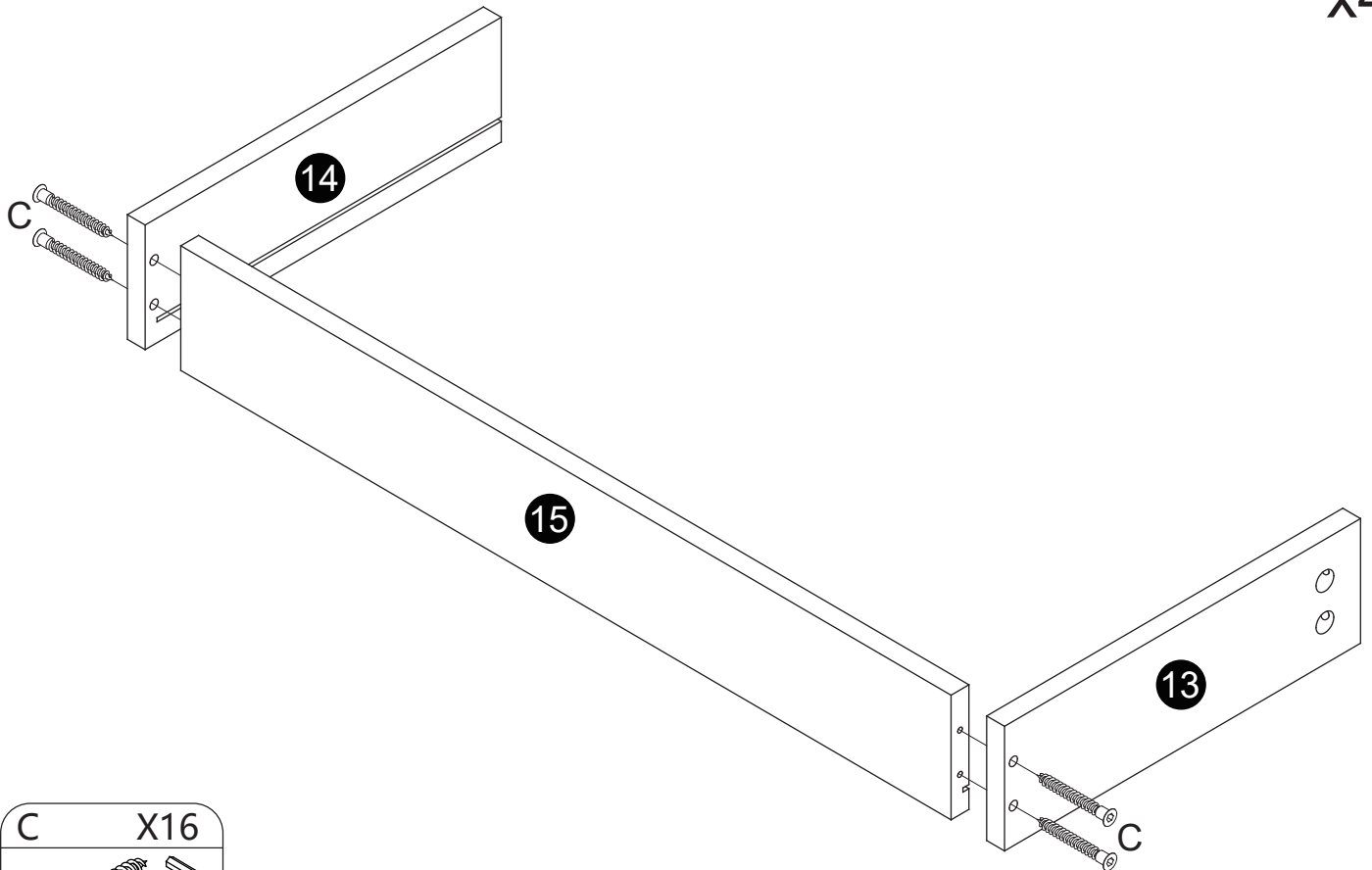


D	X8
	

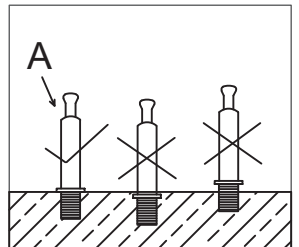


STEP 13

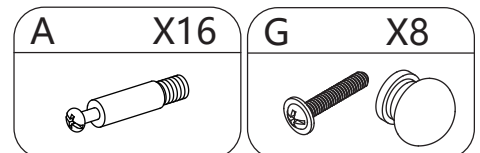
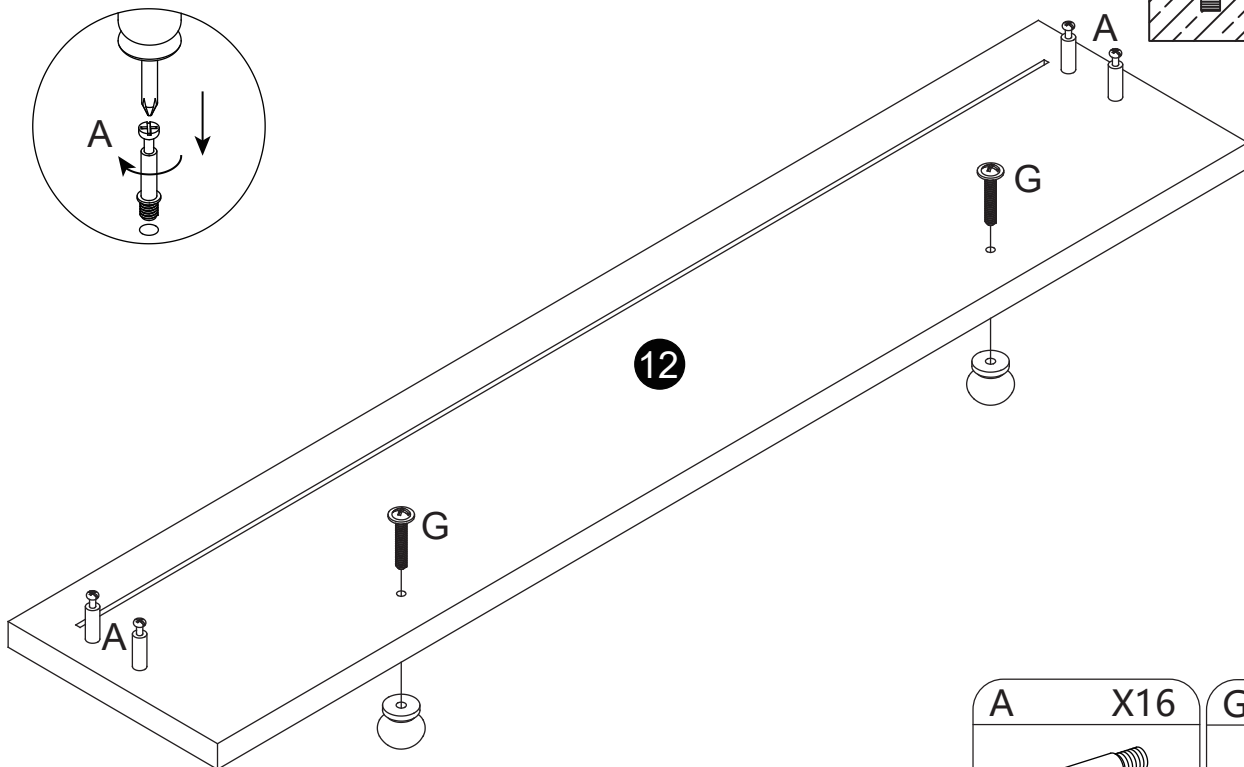
x4



STEP 14

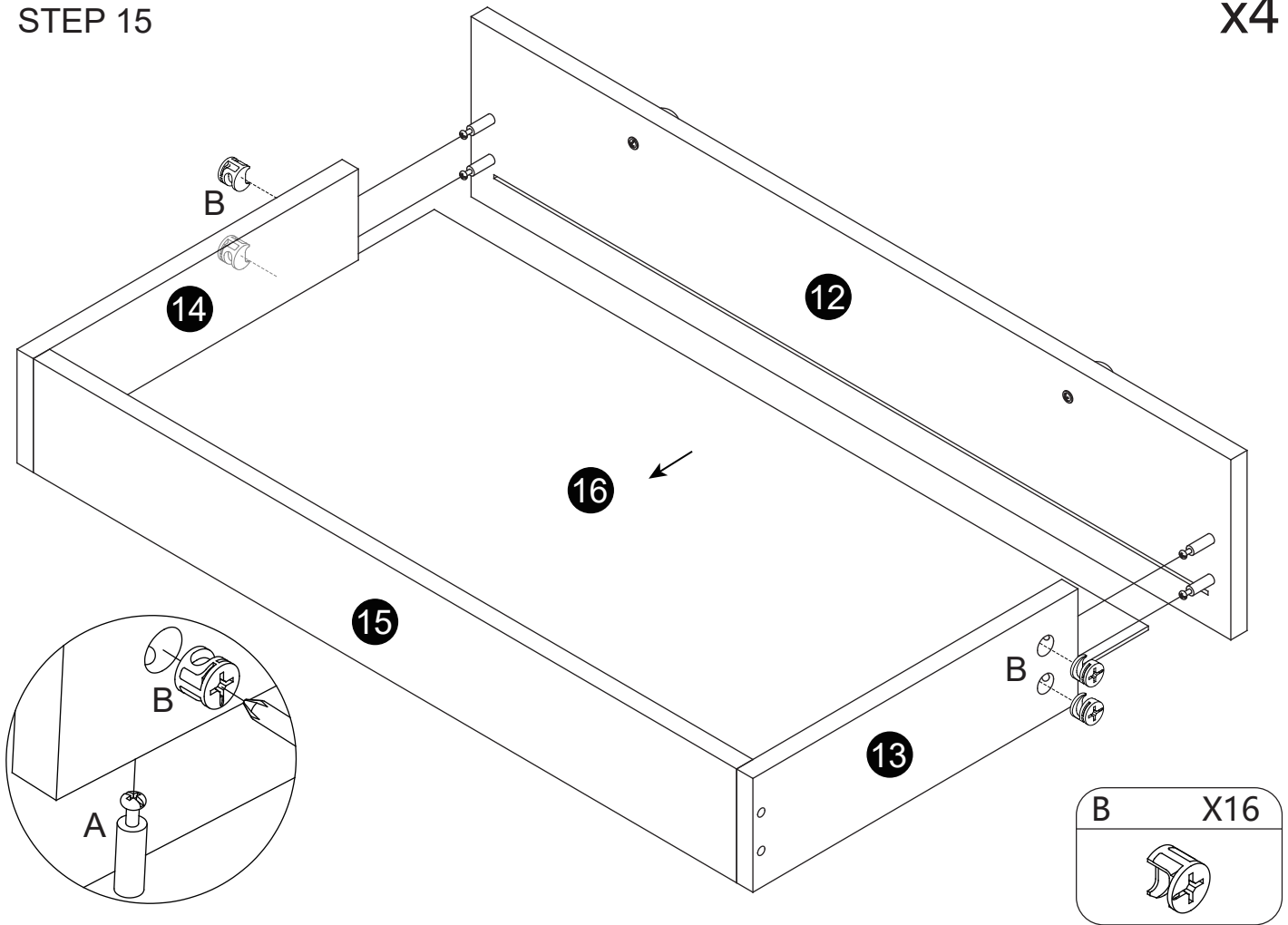


x4



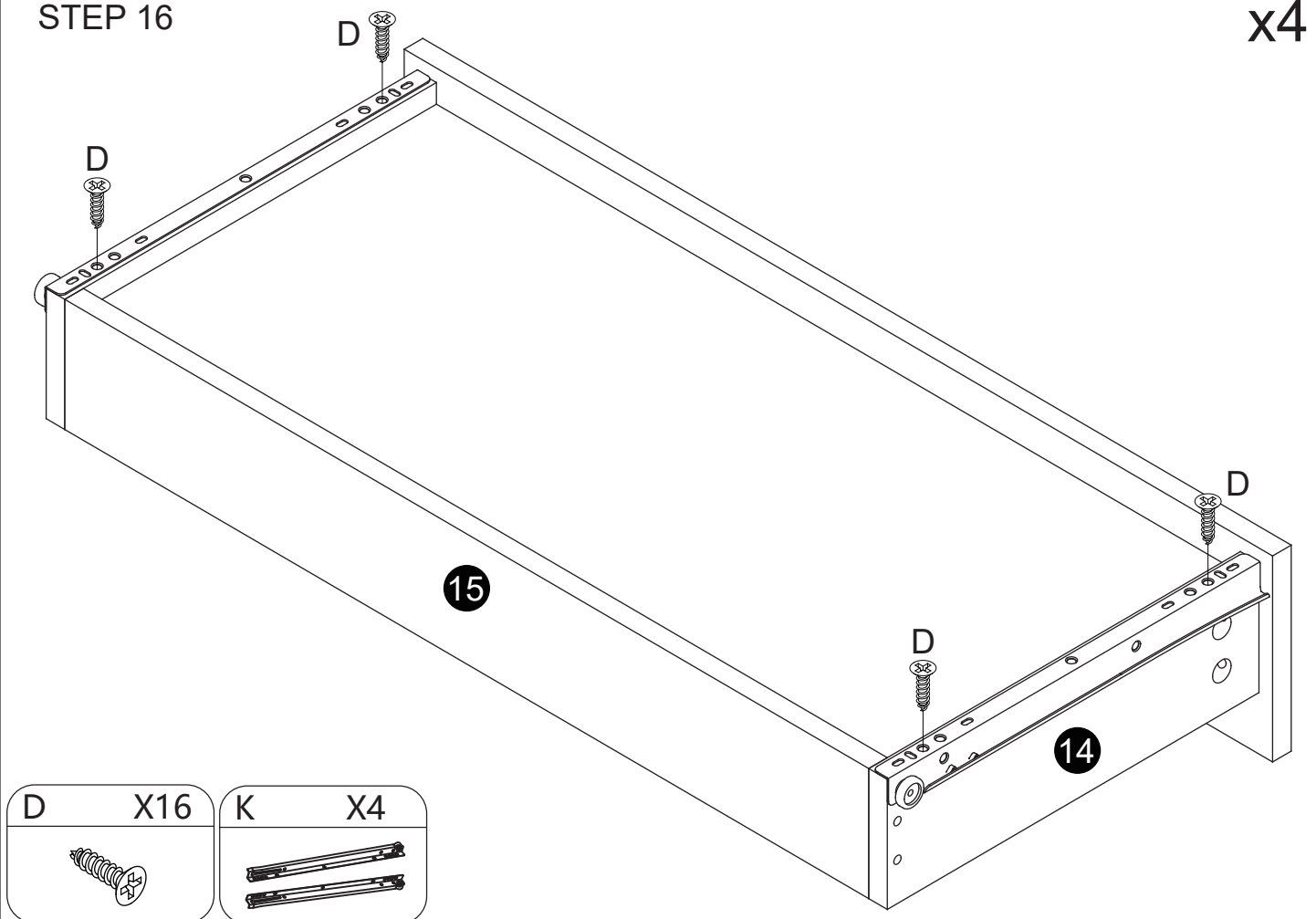
STEP 15

x4

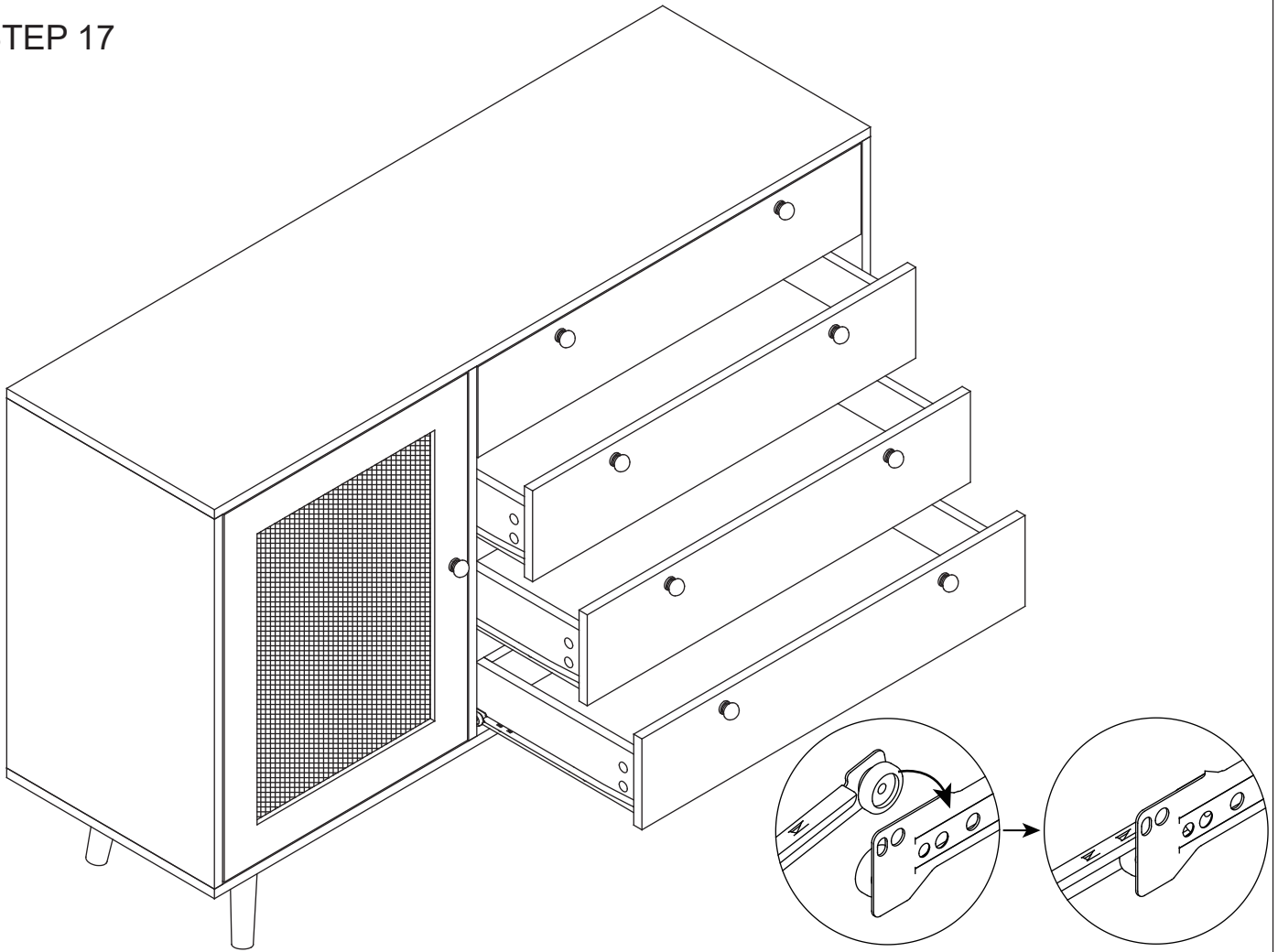


STEP 16

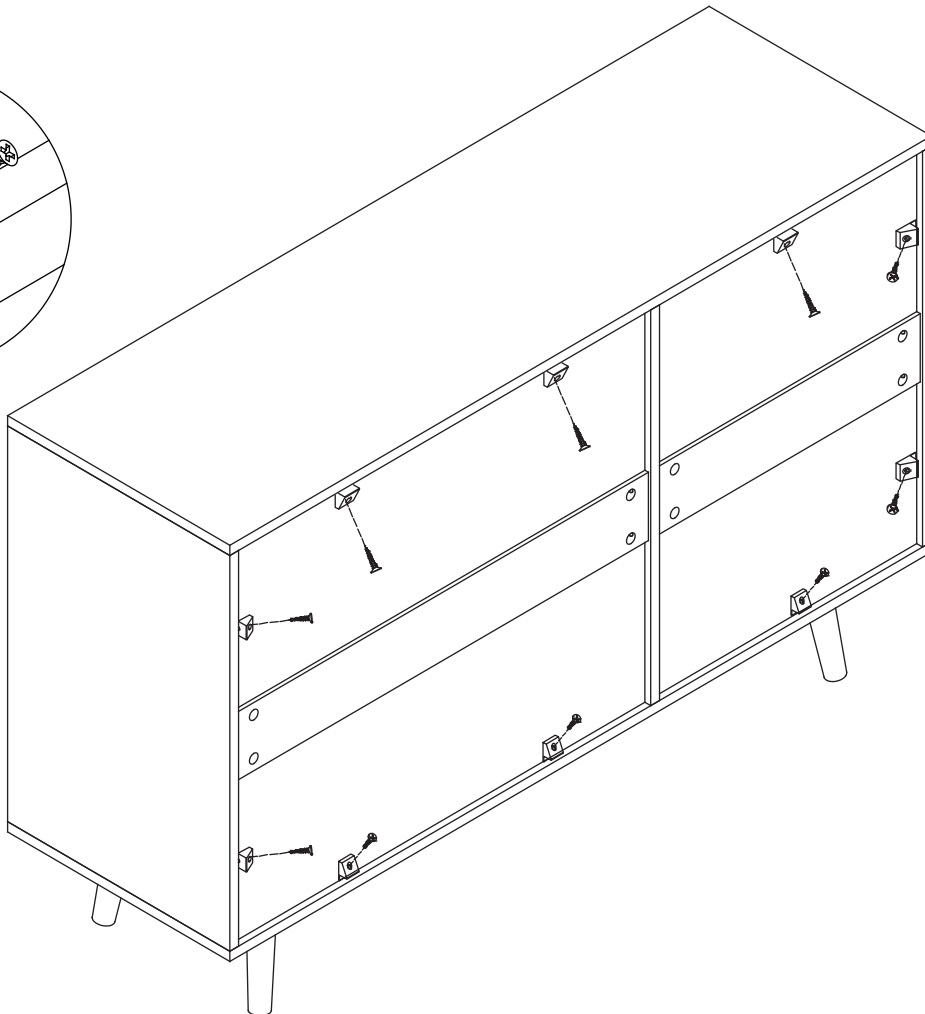
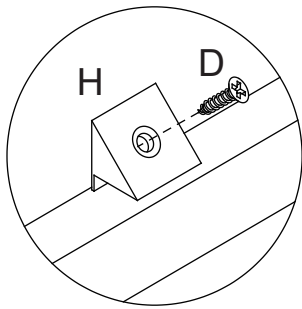
x4

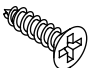



# STEP 17



# STEP 18



- |   |     |
|---|-----|
| D   | X10 |
|  |     |
| H   | X10 |
|  |     |