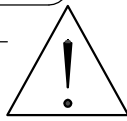
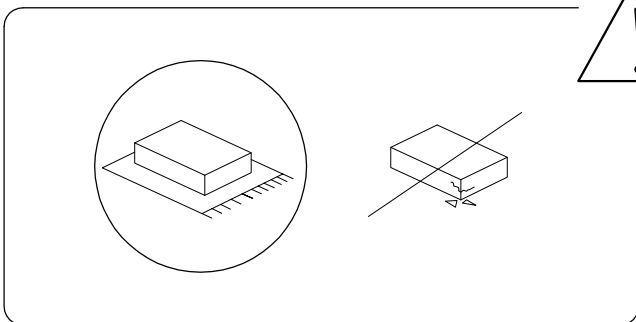


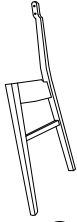


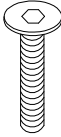


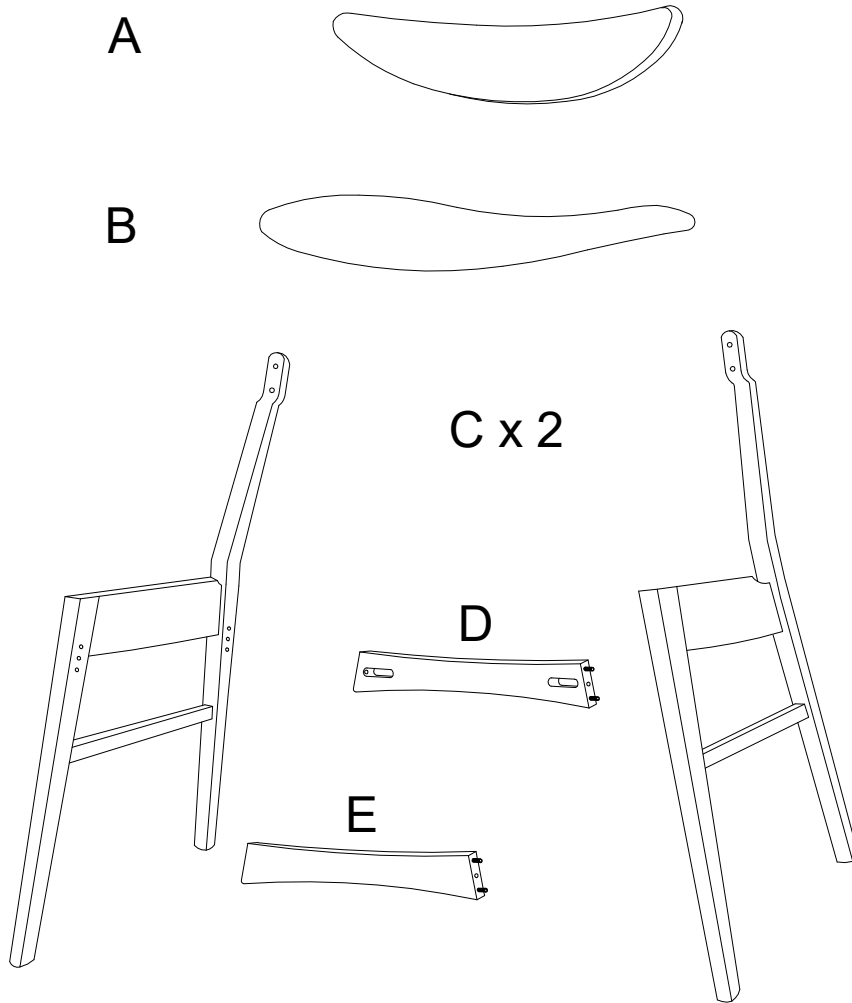
20'

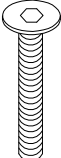


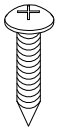
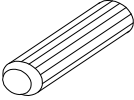
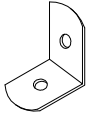



1




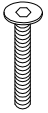

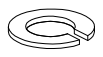
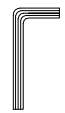
1/5

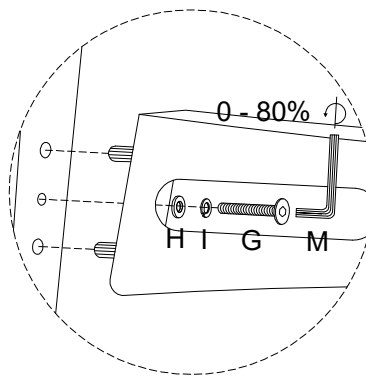
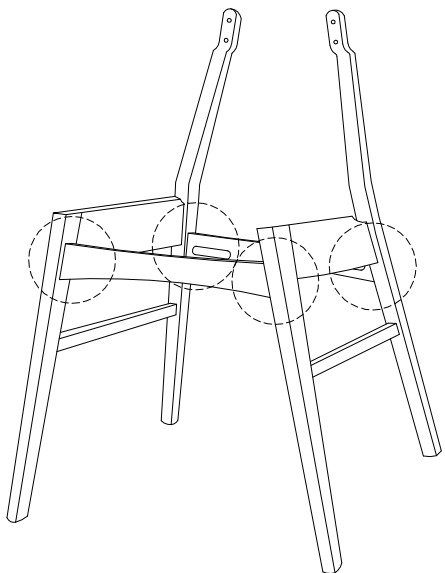
A	B	C	D	E	F
					 M6 x 25
x 1	x 1	x 2	x 1	x 1	x 4




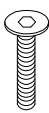
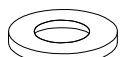


G	H	I	J	K	L	M
 M6 x 45			 3.5 x 12			
x 4	x 8	x 8	x 8	x 2	x 4	x 1

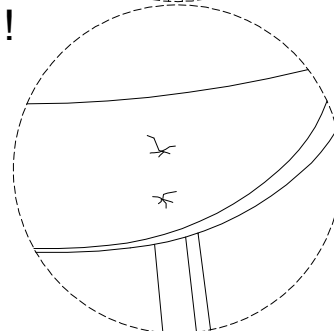
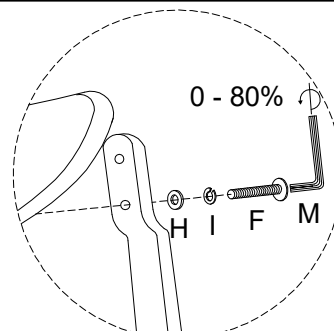
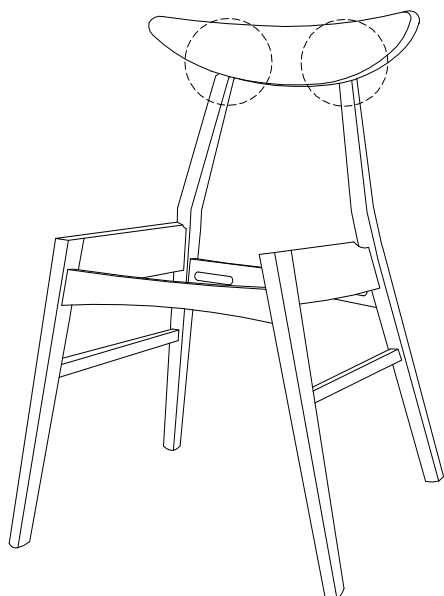
1

C  x 2	D  x 1	E  x 1	G  M6 x 45 x 4	H  x 4	I  x 4	M  x 1
------------------------------------------------------------------------------------------------------	------------------------------------------------------------------------------------------------------	------------------------------------------------------------------------------------------------------	-----------------------------------------------------------------------------------------------------------------	-------------------------------------------------------------------------------------------------------	--------------------------------------------------------------------------------------------------------	--------------------------------------------------------------------------------------------------------



2

A  x 1	F  M6 x 25 x 4	H  x 4	I  x 4	M  x 1
--------------------------------------------------------------------------------------------------------	-------------------------------------------------------------------------------------------------------------------	--------------------------------------------------------------------------------------------------------	----------------------------------------------------------------------------------------------------------	----------------------------------------------------------------------------------------------------------



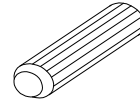
3

B

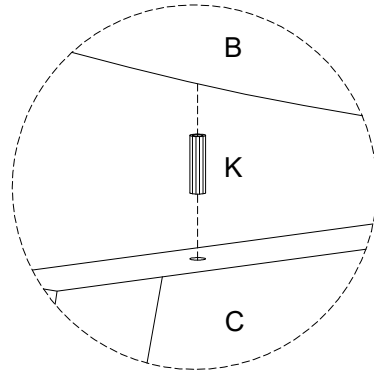
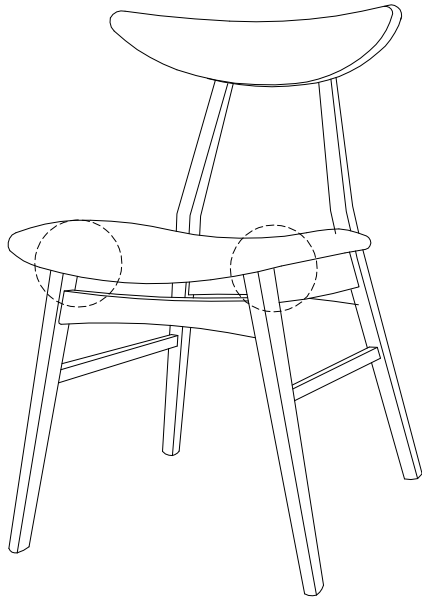


x 1

K

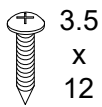


x 2



4

J

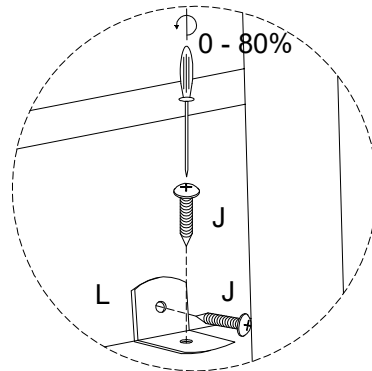
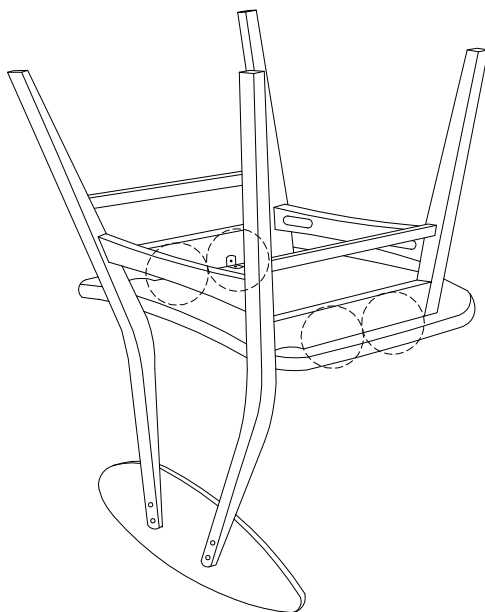


x 8

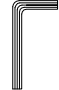
L



x 4



5

M

x 1

