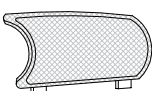
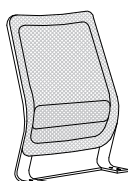


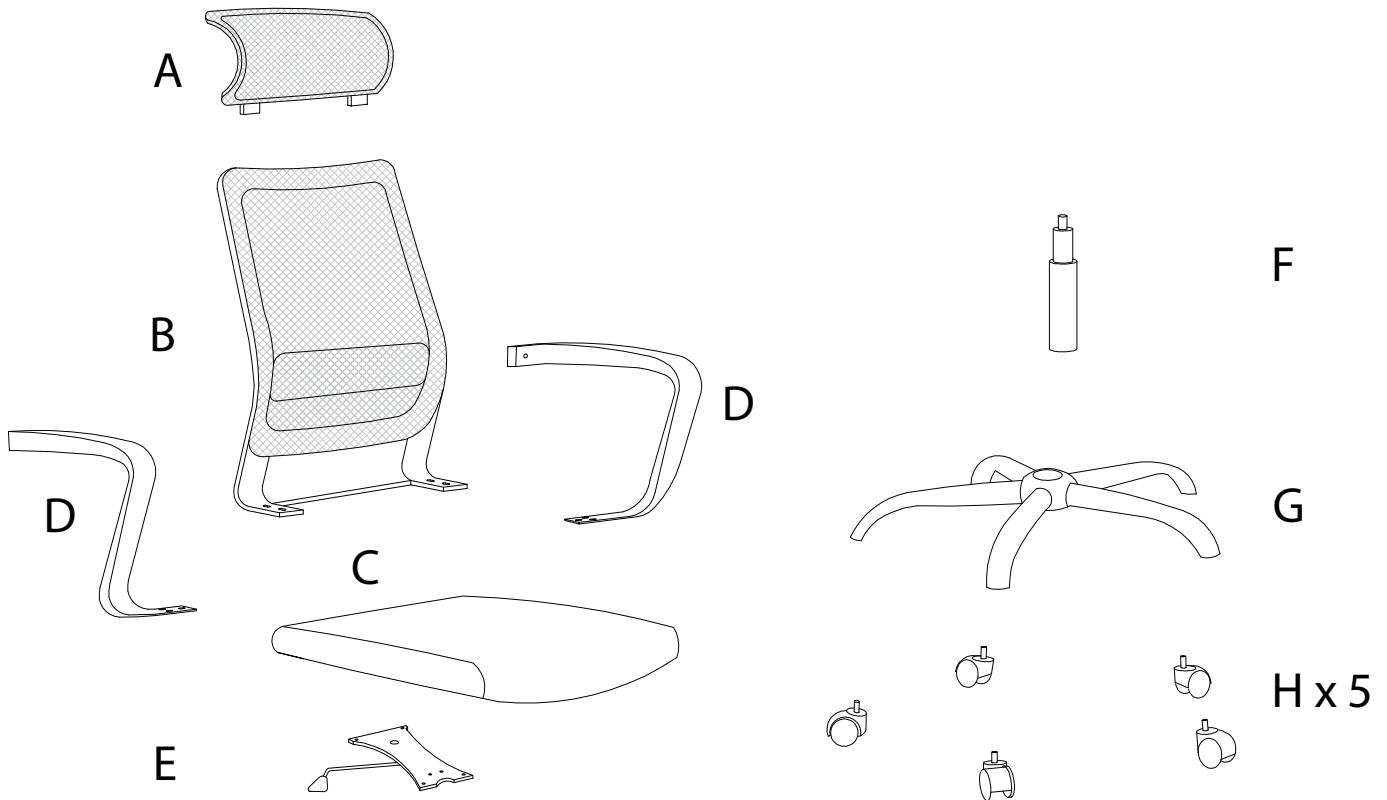


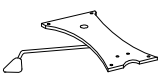


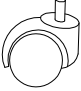
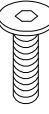
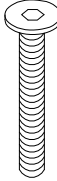
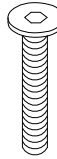
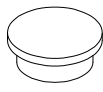
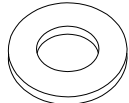
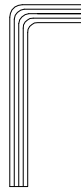


Diagram illustrating assembly instructions and safety warnings:

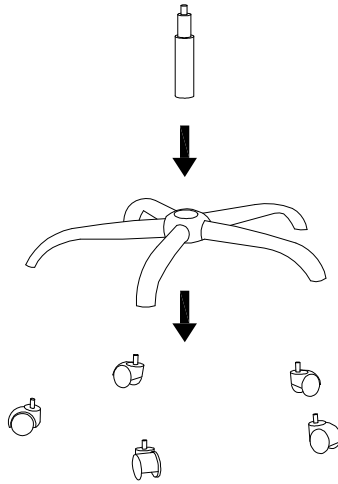
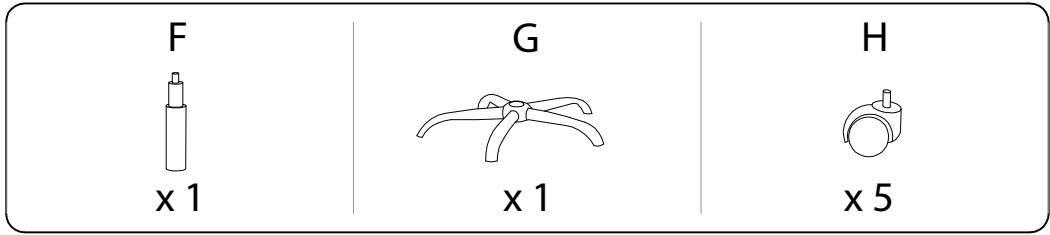
- Warning 1:** A triangle with an exclamation mark. Below it, a box contains an L-shaped corner bracket and a crossed-out power drill, indicating that a power drill should not be used to install the bracket.
- Warning 2:** A triangle with an exclamation mark. Below it, a box contains a rectangular block being placed on a surface and a crossed-out block with a screw being inserted into it, indicating that the block should not be secured to the floor with a screw.
- Time:** A clock icon with the text "30'" below it, indicating an estimated assembly time of 30 minutes.
- Person:** A stick figure icon with the number "1" below it, indicating that one person is required for assembly.

A	B	C	D
			
x 1	x 1	x 1	x 2

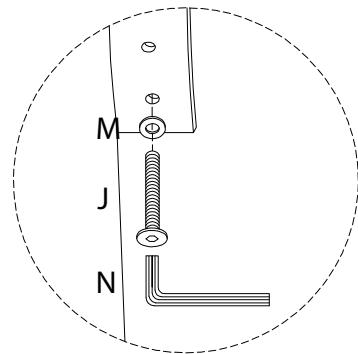
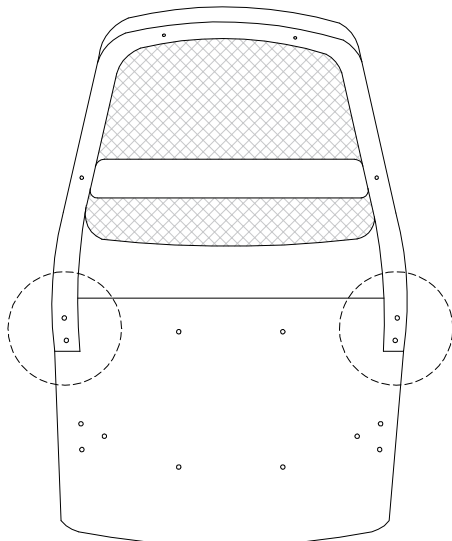
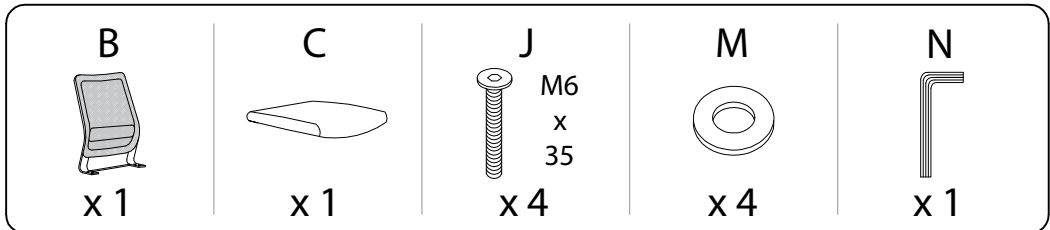


E	F	G	H	I
				
x 1	x 1	x 1	x 5	M6 x 18 x 6
J	K	L	M	N
				
x 10	x 2	x 2	x 14	x 1

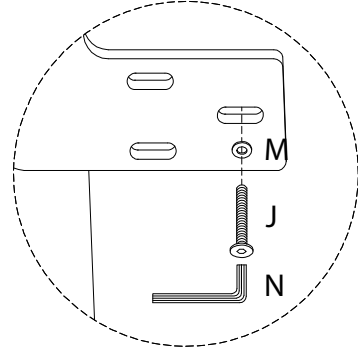
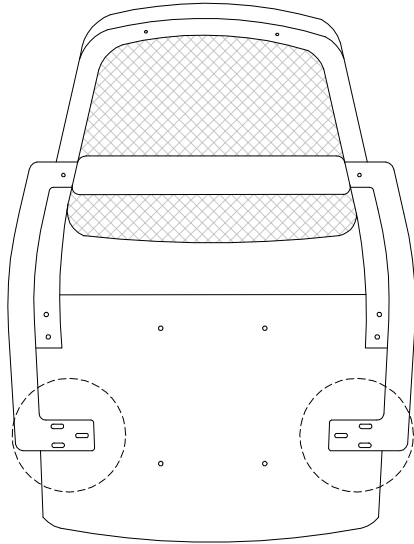
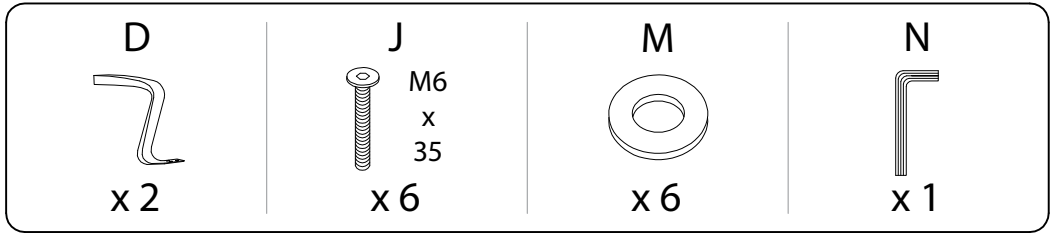
1



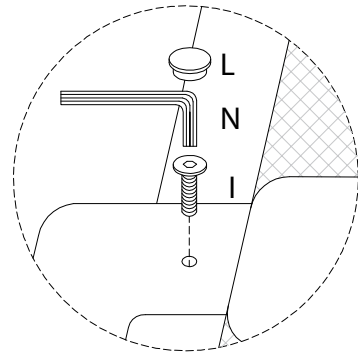
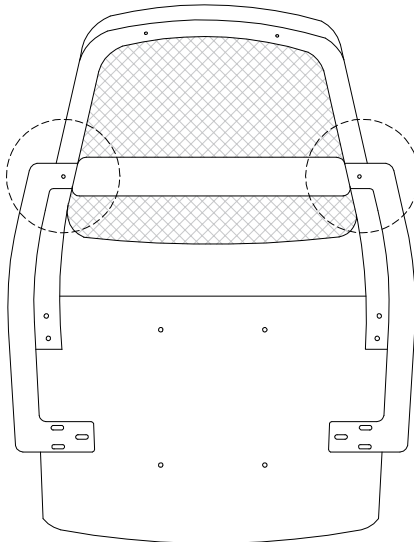
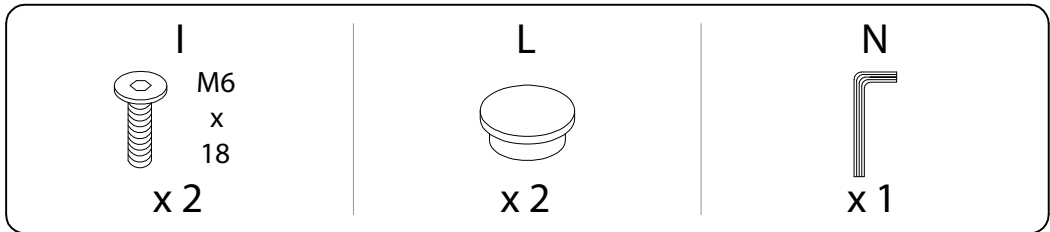
2



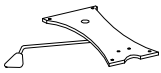

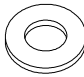
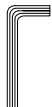
3

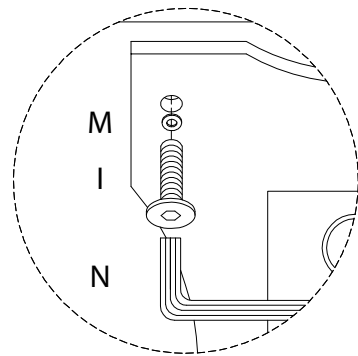
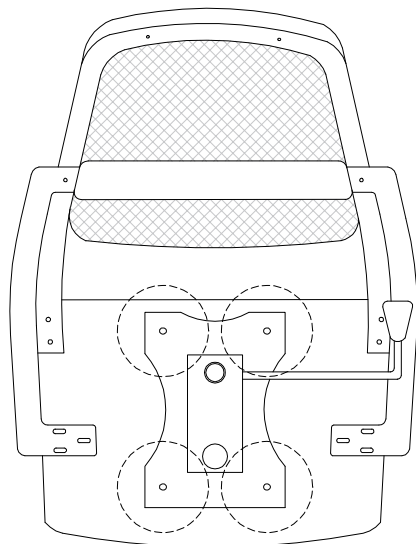


4

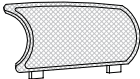
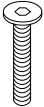
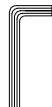


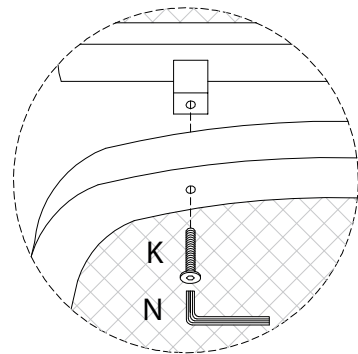
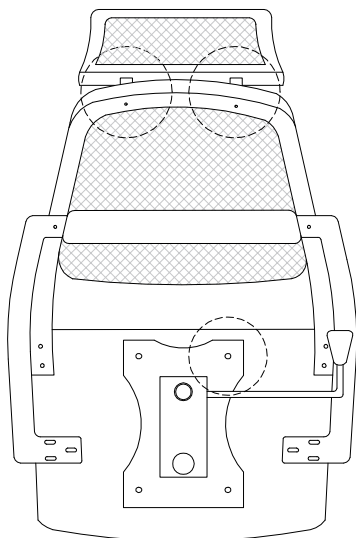
5

<p>E</p>  <p>x 1</p>	<p>I</p>  <p>M6 x 18</p> <p>x 4</p>	<p>M</p>  <p>x 4</p>	<p>N</p>  <p>x 1</p>
---	--	--	---



6

<p>A</p>  <p>x 1</p>	<p>K</p>  <p>M6 x 25</p> <p>x 2</p>	<p>N</p>  <p>x 1</p>
---	--	---



7

