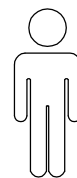
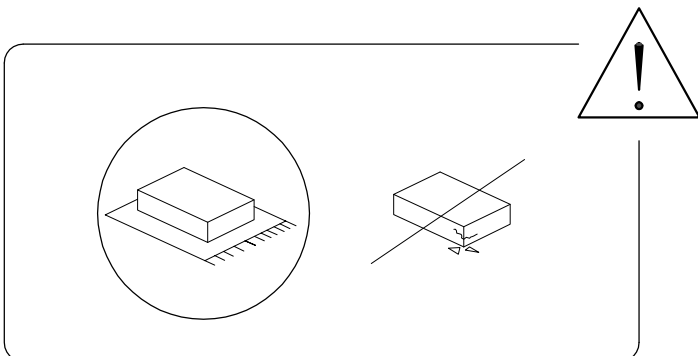
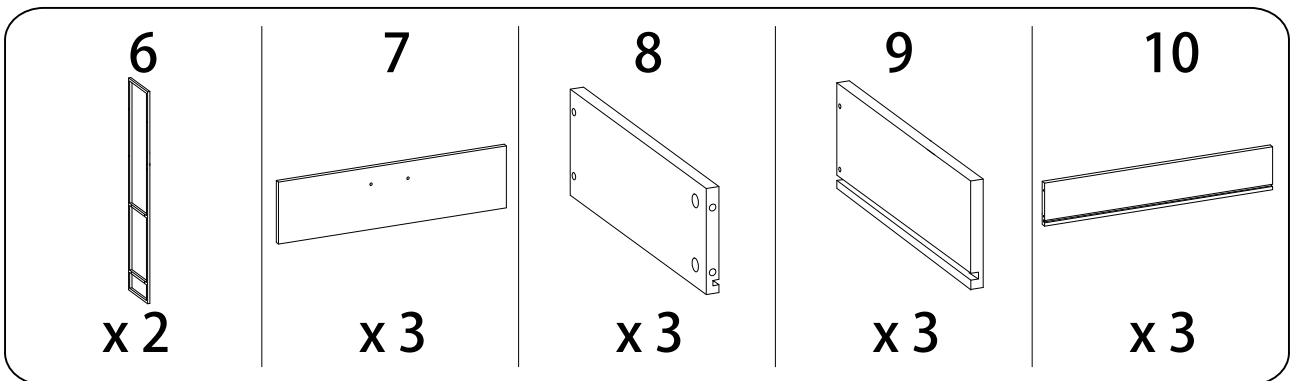
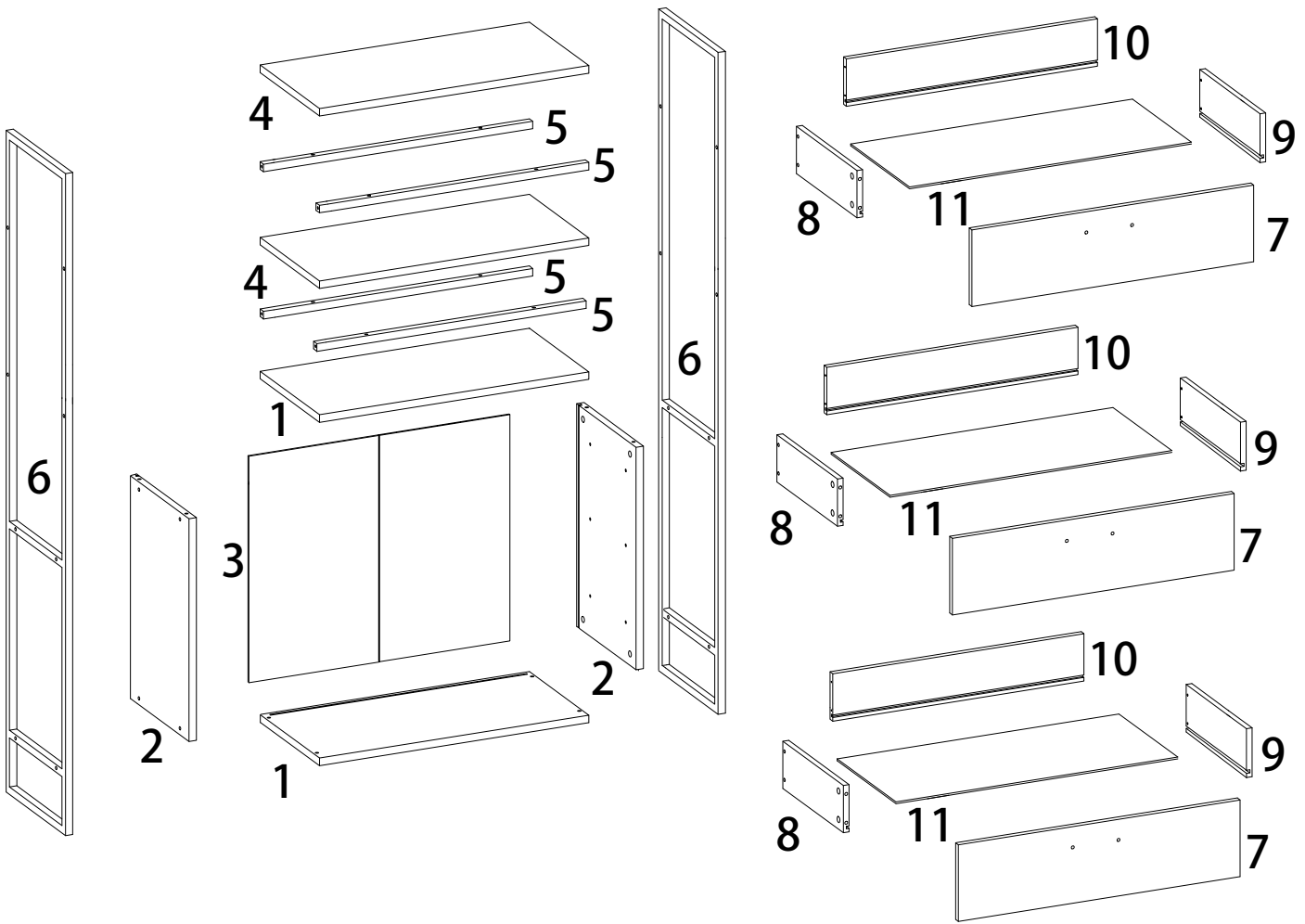
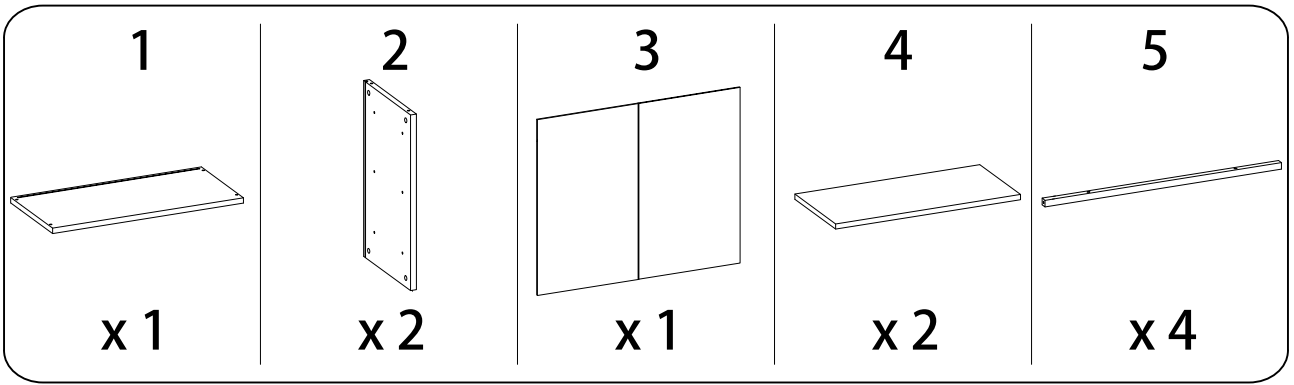


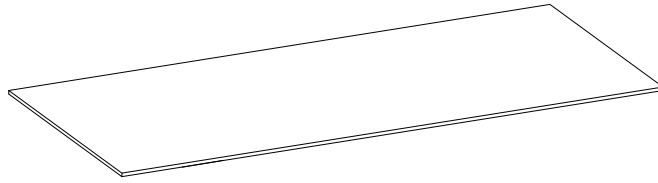
60'



1

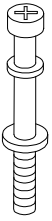


11



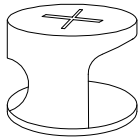
x 3

A



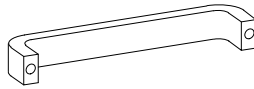
x 20

B



x 20

C



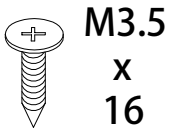
x 3

D



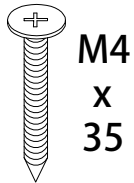
x 6

E



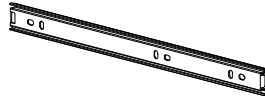
x 24

F



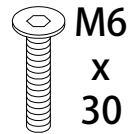
x 12

G



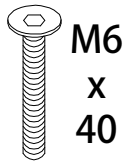
x 6

H



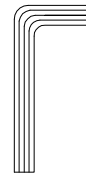
x 16

I



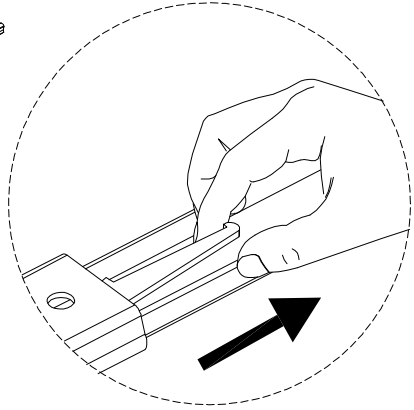
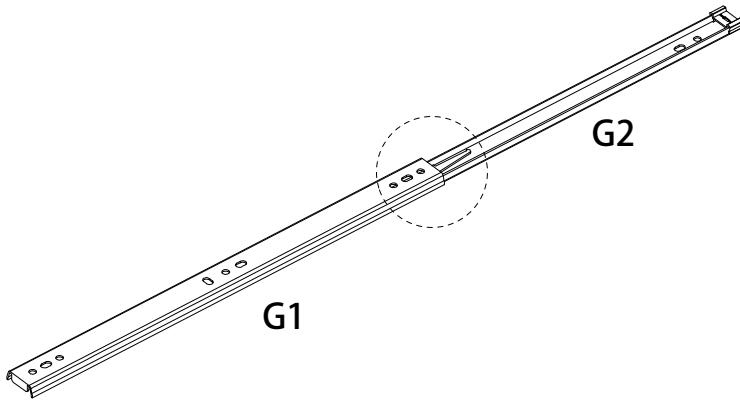
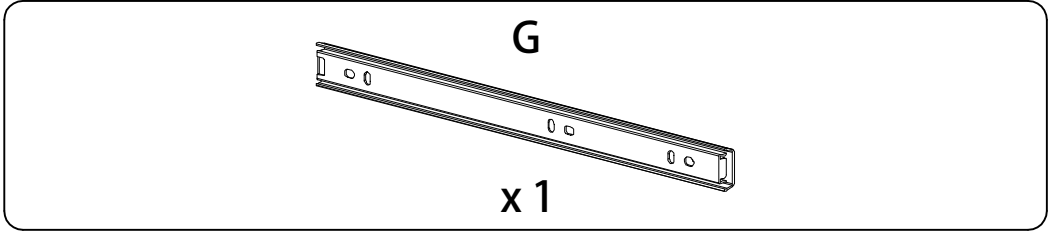
x 8

J

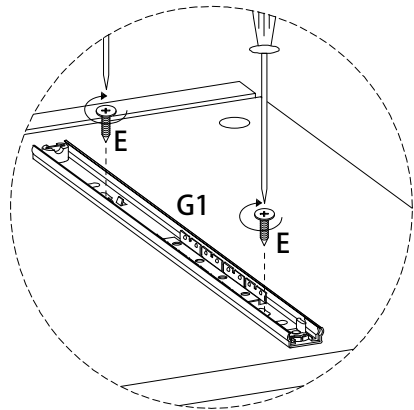
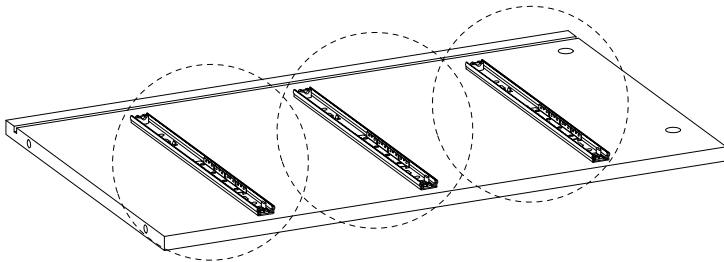
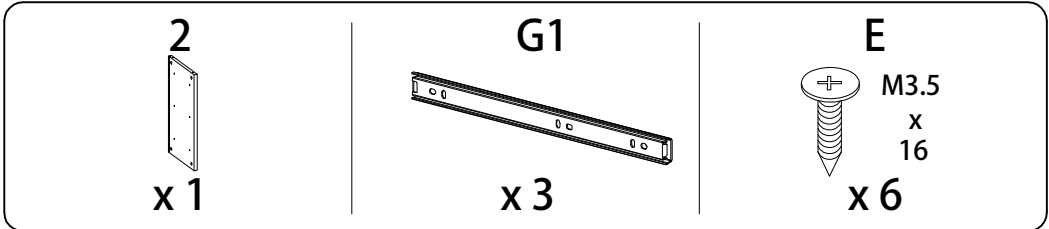


x 1

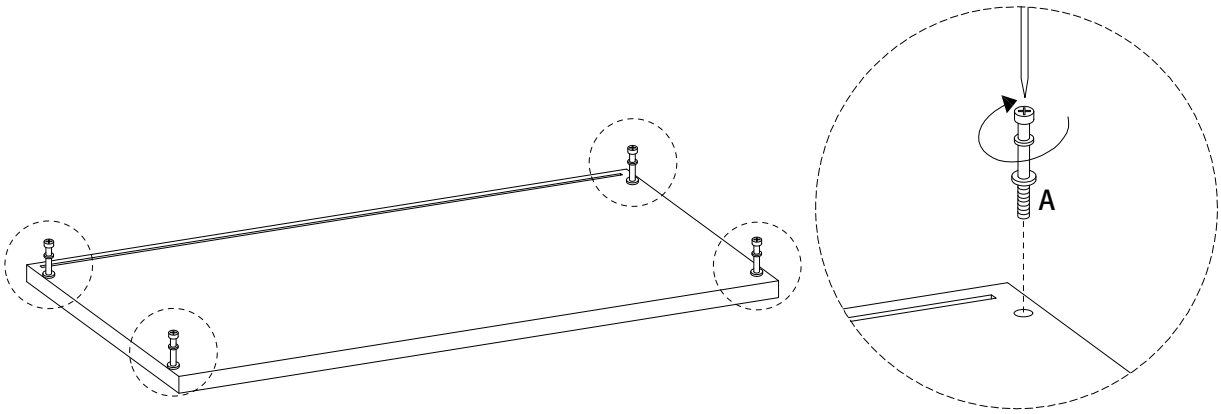
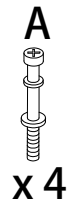
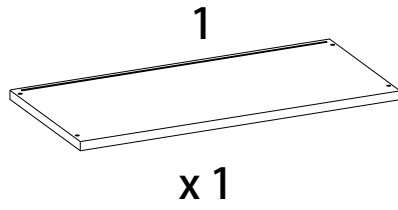
1 x6



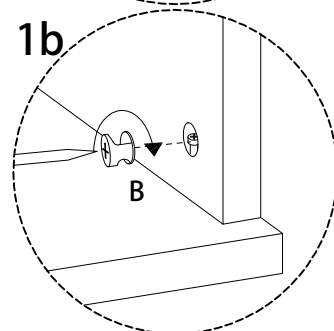
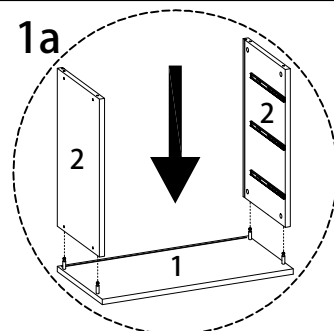
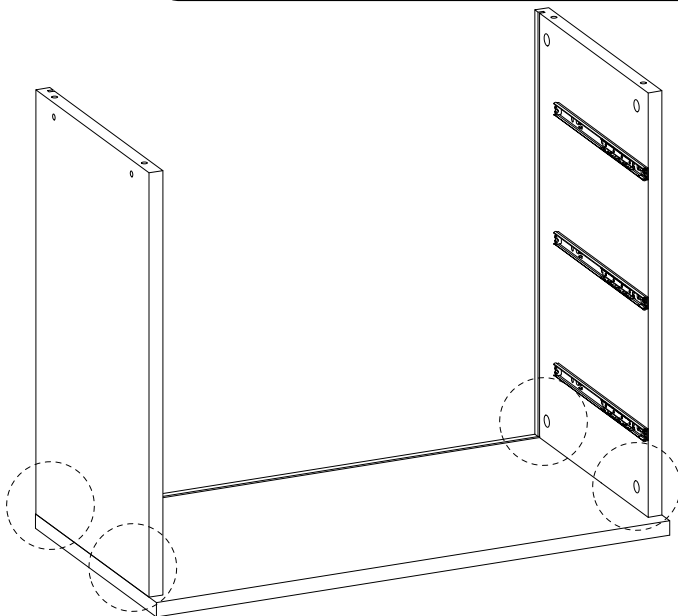
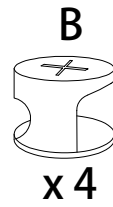
2 x2



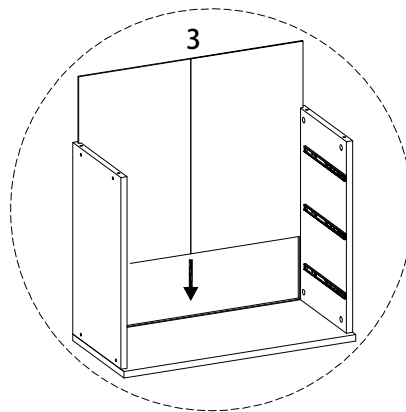
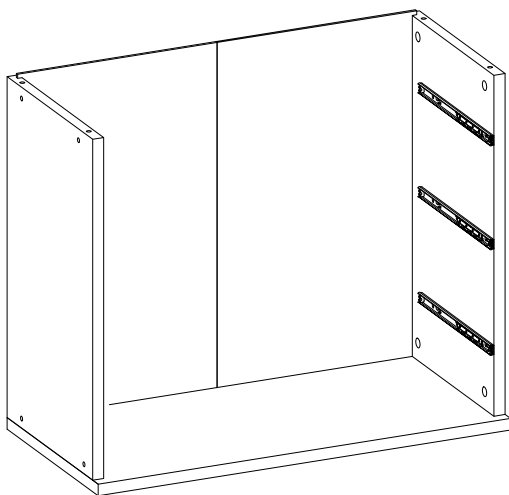
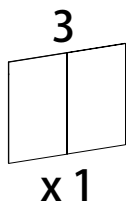
3 x 2



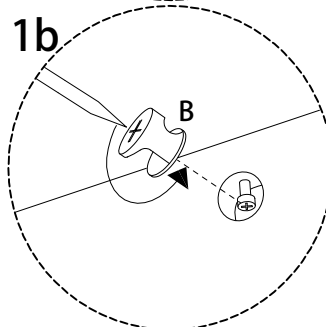
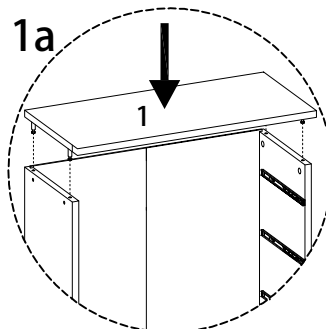
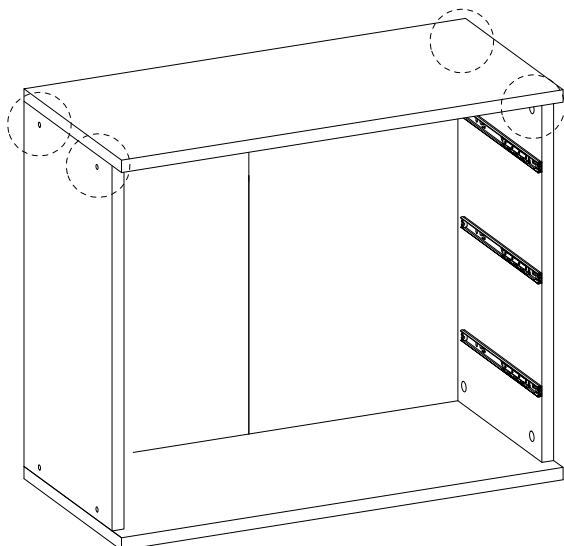
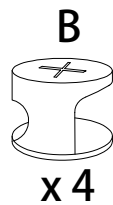
4



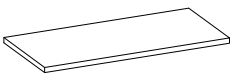

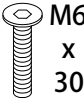
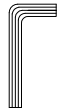
5

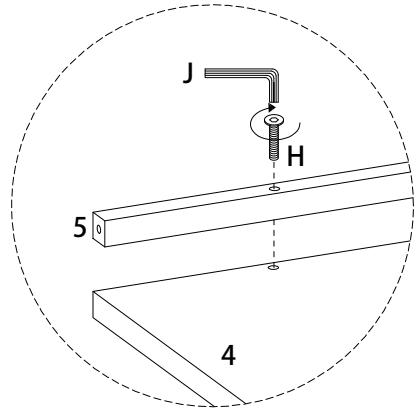
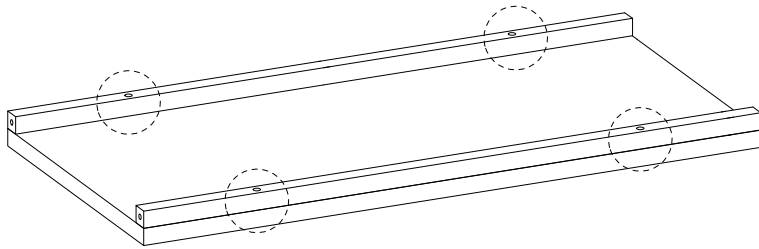


6


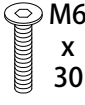
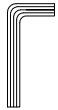


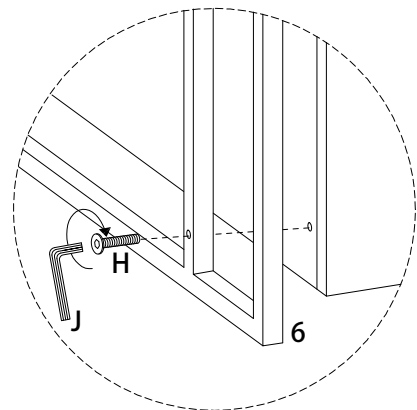
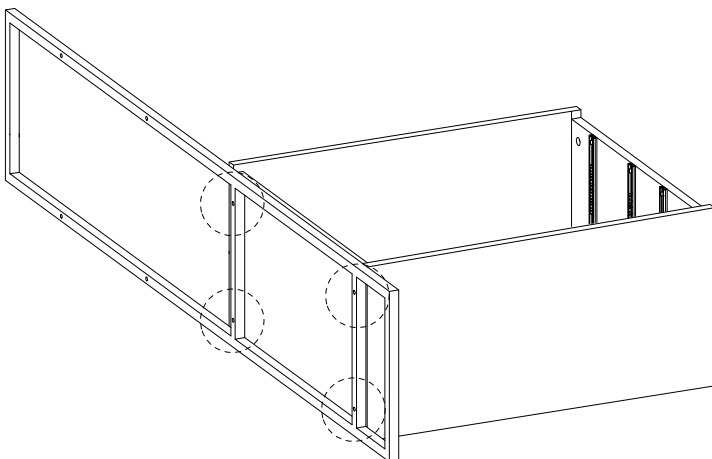
7 x2

<p>4</p>  <p>x 1</p>	<p>5</p>  <p>x 2</p>	<p>H</p>  <p>M6 x 30 x 4</p>	<p>J</p>  <p>x 1</p>
---	---	--	---

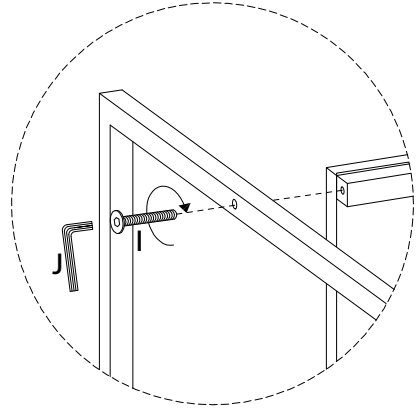
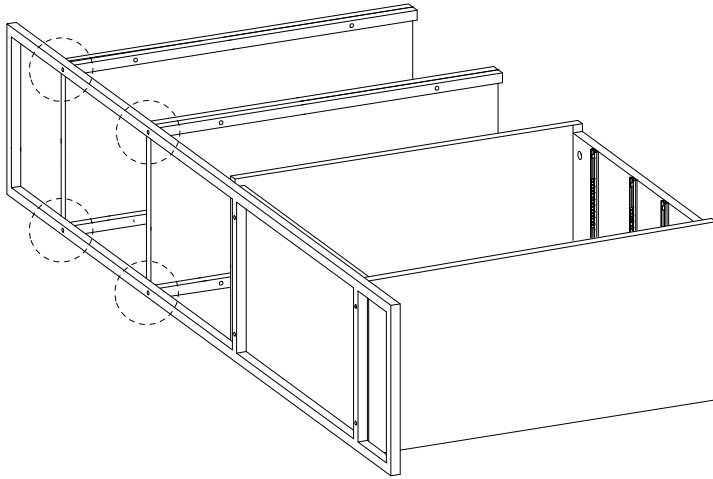
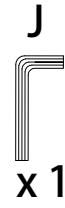
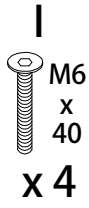


8

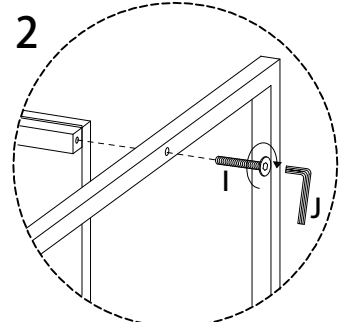
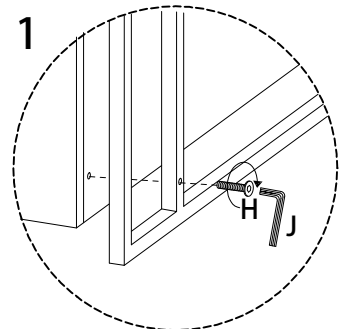
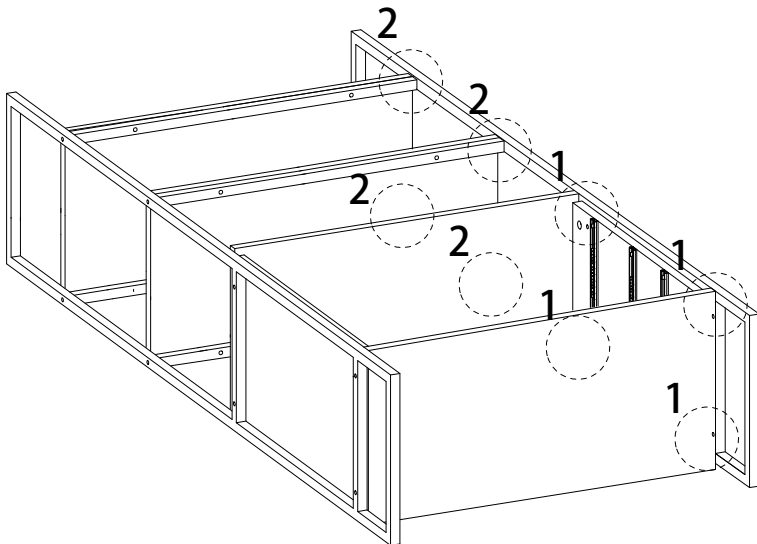
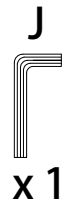
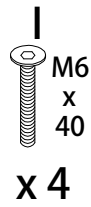
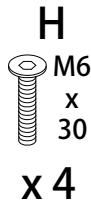
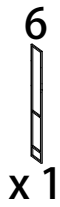
<p>6</p>  <p>x 1</p>	<p>H</p>  <p>M6 x 30 x 4</p>	<p>J</p>  <p>x 1</p>
---	---	---



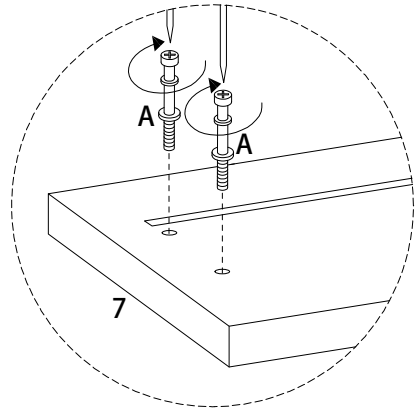
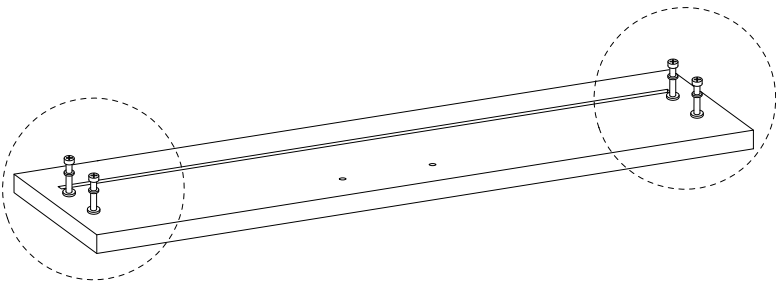
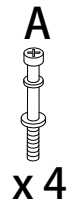
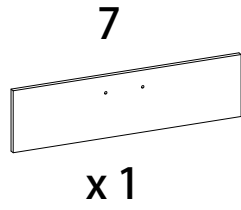
9



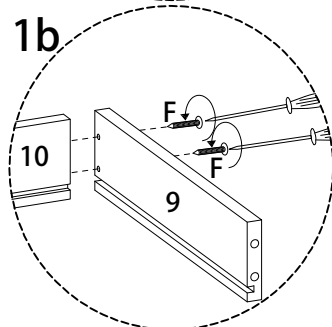
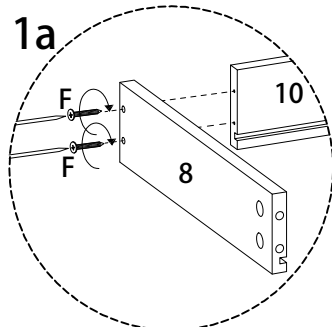
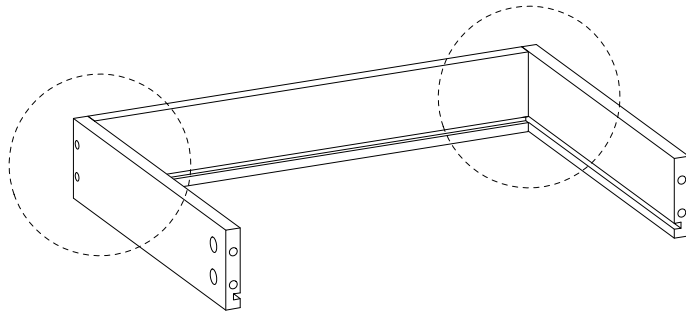
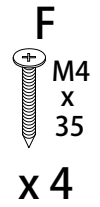
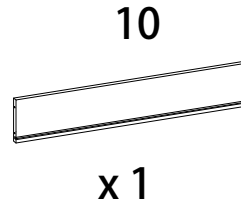
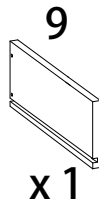
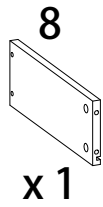
10



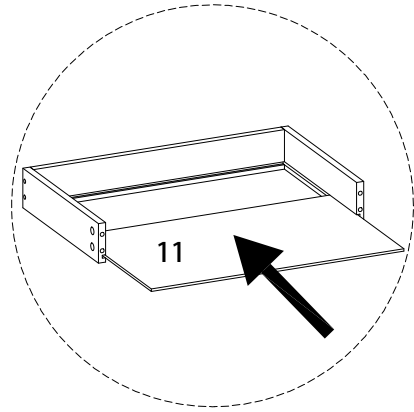
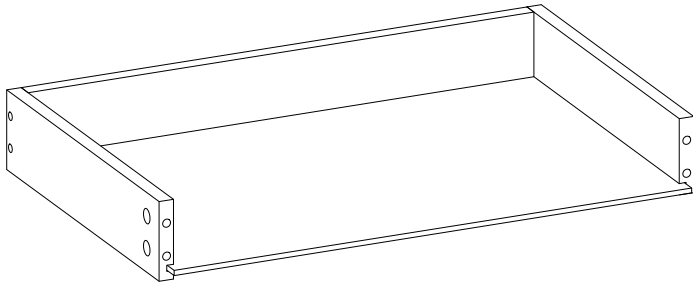
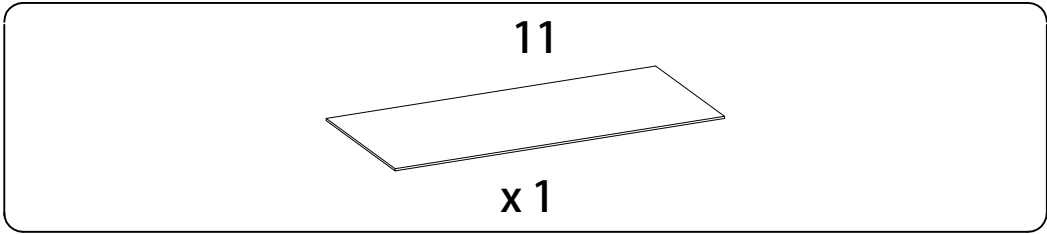
11 x3



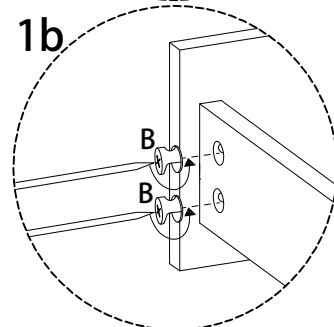
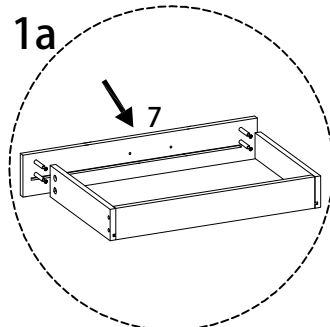
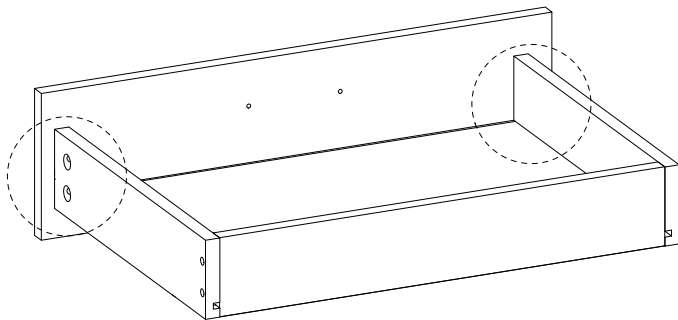
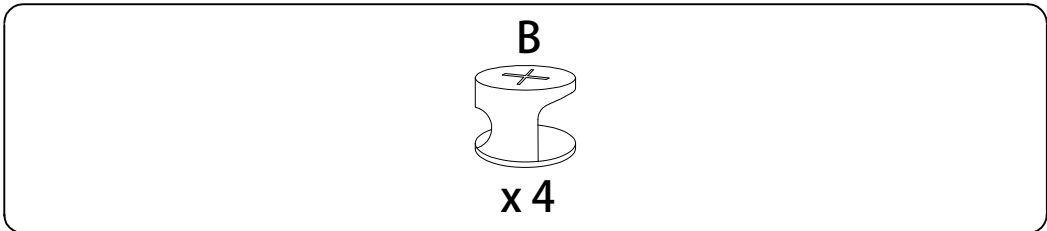
12 x3



13 x3

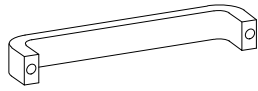


14 x2



15 x3

C

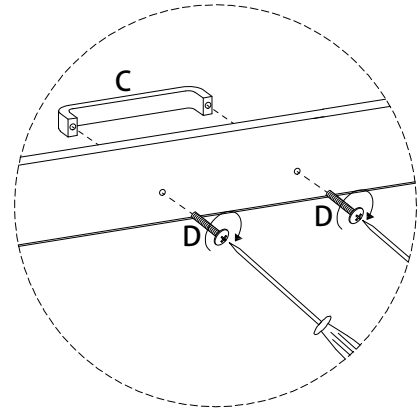
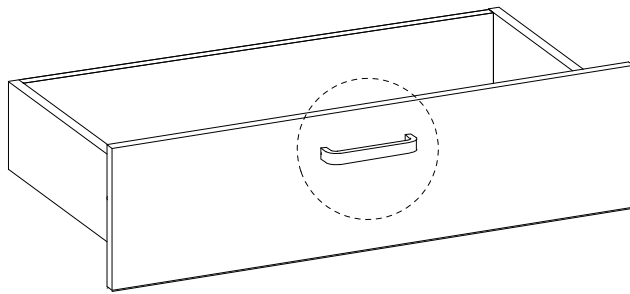


x 1

D

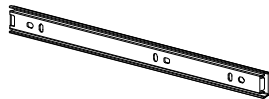


x 2



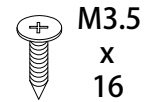
16 x3

G2

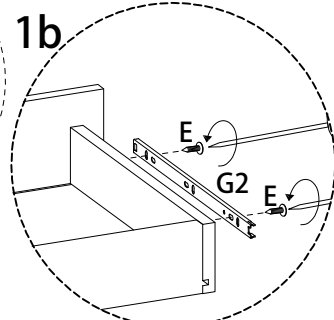
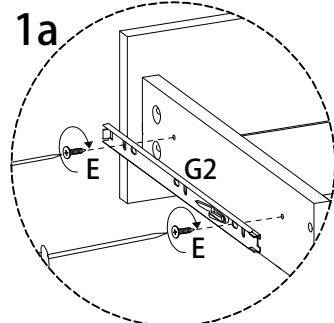
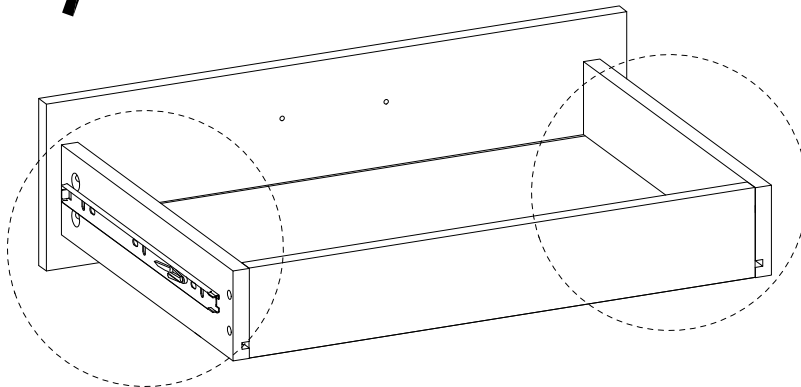
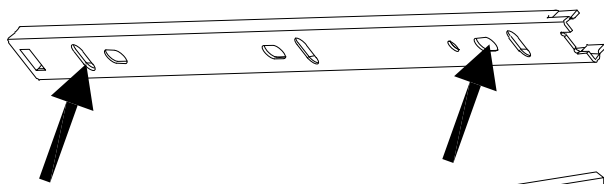


x 2

E



x 4



17

