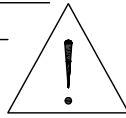
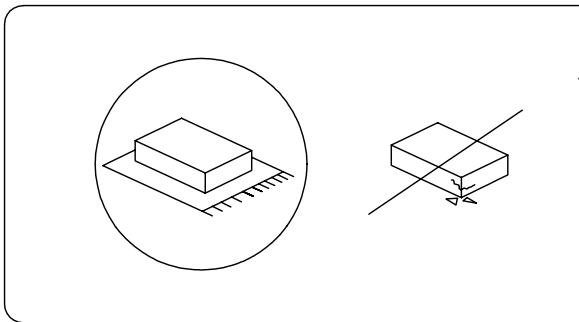
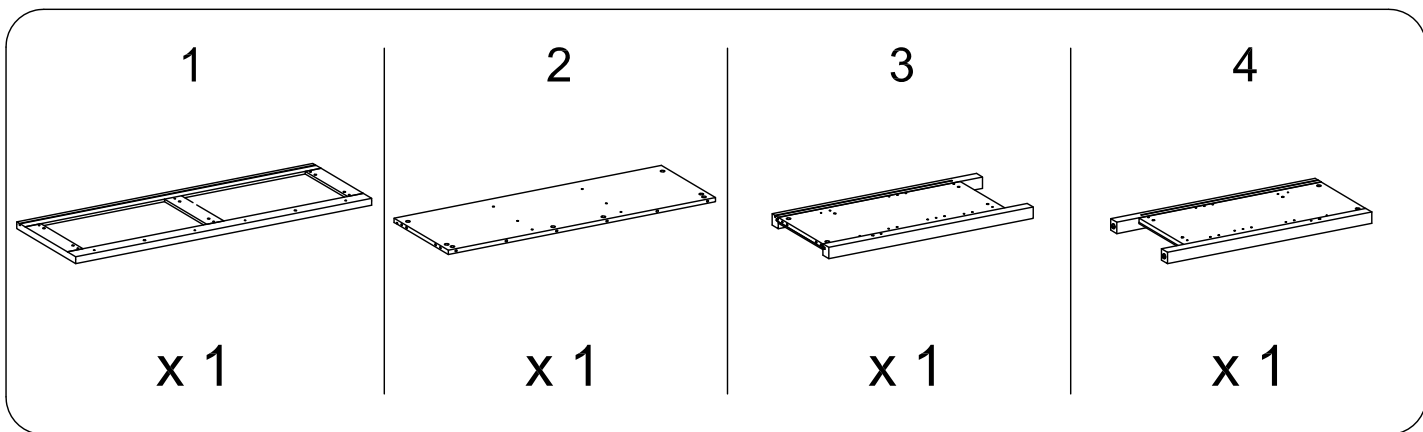
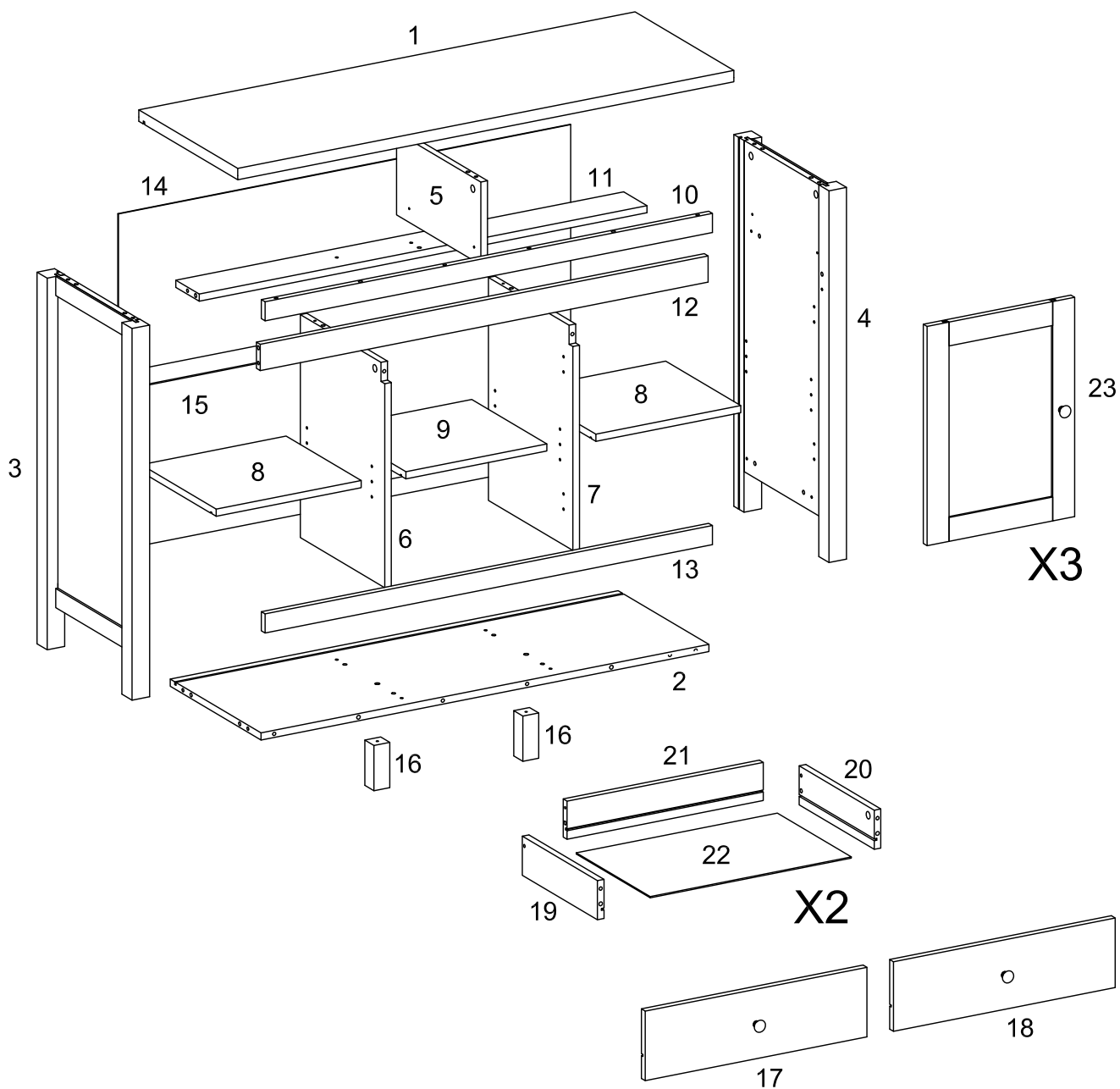


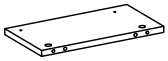
90'



2

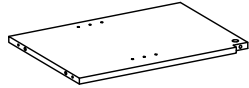


5



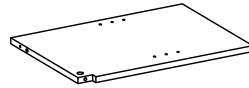
x 1

6



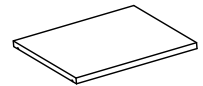
x 1

7



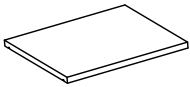
x 1

8



x 2

9



x 1

10



x 1

11



x 1

12



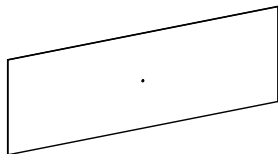
x 1

13



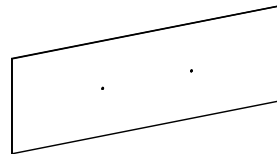
x 1

14



x 1

15



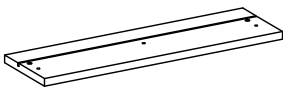
x 1

16



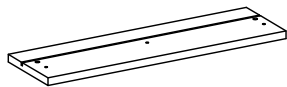
x 2

17



x 1

18



x 1

19



x 2

20



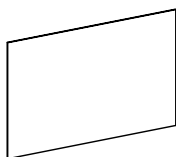
x 2

21



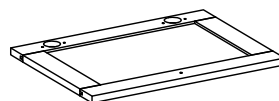
x 2

22



x 2

23



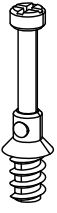
x 3

A



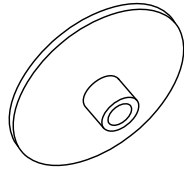
x 28

B



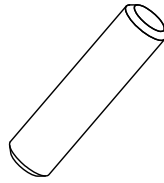
x 28

C



x 20

D



x 33

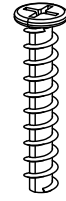
E



M6  
x  
12

x 8

F



M10  
x  
33.5

x 13

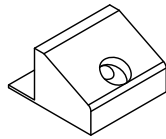
G



M4  
x  
19

x 16

H



x 16

I



x 1

J



M6  
x  
8

x 8

K



M4  
x  
10

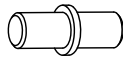
x 15

L



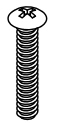
x 1

M



x 12

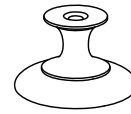
N



M4  
x  
20

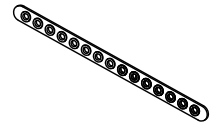
x 5

O



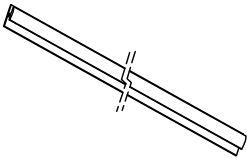
x 5

P



x 1

Q



x 1

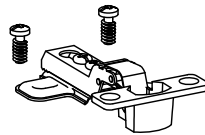
R



M3  
x  
12

x 5

S



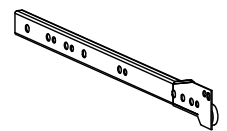
x 2

T



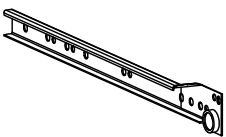
x 4

U1



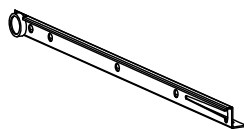
x 2

U2



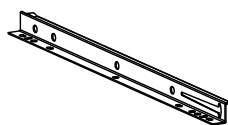
x 2

U3



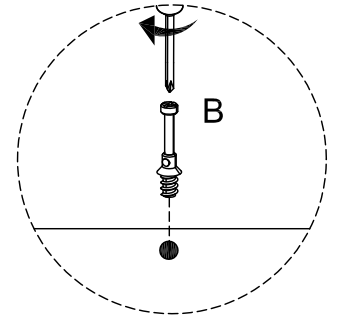
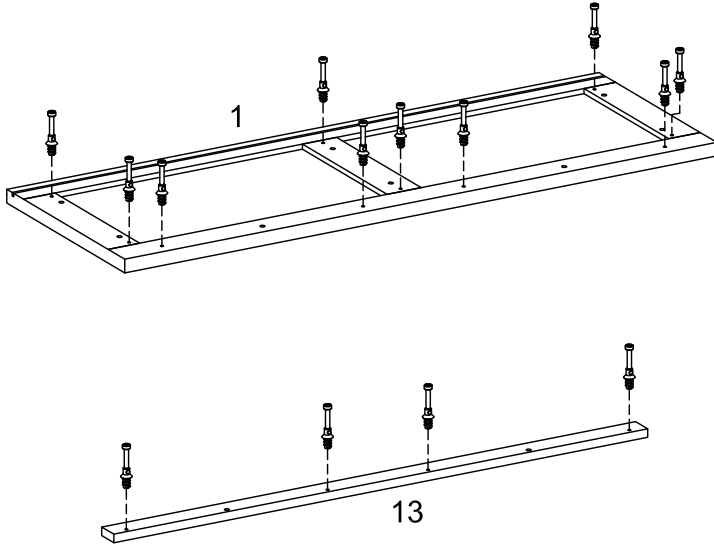
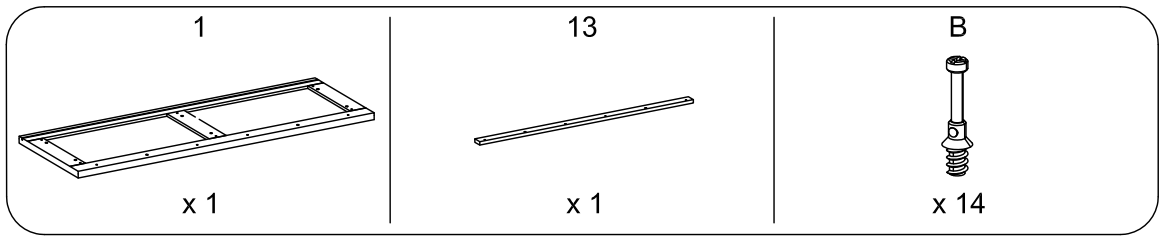
x 2

U4

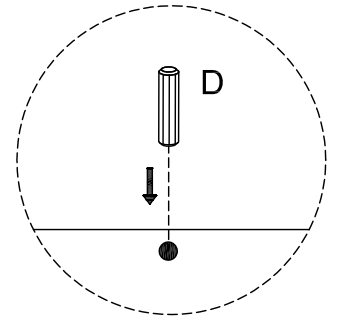
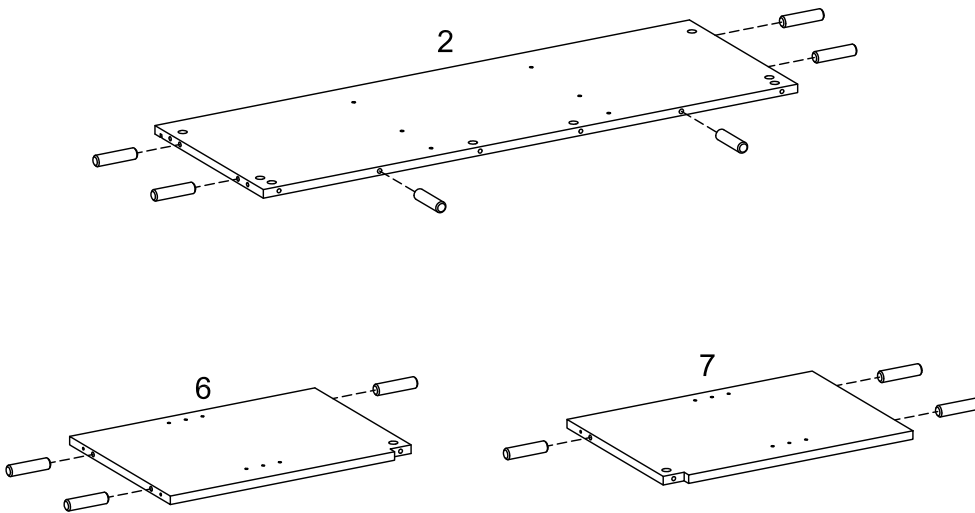
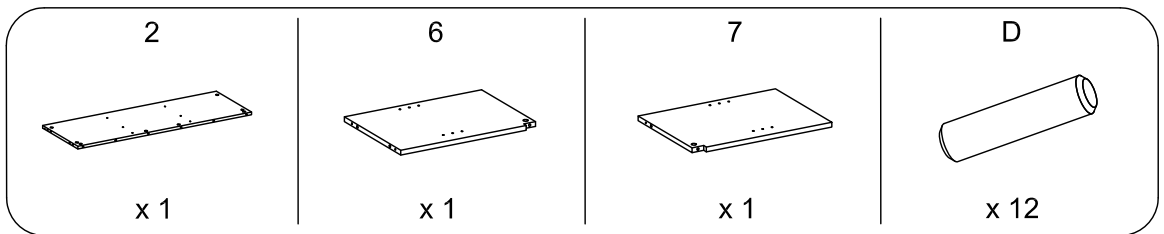


x 2




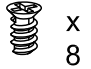
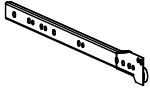
# 1

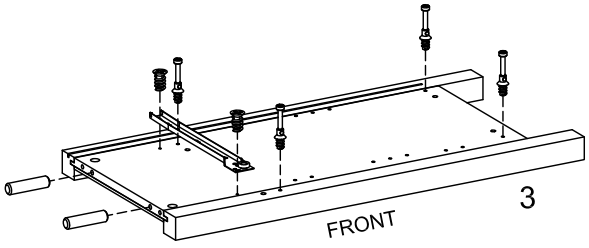
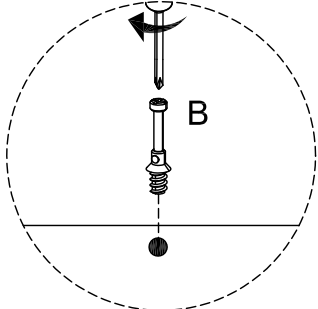
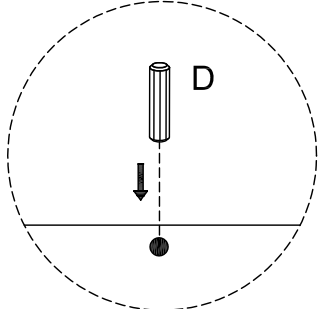
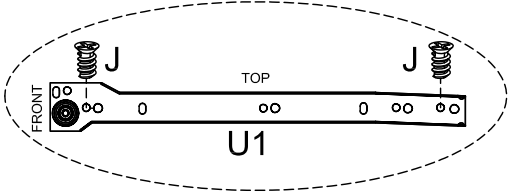


# 2





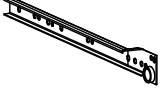


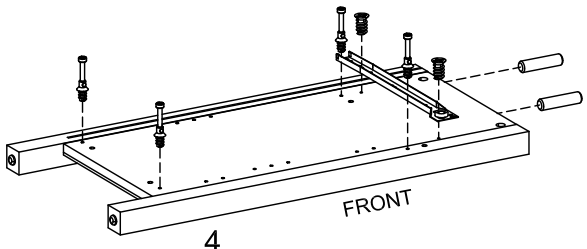
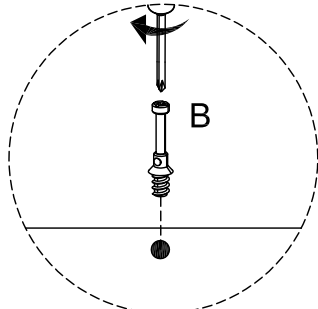
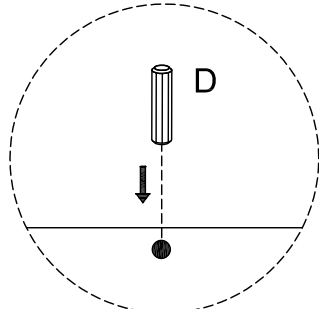
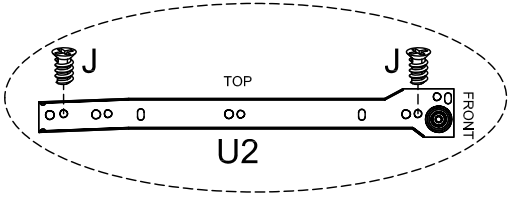
# 3

 3 x 1	 B x 4	 D x 2	 J M6 x 8 x 2	 U1 x 1
---	---	---	--	--


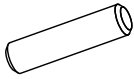

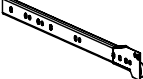



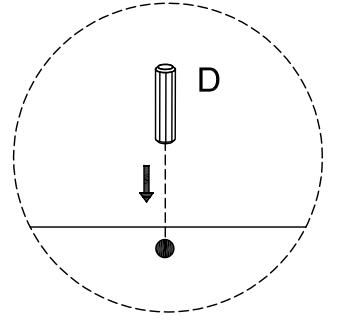
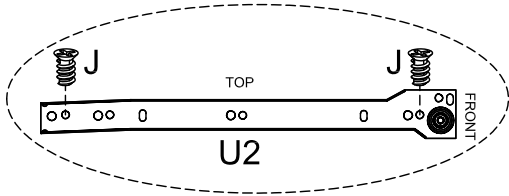
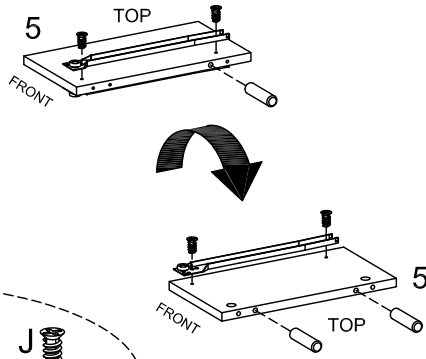
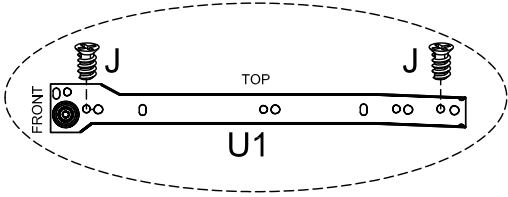
# 4

 4 x 1	 B x 4	 D x 2	 J M6 x 8 x 2	 U2 x 1
---	---	---	--	--


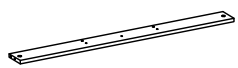



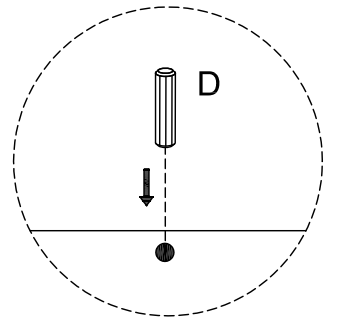
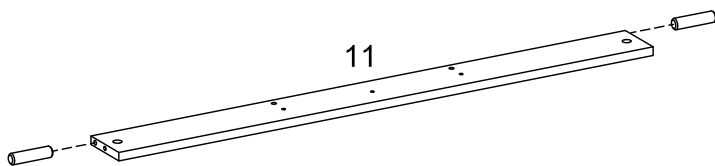
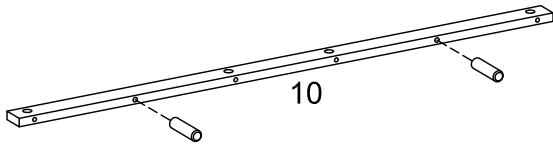
# 5

5	D	J M6 x 8	U1	U2
				
x 1	x 3	x 4	x 1	x 1



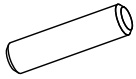





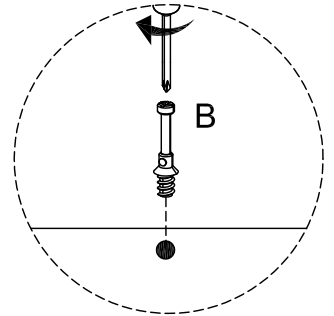
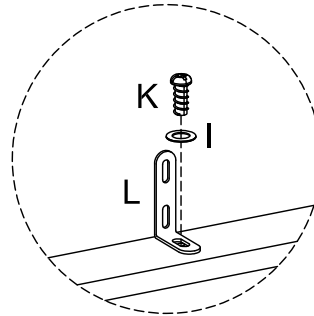
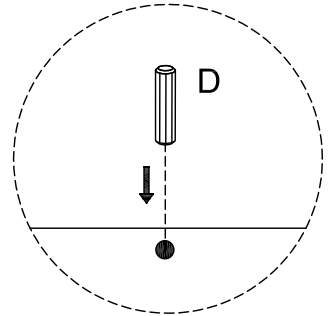
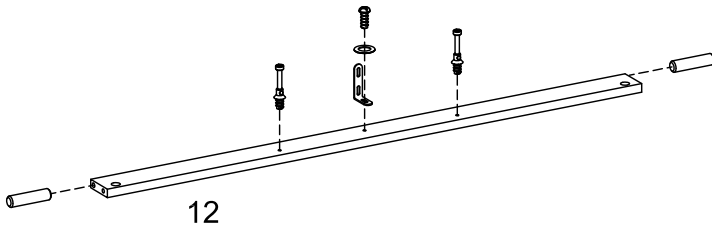
# 6

10	11	D
		
x 1	x 1	x 4




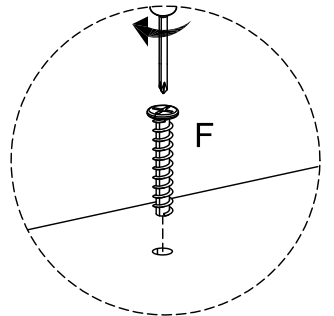
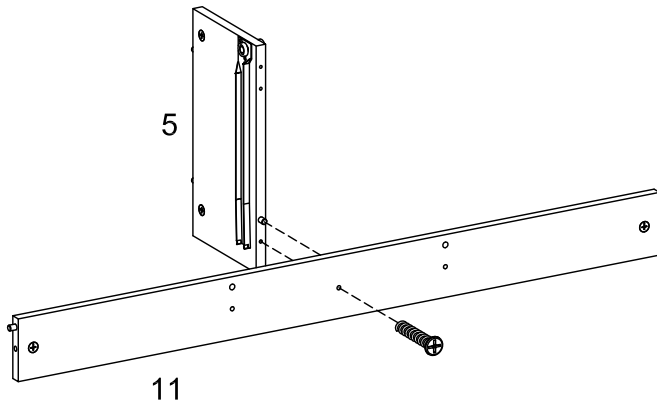
# 7

5  x 1	B  x 2	D  x 2	I  x 1	K M4 x 10  x 1	L  x 1
---	---	---	--	---	---



# 8

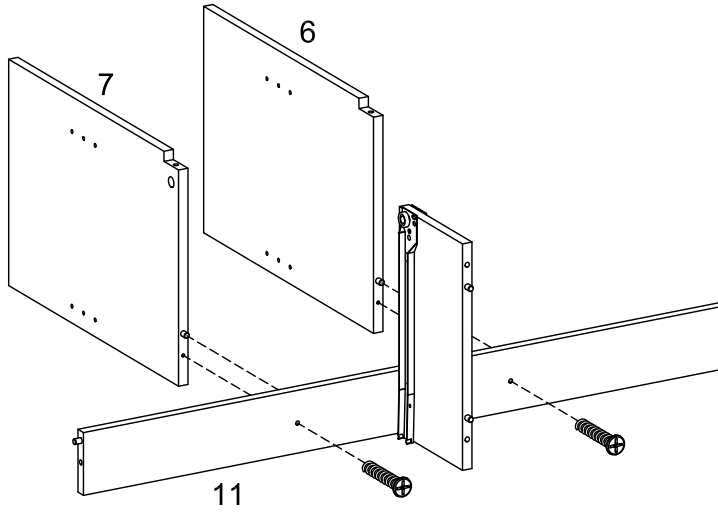
F  M10 x 33.5 x 1
--





9

F  
M10  
x  
33.5  
x 2



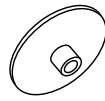
10

A



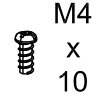
x 2

C

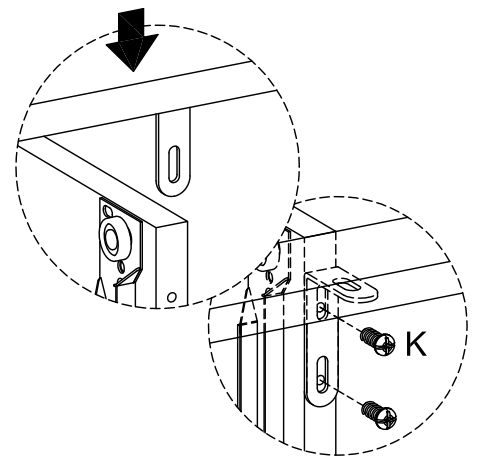
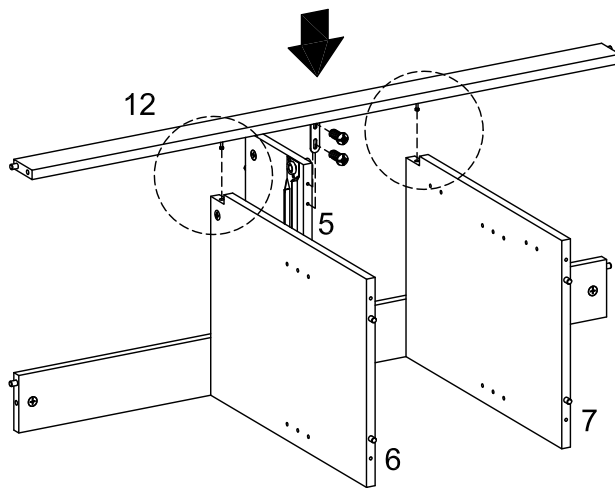
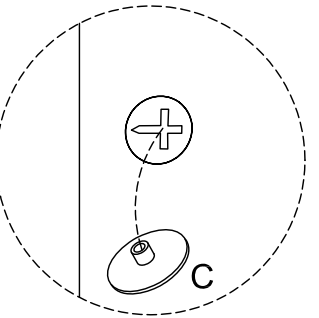
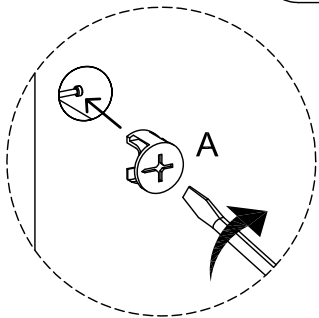


x 2



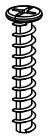
K

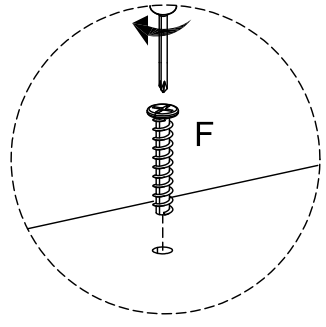
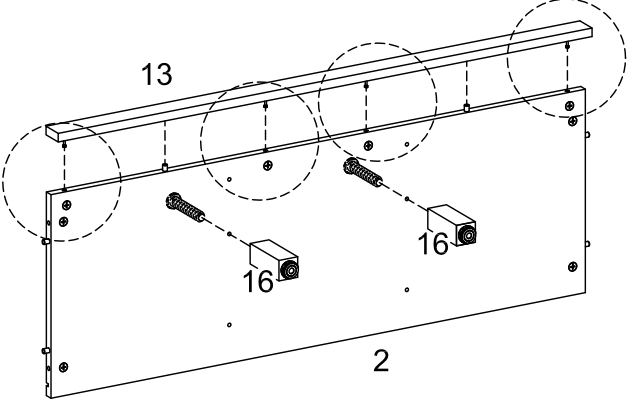
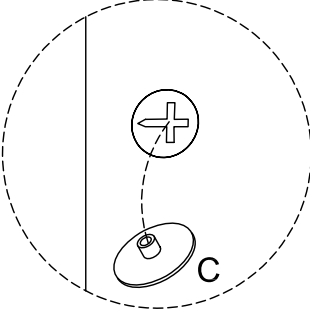
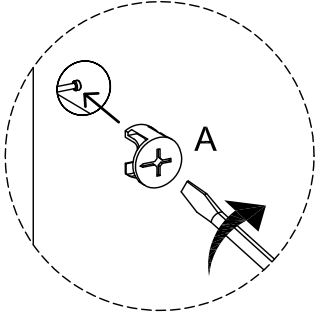


x 2




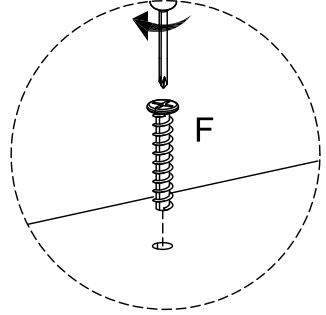
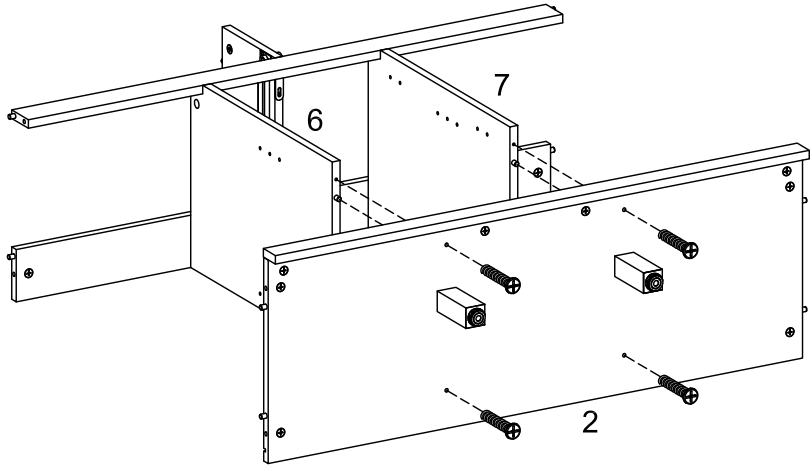
# 11

<p>A</p>  <p>x 4</p>	<p>C</p>  <p>x 4</p>	<p>F</p>  <p>M10 x 33.5</p> <p>x 2</p>
---	---	---



# 12

<p>F</p>  <p>M10 x 33.5</p> <p>x 4</p>
---



# 13

A

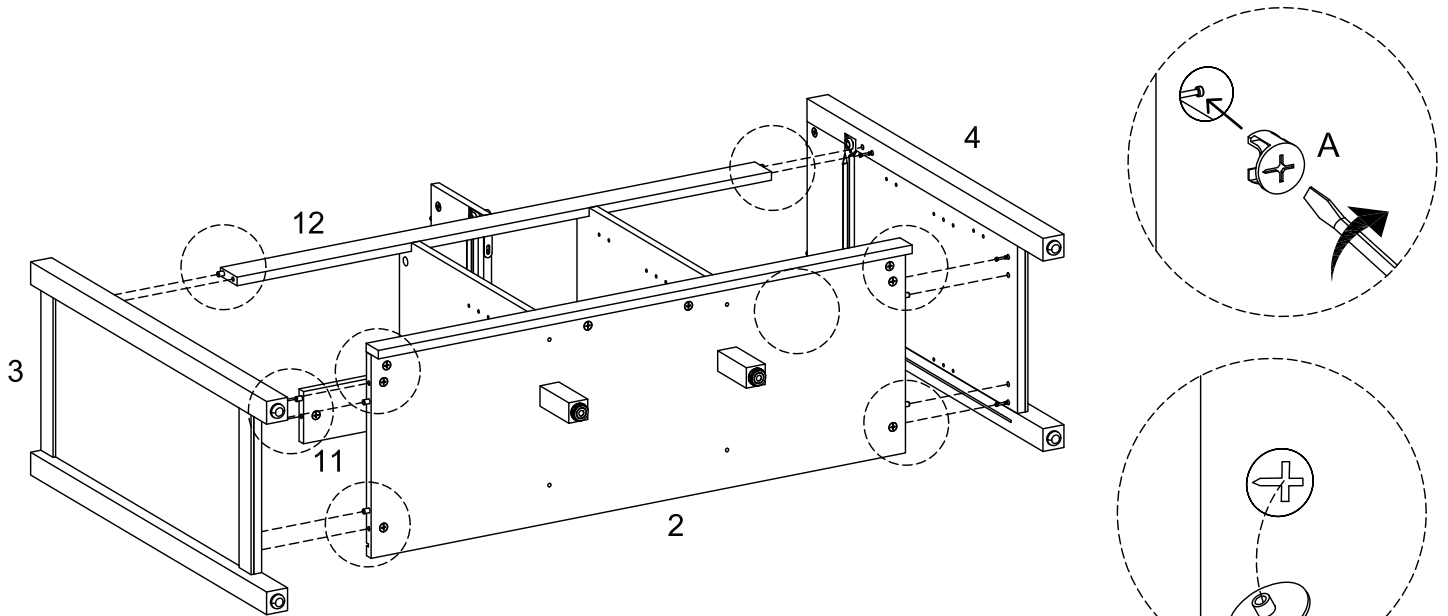


x 8

C

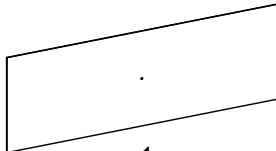


x 8



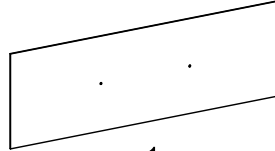
# 14

14



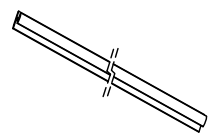
x 1

15

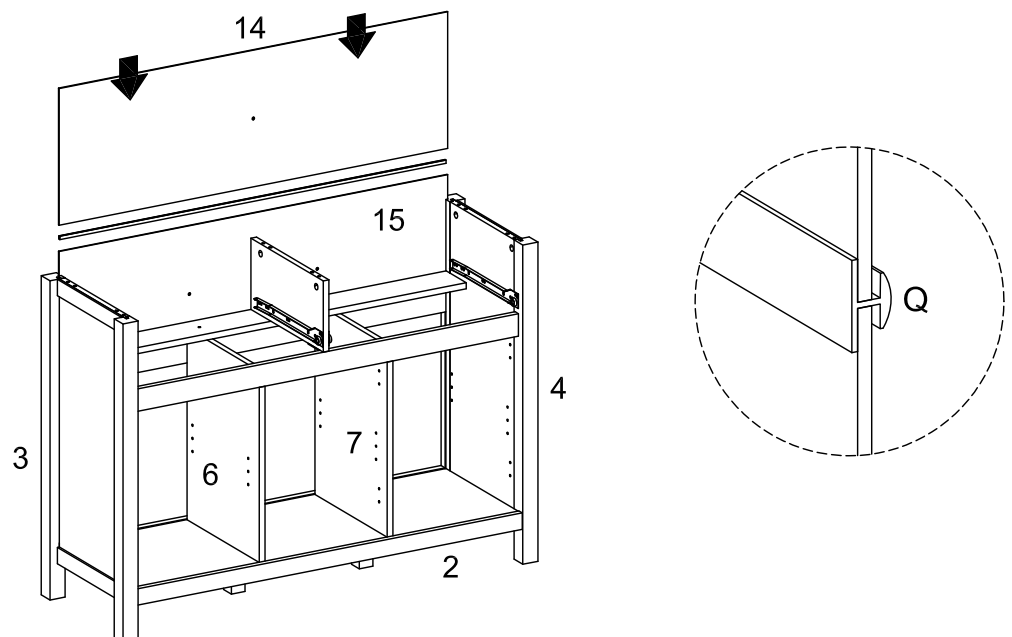


x 1

Q



x 1



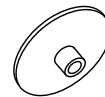
# 15

A

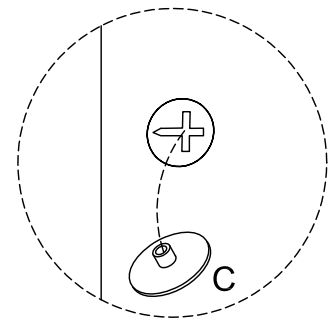
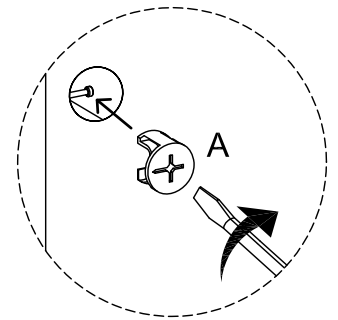
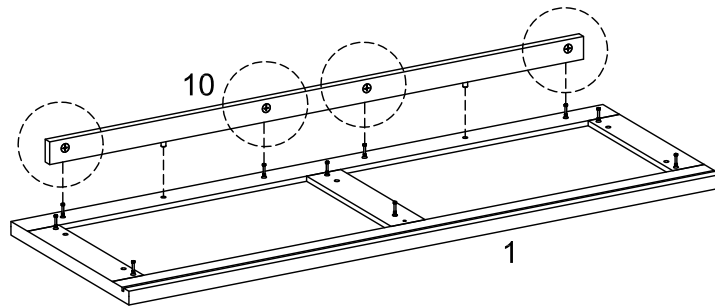


x 4

C



x 4



# 16

A

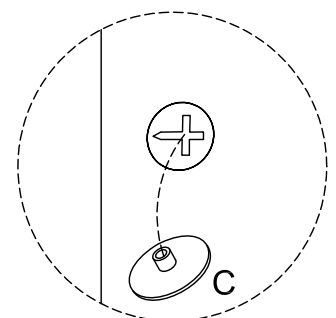
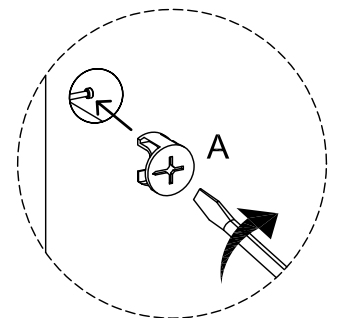
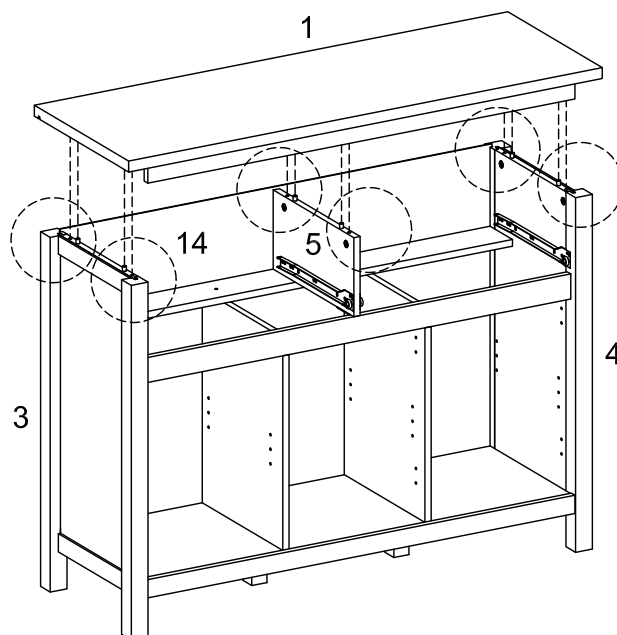


x 6


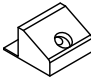


C

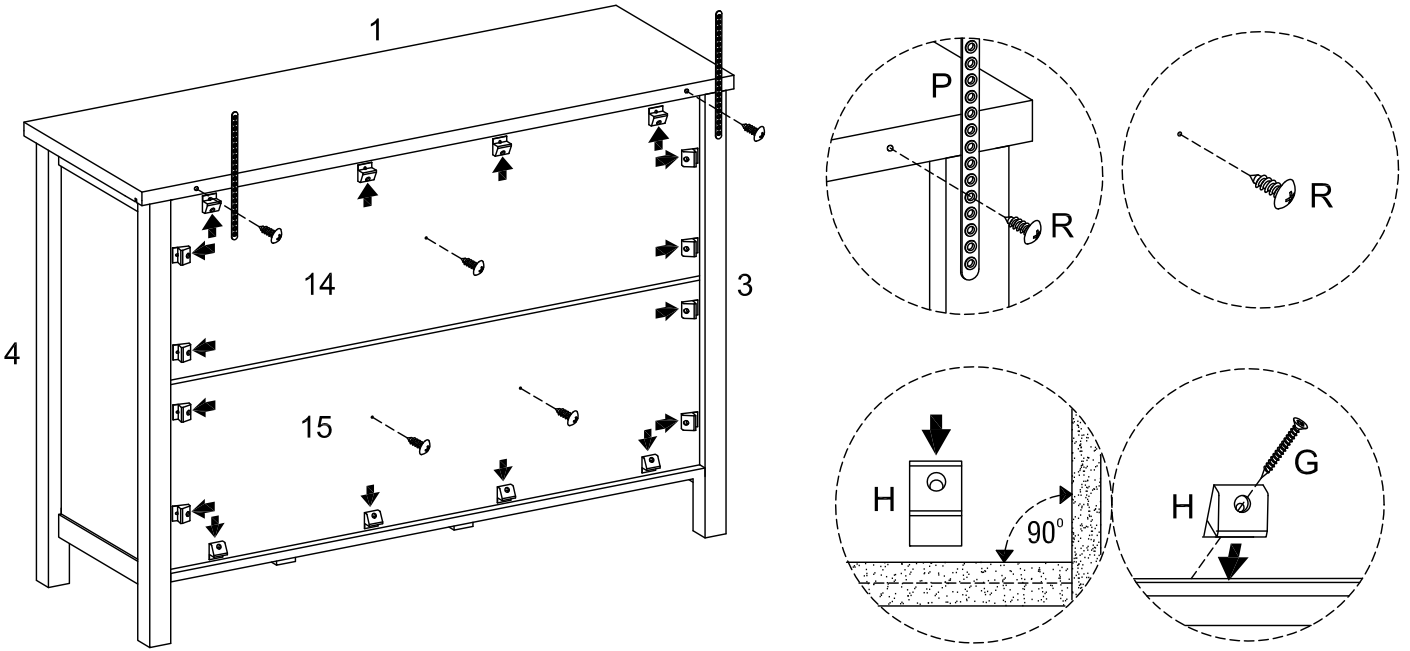


x 6

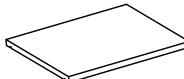
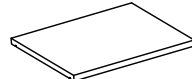
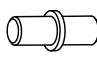


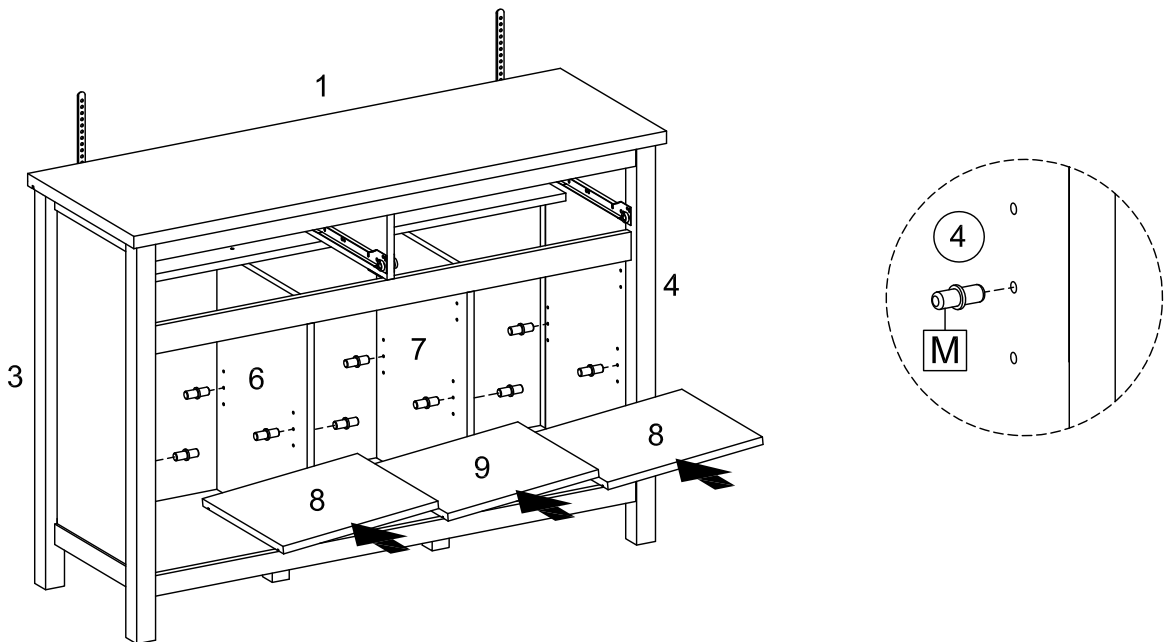
# 17

<b>G</b>  M4 x 19 x 16	<b>H</b>  x 16	<b>R</b>  x 2	<b>P</b>  M3 x 12 x 5
--	---	---	---

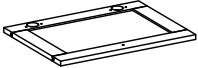






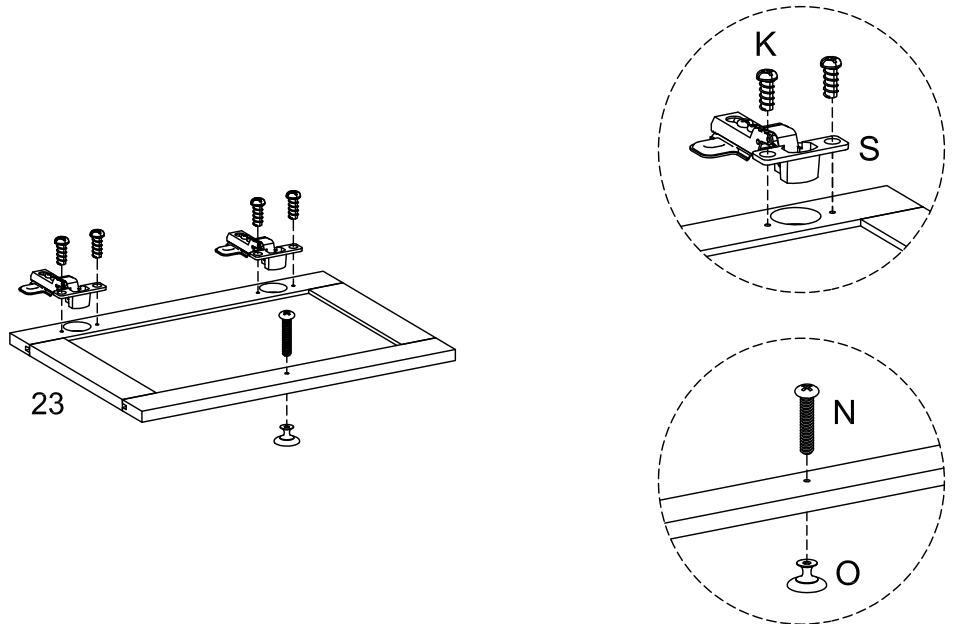
# 18

<b>8</b>  x 2	<b>9</b>  x 1	<b>M</b>  x 12
--	--	---

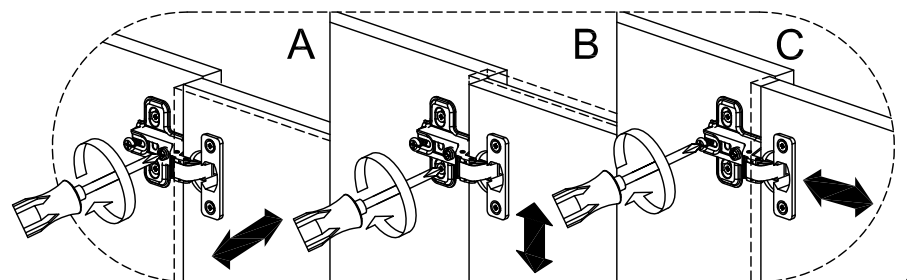
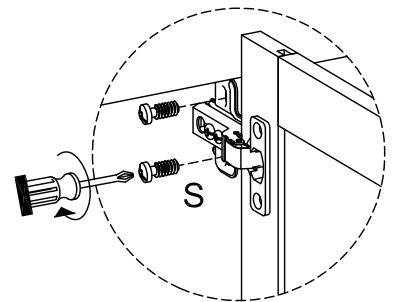
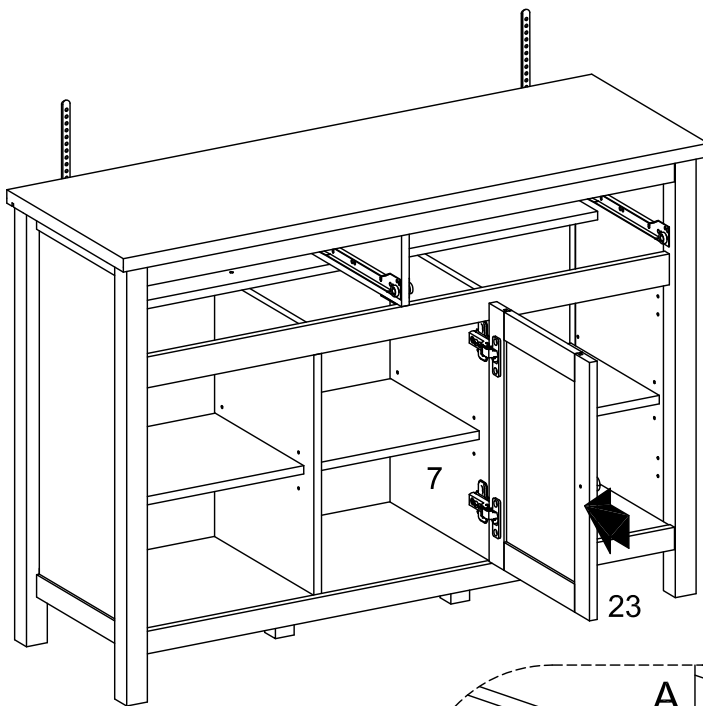


# 19

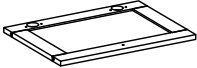




23  x 1	K M4 x 10  x 4	N M4 x 20  x 1	O  x 1	S  x 2
--	---	---	---	---

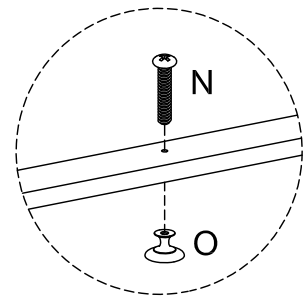
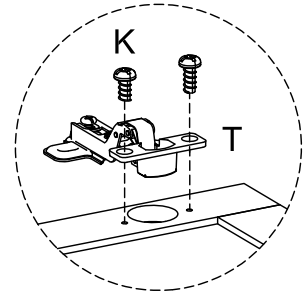
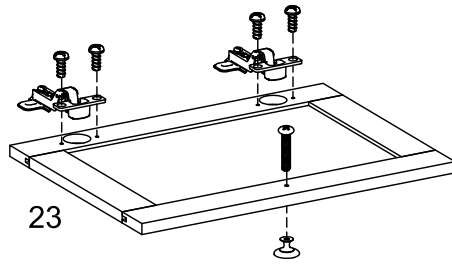


# 20

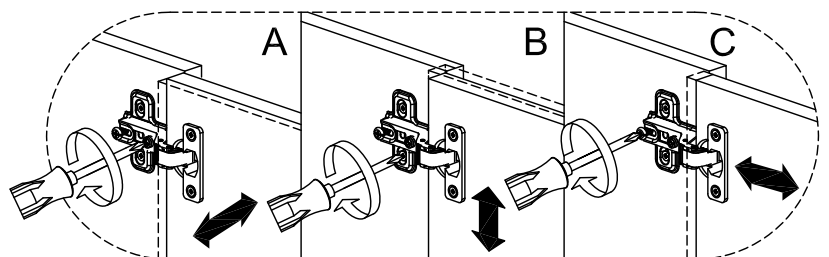
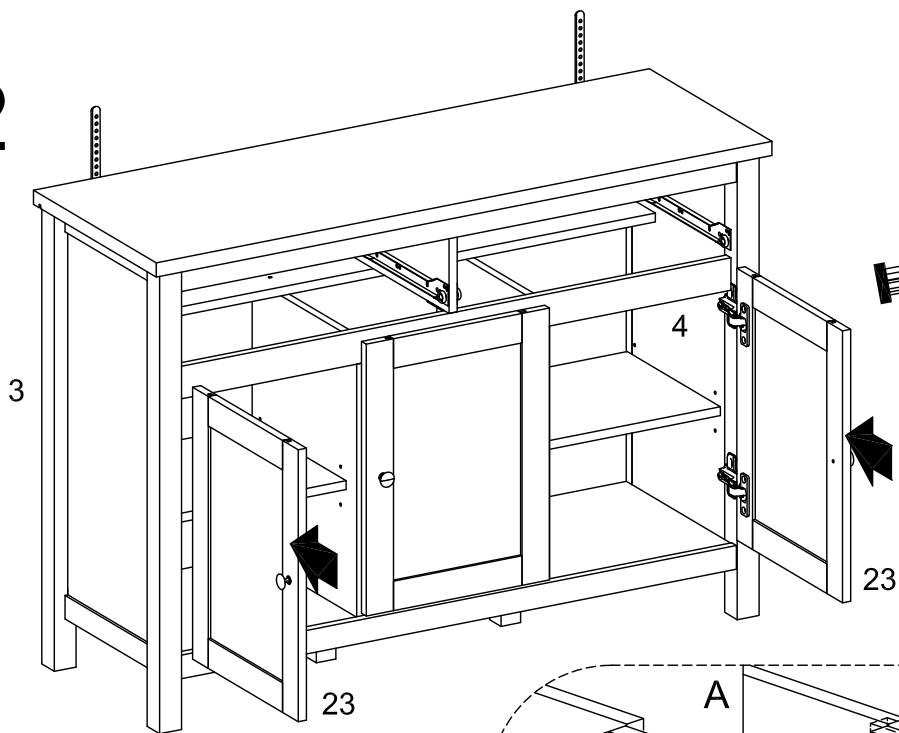


# 21 x 2

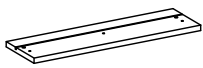
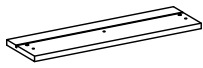



23	K	N	O	T
	M4 x 10 	M4 x 20 		
x 1	x 4	x 1	x 1	x 2

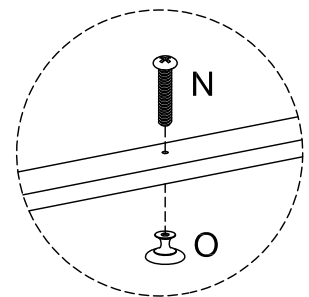
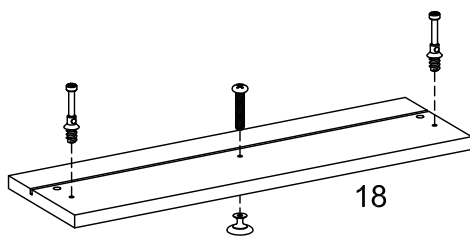
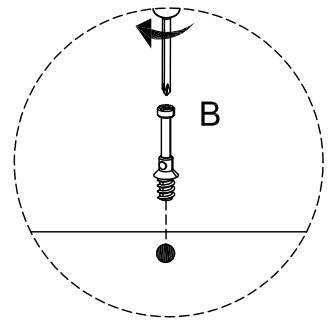
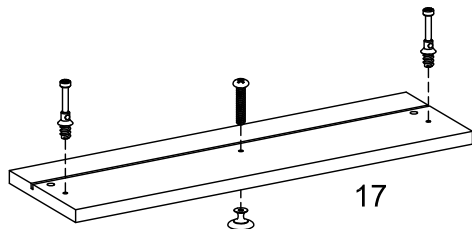


# 22







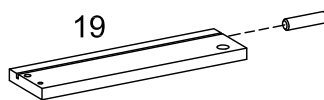
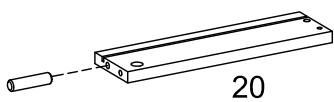
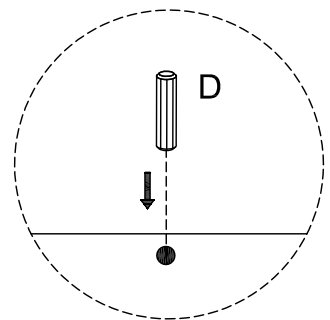
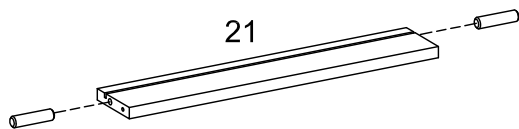
# 23

17  x 1	18  x 1	B  x 4	N  x 2	O  x 2
--	--	---	---	---



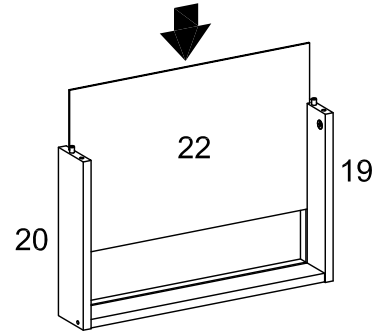
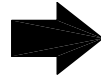
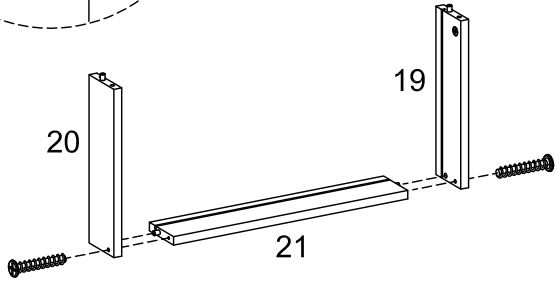
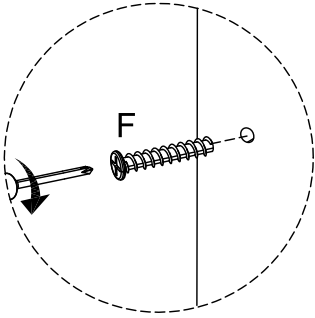
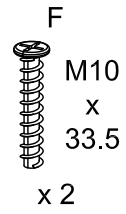
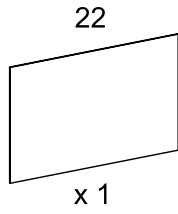
# 24 x 2

19  x 1	20  x 1	21  x 1	D  x 4
--	--	---	---

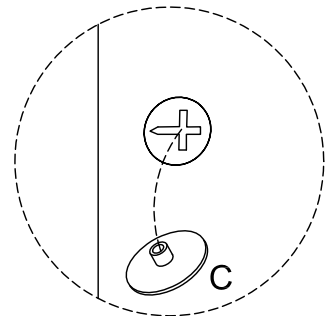
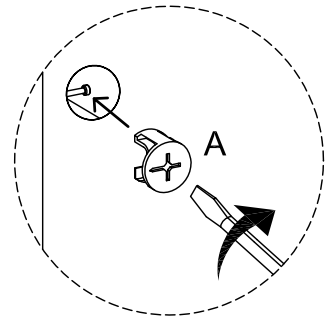
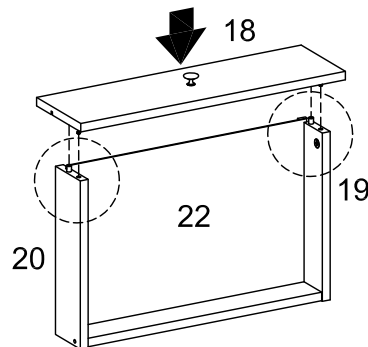
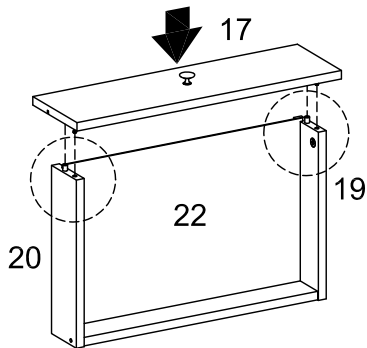
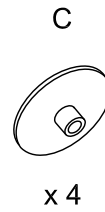





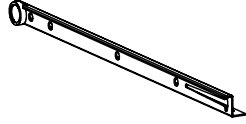
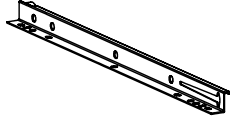
# 25 x 2

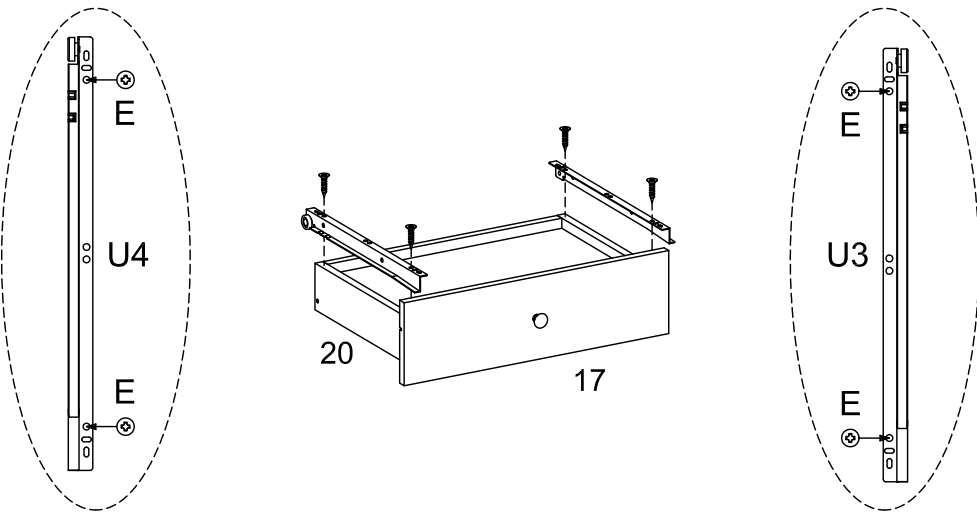


# 26


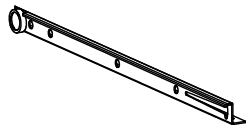
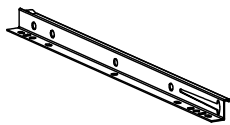


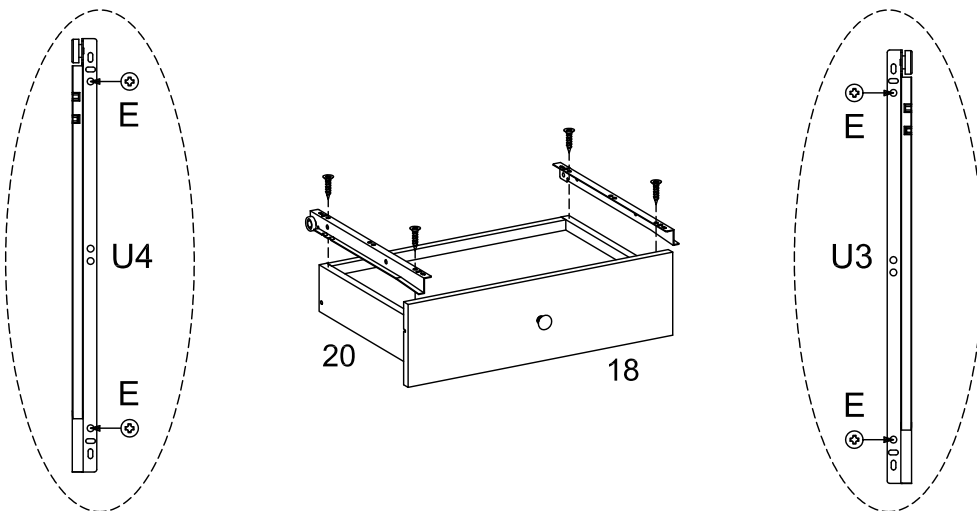
# 27

<p>E</p>  <p>M6 x 12</p> <p>x 4</p>	<p>U3</p>  <p>x 1</p>	<p>U4</p>  <p>x 1</p>
--	---	--



# 28

<p>E</p>  <p>M6 x 12</p> <p>x 4</p>	<p>U3</p>  <p>x 1</p>	<p>U4</p>  <p>x 1</p>
--	---	--



# 29

