

Assembly instructions for the cart, including tool requirements, time, and personnel.

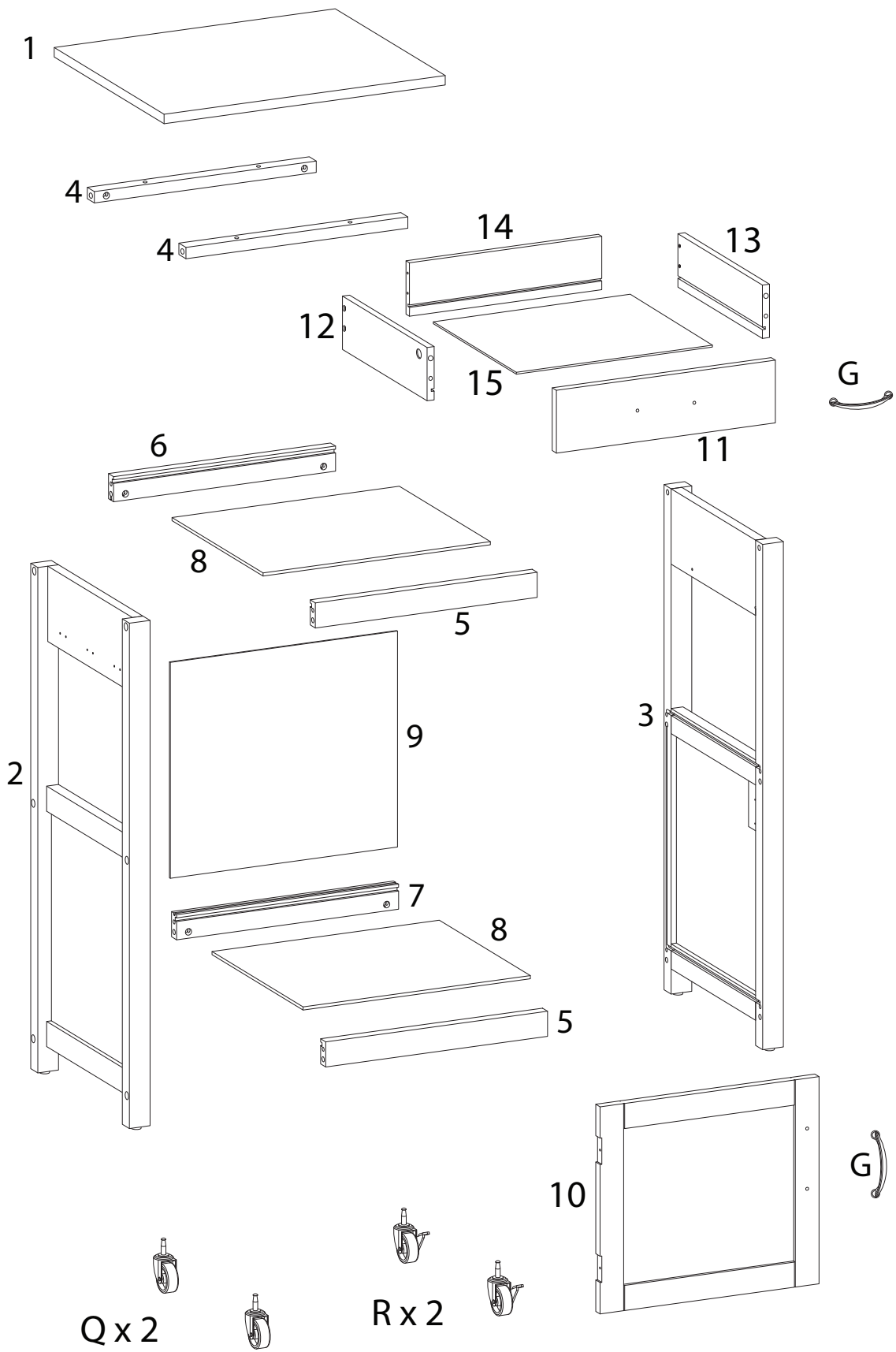
**Tools:** A circle containing a screwdriver and an Allen key, and a crossed-out power drill icon.

**Warning:** A triangle with an exclamation mark.

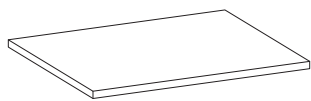
**Time:** A clock icon with the text **60'** below it.

**Personnel:** A person icon with the text **1** below it.

**Material:** A circle containing a block of material being placed on a surface, and a crossed-out block of material being lifted.

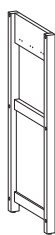


1



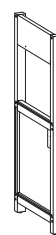
x 1

2



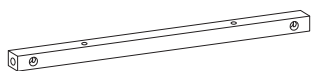
x 1

3



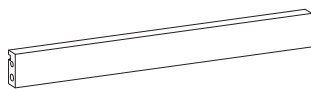
x 1

4



x 2

5



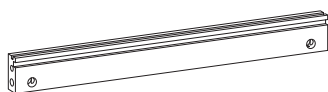
x 2

6



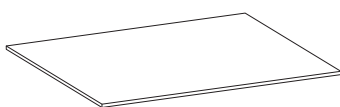
x 1

7



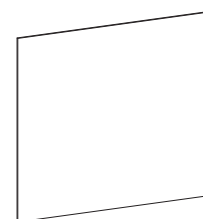
x 1

8



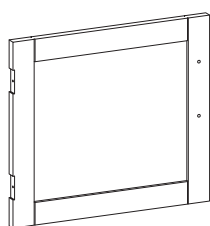
x 2

9



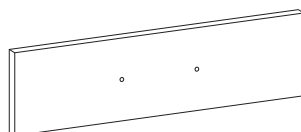
x 1

10



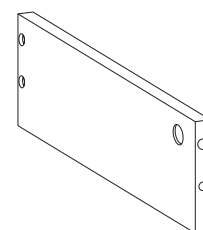
x 1

11



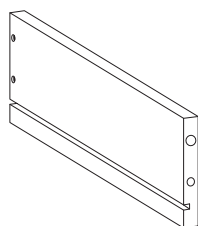
x 1

12



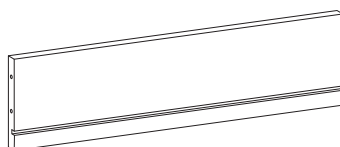
x 1

13



x 1

14



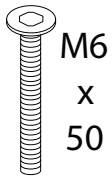
x 1

15



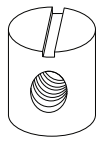
x 1

A



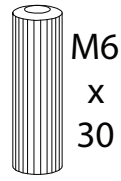
x 12

B



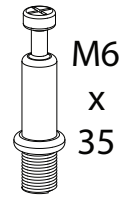
x 12

C



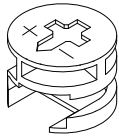
x 10

D



x 2

E



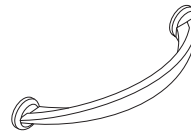
x 2

F



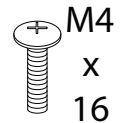
x 8

G



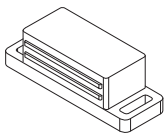
x 2

H



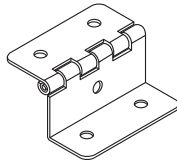
x 4

I



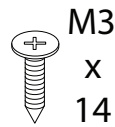
x 1

J



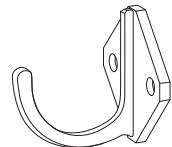
x 2

K



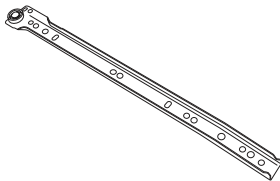
x 26

L



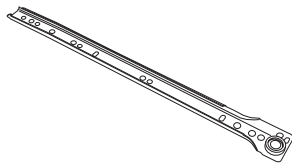
x 3

M



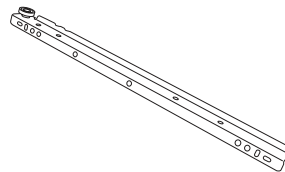
x 1

N



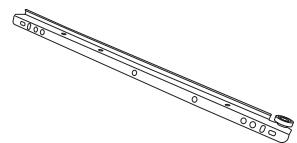
x 1

O



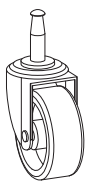
x 1

P



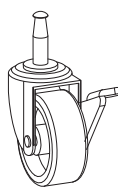
x 1

Q



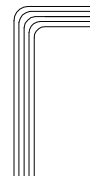
x 2

R



x 2

S



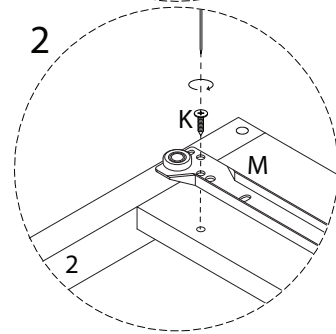
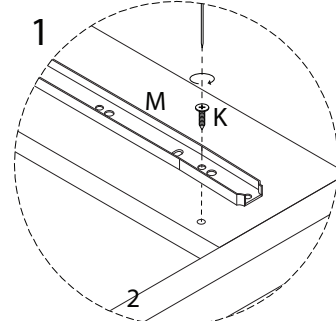
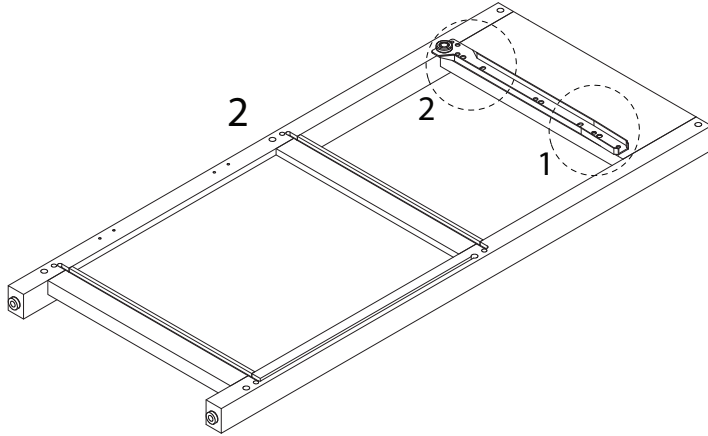
x 1

1

2  
x1

K  
M3  
x  
14  
x2

M  
x1

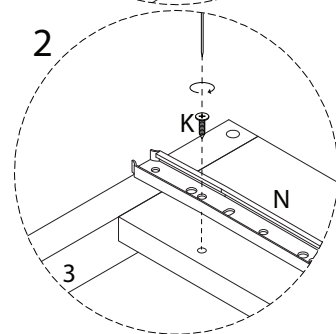
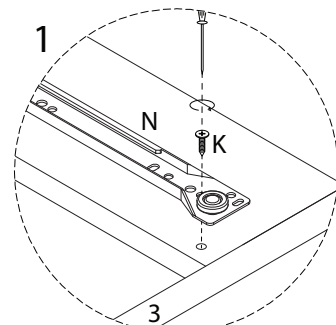
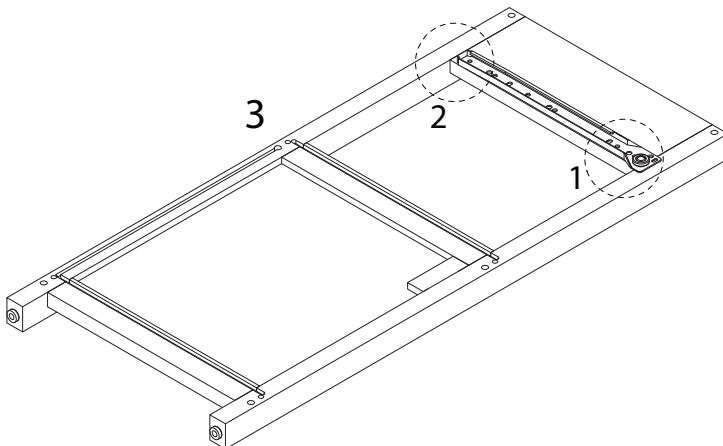


2

3  
x1

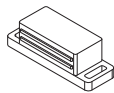
K  
M3  
x  
14  
x2

N  
x1



3

I

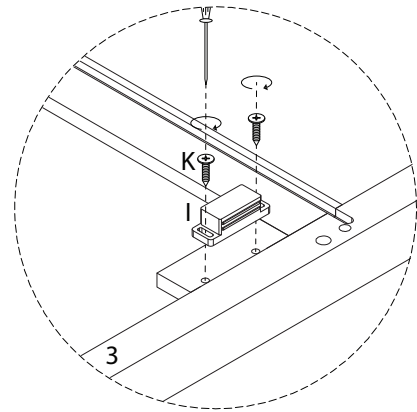
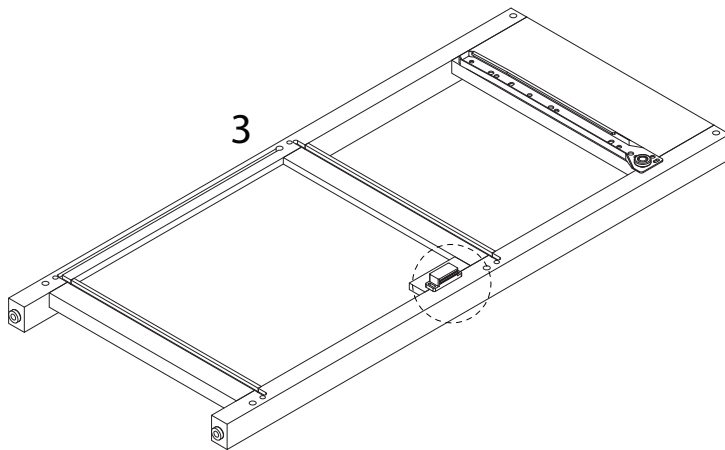


x 1

K

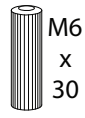


x 2

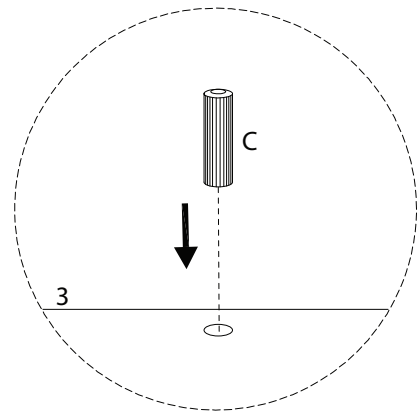
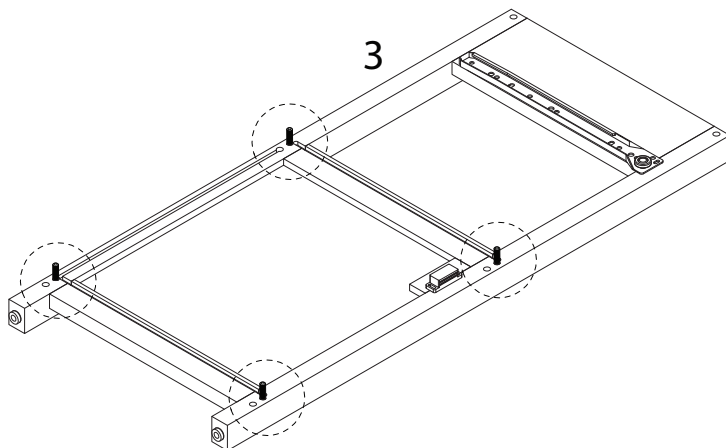


4

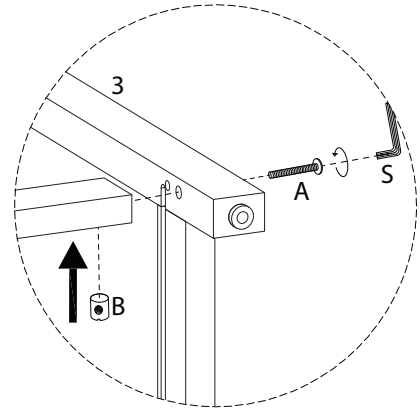
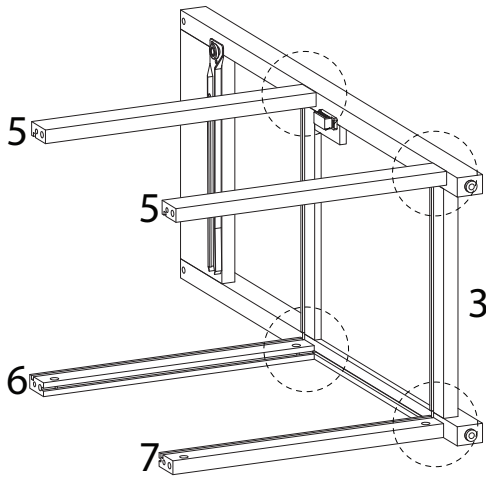
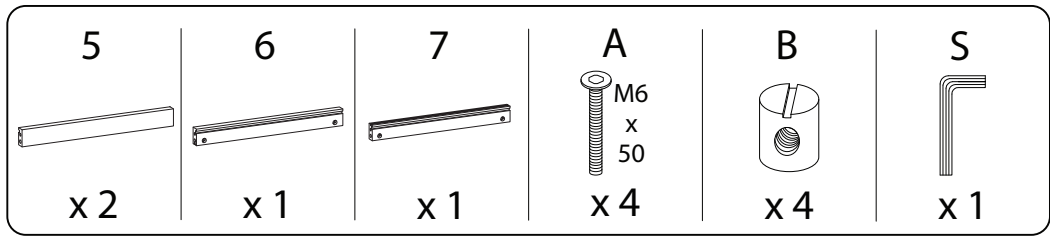
C



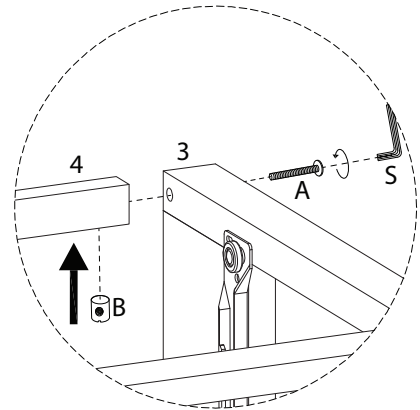
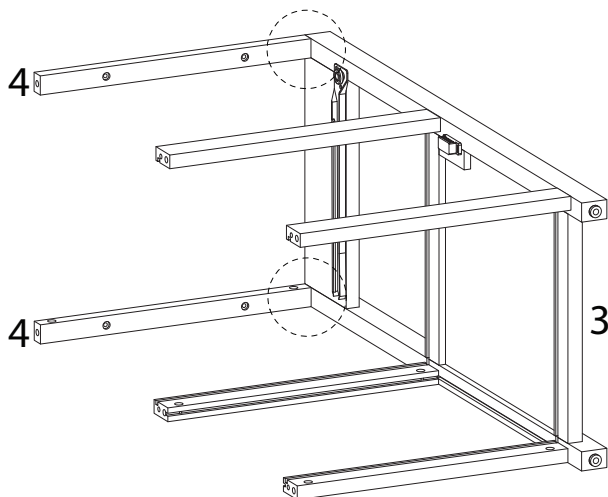
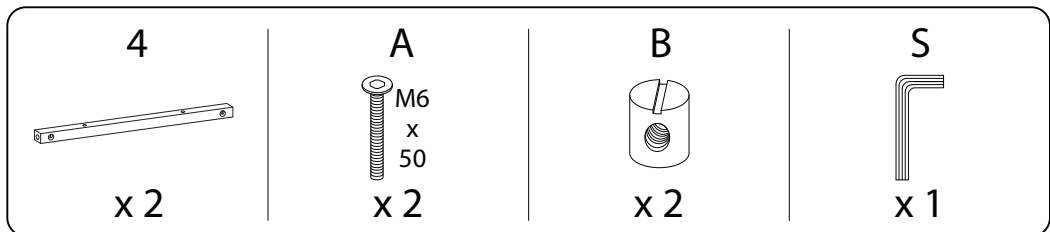
M6  
x  
30  
x 4



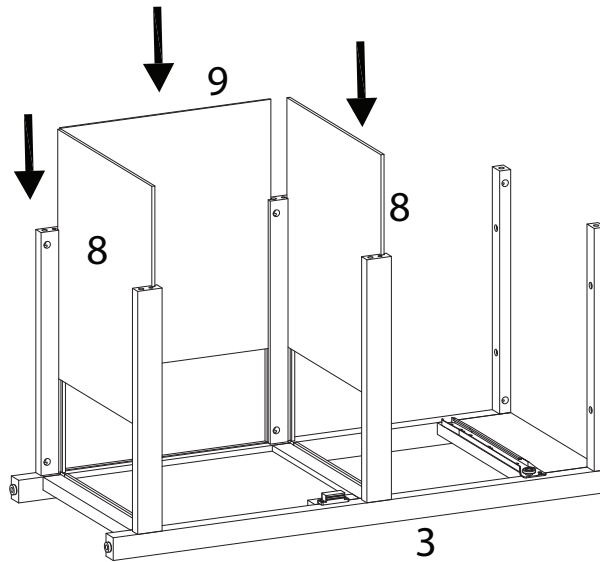
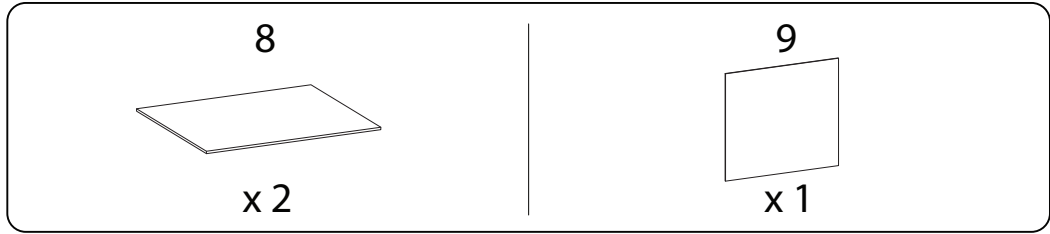
5



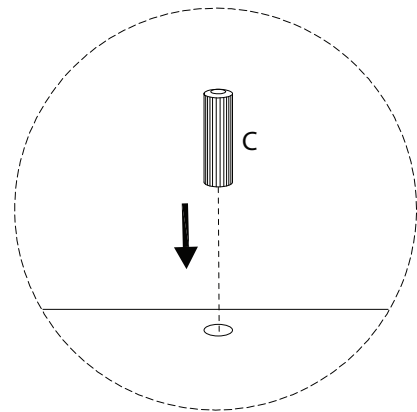
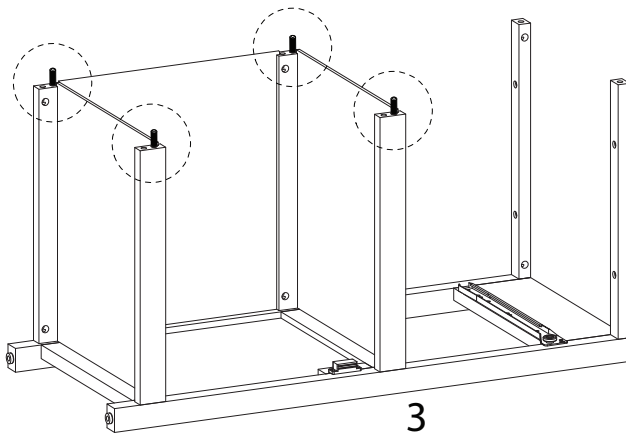
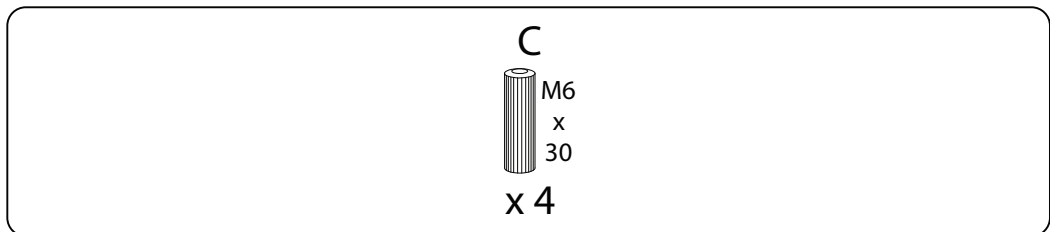
6



7

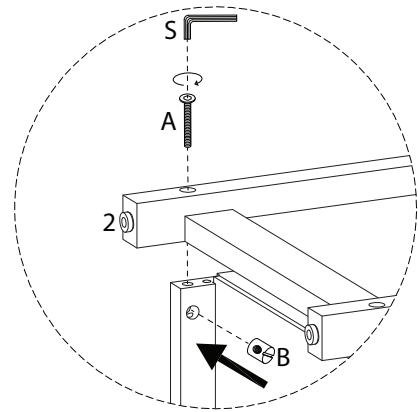
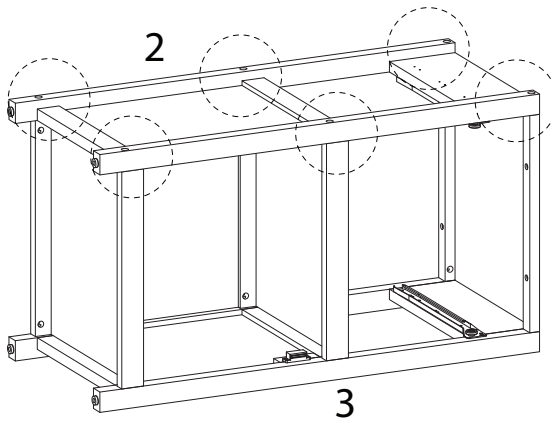
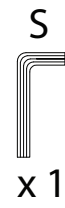
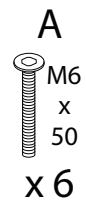


8

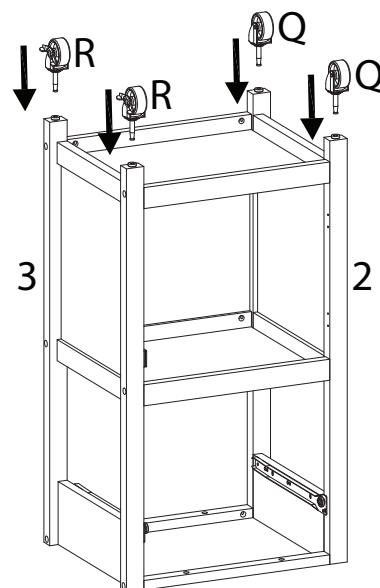
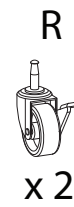
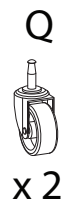




9



10



11

1

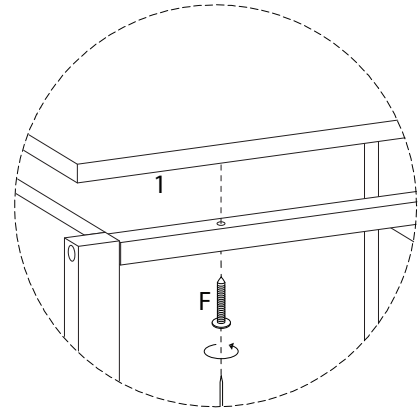
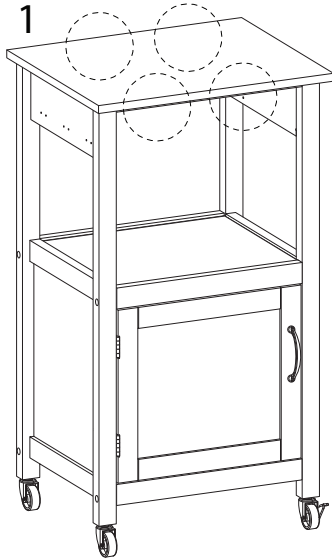


x 1

F

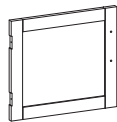


x 4



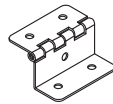
12

10



x 1

J

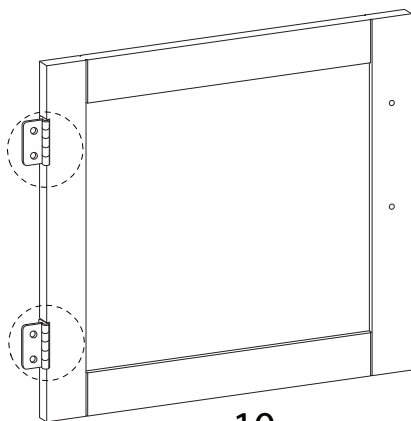


x 2

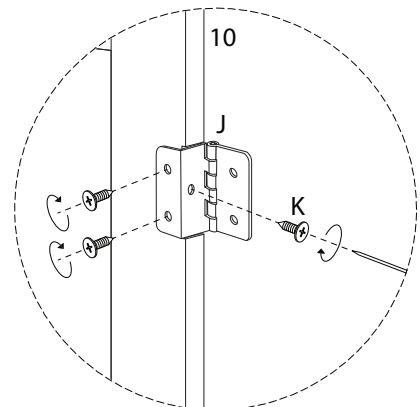
K



x 6

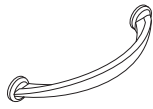


10



13

G

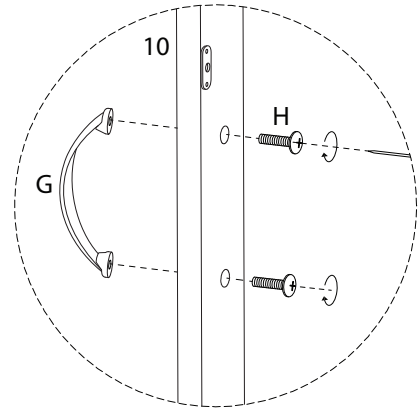
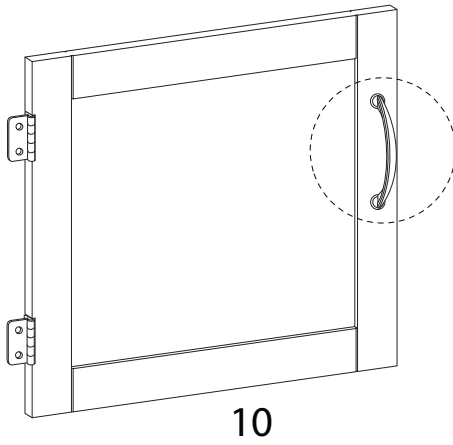


x 1

H



x 2

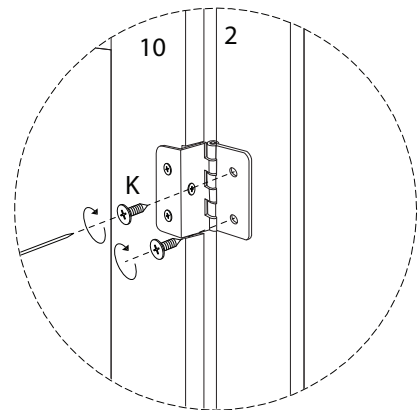
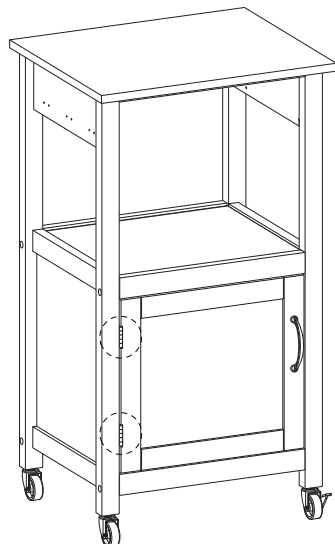


14

K

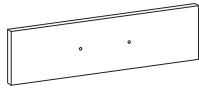


x 4



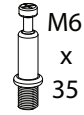
15

11

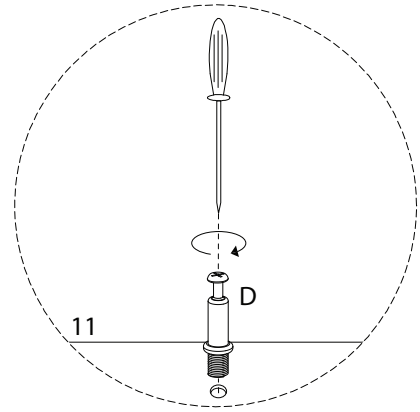
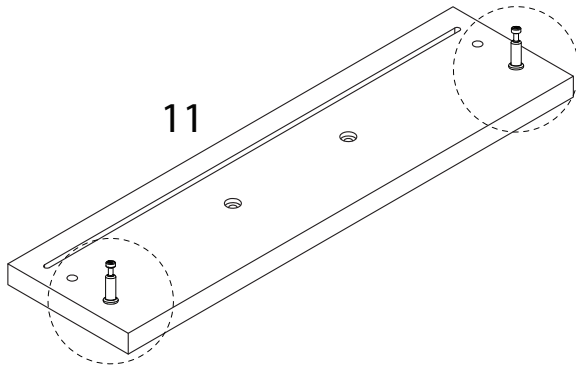


x 1

D

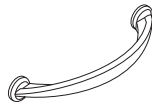


M6  
x  
35  
x 2



16

G

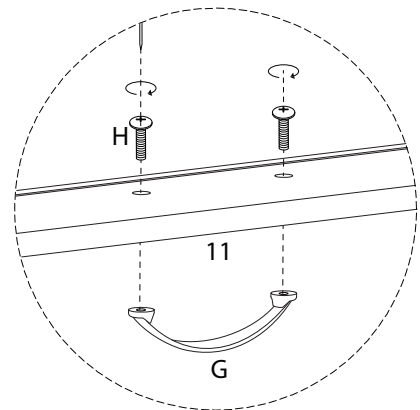
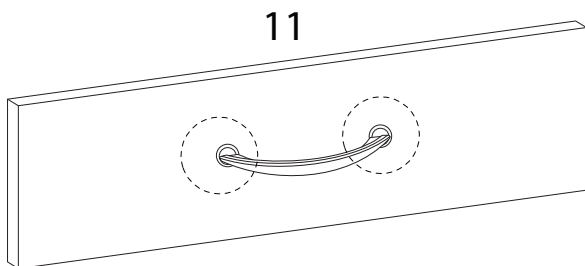


x 1

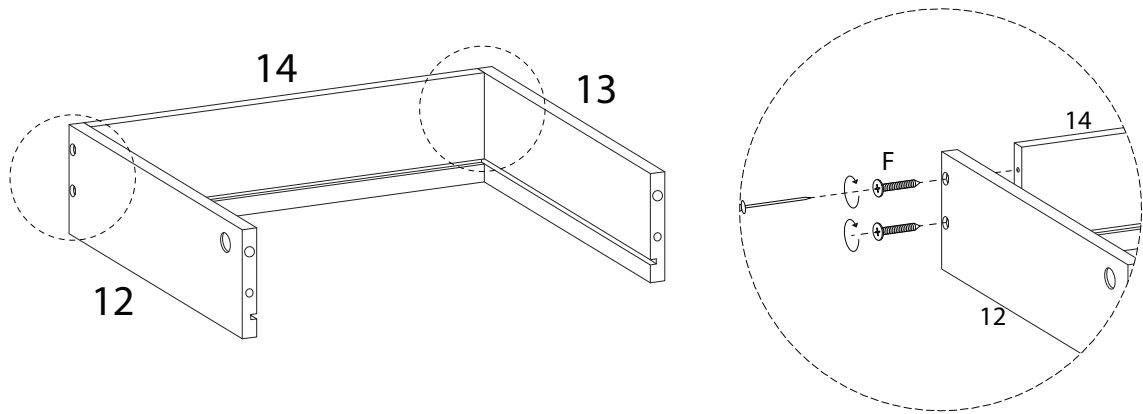
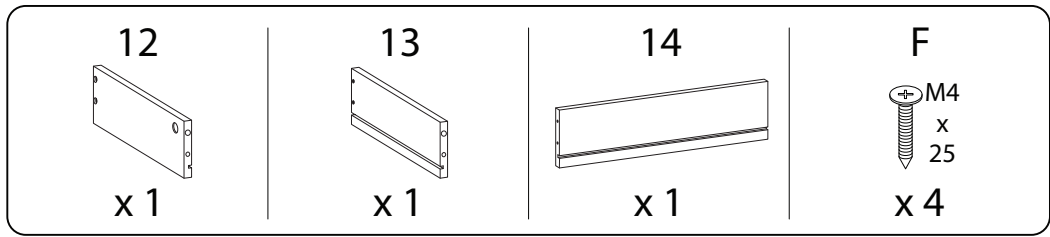
H



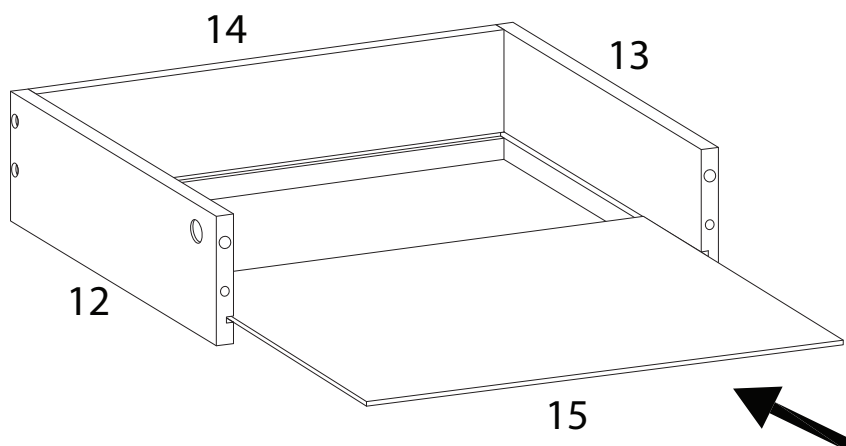
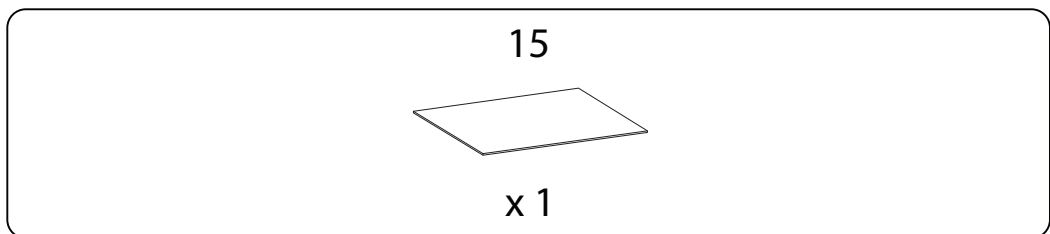
M4  
x  
16  
x 2



17

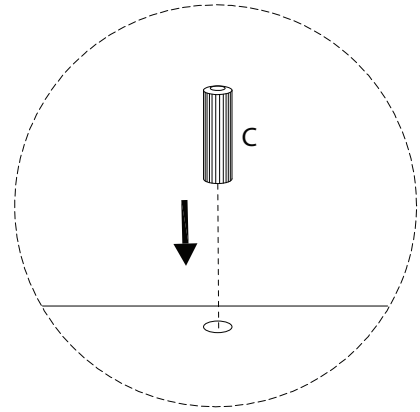
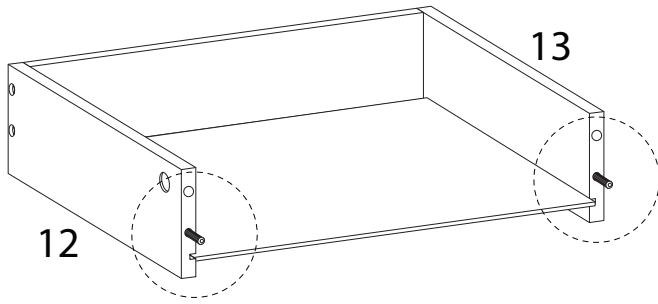


18



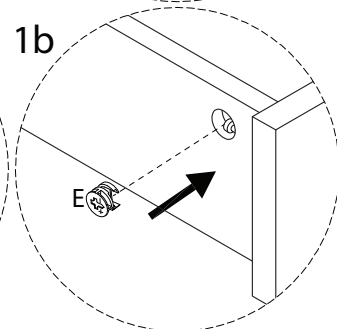
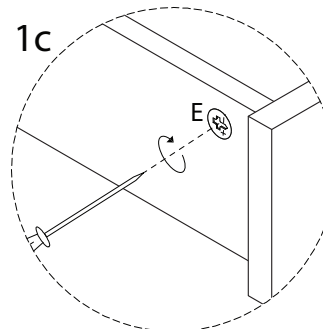
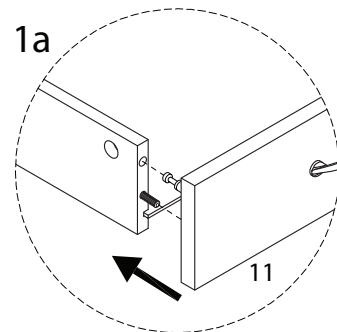
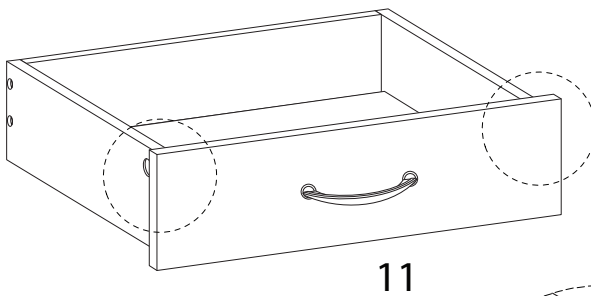
19

C  
M6  
x  
30  
x 2



20

E  
x 2

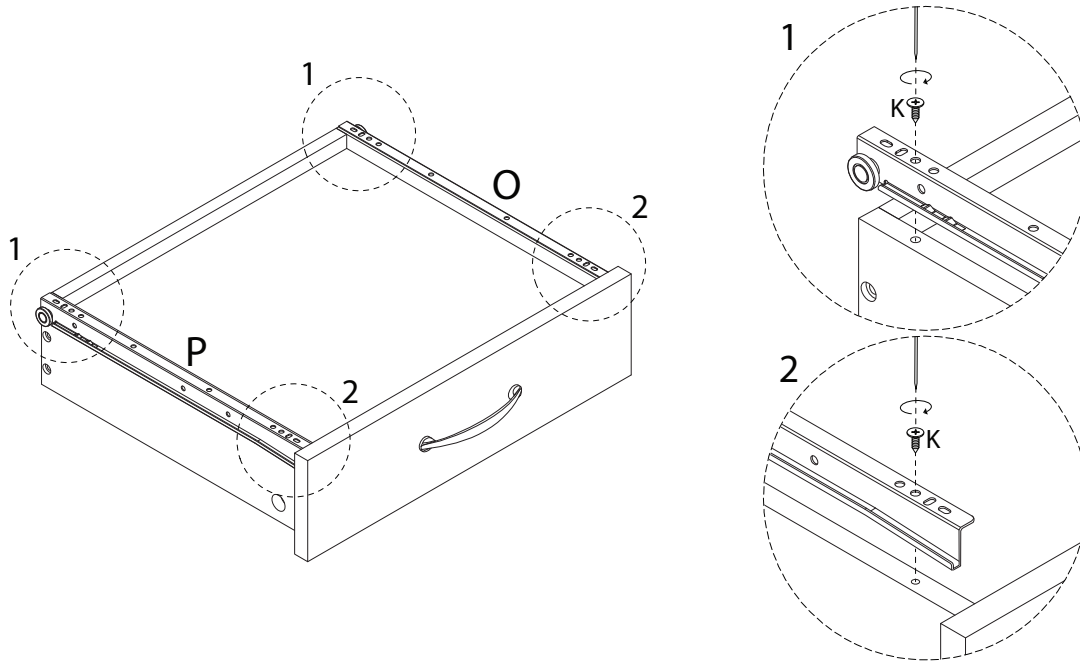


21

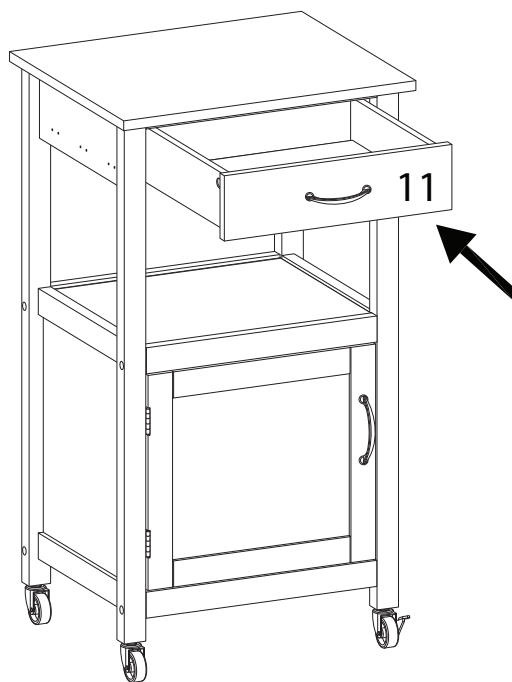
K  
M3  
x  
14  
x 4

O  
x 1

P  
x 1



22



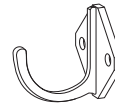
23

K



x 6

L



x 3

