

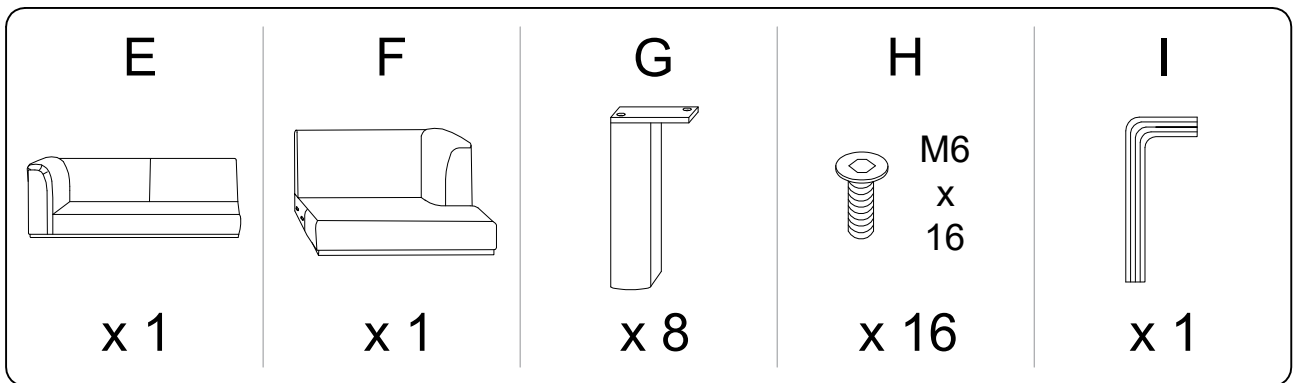
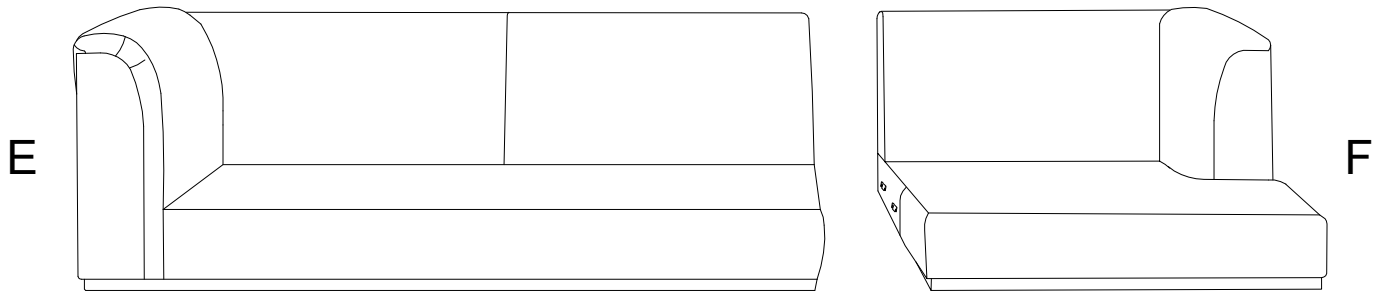
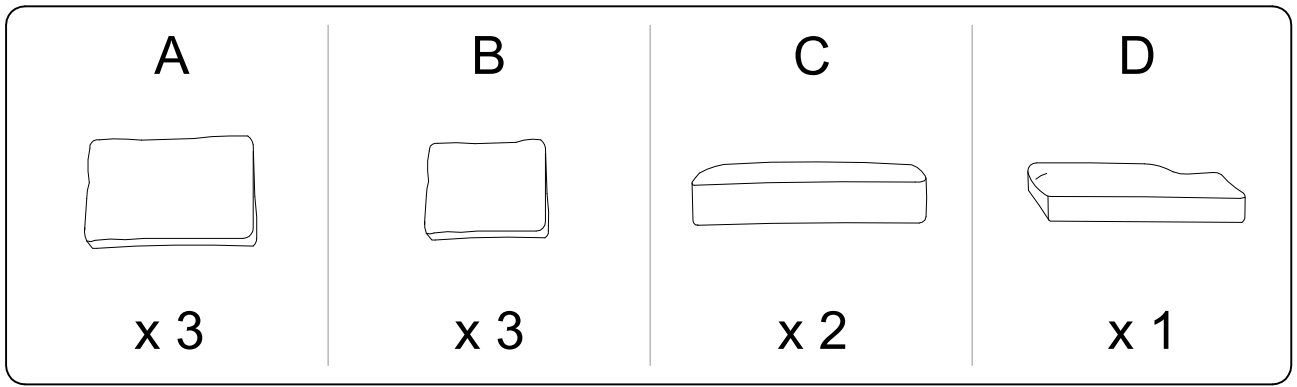
Assembly instructions for the sofa, including icons for tools, time, and personnel.

Top Section:

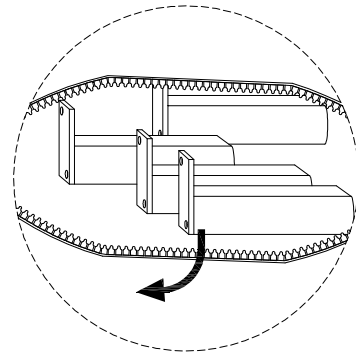
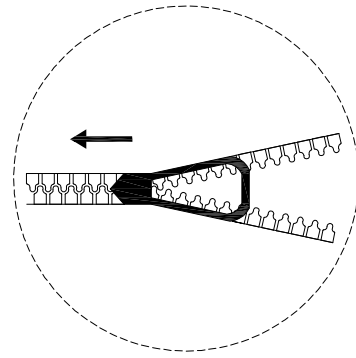
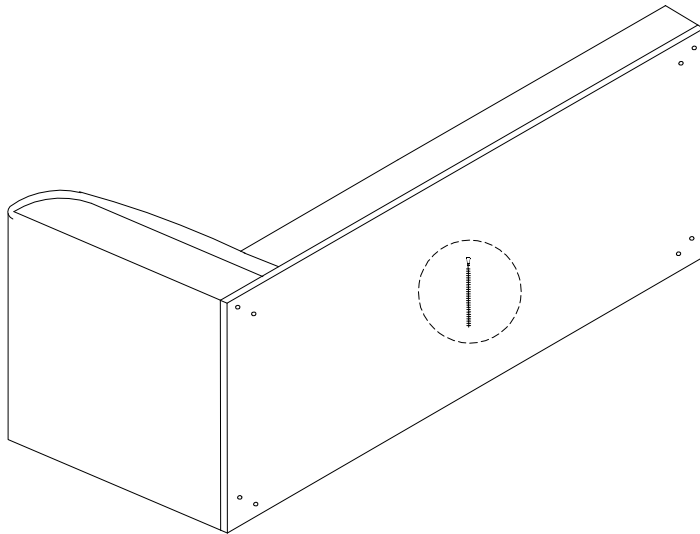
- Icon: An L-shaped corner bracket inside a circle.
- Icon: A power drill with a diagonal slash through it, indicating it should not be used.
- Warning icon: A triangle with an exclamation mark.
- Time icon: A clock face.
- Time: 20'

Bottom Section:

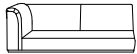
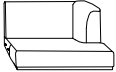


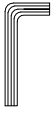
- Icon: A rectangular block being placed on a textured surface, possibly a rug or mat, inside a circle.
- Icon: A rectangular block with a diagonal slash through it, indicating it should not be placed on a hard surface.
- Warning icon: A triangle with an exclamation mark.
- Personnel icon: A stick figure representing a person.
- Personnel: 2

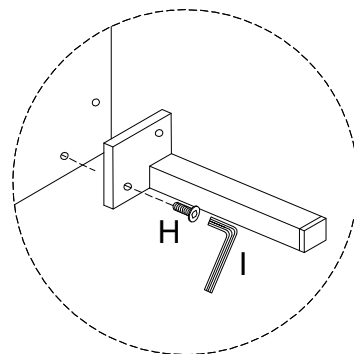
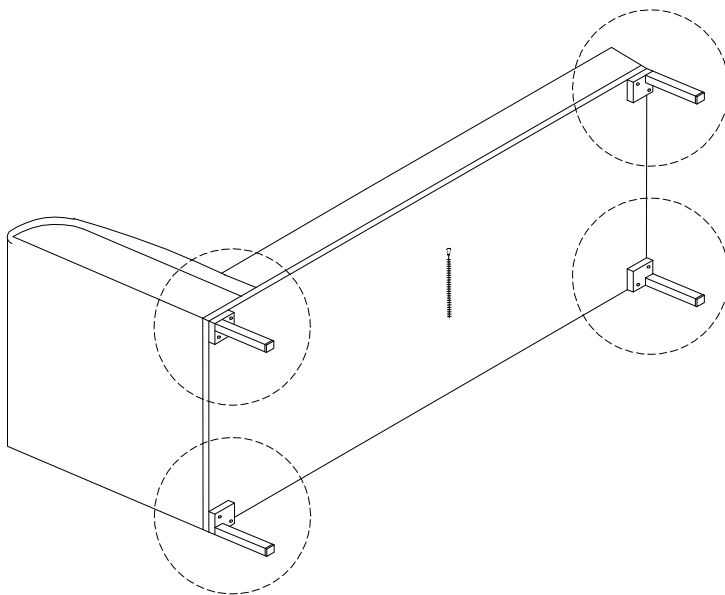


!

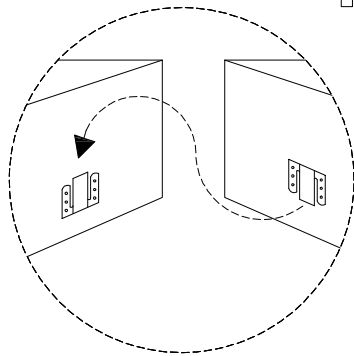
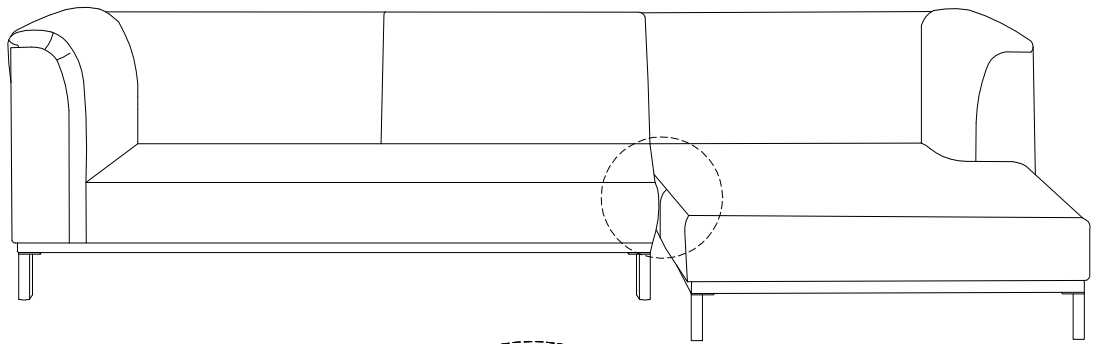


1

E  x 1	F  x 1	G  x 8	H  M6 x 16 x 16	I  x 1
--	--	--	--	--



2



3

