


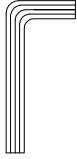
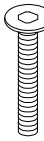
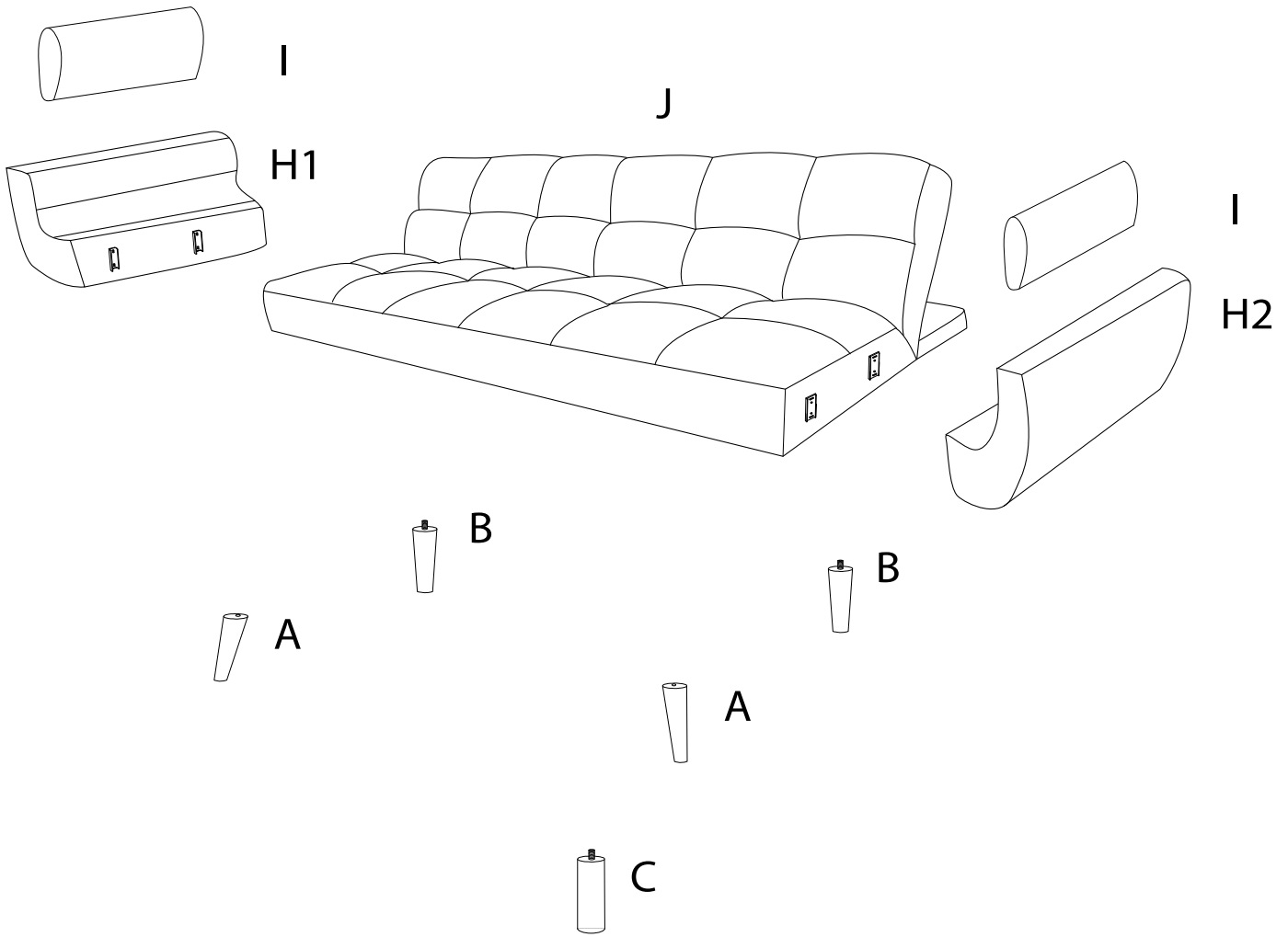


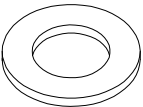
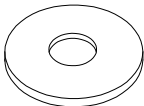
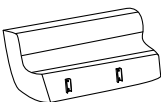
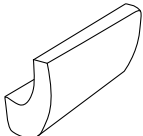

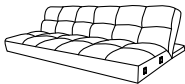
An icon showing an L-shaped metal bracket inside a circle, and a power drill with a diagonal line through it, indicating that a power drill should not be used for this step.	A warning triangle icon with an exclamation mark inside.	A clock icon showing approximately 15 minutes.
An icon showing a rectangular foam block on a textured surface inside a circle, and a screwdriver with a diagonal line through it, indicating that a screwdriver should not be used for this step.	A warning triangle icon with an exclamation mark inside.	An icon of a person, representing the number of people required for the step.

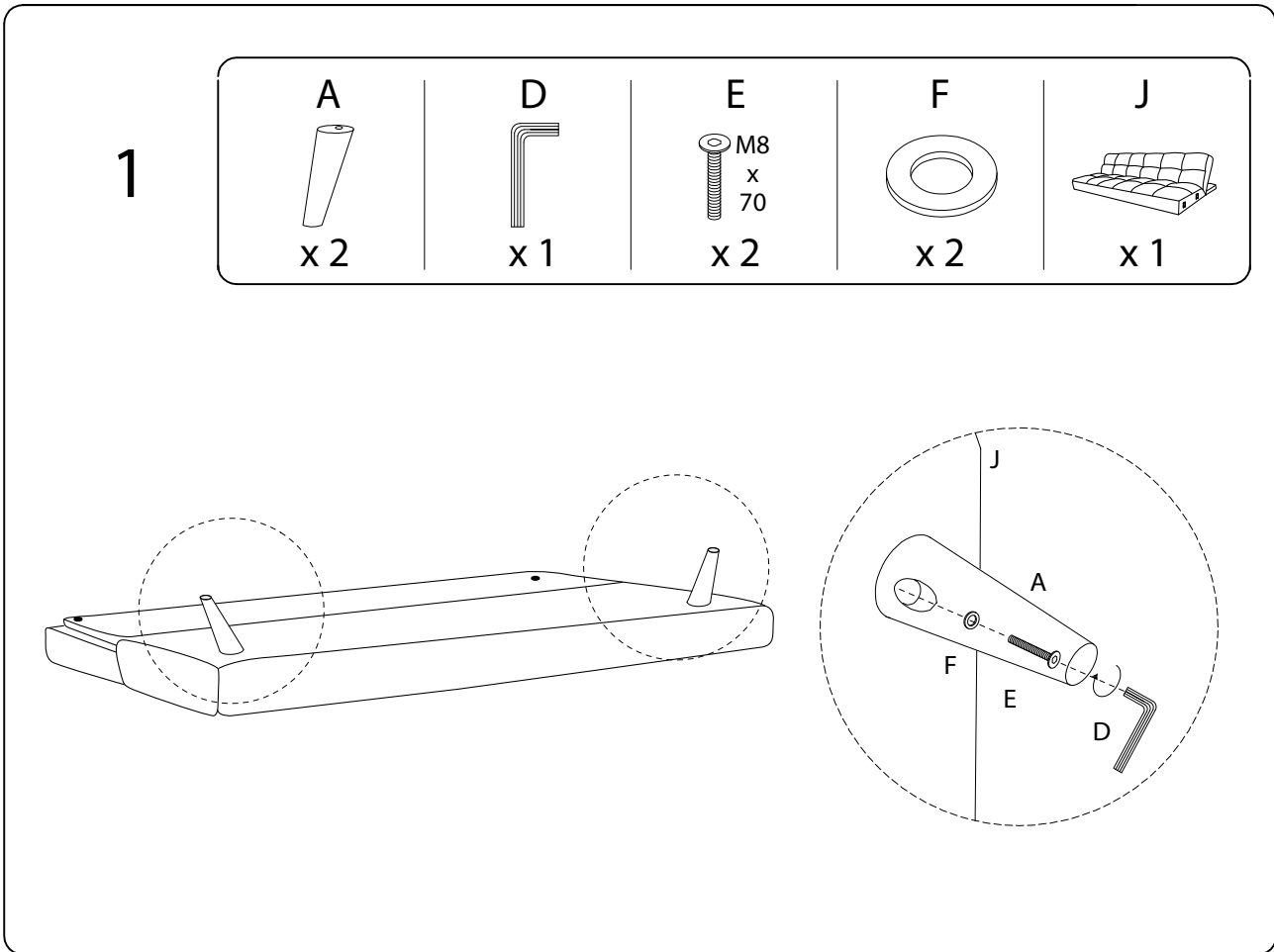
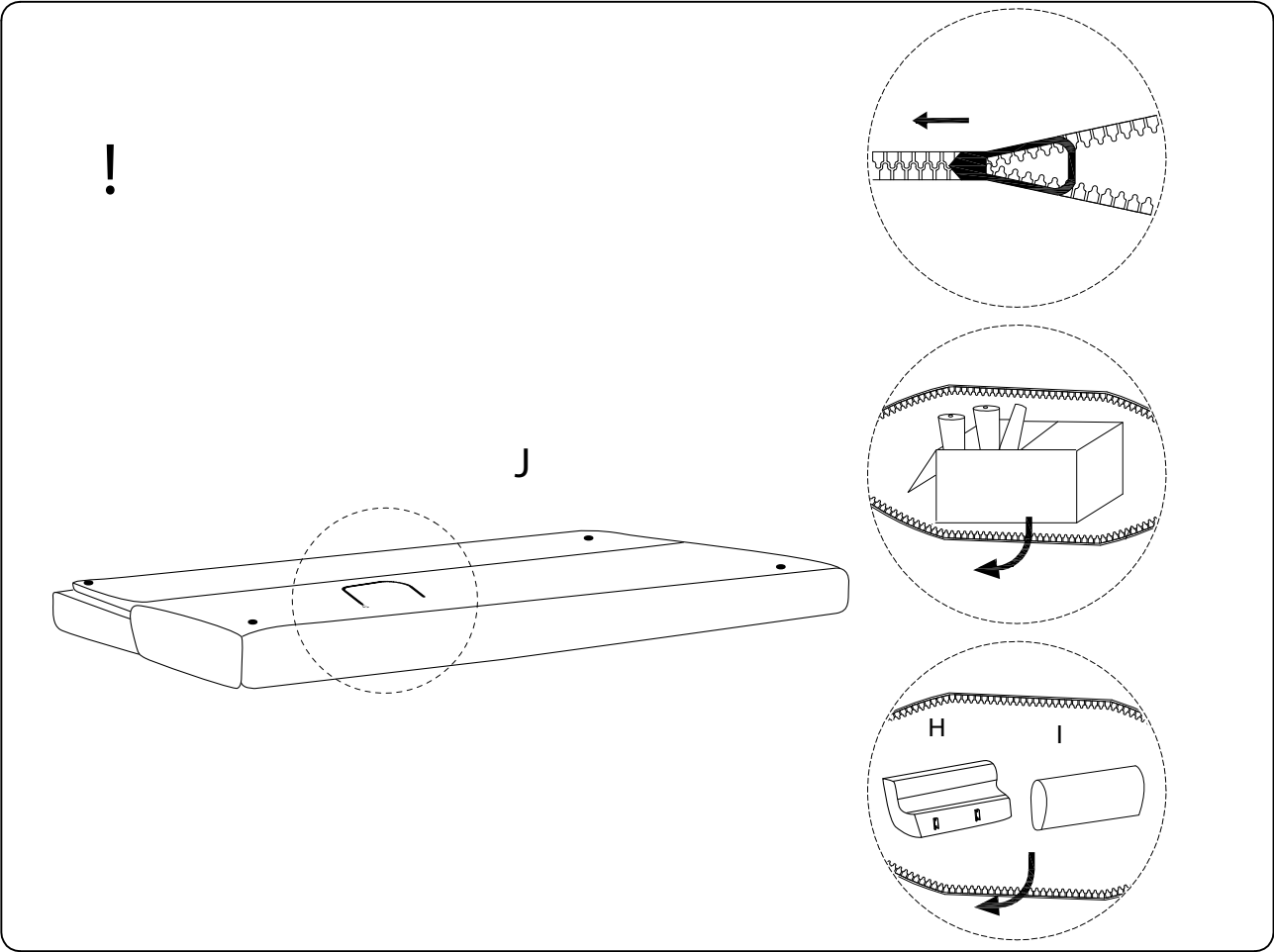
15'

1

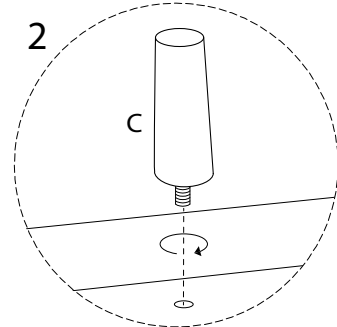
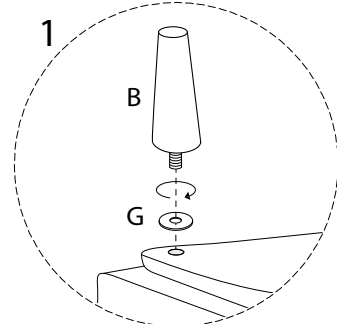
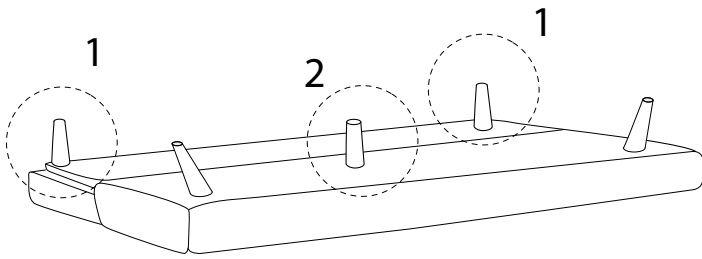
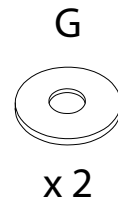
A	B	C	D	E
				 M8 x 70
x 2	x 2	x 1	x 1	x 2



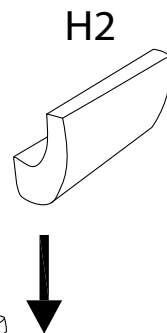
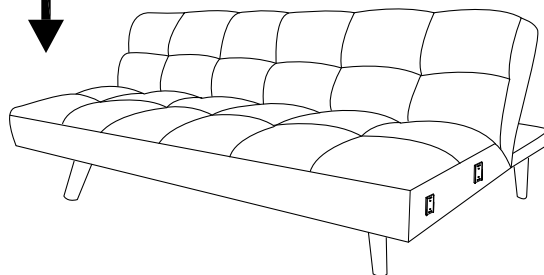
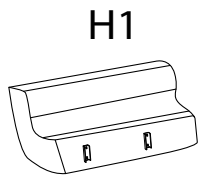
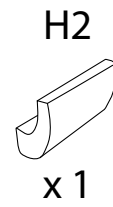
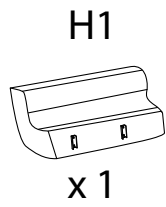
F	G	H1	H2	I	J
					
x 2	x 2	x 1	x 1	x 2	x 1



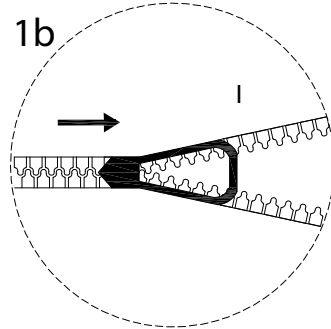
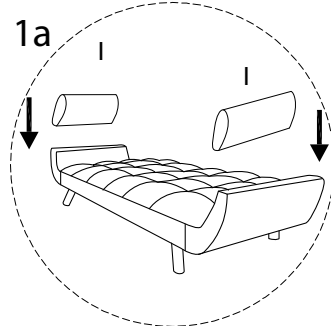
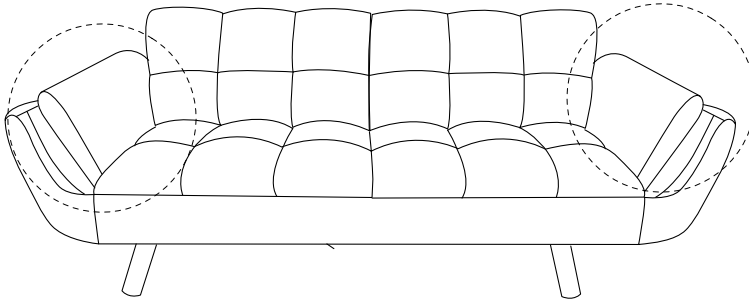
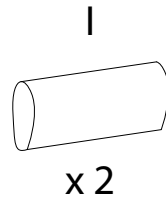
2



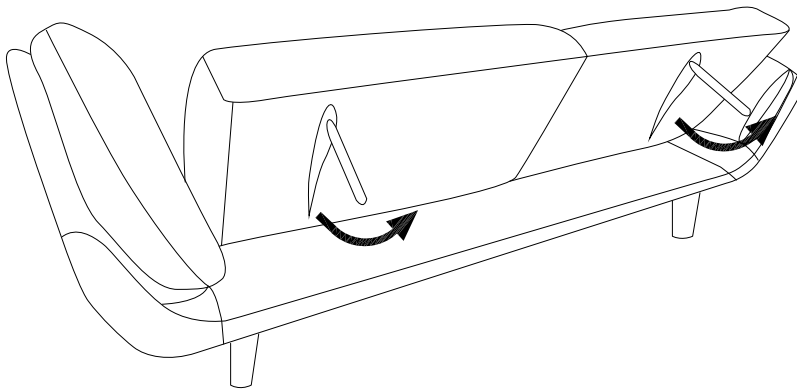
3



4



!



!

