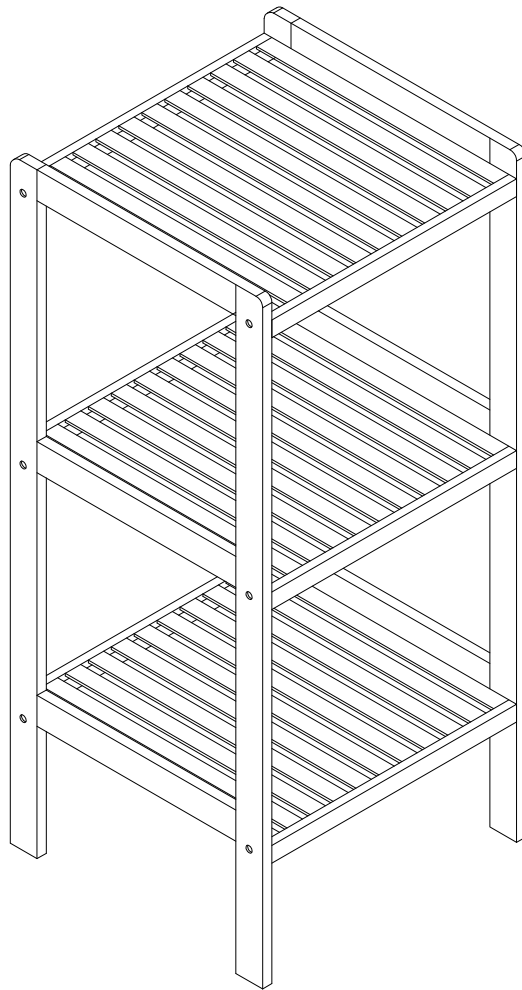


BAXLEY



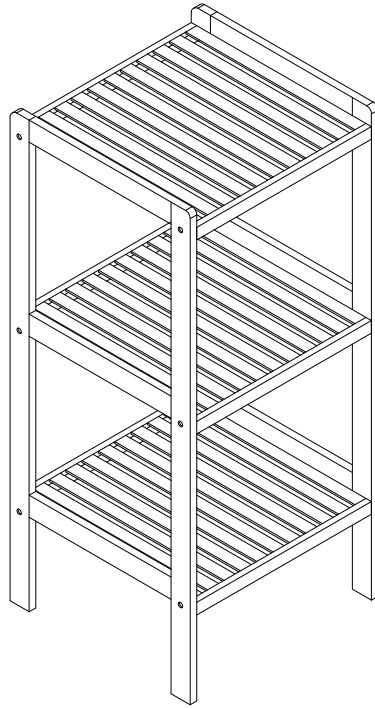
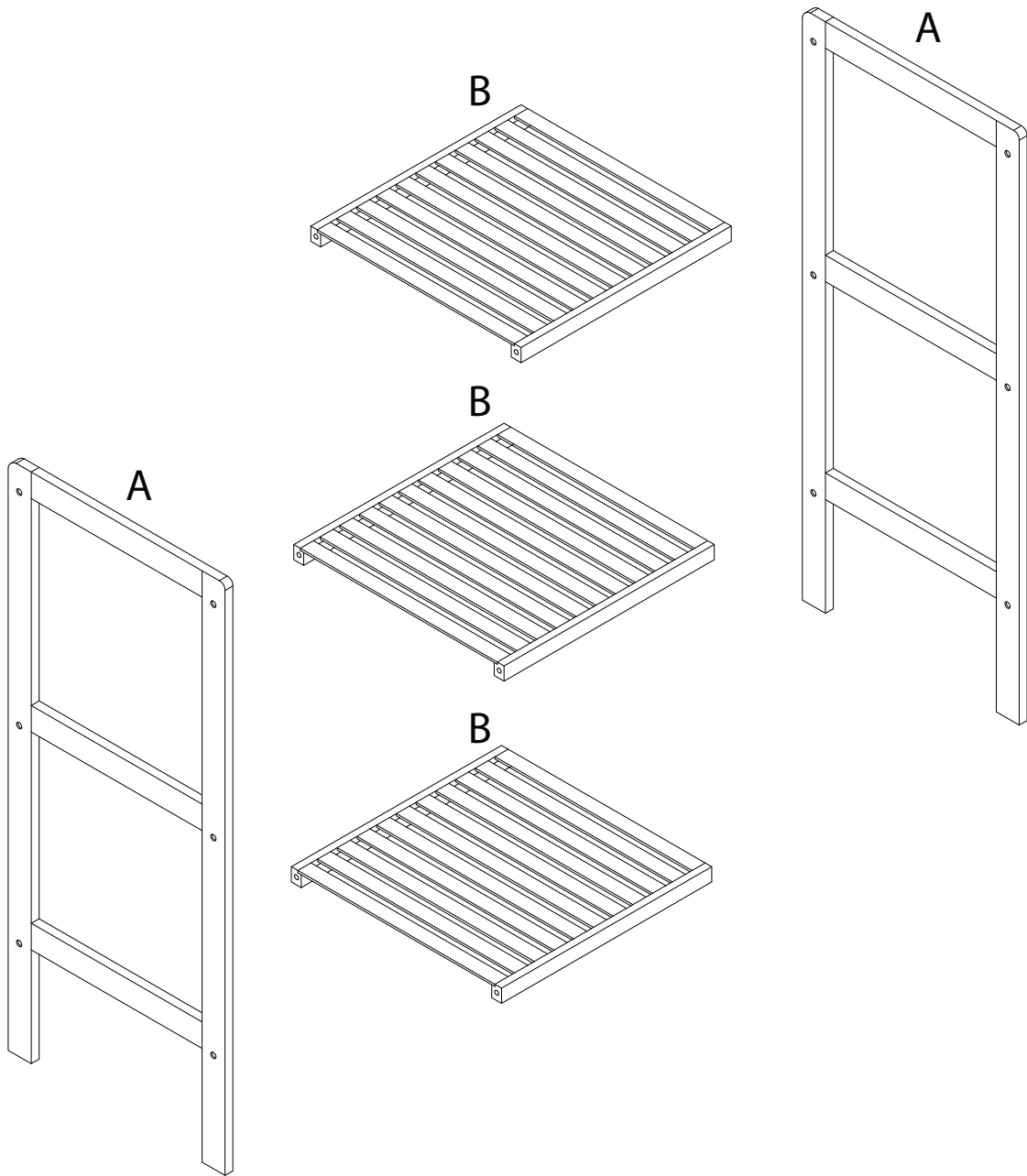
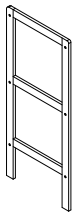
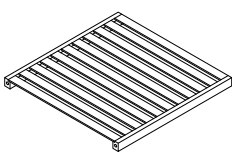
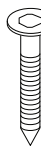

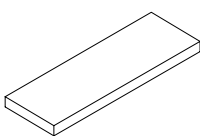


Diagram illustrating assembly steps and safety warnings:

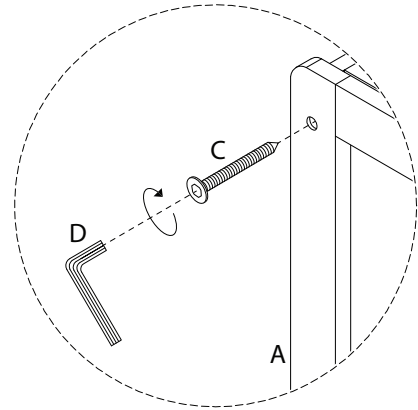
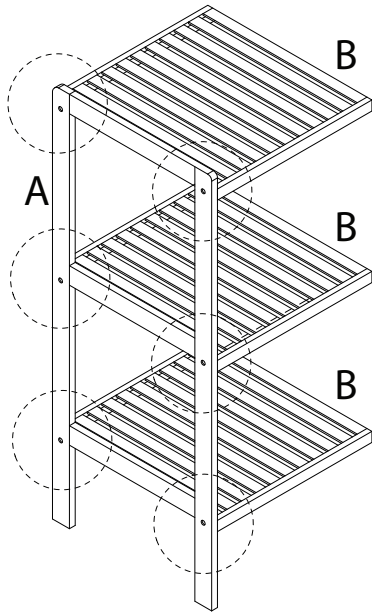
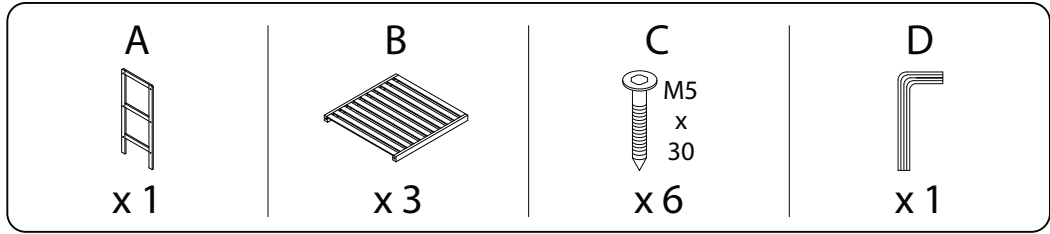
- Step 1:** Shows an L-shaped corner bracket and a power drill with a slash through it, indicating that a power drill should not be used for this step. A warning triangle with an exclamation mark is positioned to the right.
- Step 2:** Shows a rectangular panel being placed on a surface and a diagram of the panel being secured with a screw. A warning triangle with an exclamation mark is positioned to the right.
- Time:** A clock icon is shown next to the text "15'", indicating a 15-minute assembly time.
- Personnel:** An icon of a person is shown next to the number "2", indicating that two people are required for assembly.

1/4

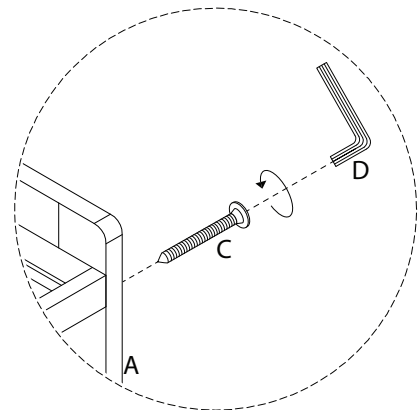
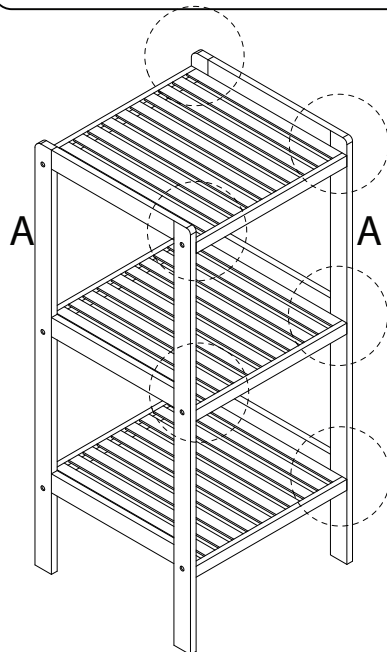
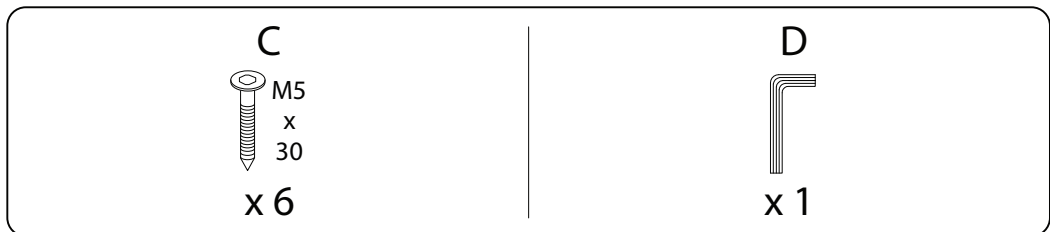


A	B	C	D	E
		 <p>M5 x 30</p>		
x 2	x 3	x 12	x 1	x 4

1

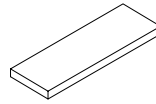


2

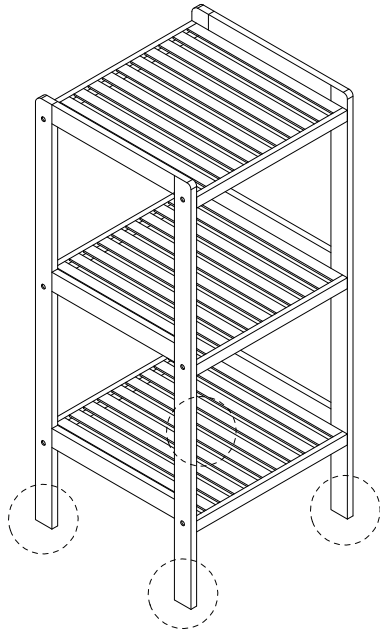


3

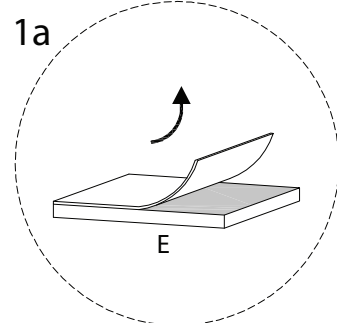
E



x 4



1a



1b

