





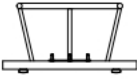



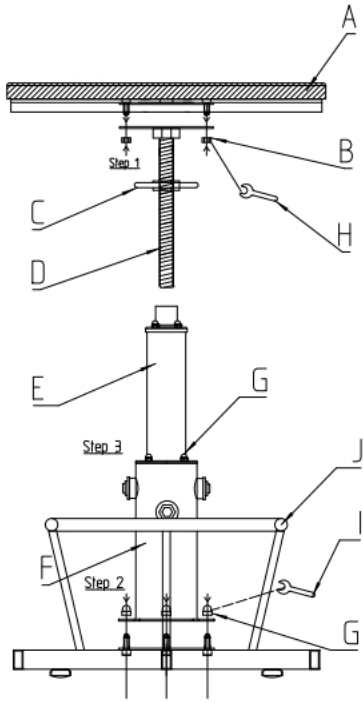
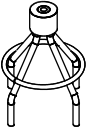








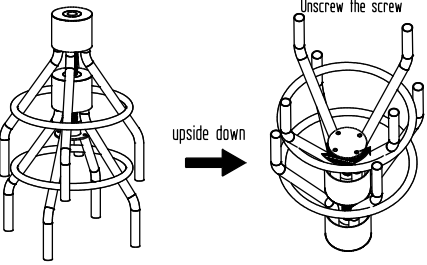


<p>Ax1</p> 	<p>Bx4</p>  <p>M8</p>	<p>Cx1</p> 	<p>Ex1</p> 	<p>Fx1</p> 	<p>Gx8</p>  <p>M8</p>	<p>Jx1</p> 
		<p>Dx1</p> 			<p>Hx1</p>  <p>12mm</p>	<p>Ix1</p>  <p>14mm</p>



Ax1 	Bx1 	Cx1 	Dx1 	Ex1  M30
Fx1  12mm	Gx1  5mm	Hx1  M6*12mm	Ix1  2.0	

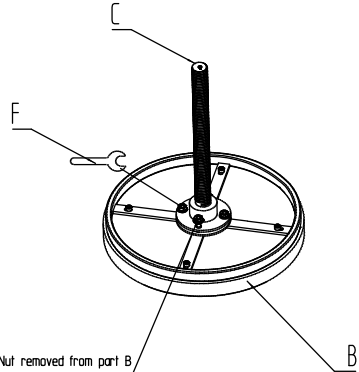
When the chair you buy is two pieces in a box, first unscrew the fixing screw!



upside down → Unscrew the screw

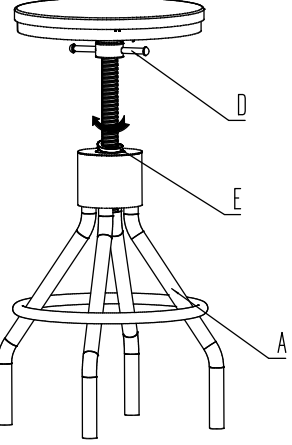
Assembly steps

Step 1

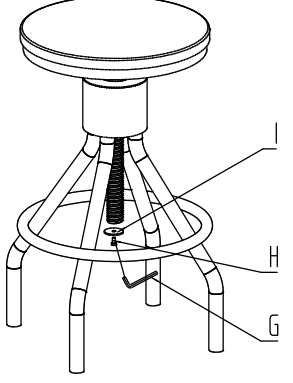


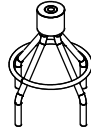








Nut removed from part B

Step 2

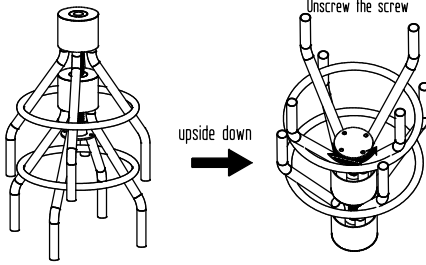


Step 3



Ax1 	Bx1 	Cx1 	Dx1 	Ex1  M30
Fx1  12mm	Gx1  5mm	Hx1  M6*12mm	Ix1  2.0	

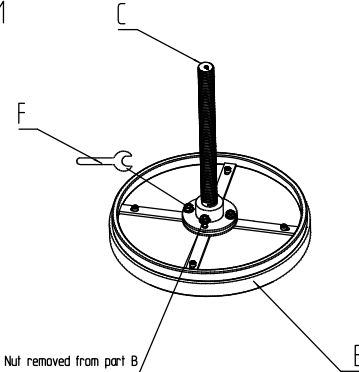
When the chair you buy is two pieces in a box, first unscrew the fixing screw!



upside down → Unscrew the screw

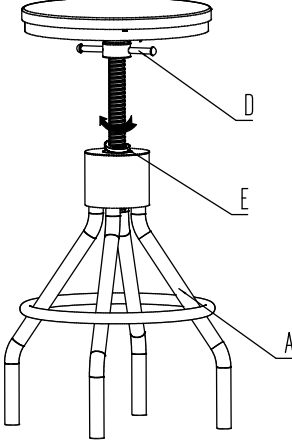
Assembly steps

Step 1



Nut removed from part B

Step 2



Step 3

