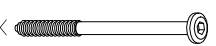
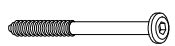
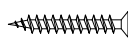



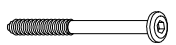



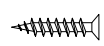

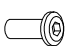
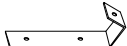




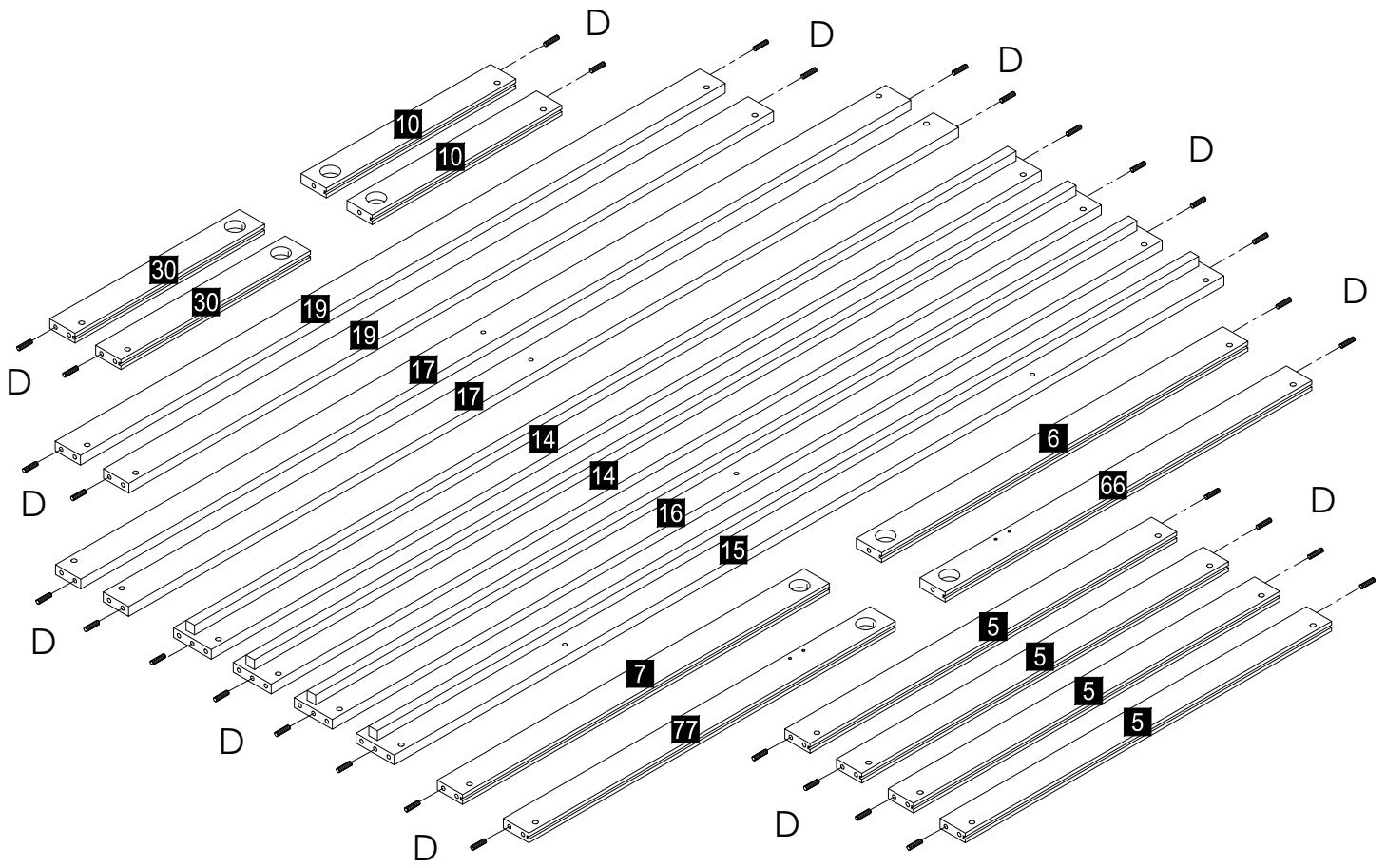

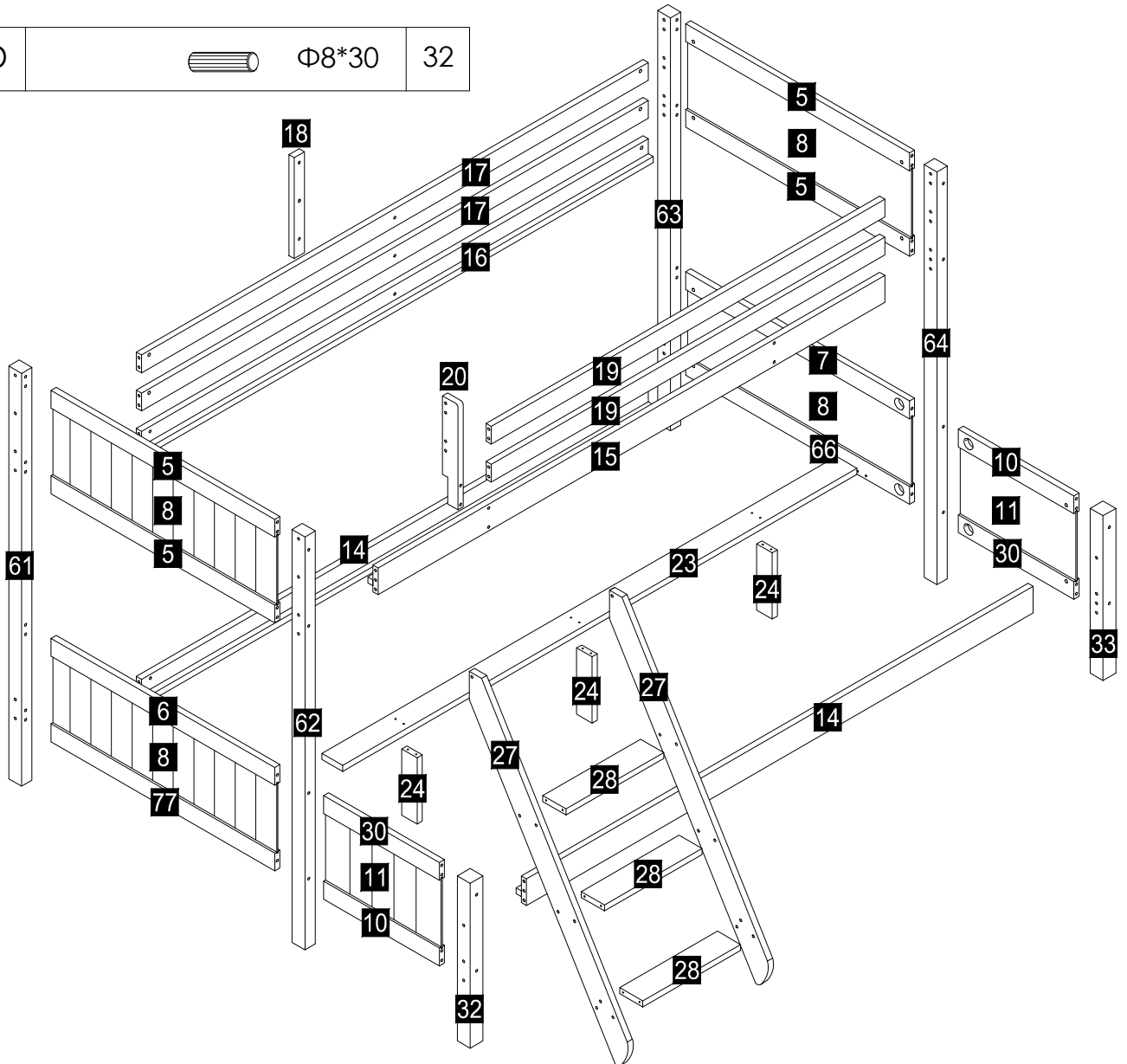


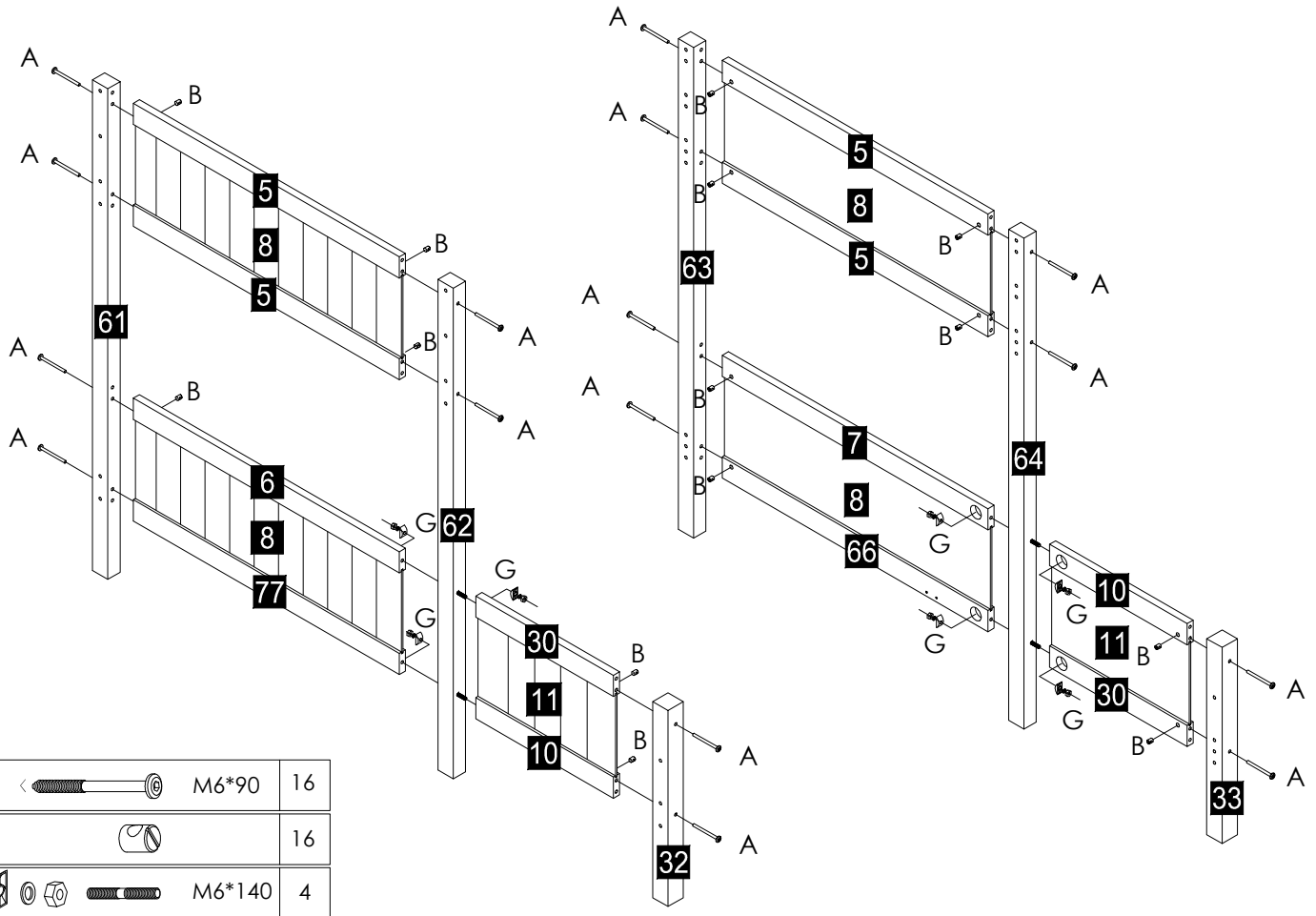
A		M6*90	39	F		M6*60	3	M		4*30	96
B			40	G		M6*140	4	N		Φ10	4
C		M6*50	2	H		Φ7*50	18	P		Φ8	6
D		Φ8*30	32	J		3.5*16	14	R		Φ35	8
E		M6*20	7	K			2	S		8 mm	2
W			2	L		M6*30	3	T		4 mm	1



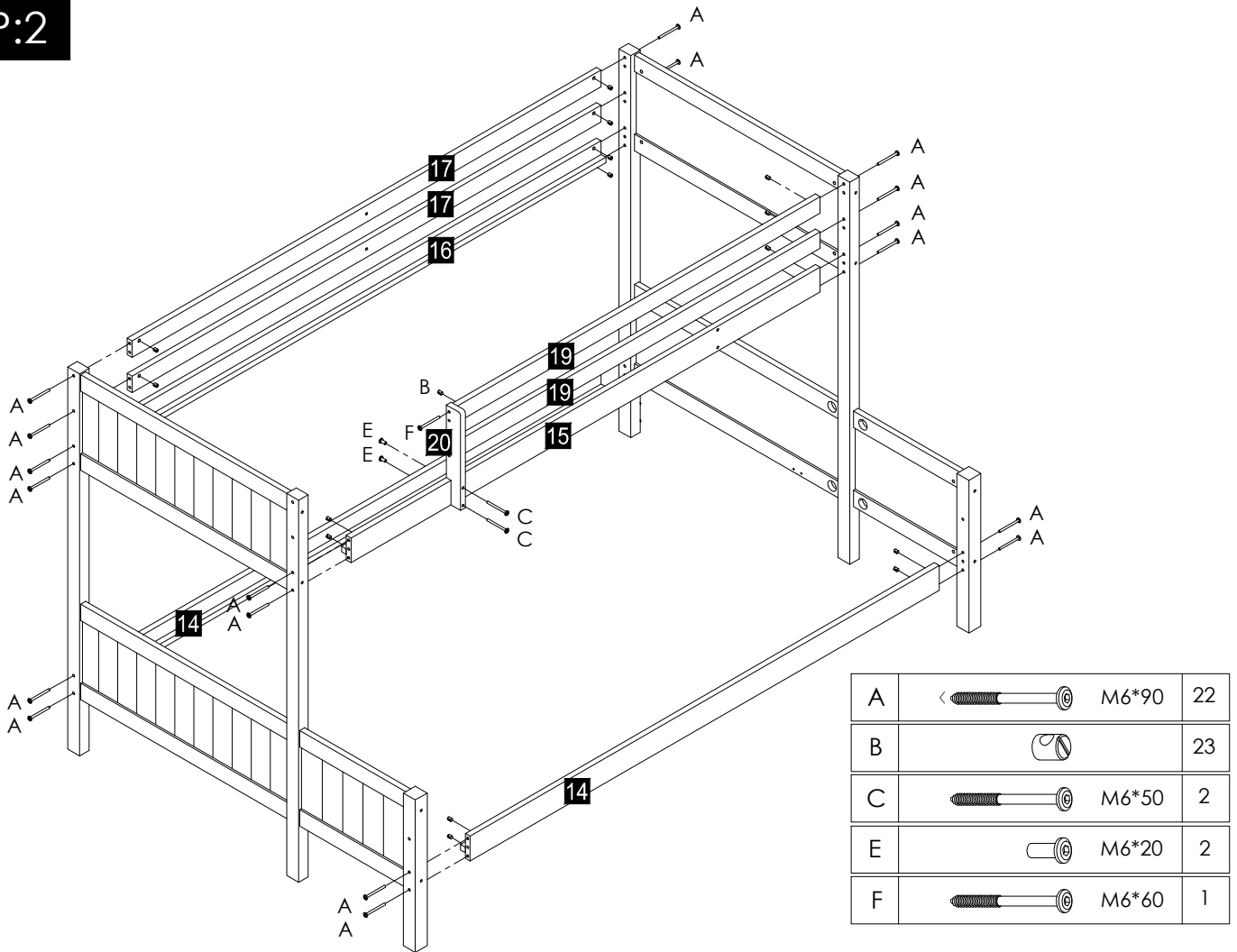
D		Φ8*30	32
---	---	-------	----




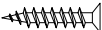


STEP:1

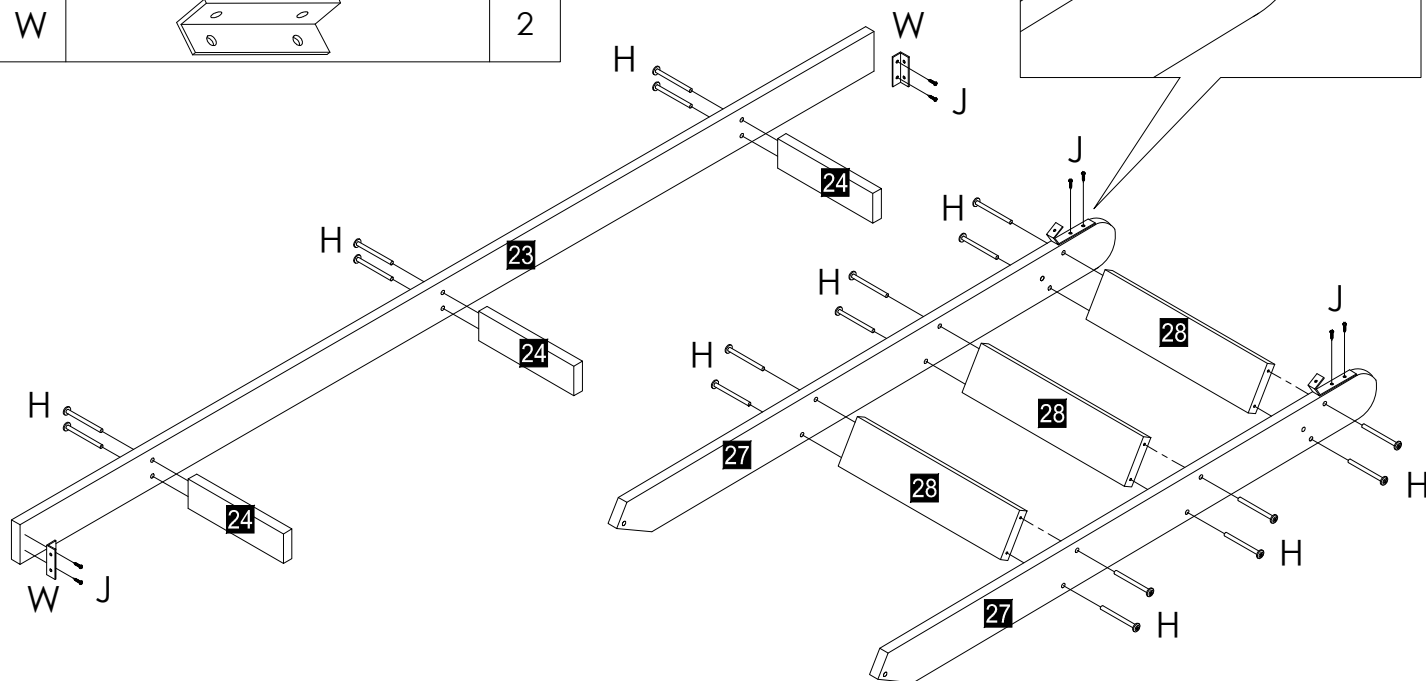


STEP:2

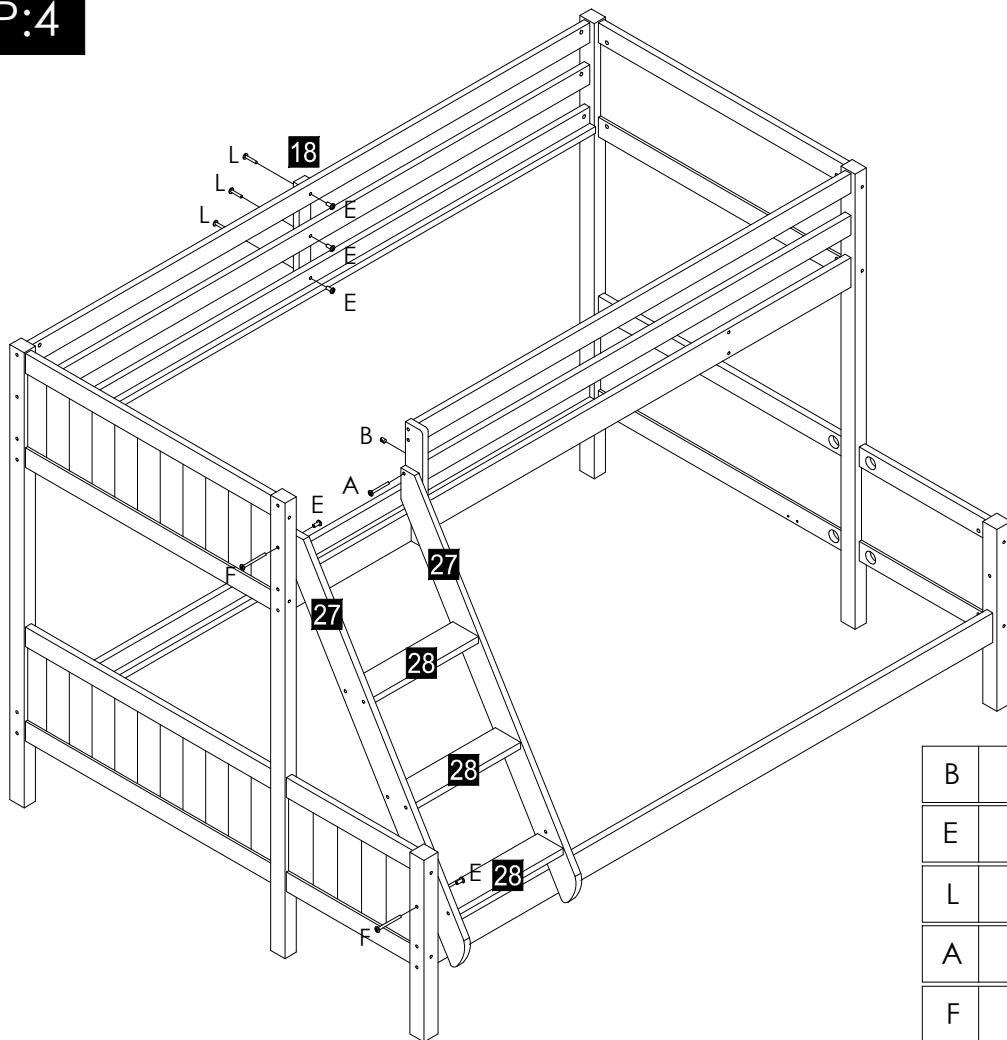



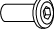



STEP:3

H		Φ7*50	18
J		3.5*16	8
K			2
W			2

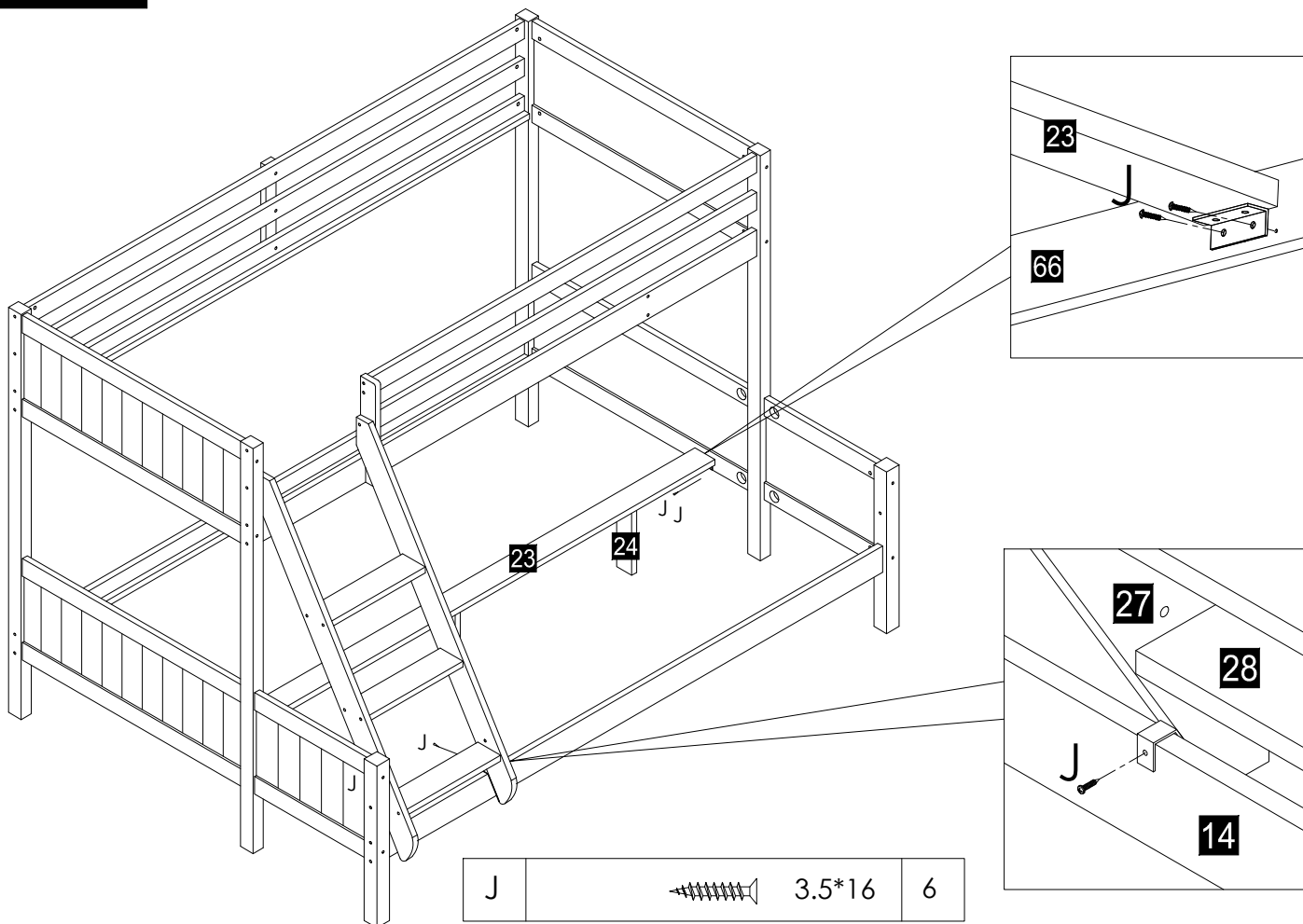


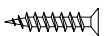
STEP:4



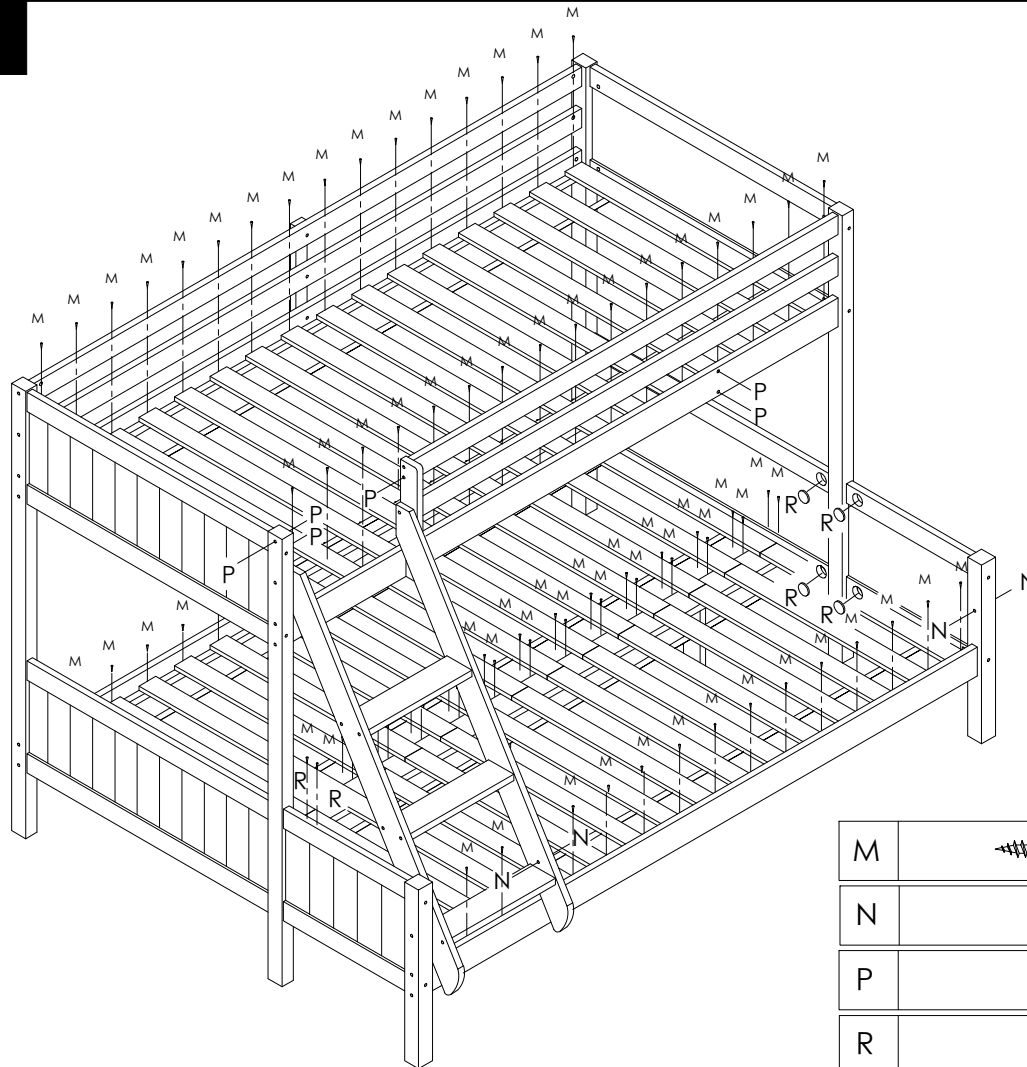
B			1
E		M6*20	5
L		M6*30	3
A		M6*90	1
F		M6*60	2

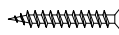



STEP:5



J		3.5*16	6
---	---	--------	---

STEP:6



M		4*30	96
N		Φ10	4
P		Φ8	6
R		Φ35	8