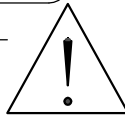
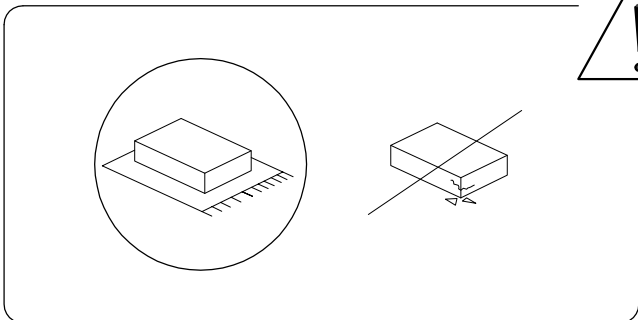
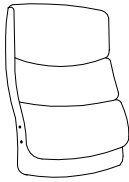
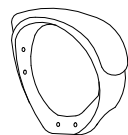
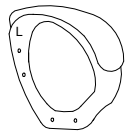

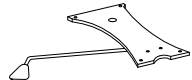


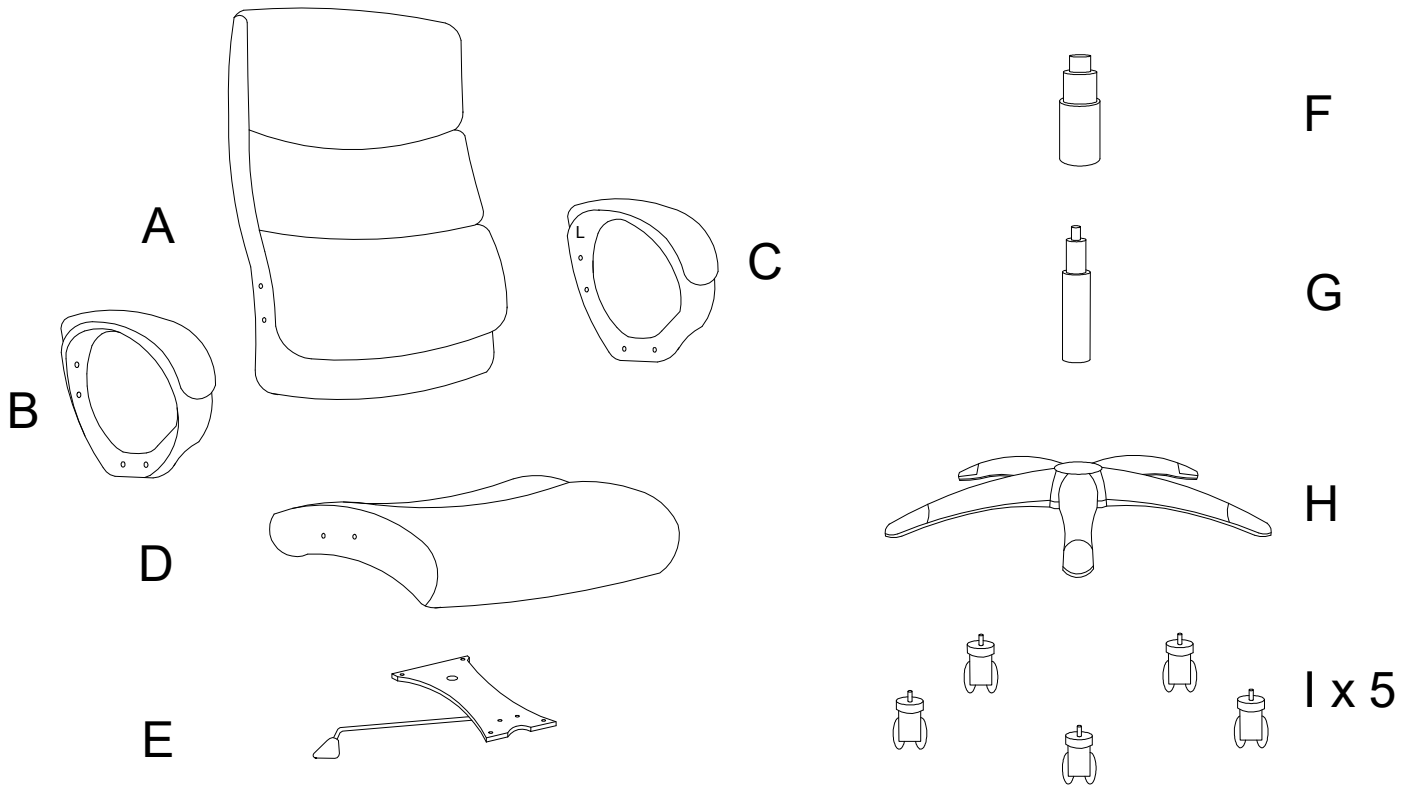
25'

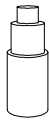

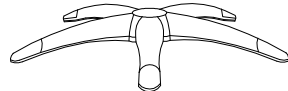
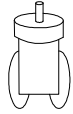
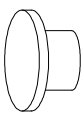
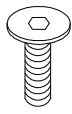
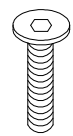
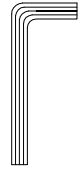


1

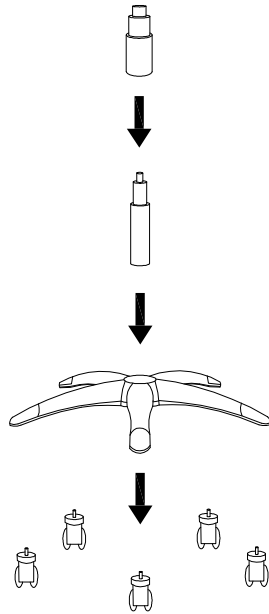
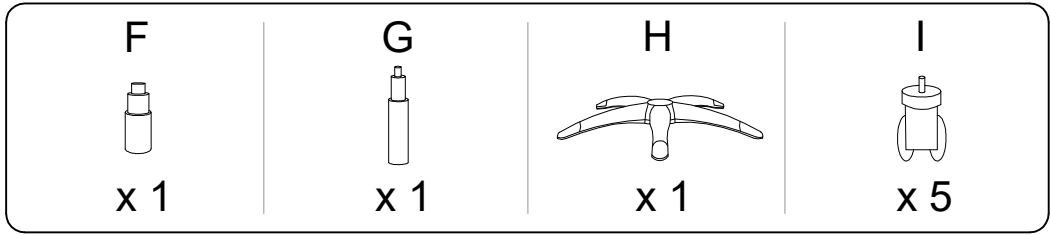
1/4

| | | | | |
|---|---|---|--|---|
| A | B | C | D | E |
|  |  |  |  |  |
| x 1 | x 1 | x 1 | x 1 | x 1 |

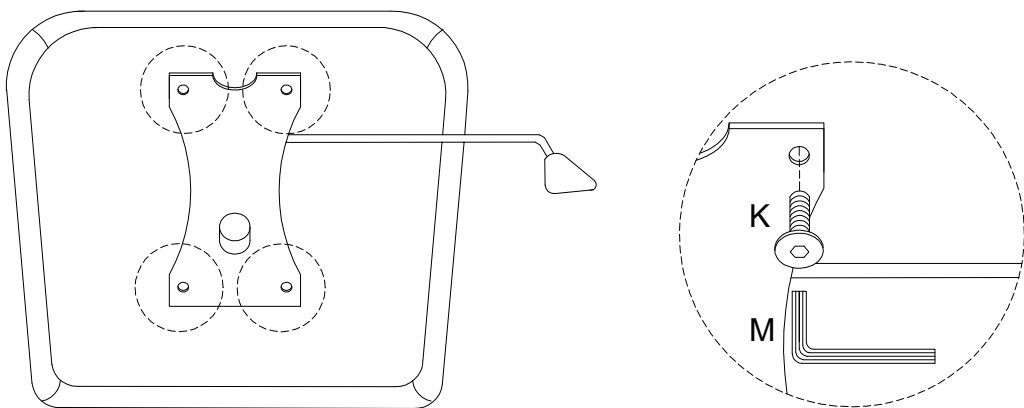
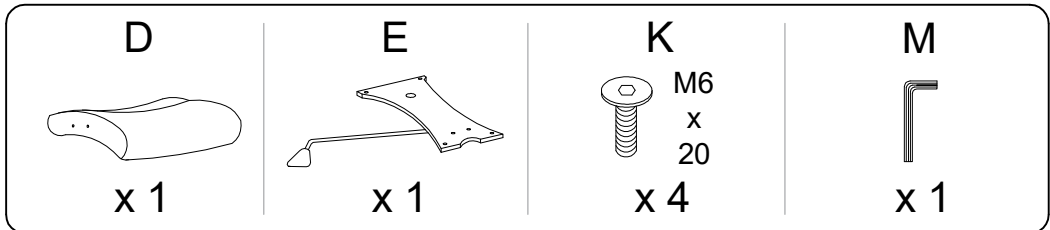


| | | | |
|---|---|---|---|
| F | G | H | I |
|  |  |  |  |
| x 1 | x 1 | x 1 | x 5 |
| J | K | L | M |
|  |  M6 x 20 |  M8 x 30 |  |
| x 8 | x 4 | x 8 | x 1 |

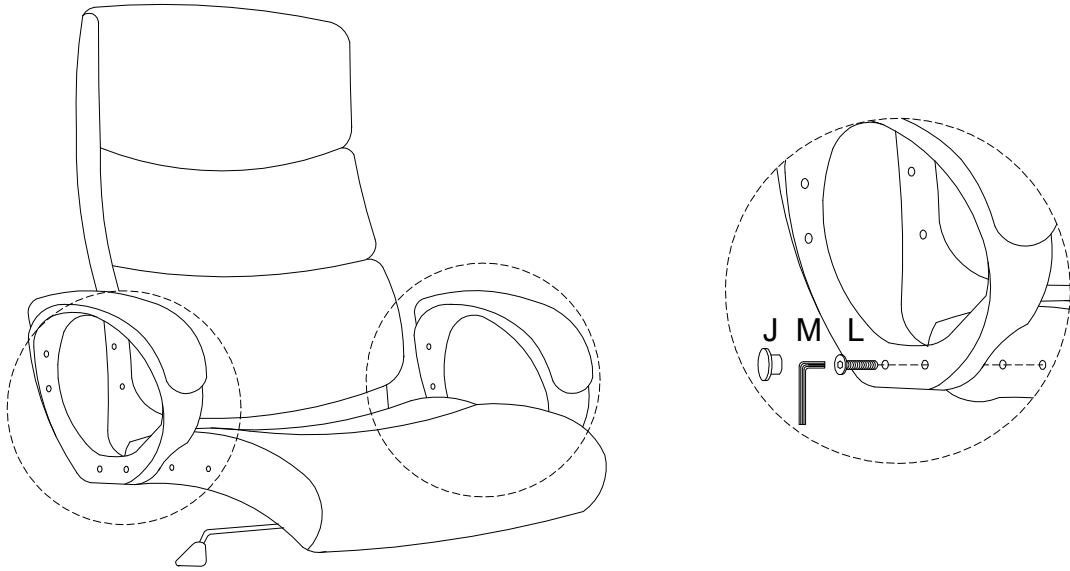
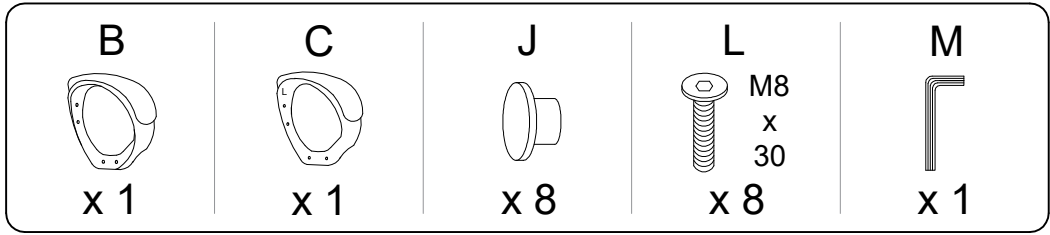
1



2



3



4

