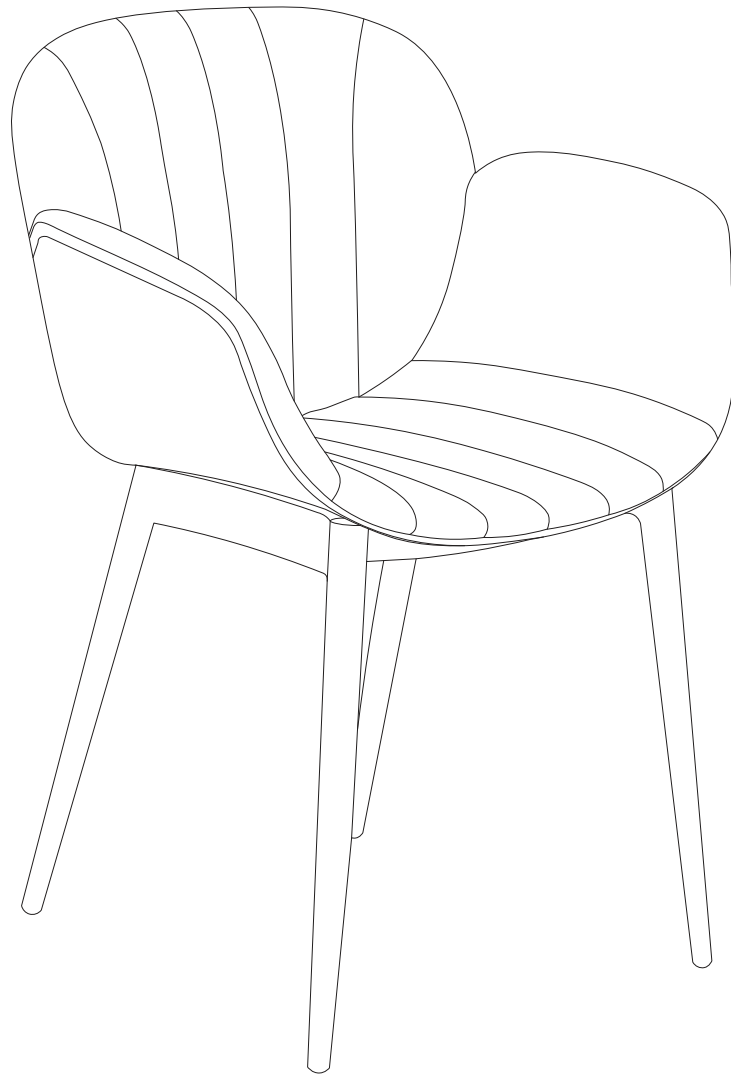
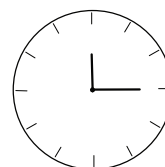
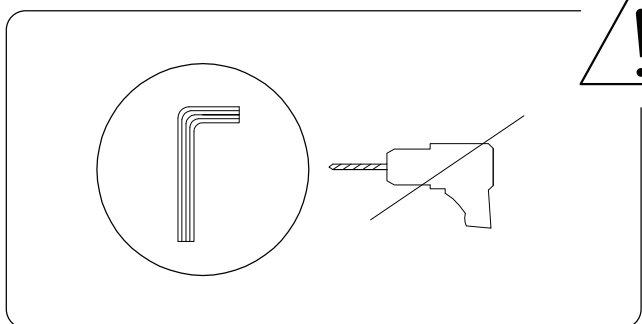
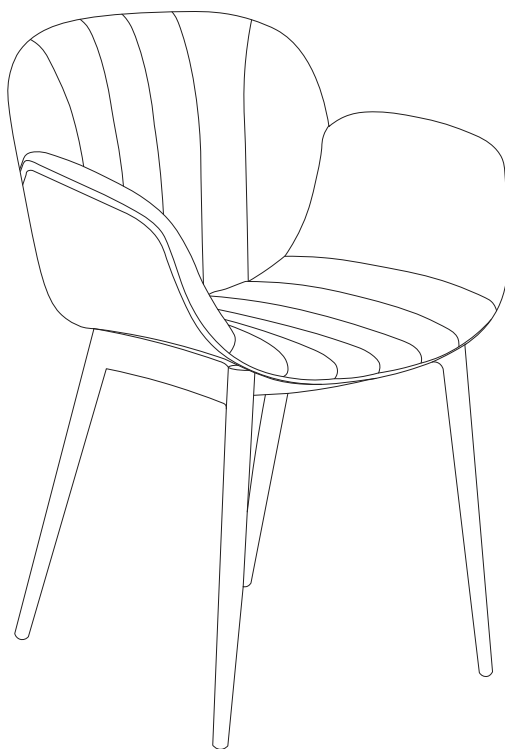
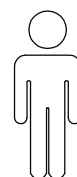
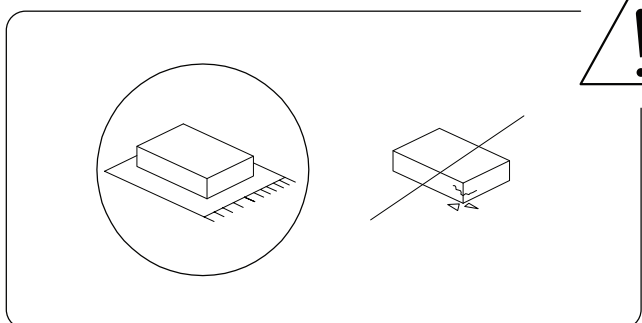


ALICE

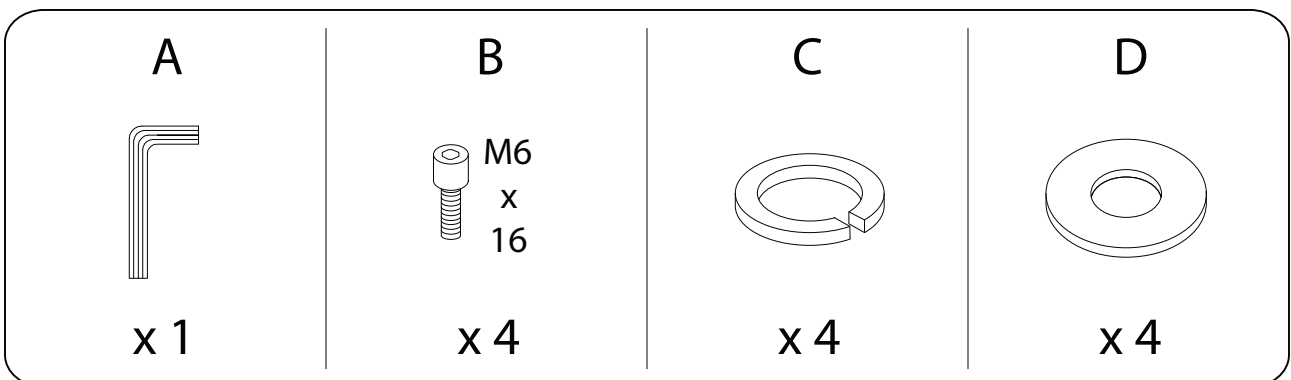
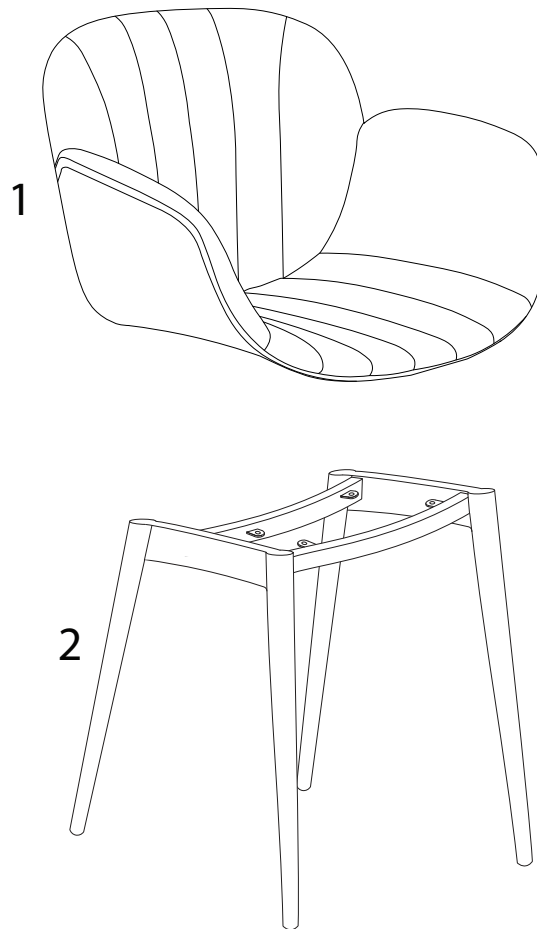
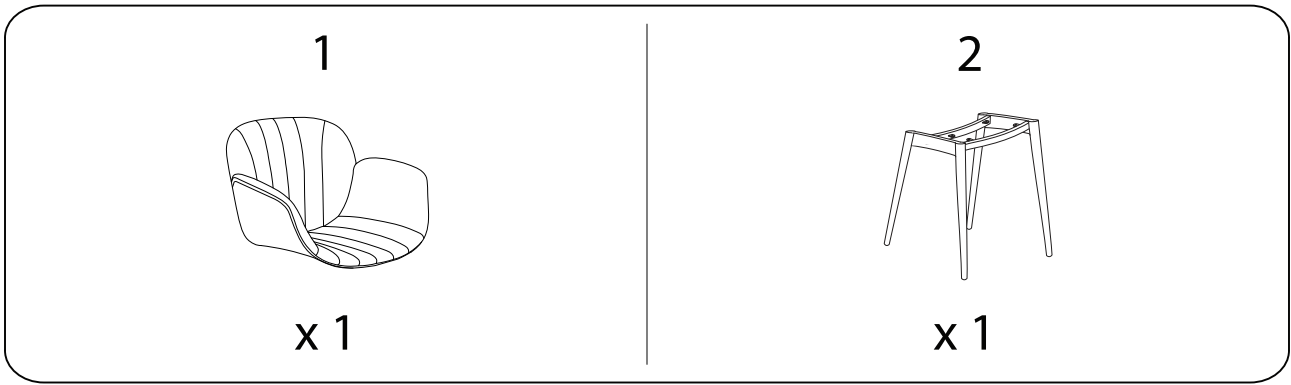




15'

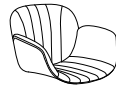


1



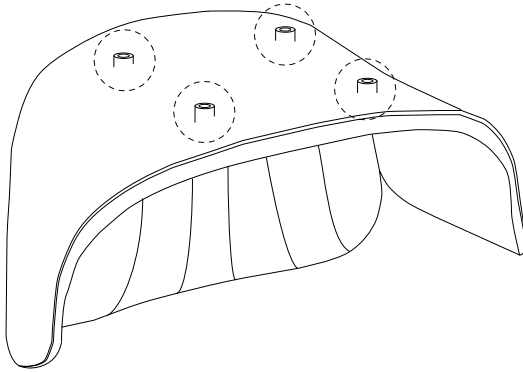
1

1

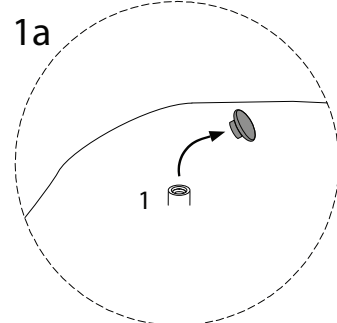


x 1

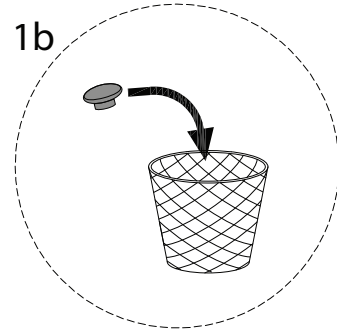
1



1a



1b



2

2



x 1

A



x 1

B



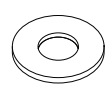
x 4

C



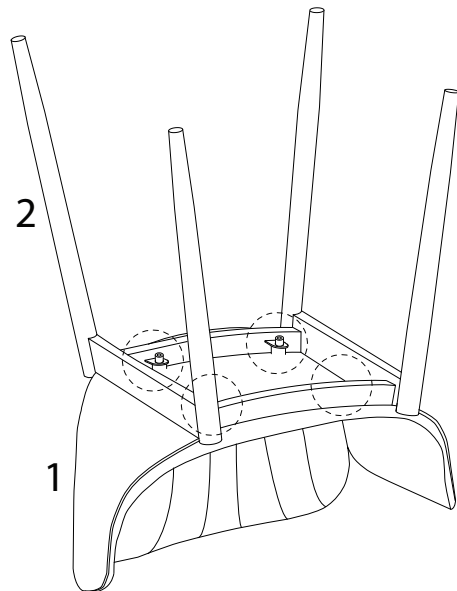
x 4

D



x 4

2



1

