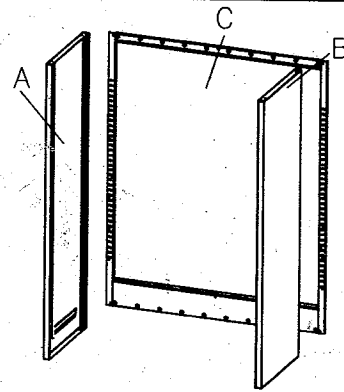
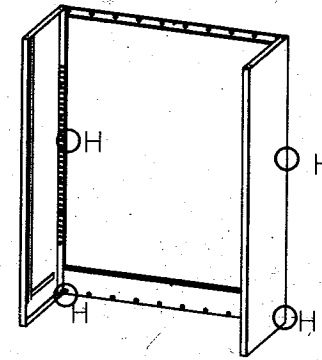


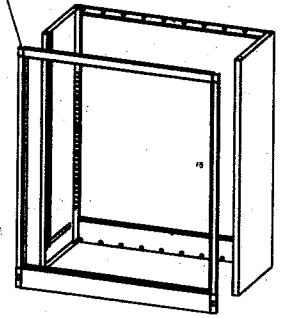
Part ID	Description	Illustration	Qty
A	Left Side Pane		1
B	Right Side Panel		1
C	Back Panel		1
D	Frame & Door		1
E	Top		1
F	Bottom		1
G	Shelf		4
H	Screw		11
I	Shelf Support		8
J	Key		2



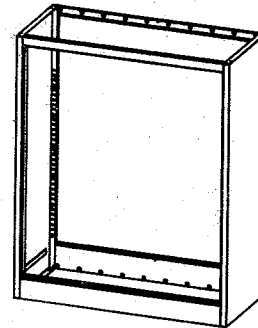
1.Link C with A,B
fix by H



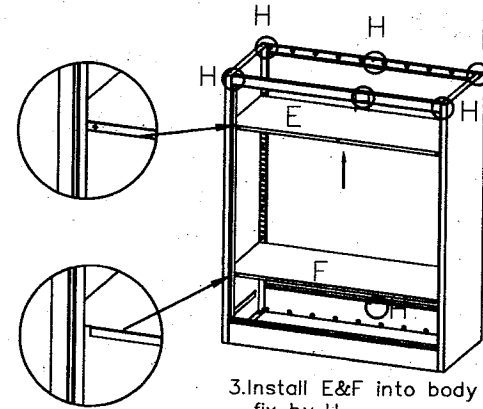
Frame



2.Link A,B with the
Frame



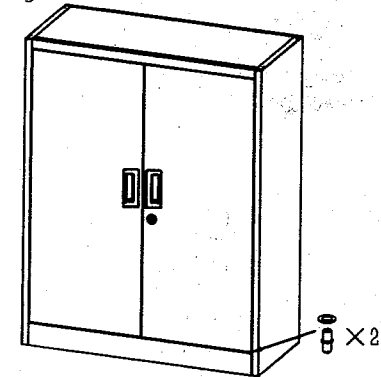
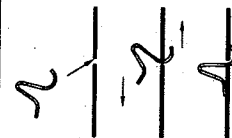
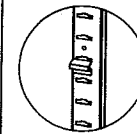
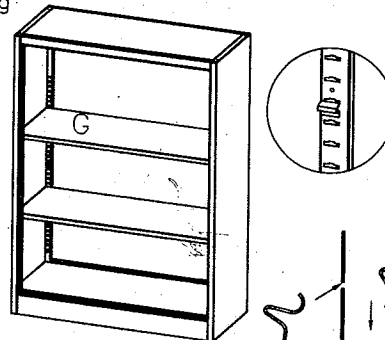
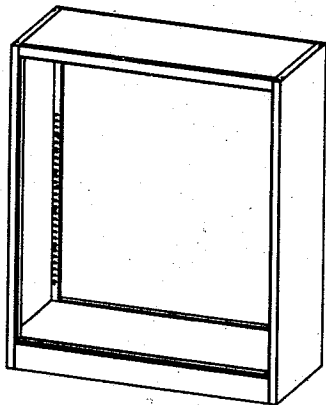
4.Install I into body of cabinet,
as shown in the following
figure



5.Install G into body of
cabinet

3.Install E&F into body of cabinet
fix by H

6.Install the door into body of cabinet
at the same time,install Revolving Pole
& Plastic gasket



X2