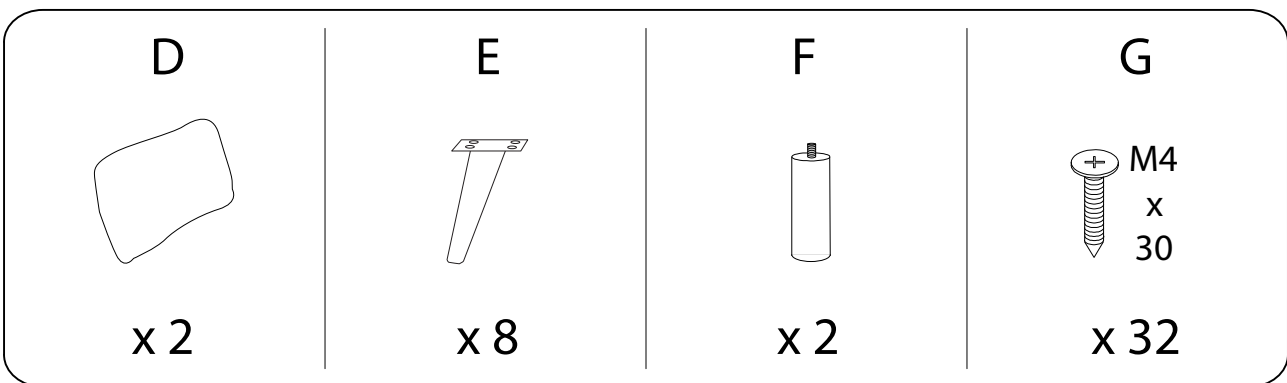
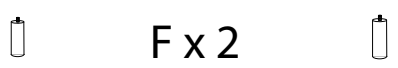
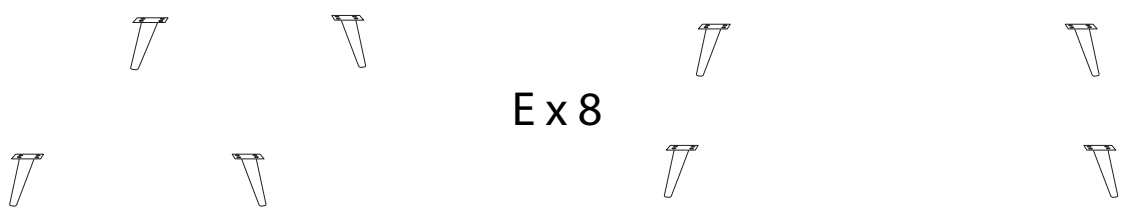
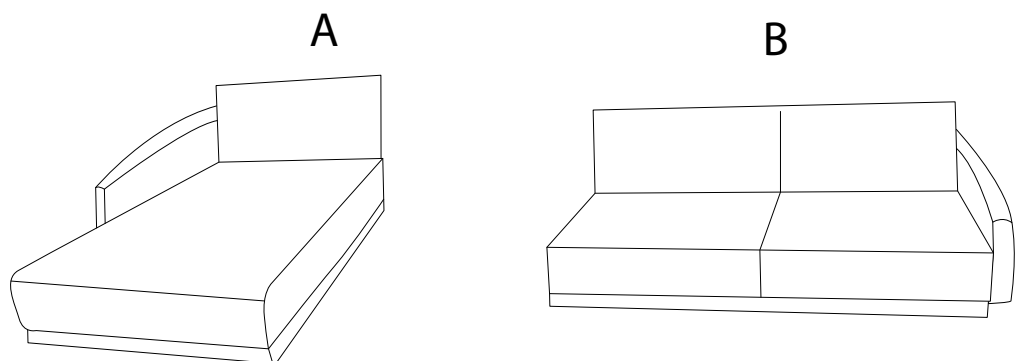
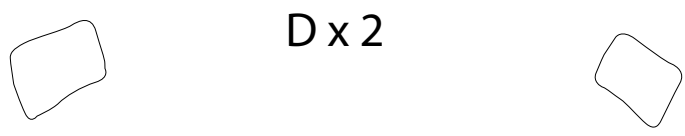
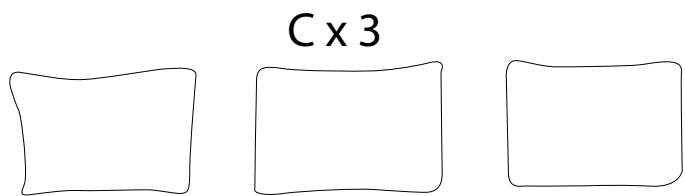
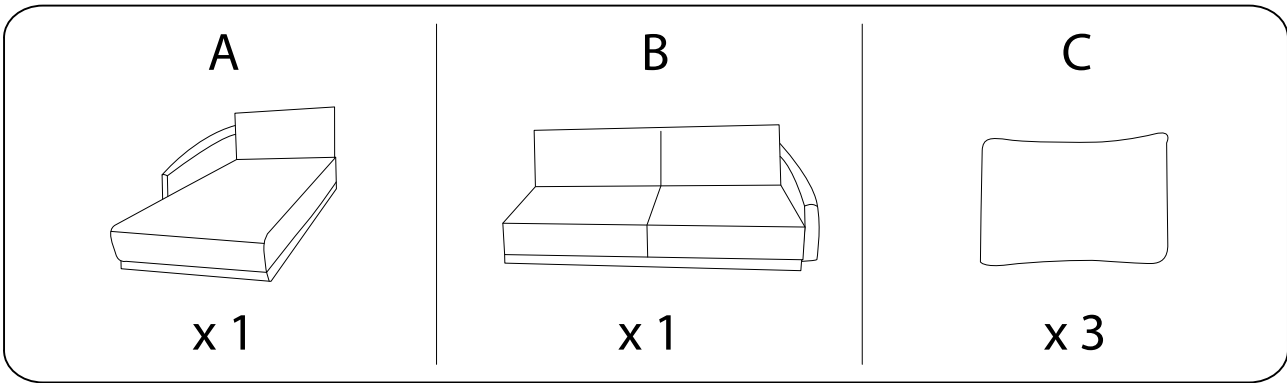


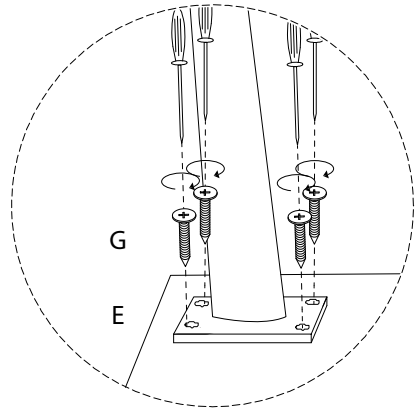
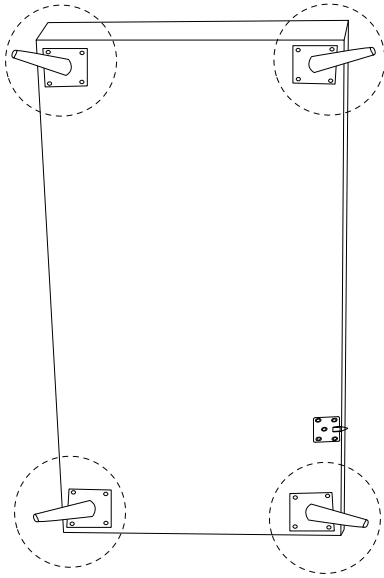
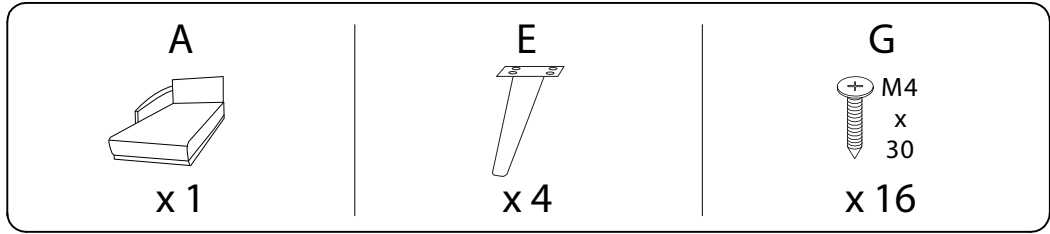
20'

1

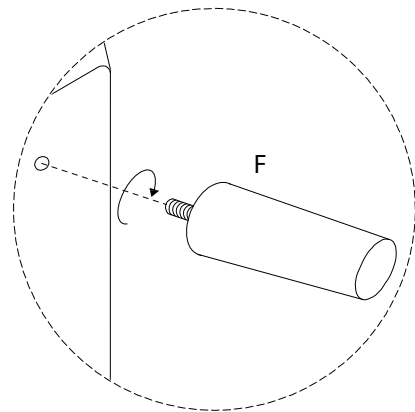
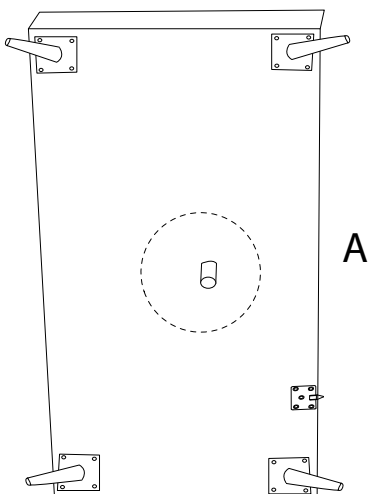
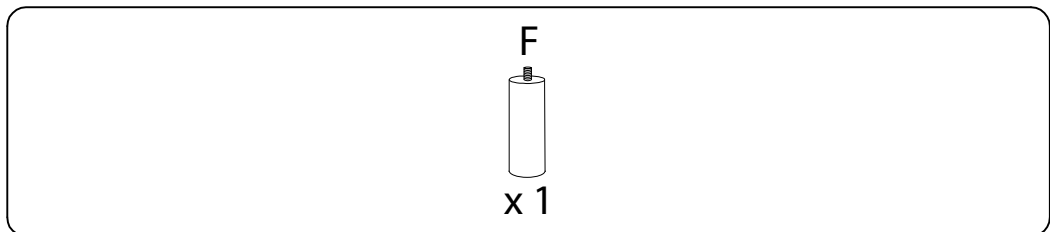
1/5



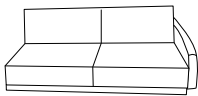


1

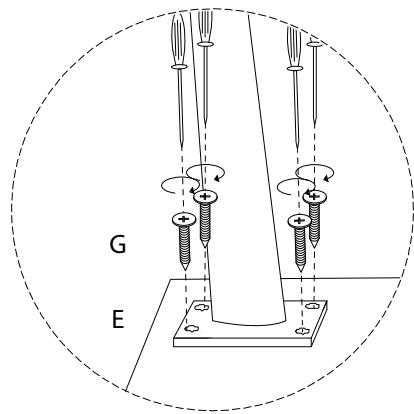
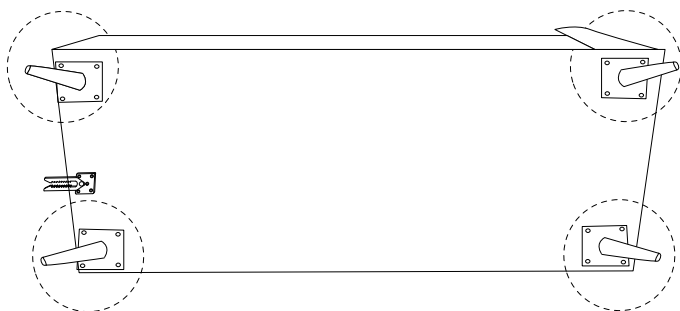


2




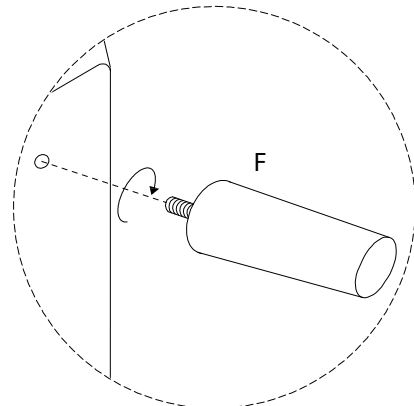
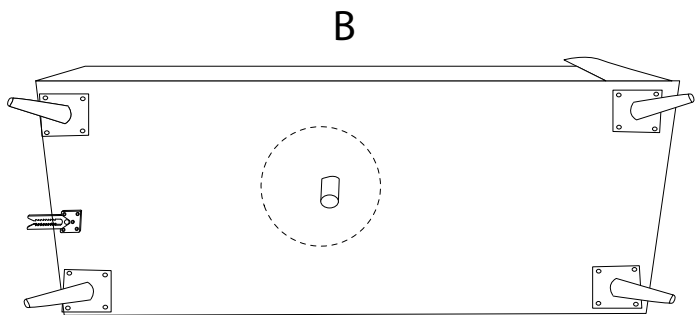
3

B  x 1	E  x 4	G  M4 x 30 x 16
--	--	---

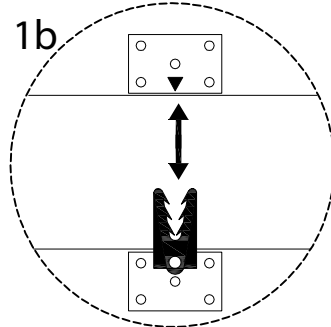
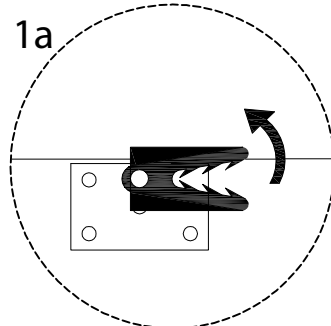
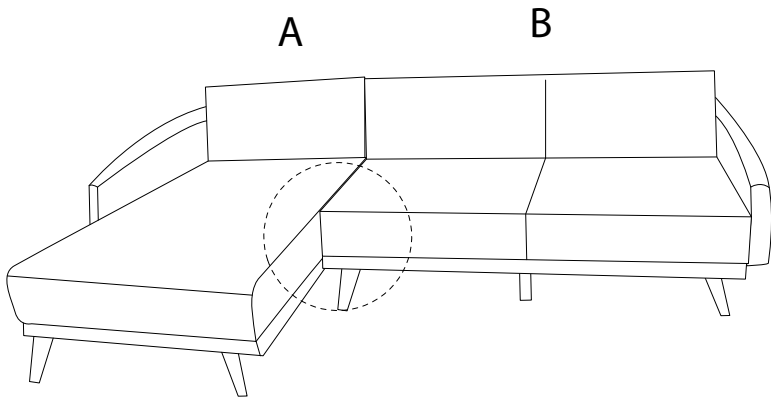


4

F  x 1
--



5



6

