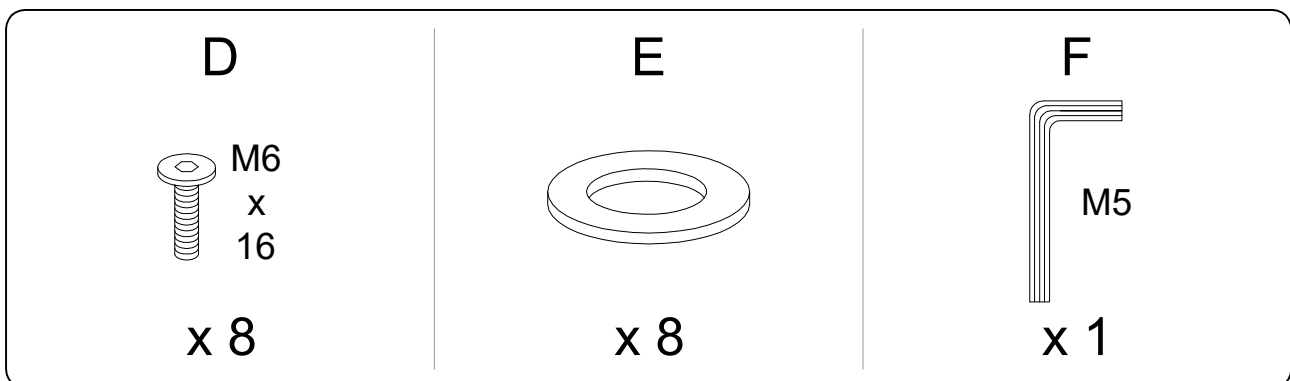
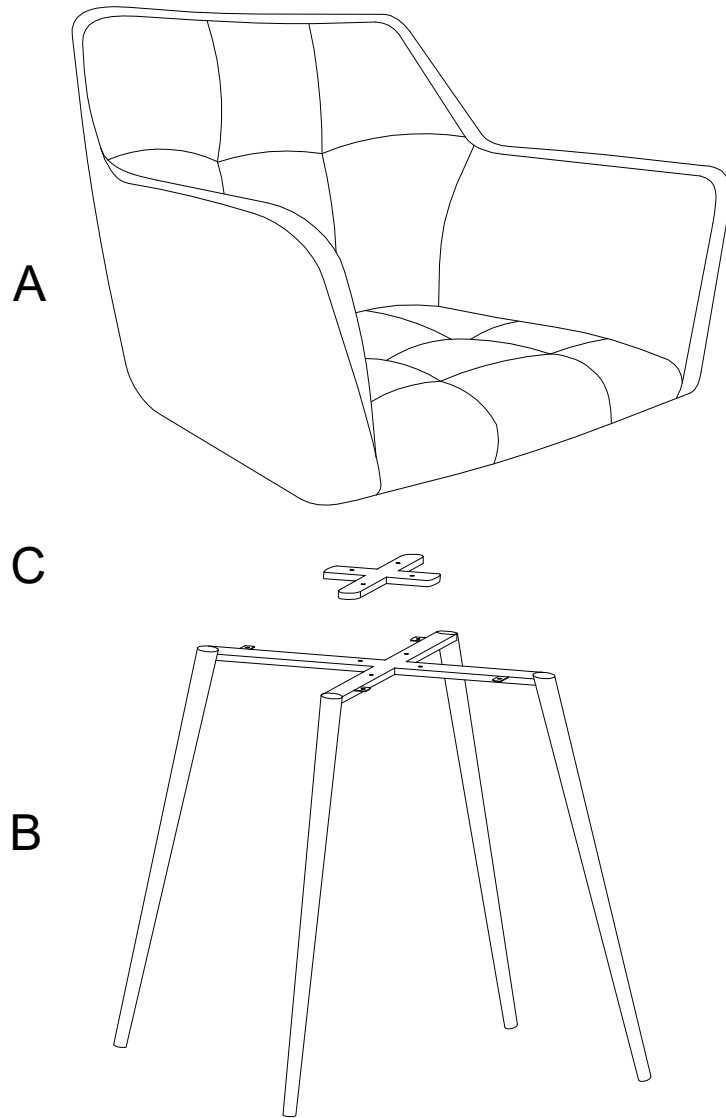
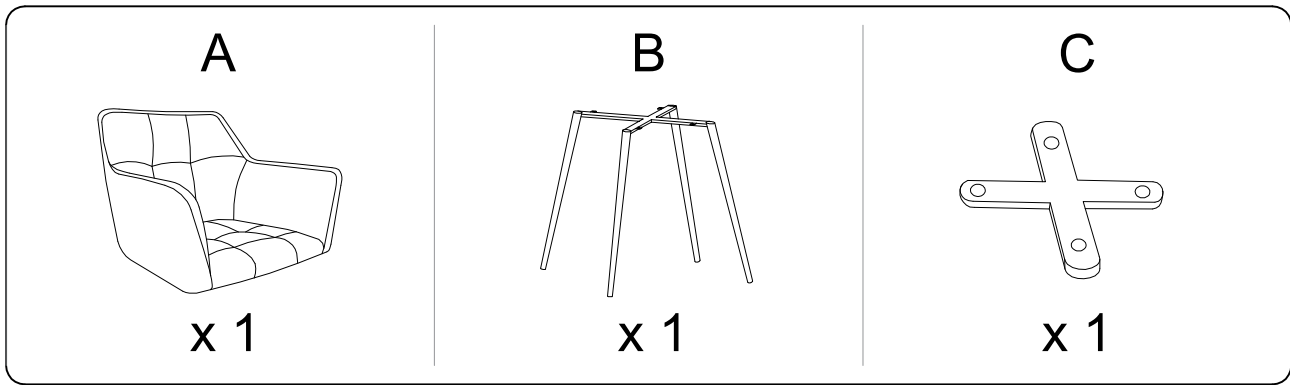


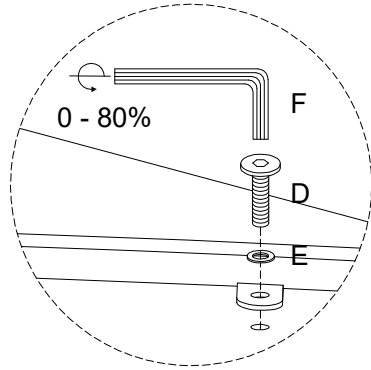
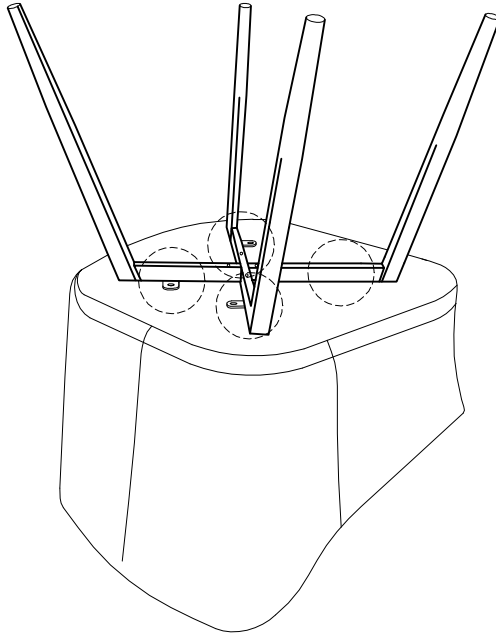
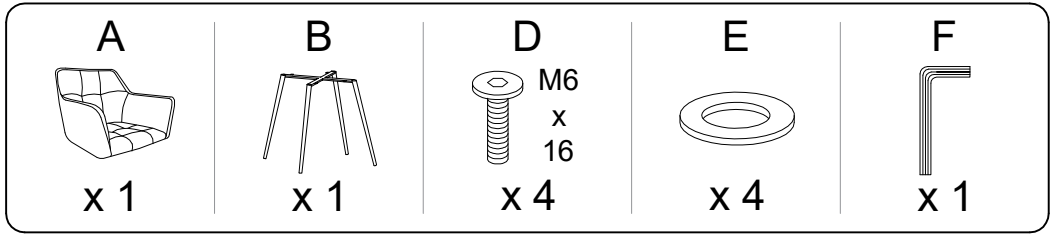


Assembly instructions for the chair, including warnings and icons:

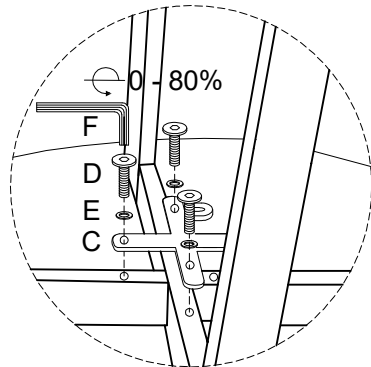
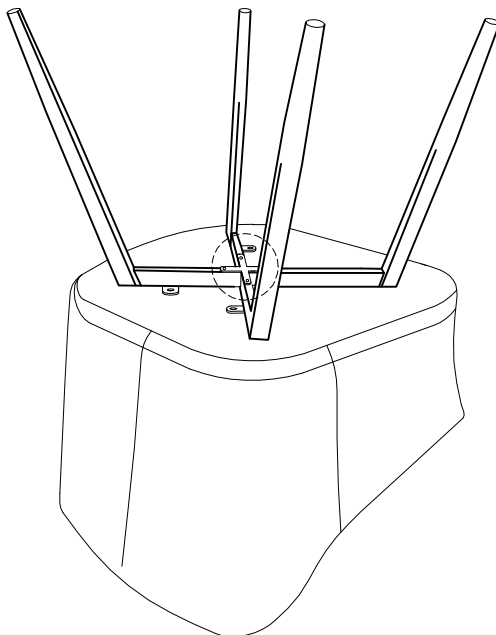
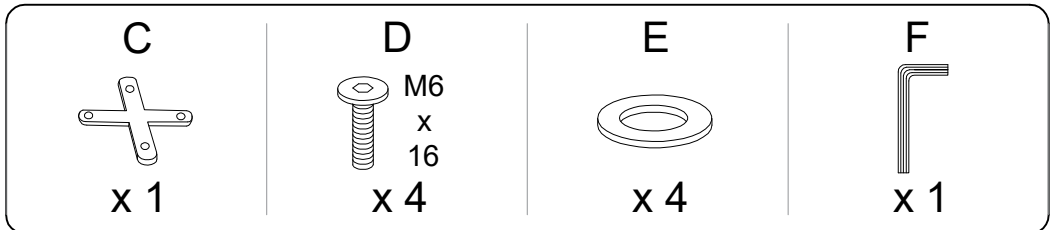
- Warning 1:** A triangle with an exclamation mark. To its left, a box contains an icon of an L-shaped metal bracket and a crossed-out power drill, indicating that a drill should not be used to install this bracket.
- Warning 2:** A triangle with an exclamation mark. To its left, a box contains an icon of a rectangular block on a textured surface and a crossed-out block with a screw, indicating that the chair should be placed on a soft surface and not directly on a hard floor.
- Time:** A clock icon with the text "30'" below it, indicating an estimated assembly time of 30 minutes.
- Person:** An icon of a person with the number "1" below it, indicating that one person is required for assembly.



1



2



3

