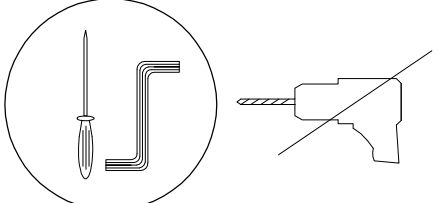

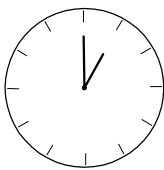
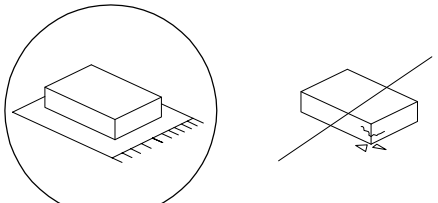


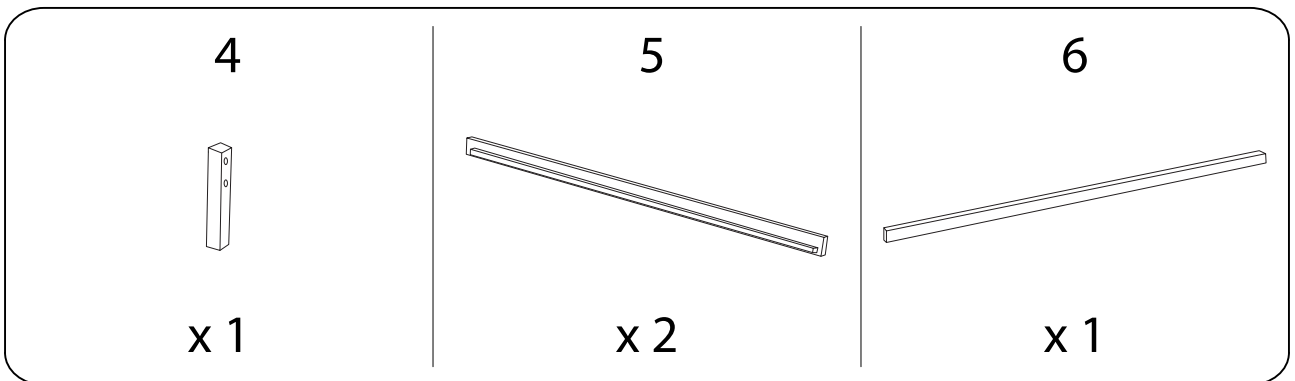
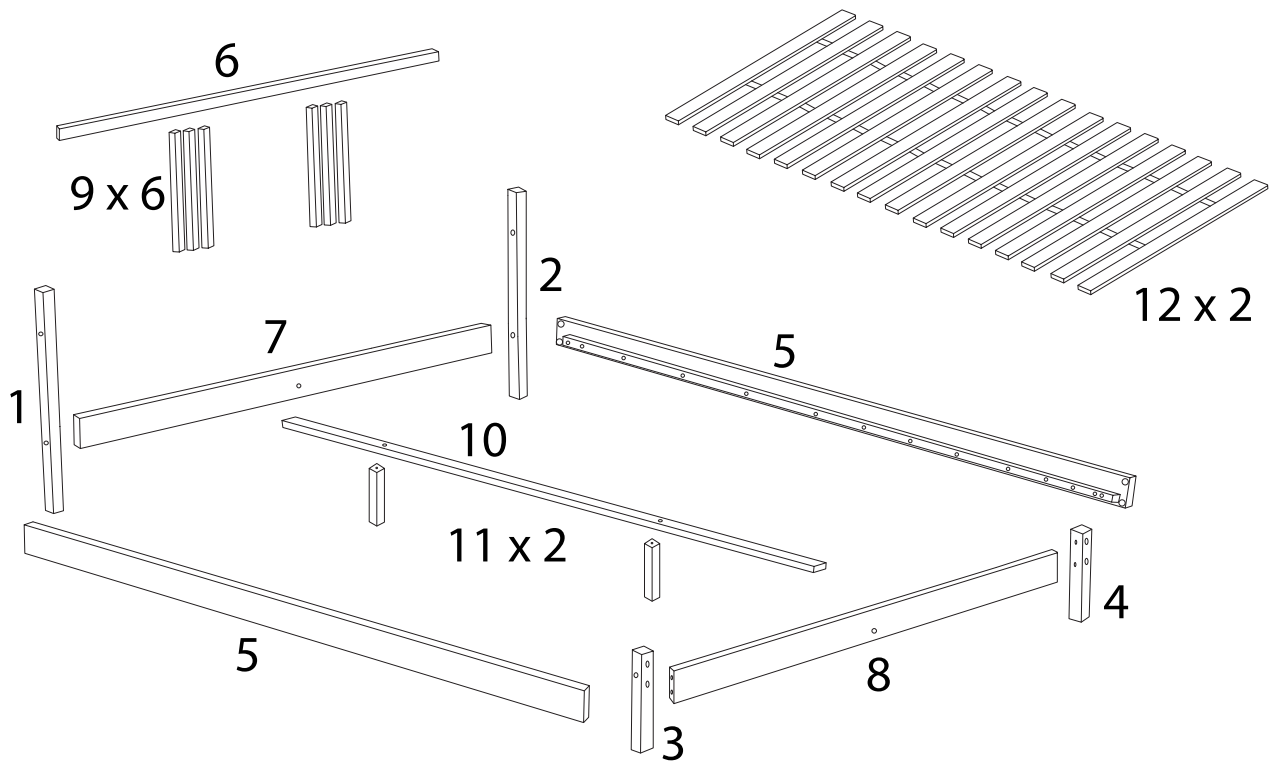
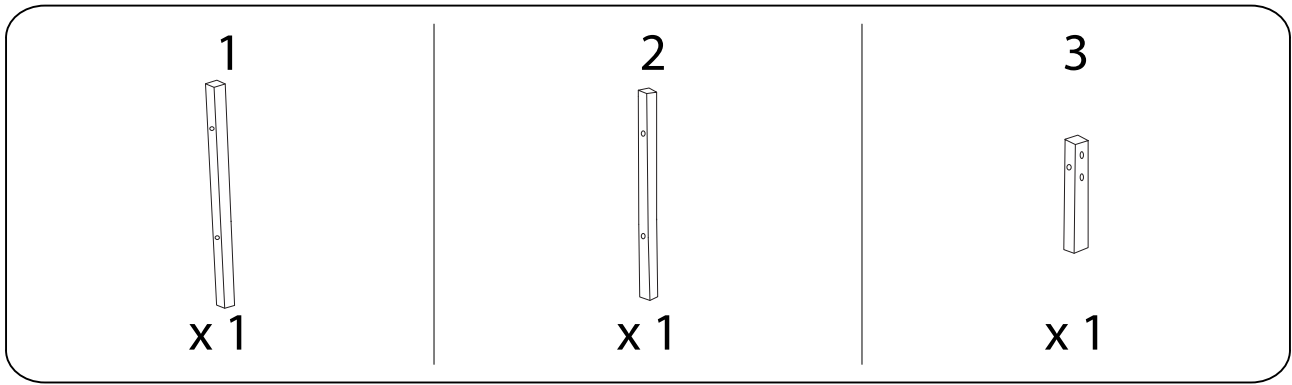
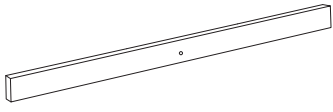


| | | |
|---|---|---|
|  |  |  |
|  |  | 60' |
| | |  |
| | | 2 |

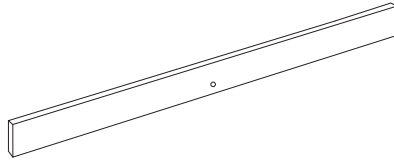


7



x 1

8



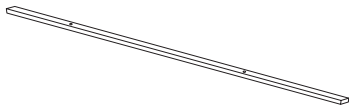
x 1

9



x 6

10



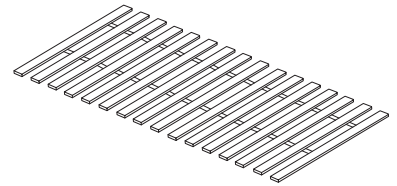
x 1

11



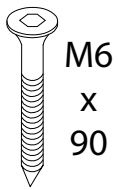
x 2

12



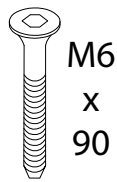
x 2

A



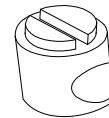
x 2

B



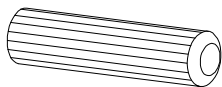
x 12

C



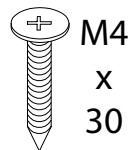
x 12

D



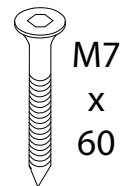
x 18

E



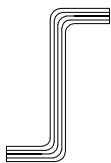
x 60

F



x 4

G



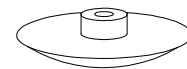
x 1

H



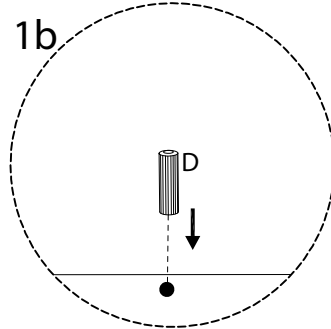
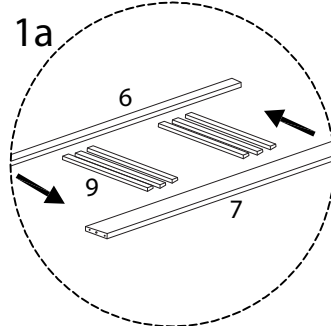
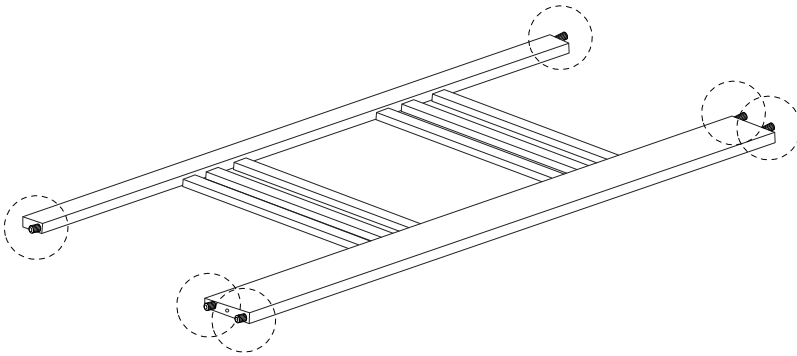
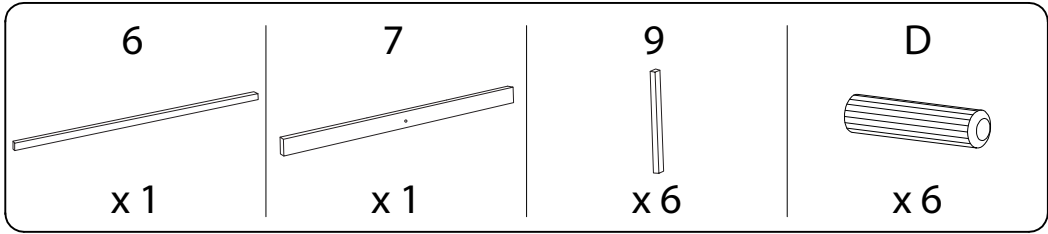
x 14

J

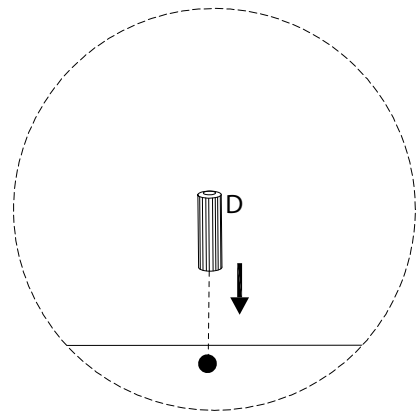
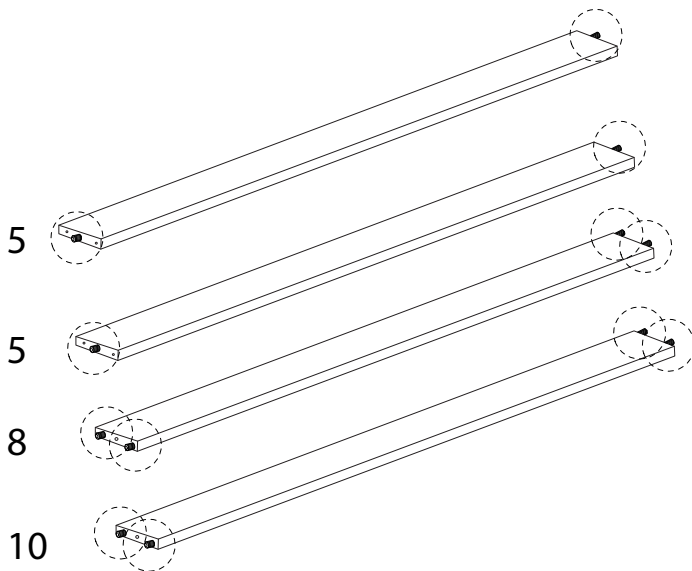
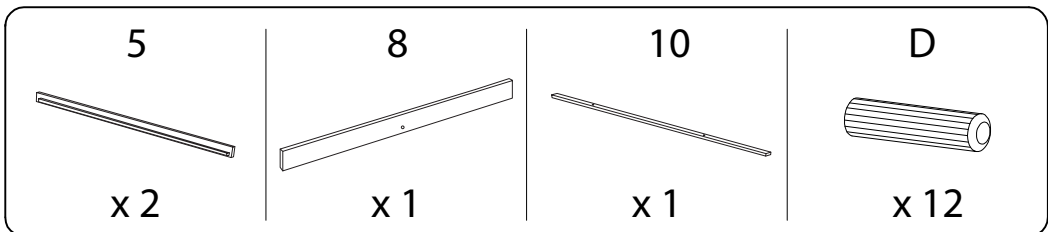


x 2

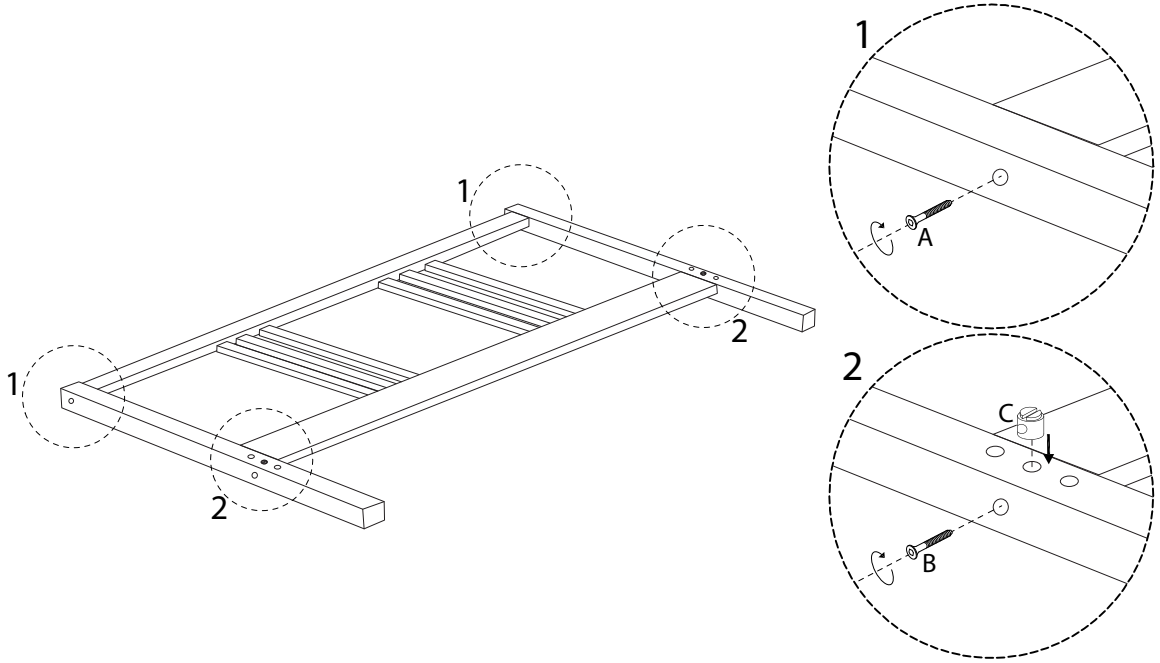
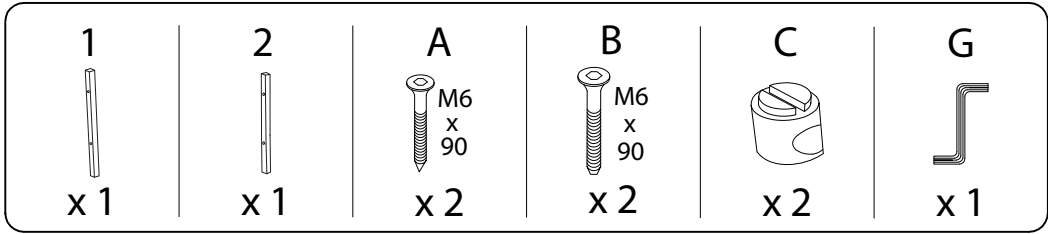
1



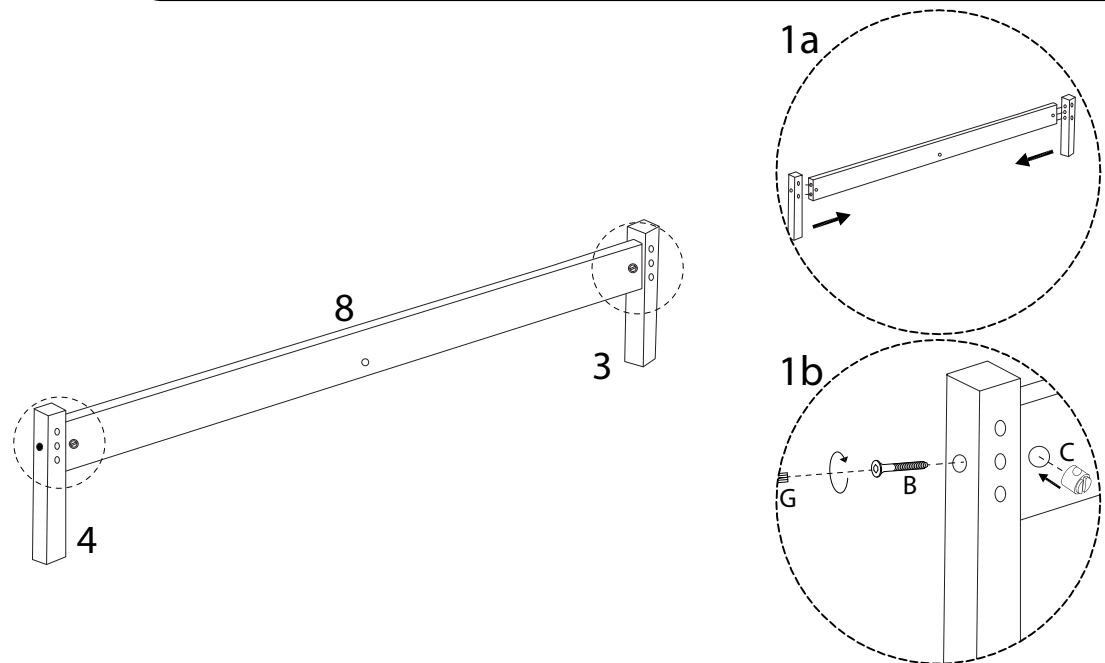
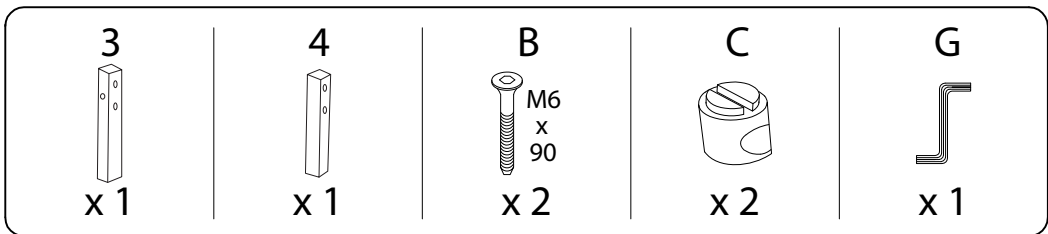
2



3

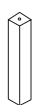


4



5

11



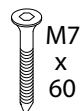
x 2

G

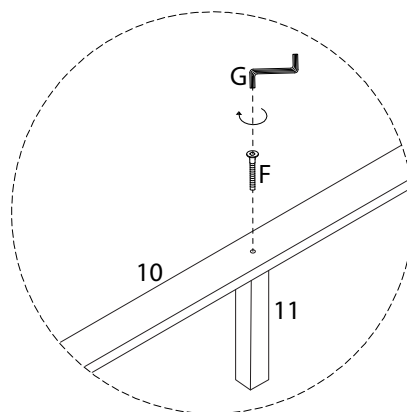
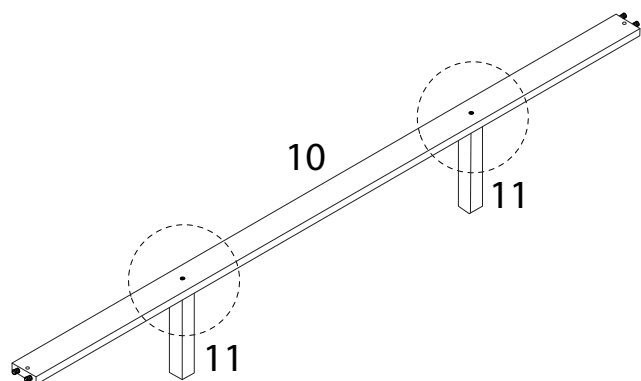


x 1

F



x 2



6

B



x 8

C

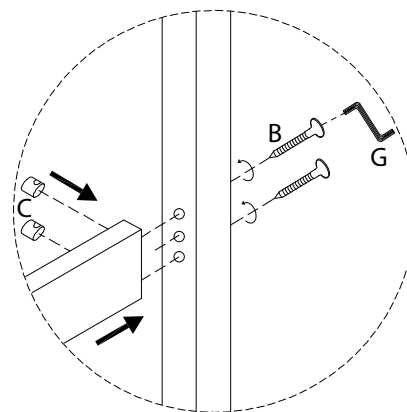
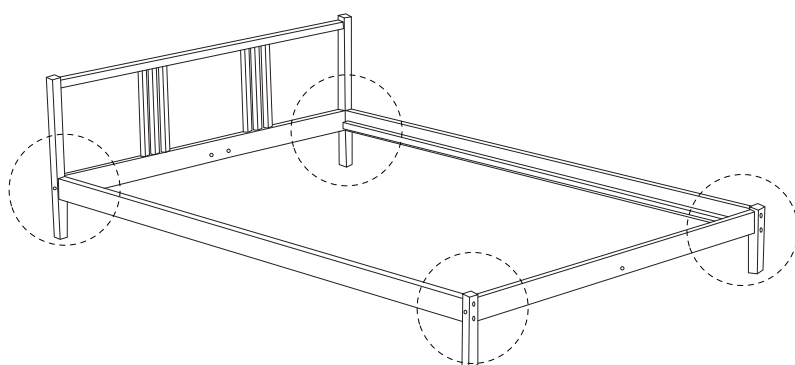


x 8

G



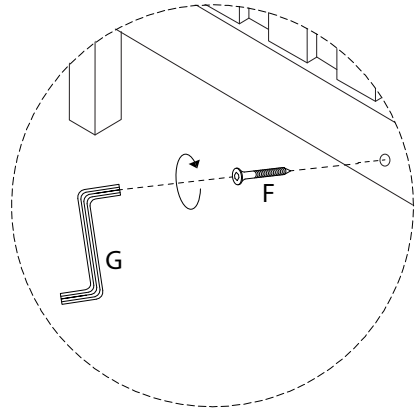
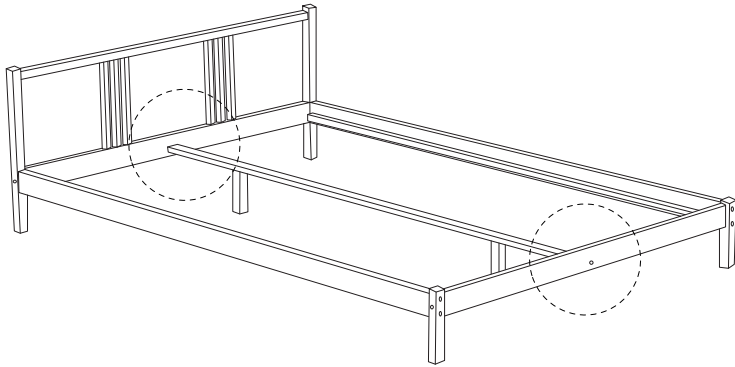
x 1



7

F
M7
x
60
x 2

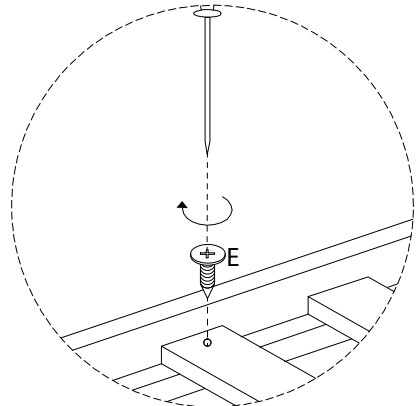
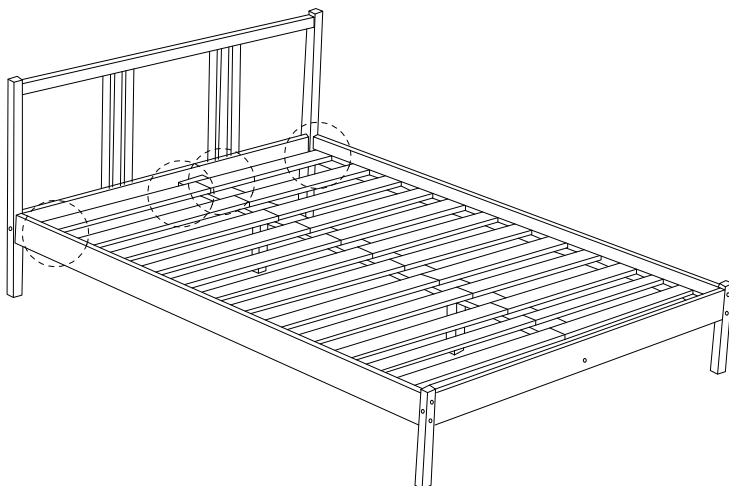
G
x 1



8

12
x 2

E
M4
x
30
x 60

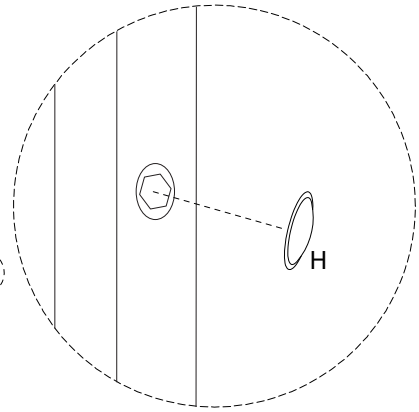
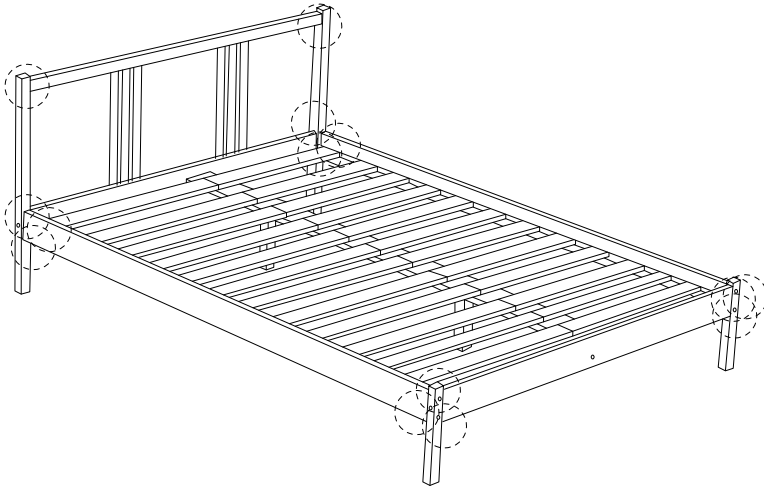


9

H

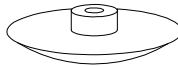


x 14



10

J



x 2

