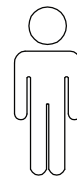
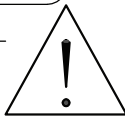
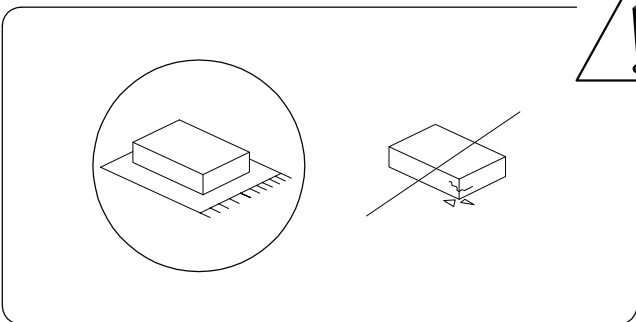
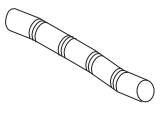
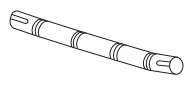
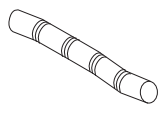
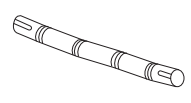


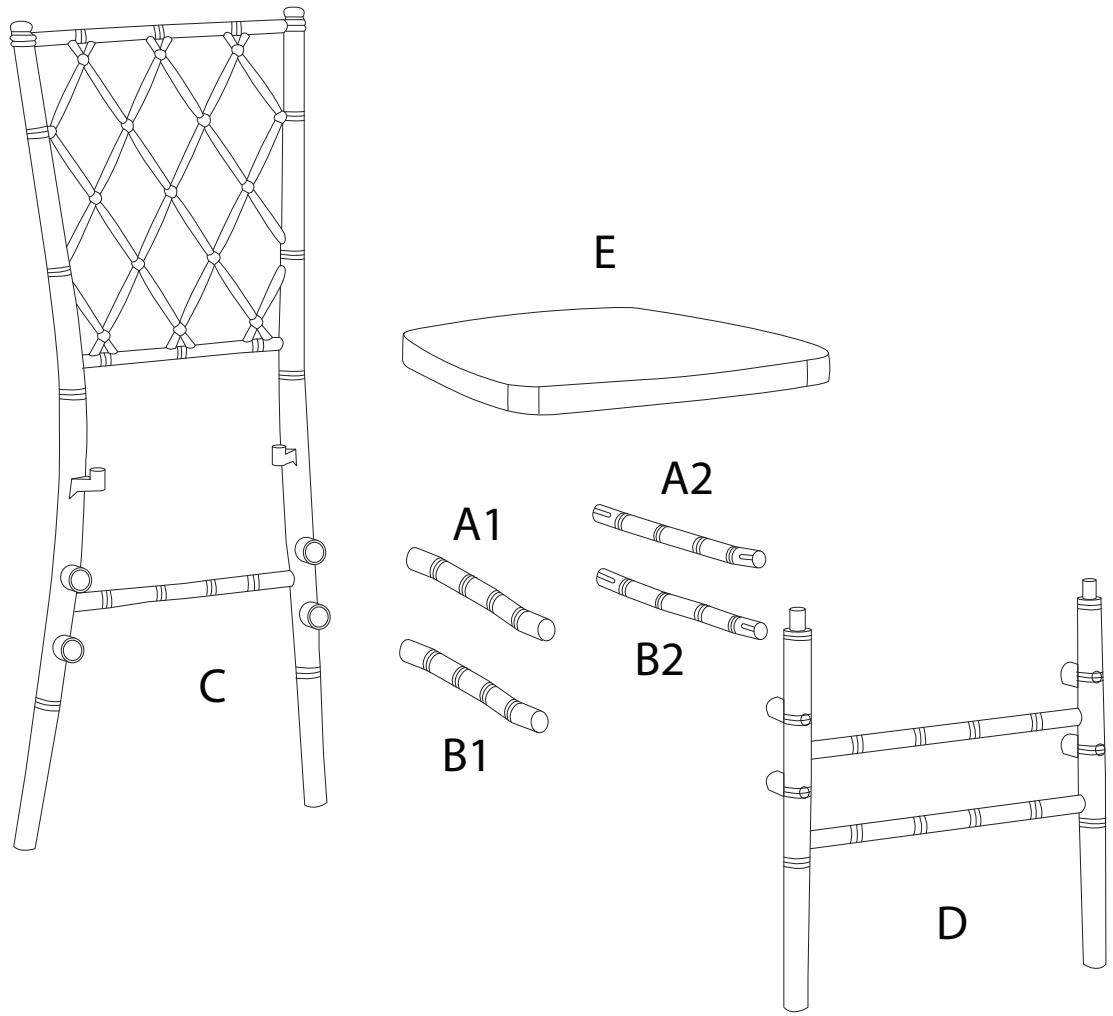
15'

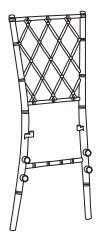
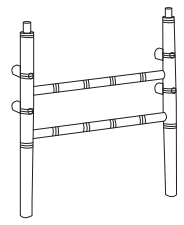

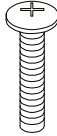
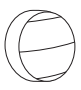


1

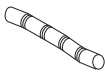

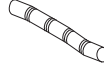
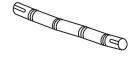
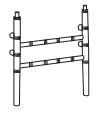
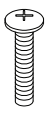
1/5

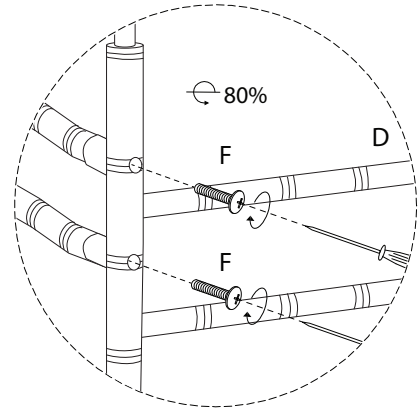
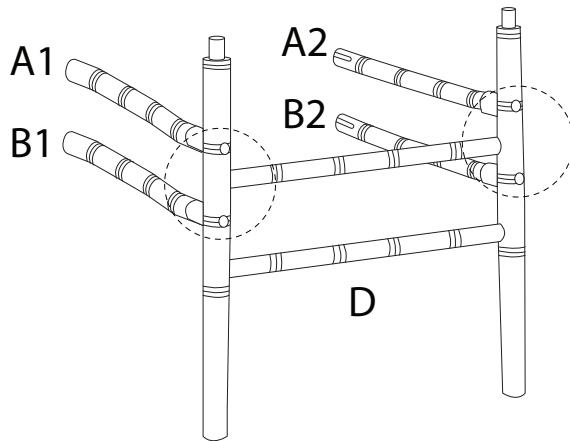
A1	A2	B1	B2
			
x 1	x 1	x 1	x 1




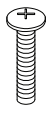
C	D	E	F	G
			 M6 x 25	
x 1	x 1	x 1	x 10	x 8

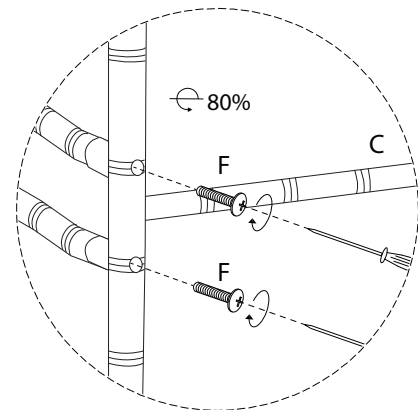
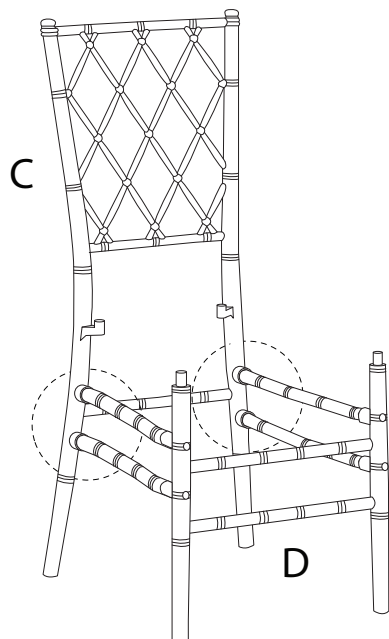
1

A1  x 1	A2  x 1	B1  x 1	B2  x 1	D  x 1	F  M6 x 25 x 4
--	--	--	---	---	---



2

C  x 1	F  M6 x 25 x 4
---	---



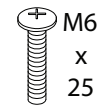
3

E

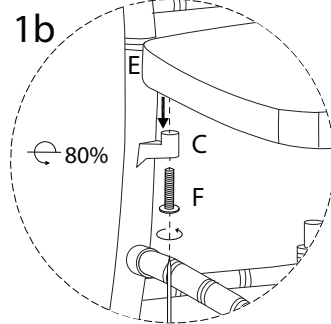
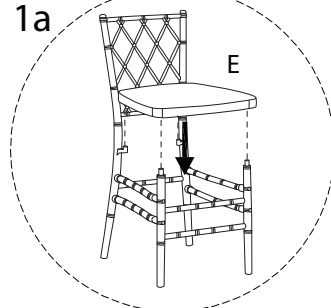
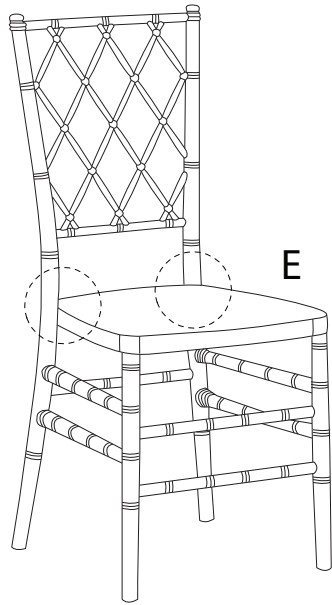


x 1

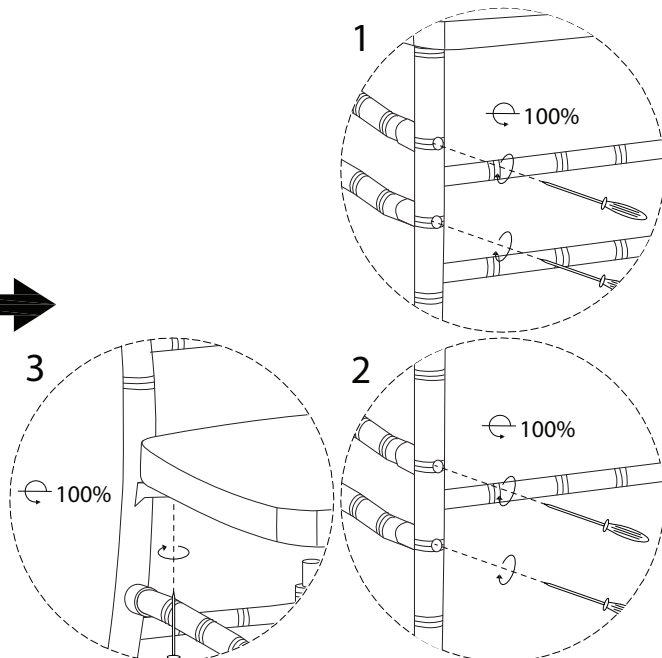
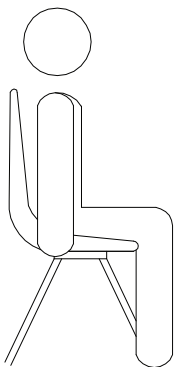
F



x 2



4



5

G



x 8

