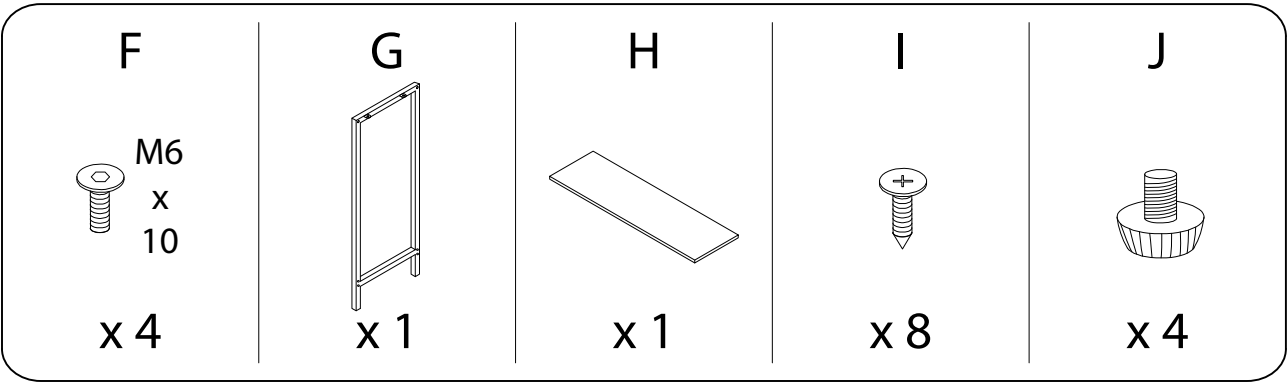
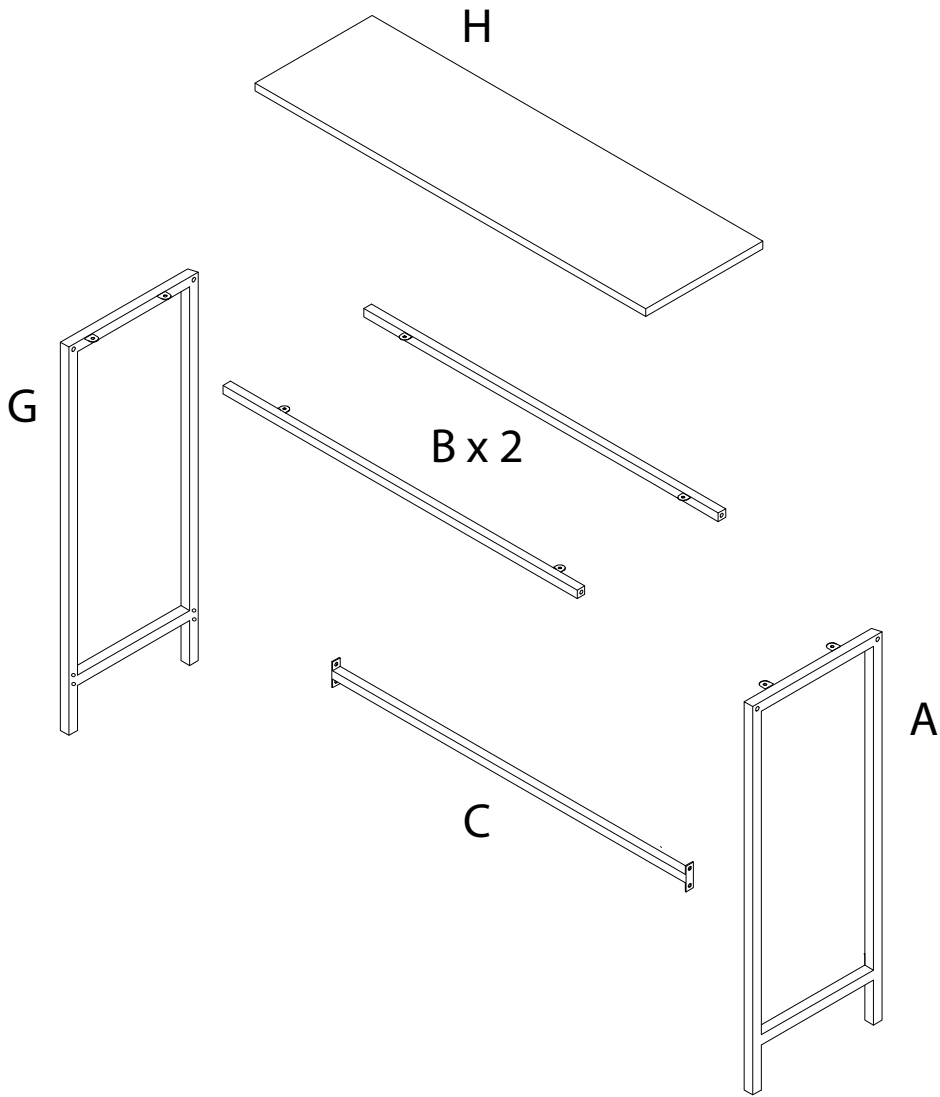
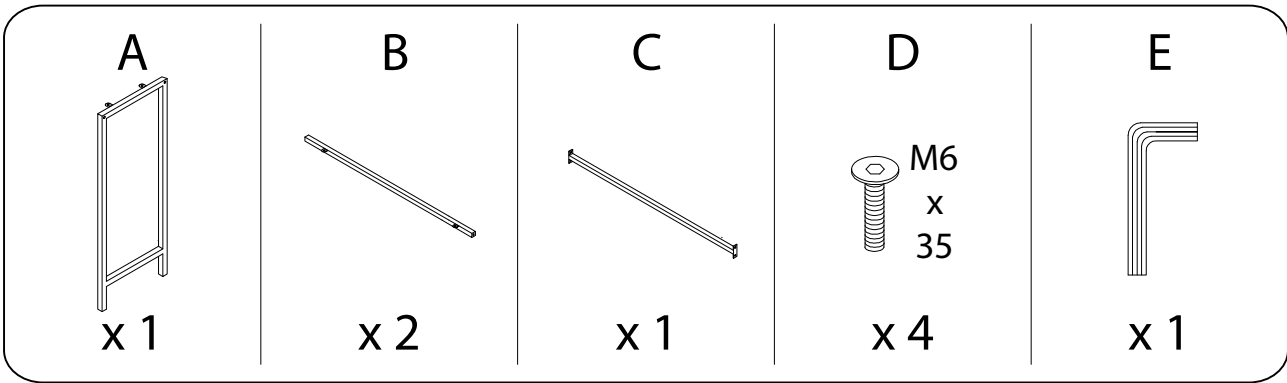
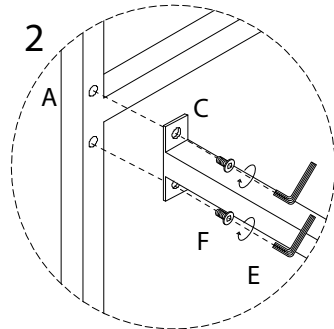
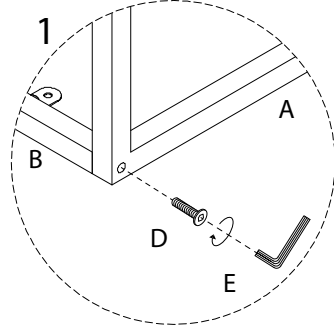
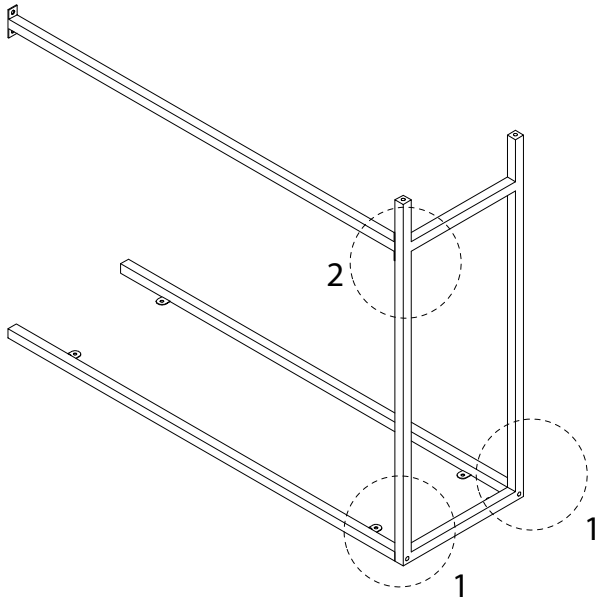
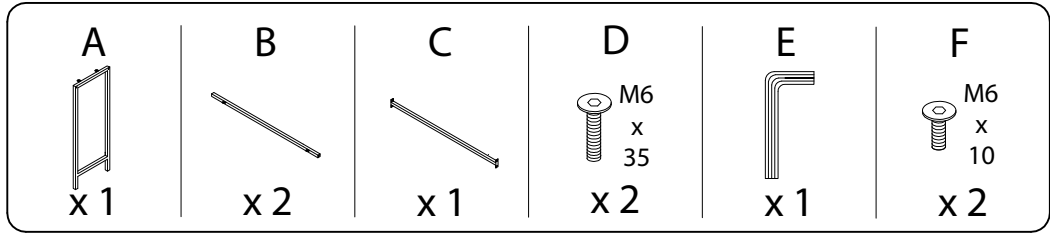


30'

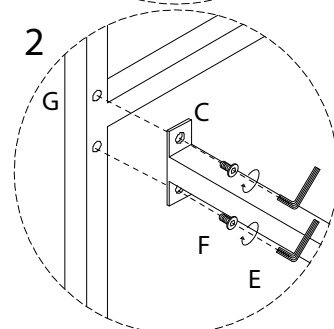
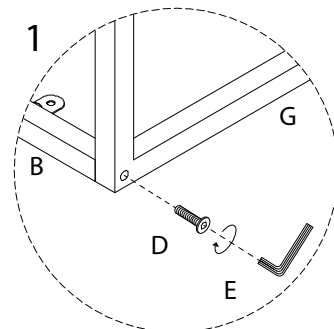
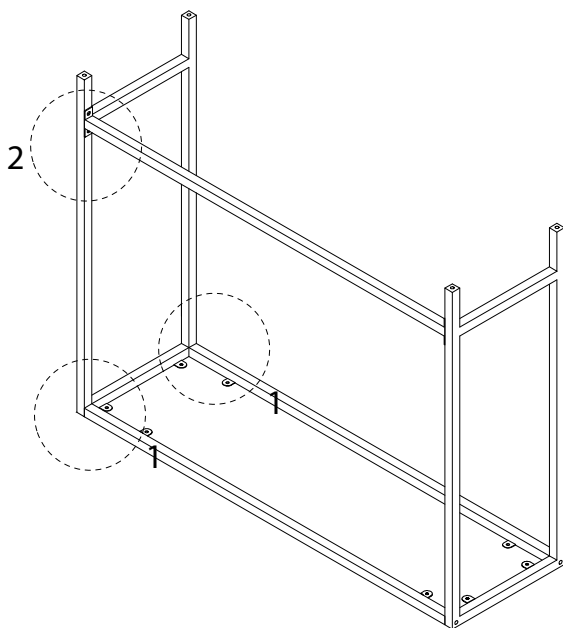
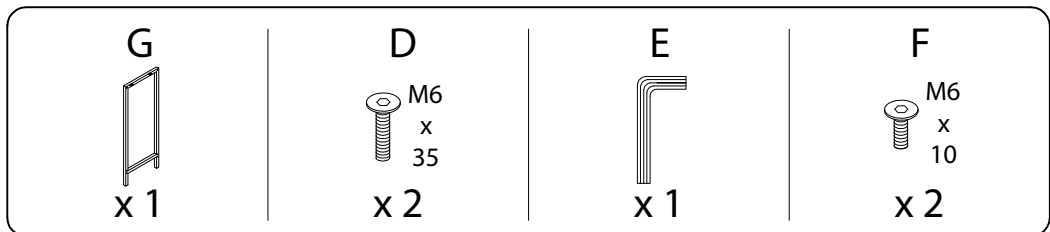
1



1

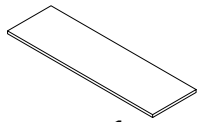


2



3

H

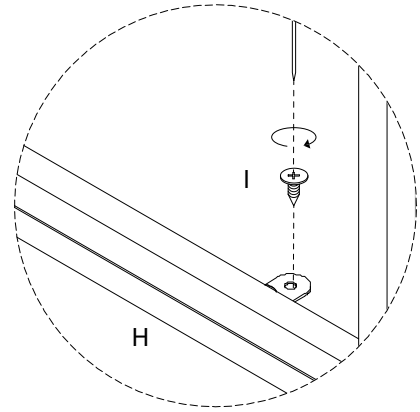
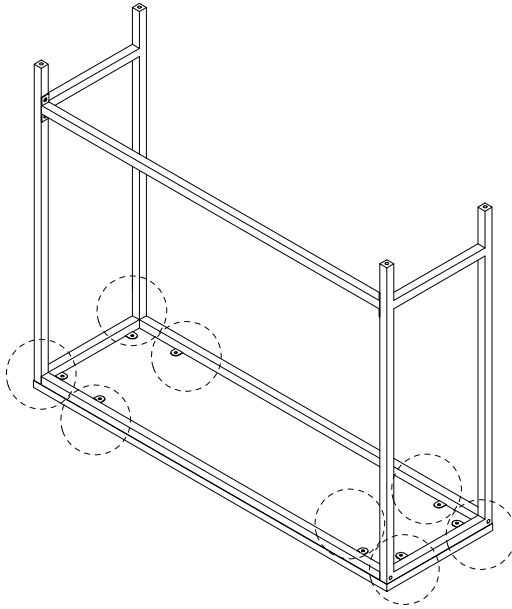


x 1

I



x 8



4

J



x 4

