

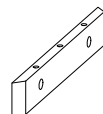
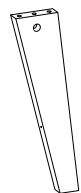

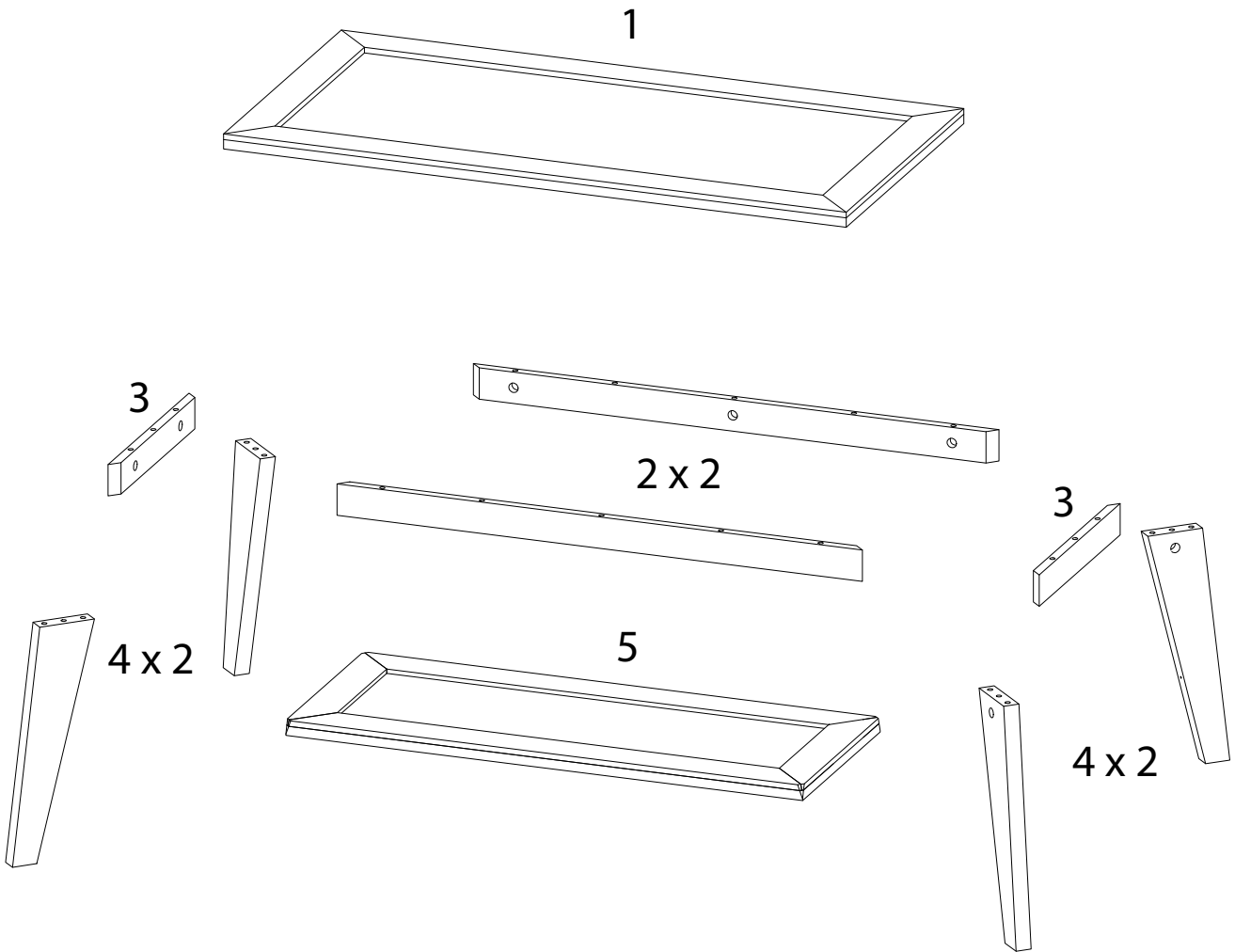
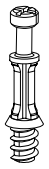
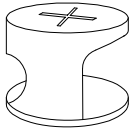

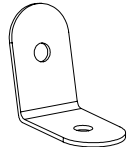



Assembly instructions for step 1/6:

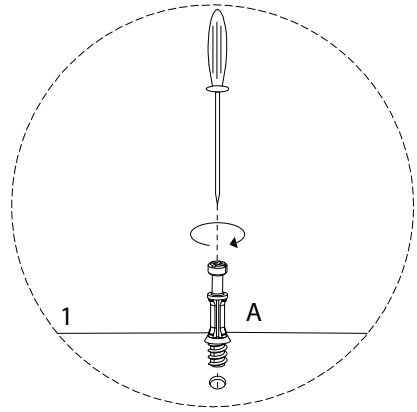
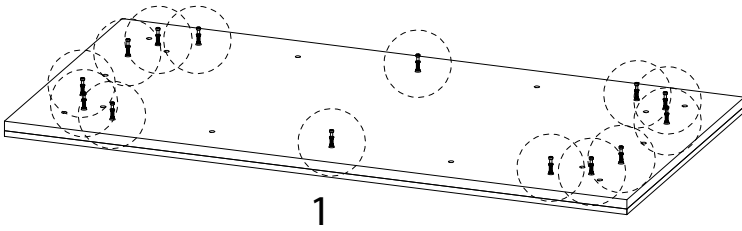
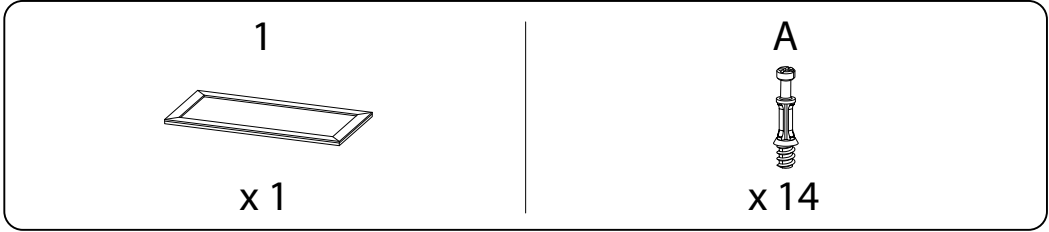
- Tools:** A screwdriver is shown as the required tool. A power drill is shown with a diagonal line through it, indicating it is not to be used.
- Warning:** A warning triangle with an exclamation mark is positioned to the right of the tool icons.
- Time:** A clock icon indicates that this step takes 30 minutes.
- Personnel:** An icon of a person indicates that two people are required for this step.

1	2	3	4	5
				
x 1	x 2	x 2	x 4	x 1

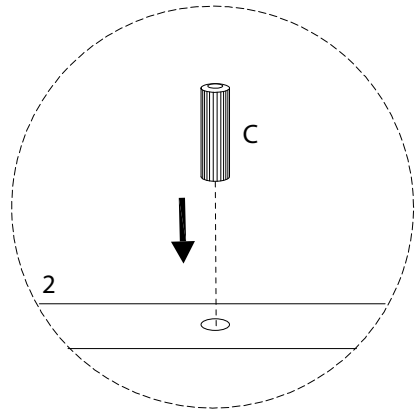
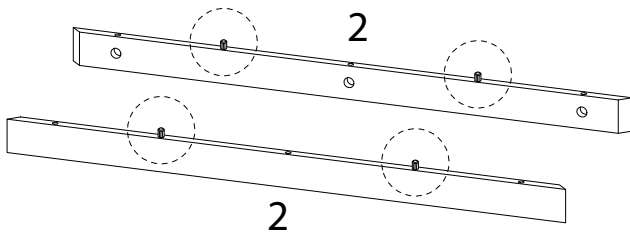
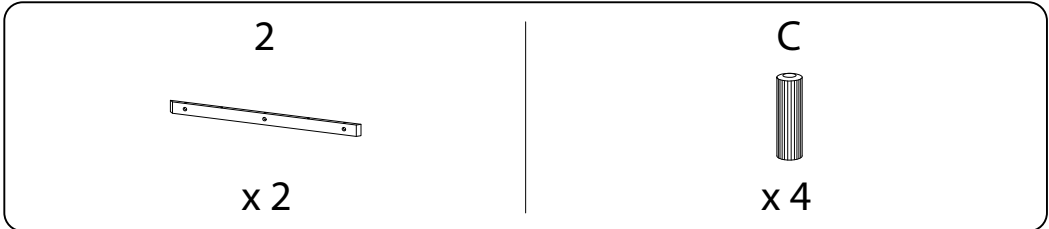


A	B	C	D	E
				
x 14	x 14	x 14	x 4	M5 x 10 x 8

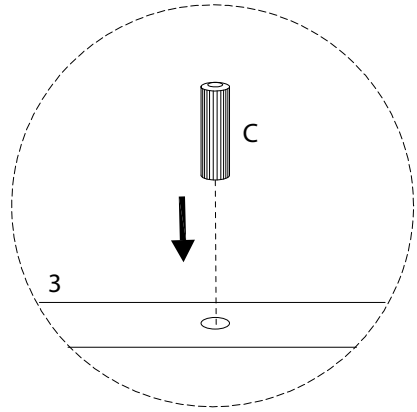
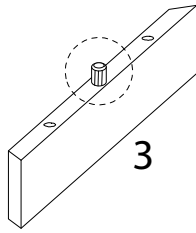
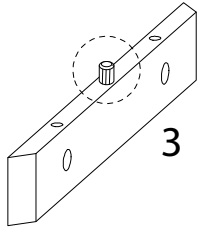
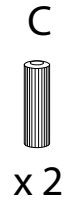
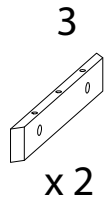
1



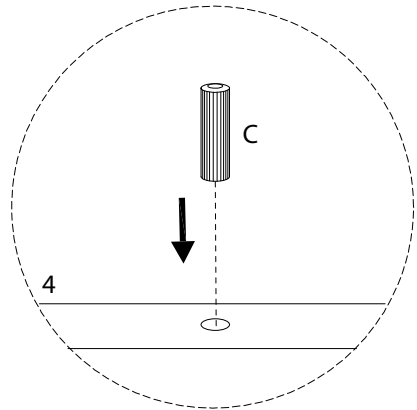
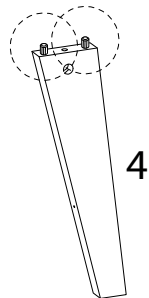
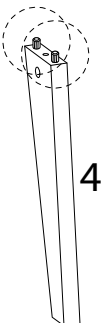
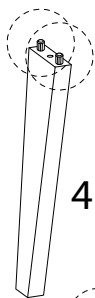
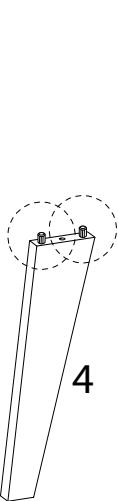
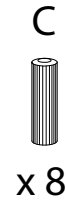
2



3



4

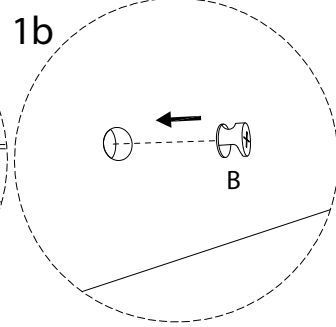
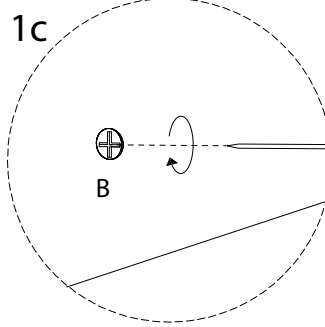
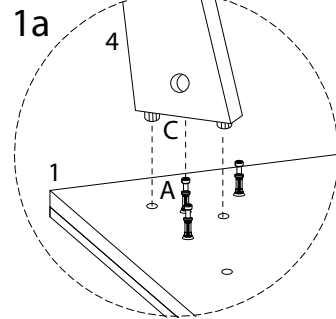
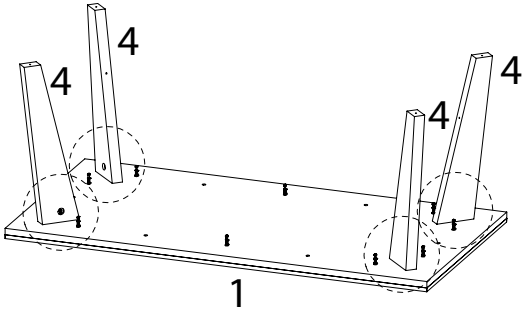


5

B



x 4

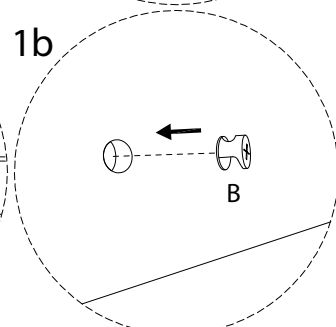
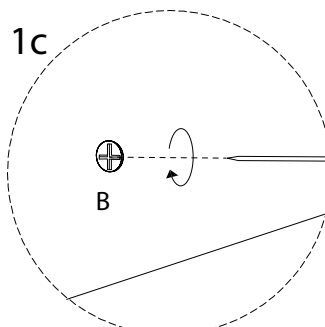
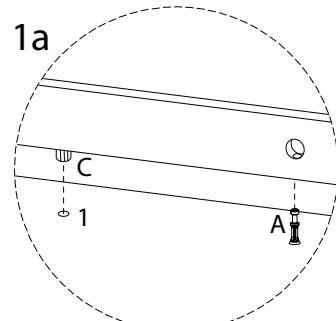
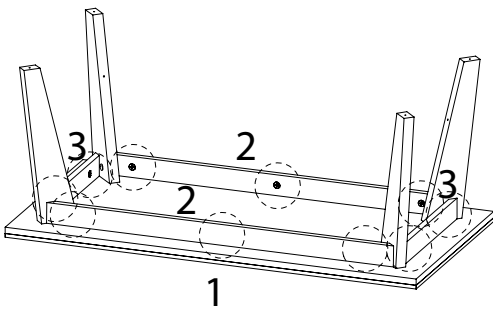


6

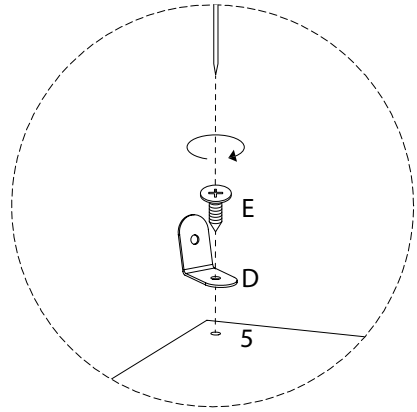
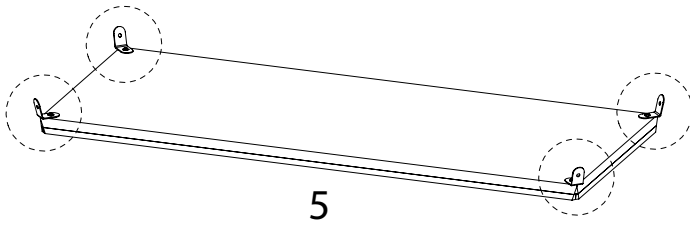
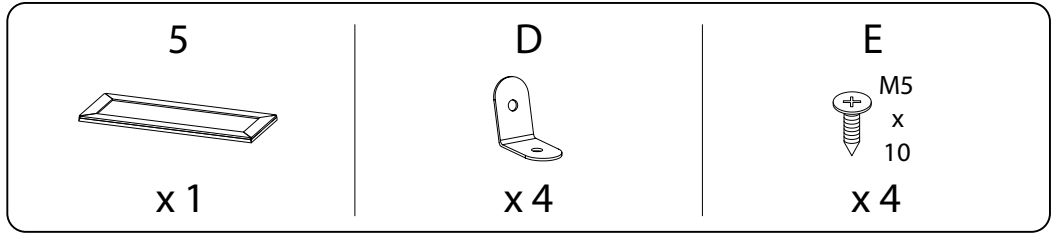
B



x 10



7



8

