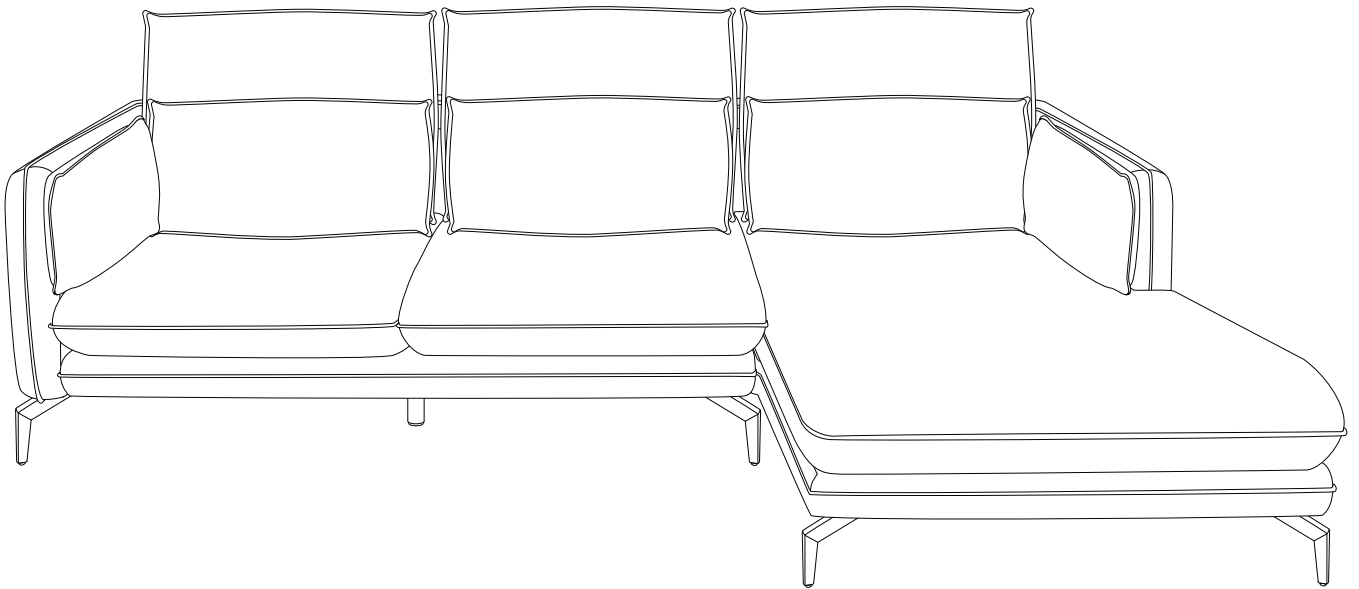
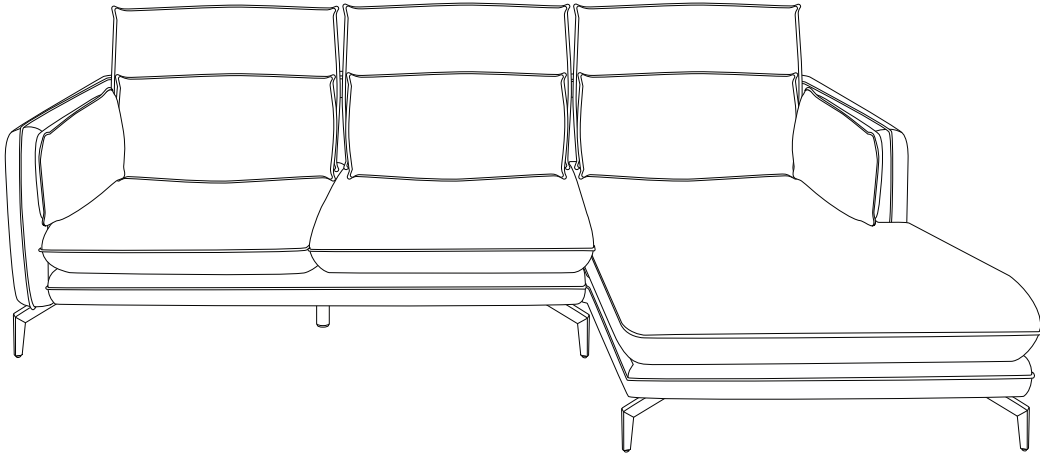


# GALLO

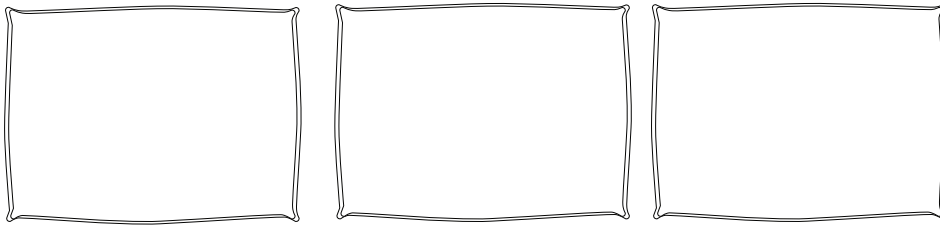




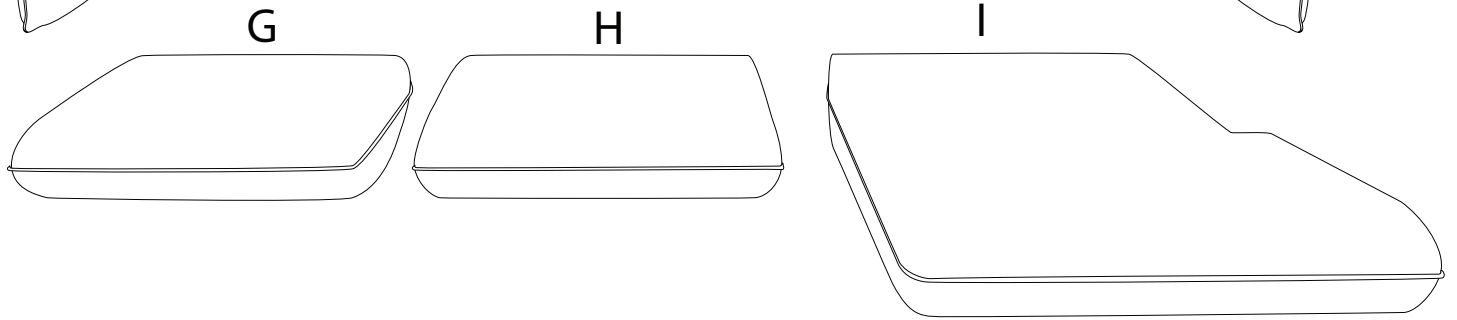
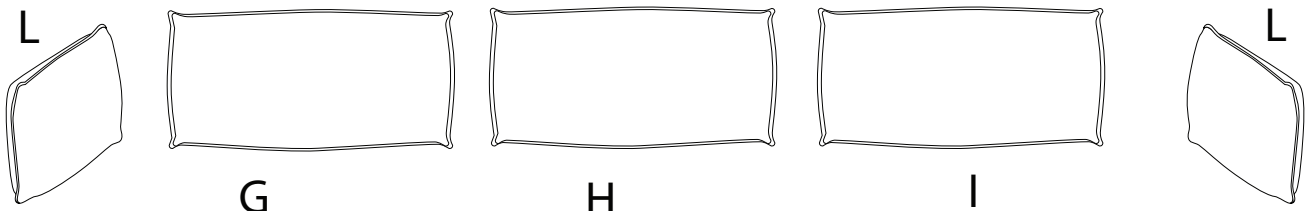
Assembly instructions for step 1/6:

- Tools:** A circle containing a screwdriver and an L-shaped Allen key. A power drill is shown with a diagonal line through it, indicating it should not be used.
- Warning:** A triangle with an exclamation mark.
- Time:** A clock icon with the text "20'" below it, indicating an estimated assembly time of 20 minutes.
- Personnel:** A stick figure icon with the number "2" below it, indicating that two people are required for assembly.

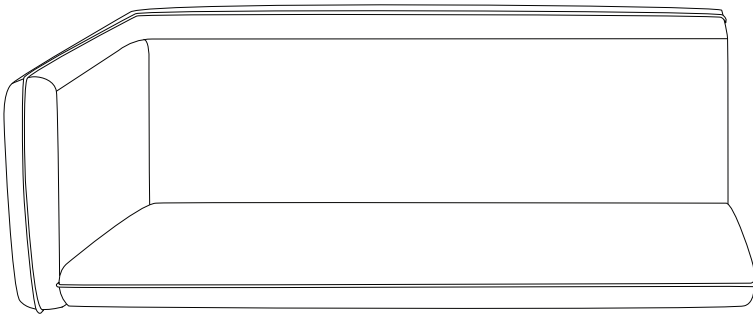
J x 3



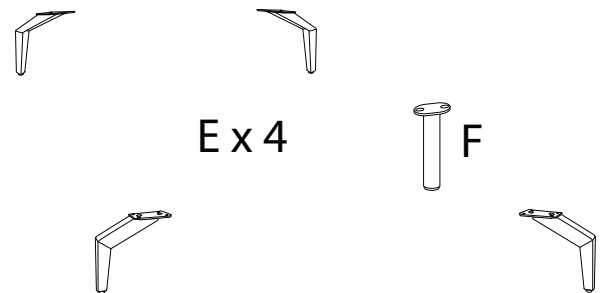
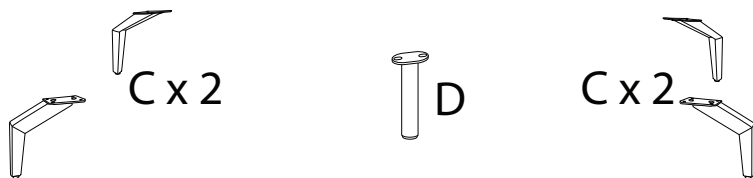
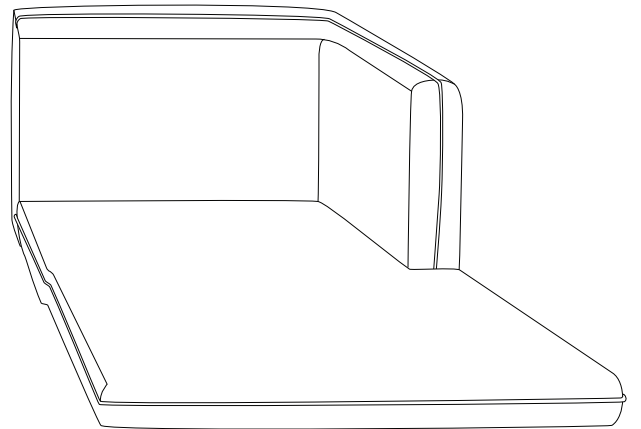
K x 3



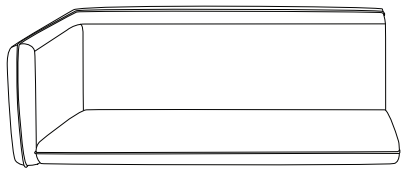
A



B

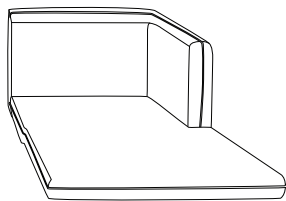


A



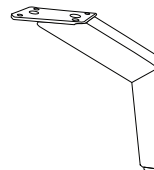
x 1

B



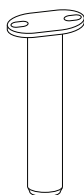
x 1

C



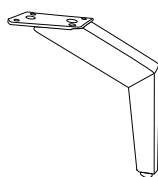
x 4

D



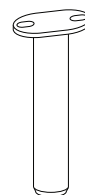
x 1

E



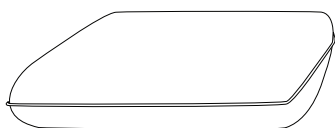
x 4

F



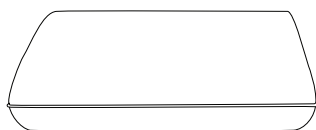
x 1

G



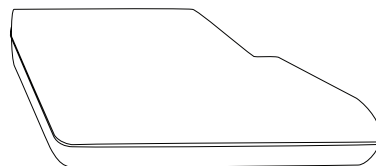
x 1

H



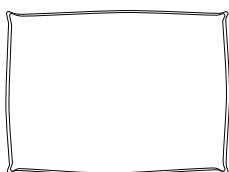
x 1

I



x 1

J



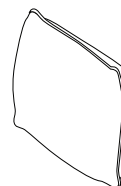
x 3

K



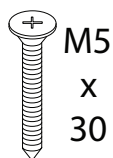
x 3

L



x 2

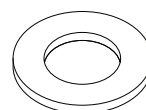
M



M5  
x  
30

x 36

N

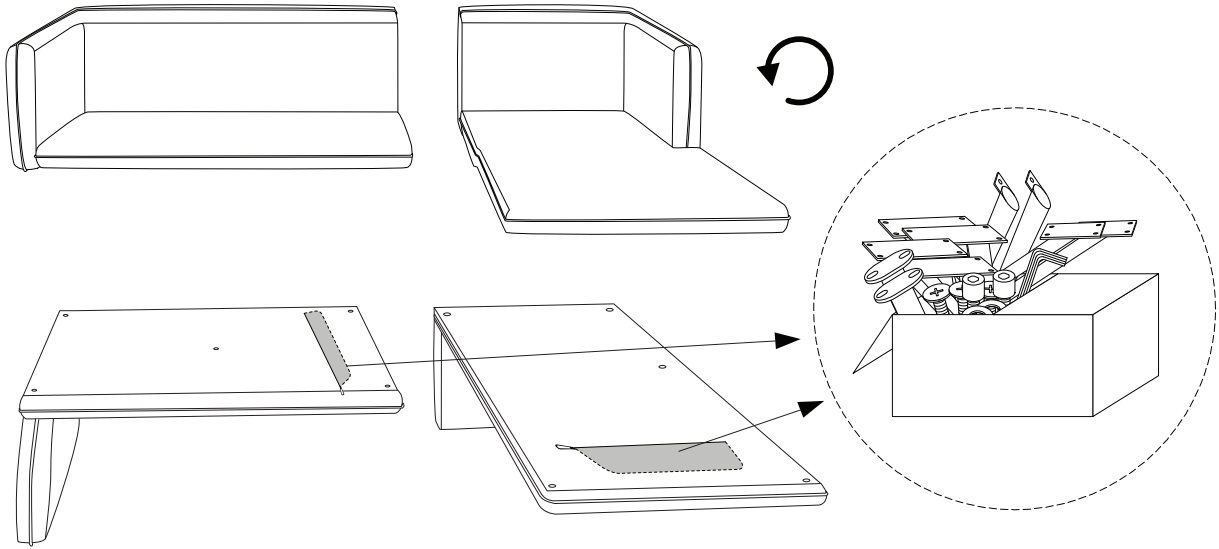


x 36

!

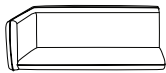
A

B



1

A



x 1

C



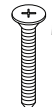
x 4

D



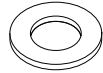
x 1

M

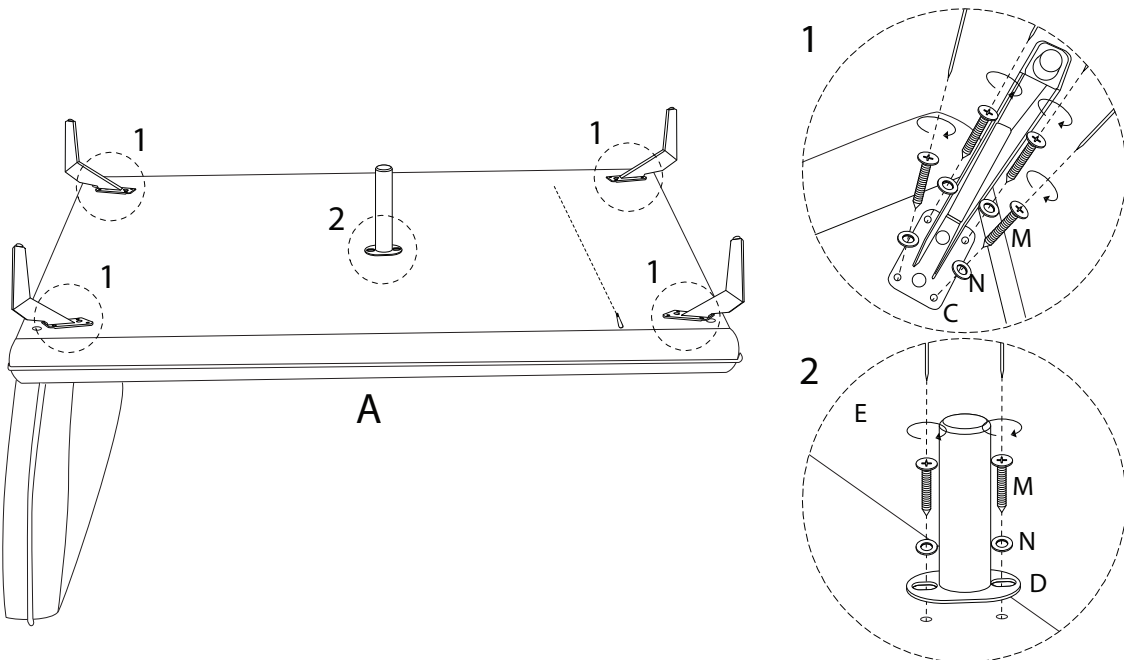


x 18

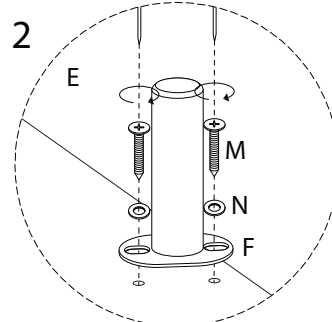
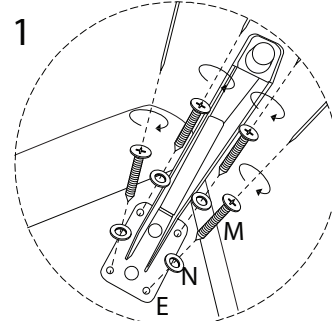
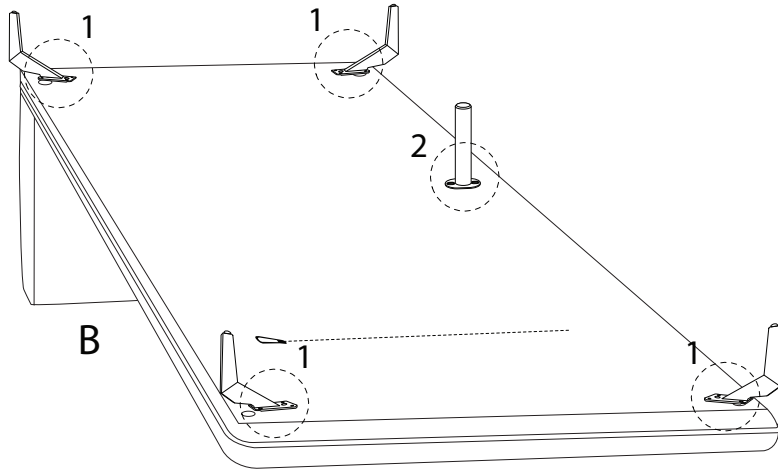
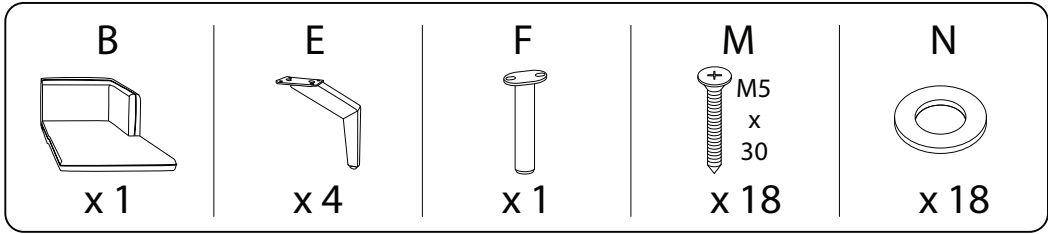
N



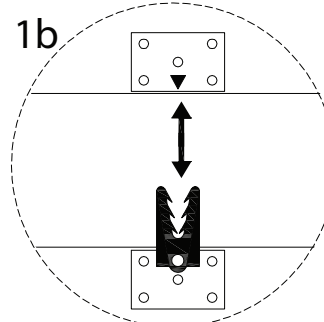
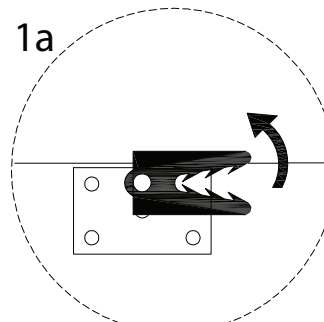
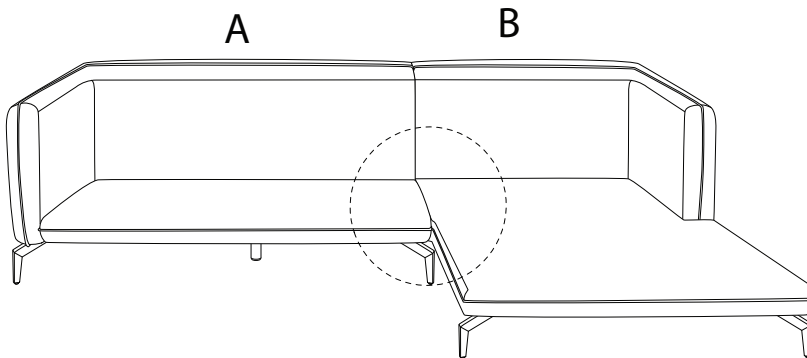
x 18




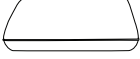
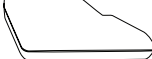



2



!



3

G	H	I	J	K	L
					
x1	x1	x1	x3	x3	x2

