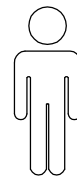
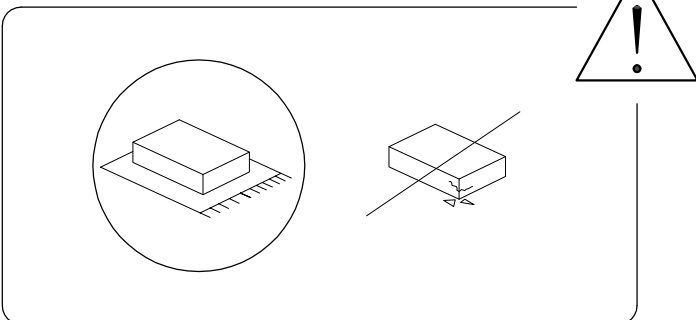
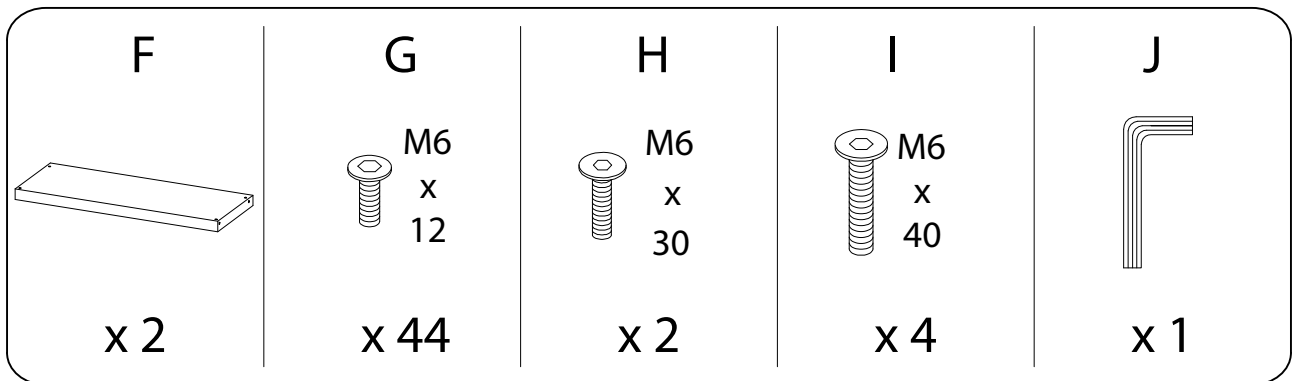
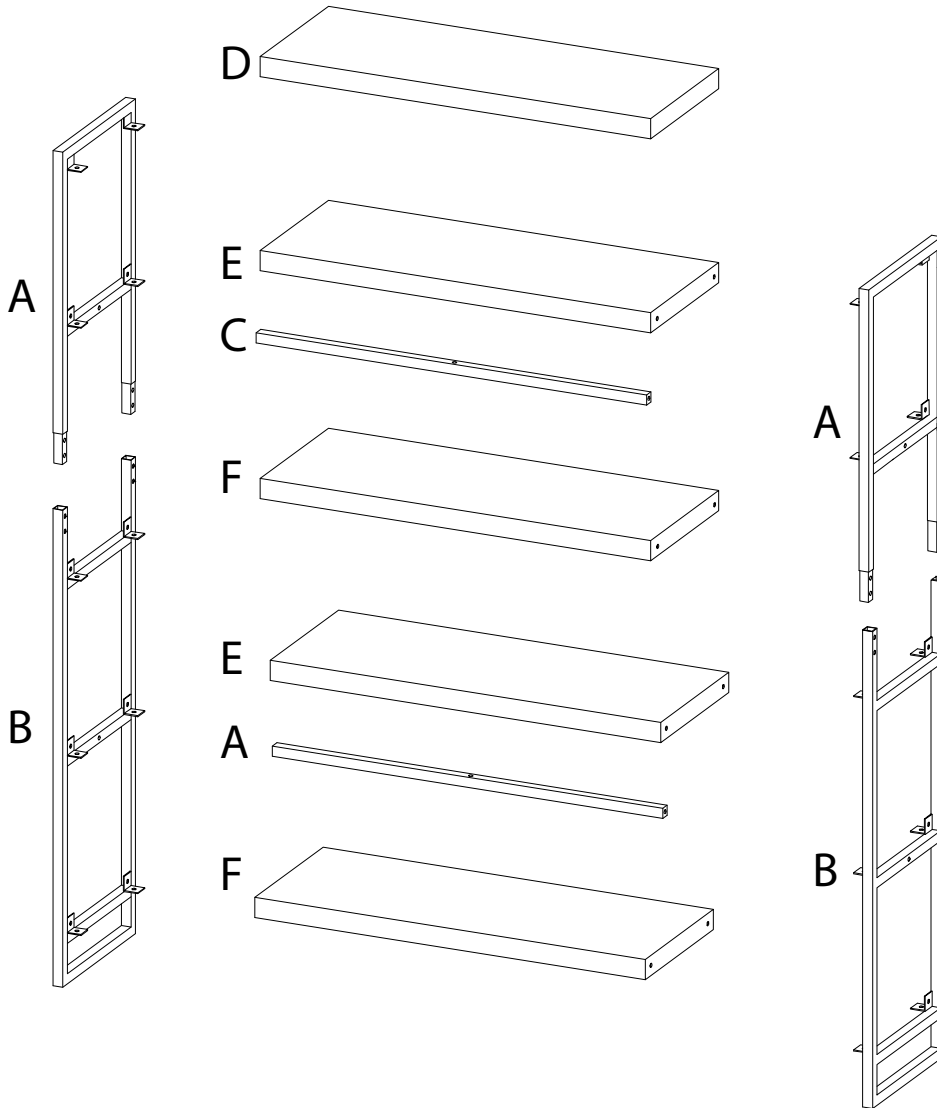
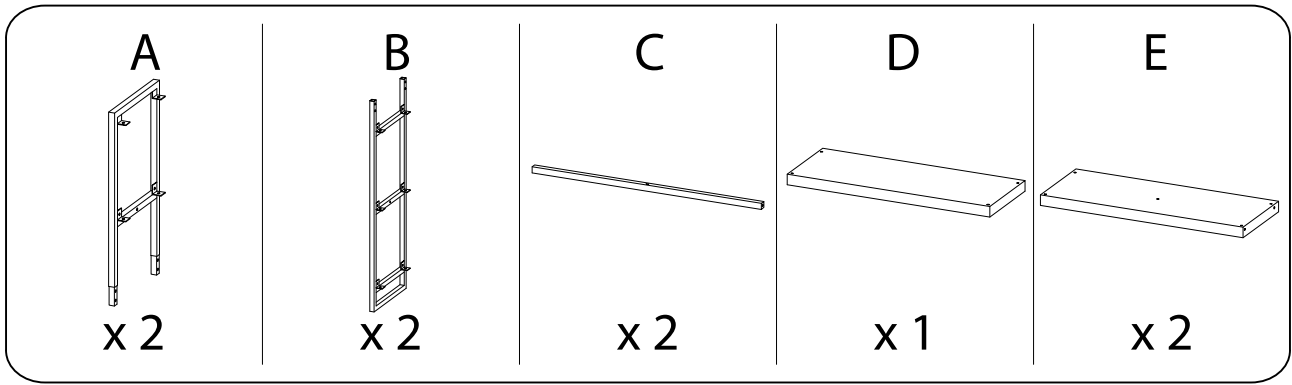


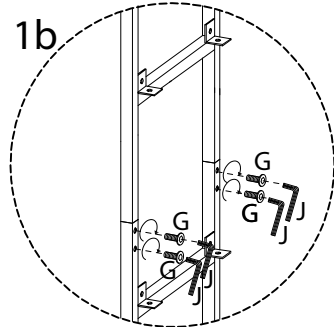
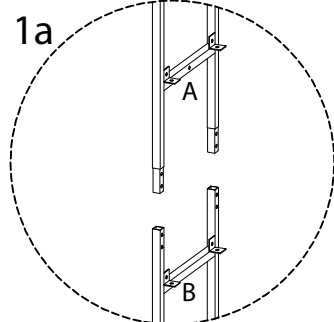
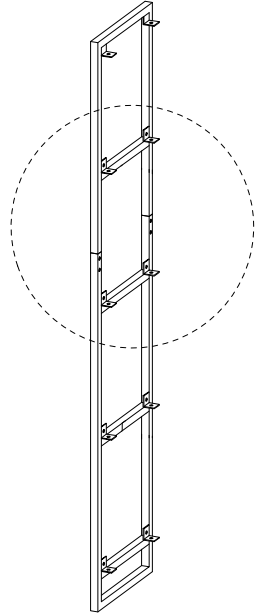
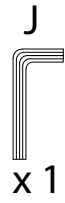
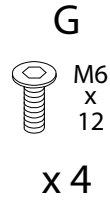
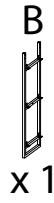
20'



1



1 x2



2

C



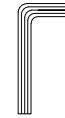
x 2

I

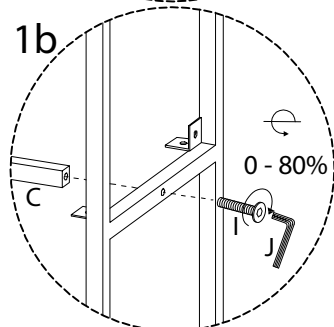
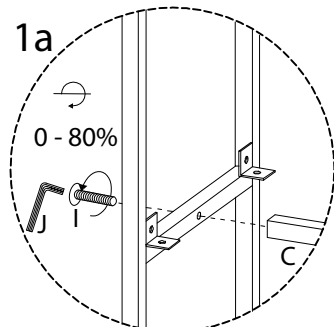
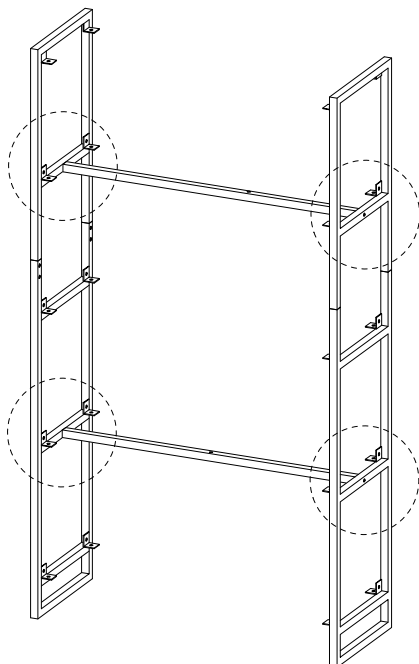


x 4

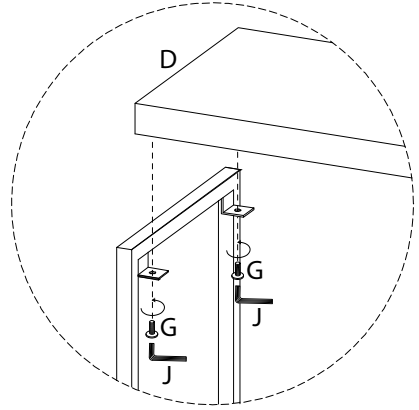
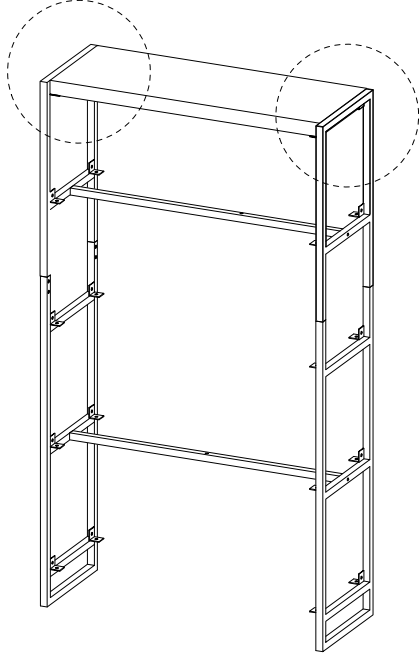
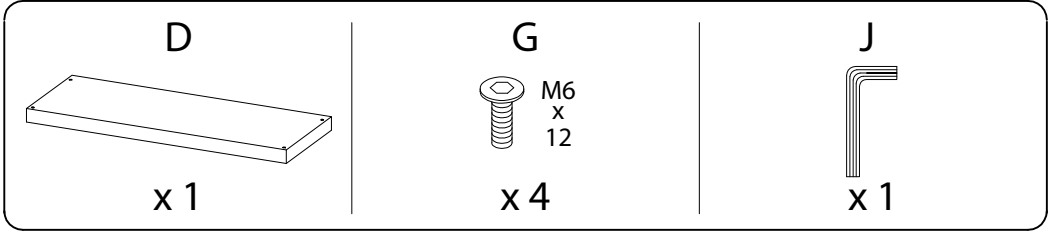
J



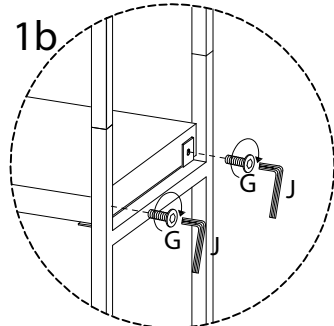
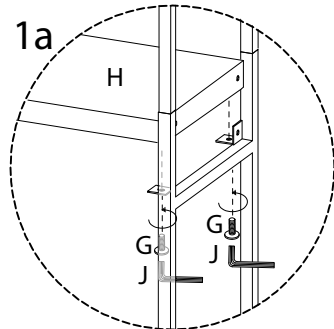
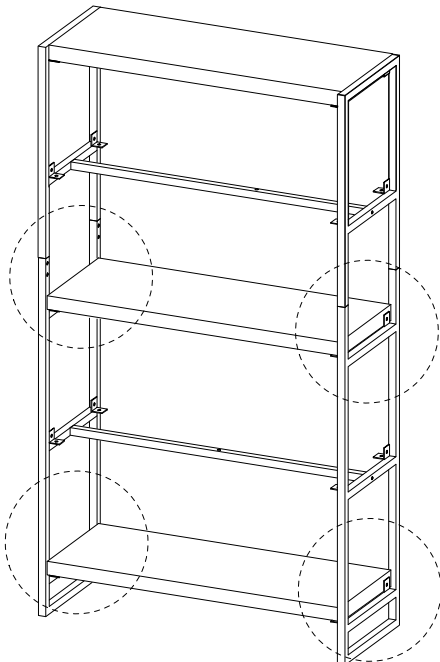
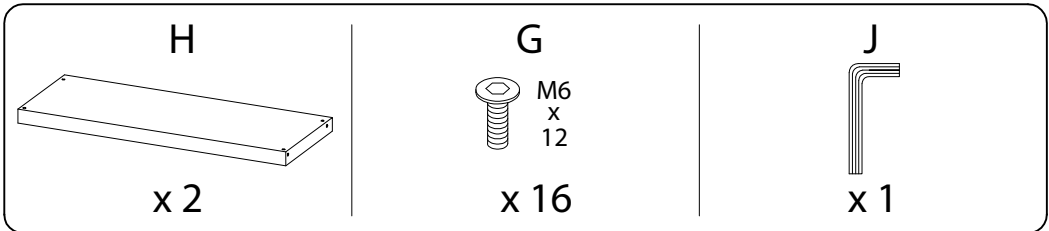
x 1



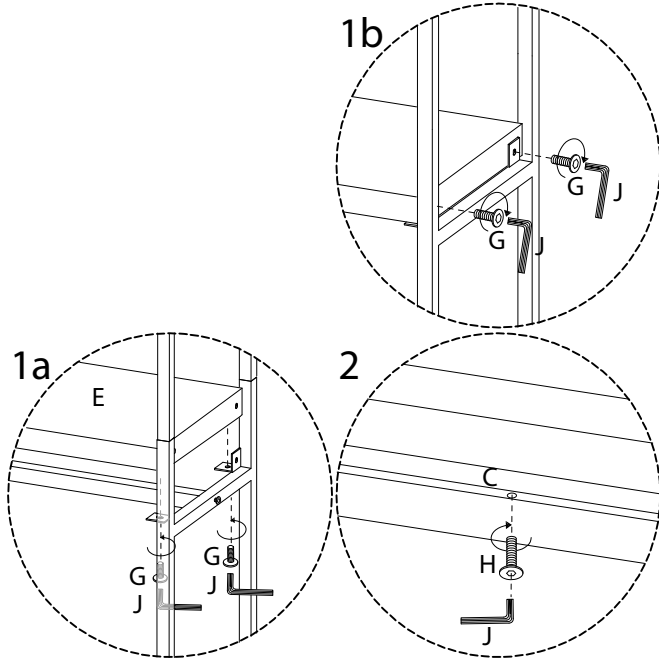
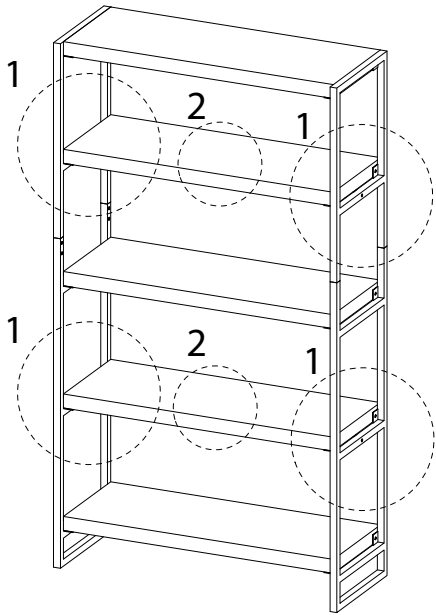
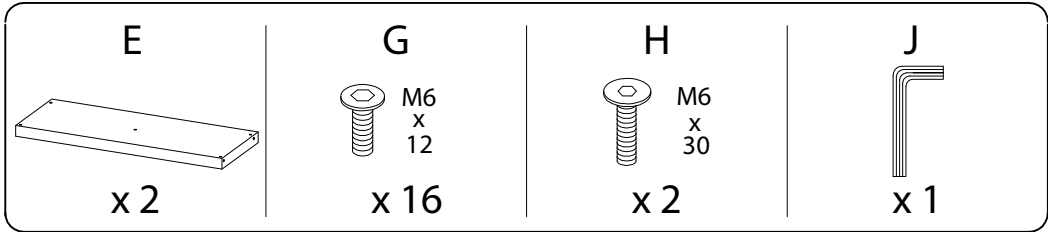
3



4



5



6

