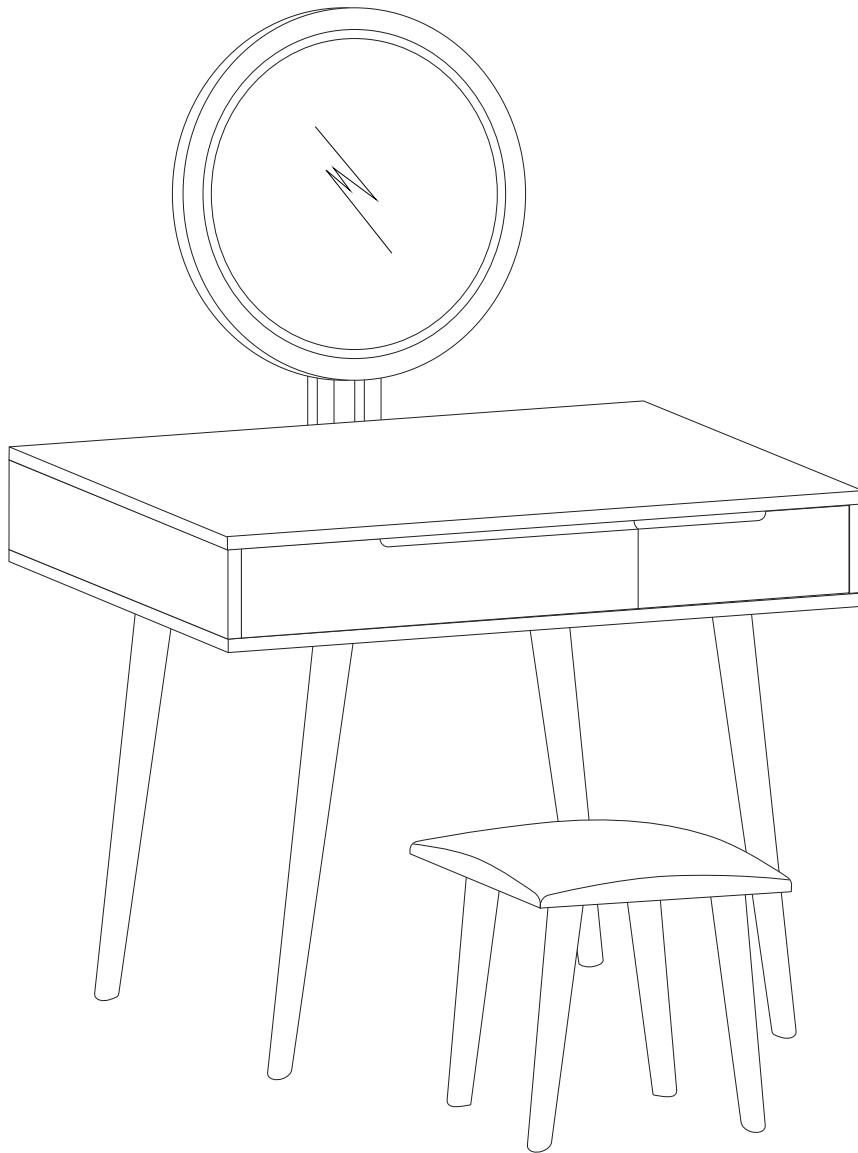
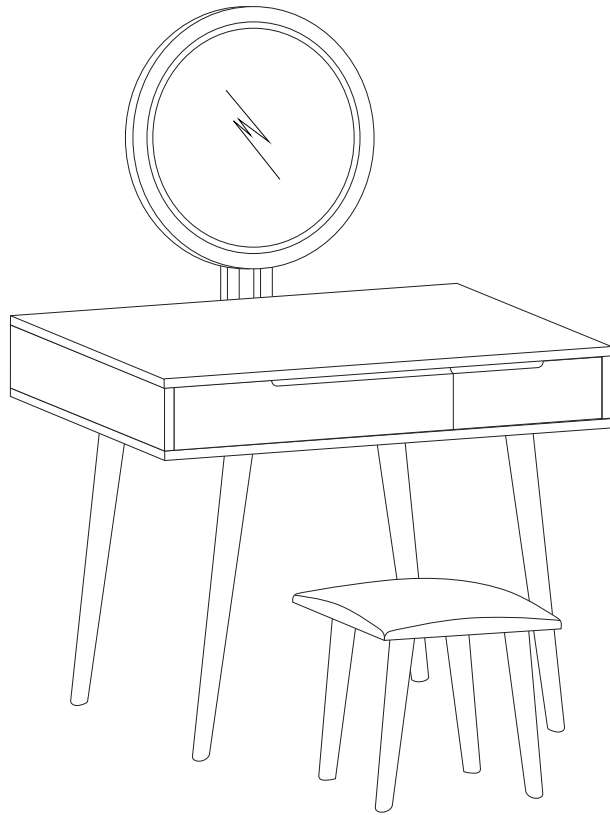


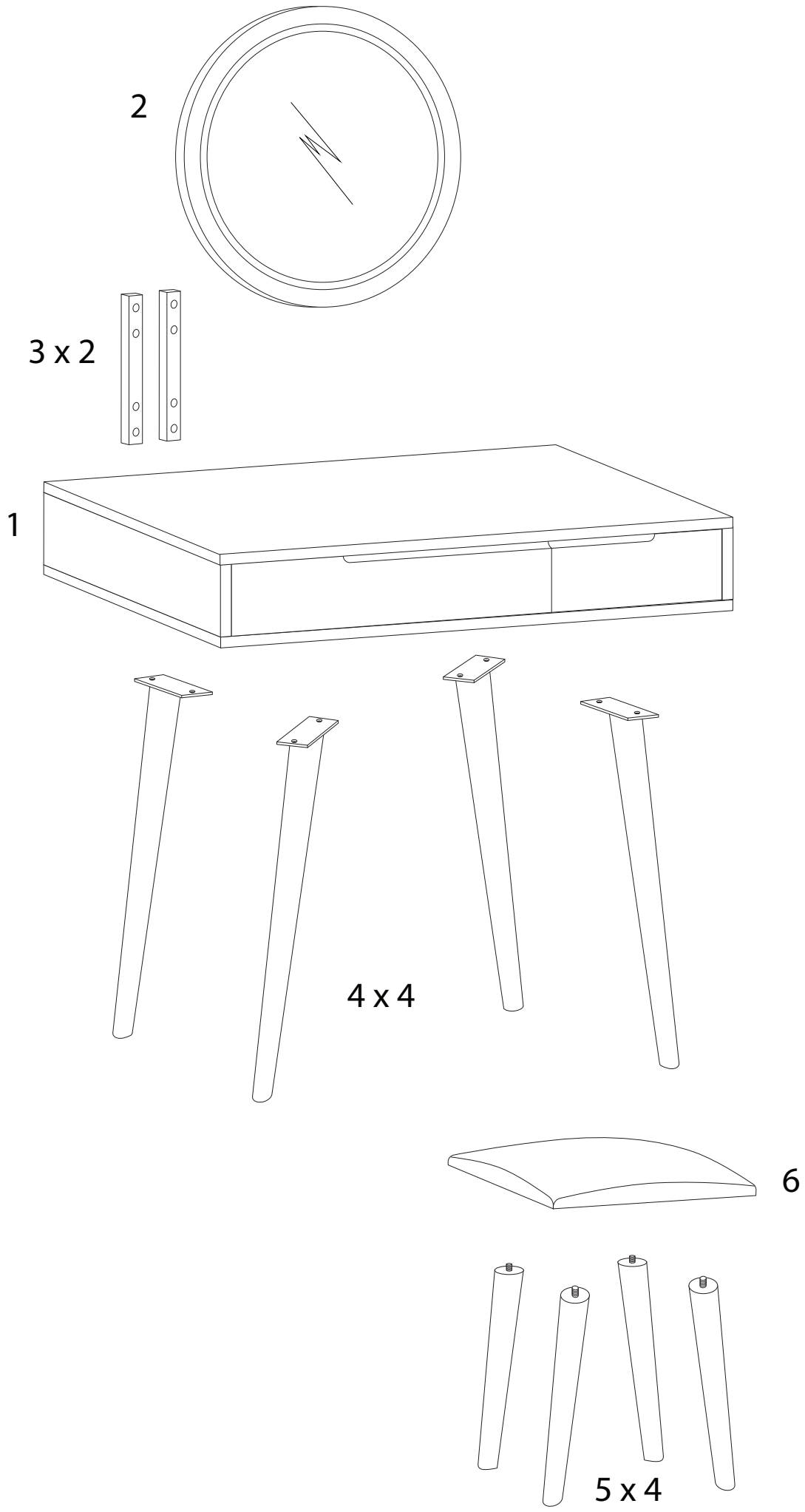
JOSSELIN


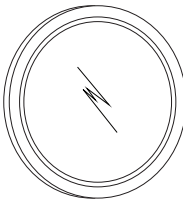




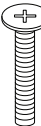
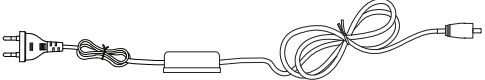




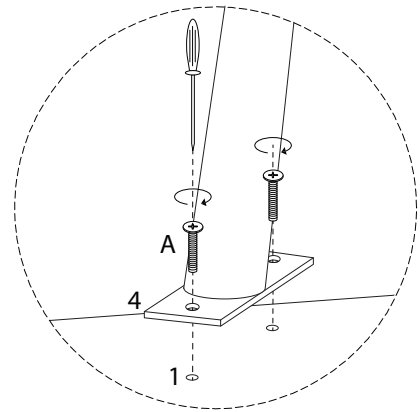
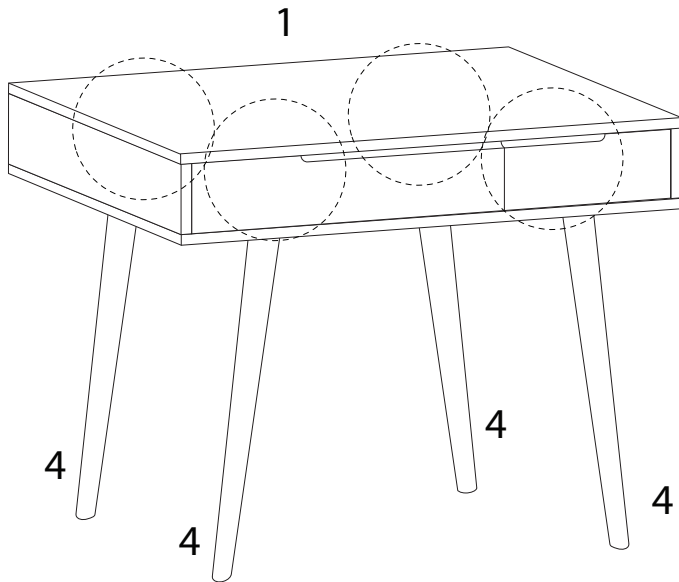
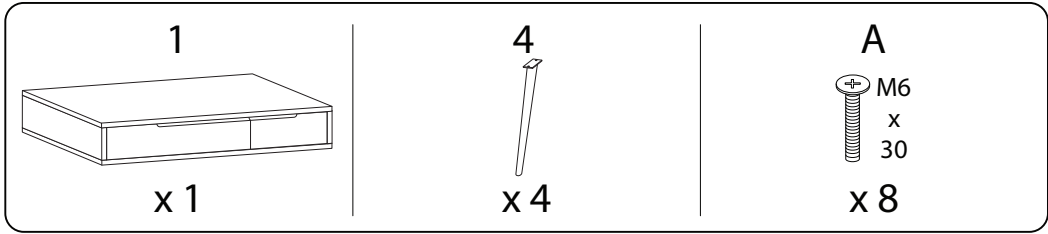
Assembly instructions for step 1/6:

- Use a screwdriver, do not use a power drill. (Warning: exclamation mark in a triangle)
- Estimated time: 30' (clock icon)
- Requires 2 people. (Warning: exclamation mark in a triangle)
- Icon of a person.

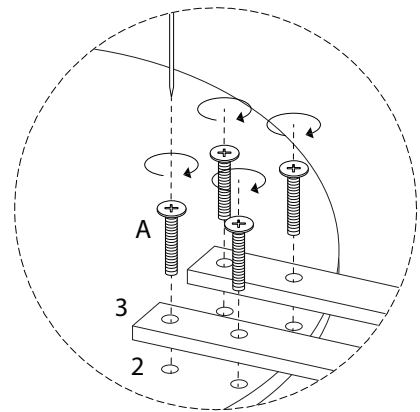
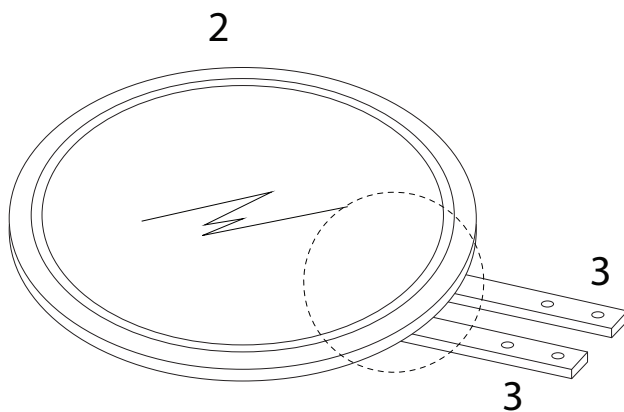
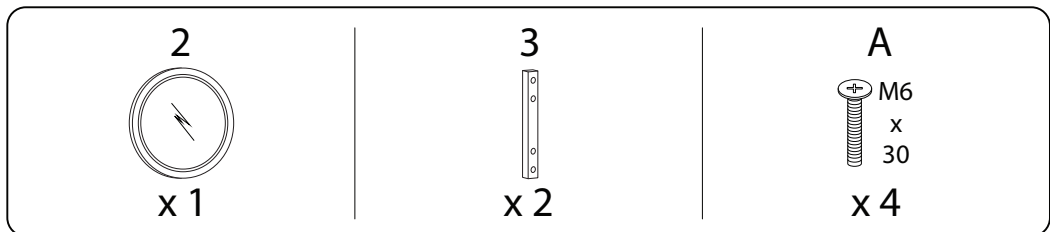


<p>1</p>  <p>x 1</p>	<p>2</p>  <p>x 1</p>	<p>3</p>  <p>x 2</p>
<p>4</p>  <p>x 4</p>	<p>5</p>  <p>x 4</p>	<p>6</p>  <p>x 1</p>
<p>A</p>  <p>M6 x 30</p> <p>x 16</p>		<p>B</p>  <p>x 1</p>

1

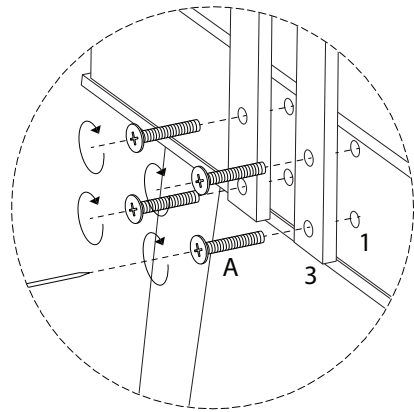
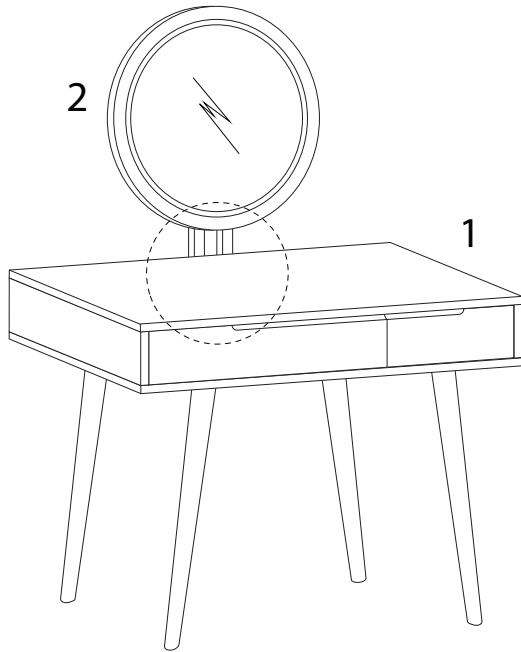


2



3

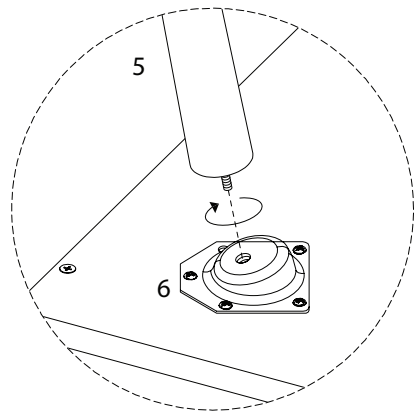
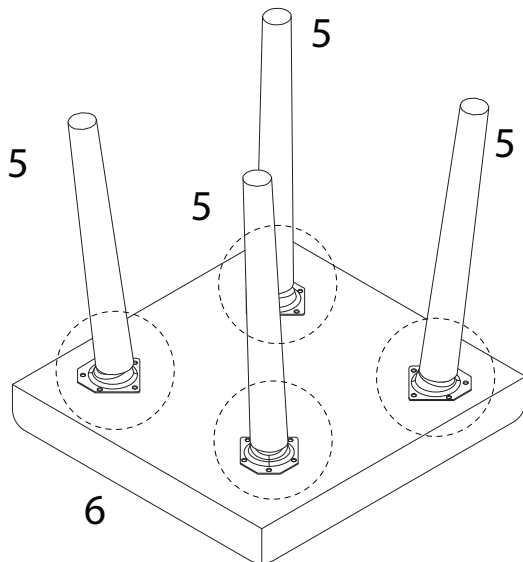
A
M6
x
30
x 4



4

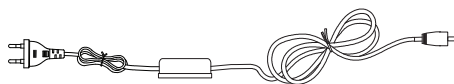
5
x 4

6
x 4

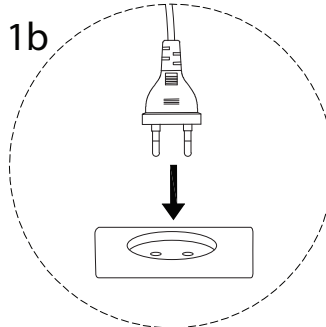
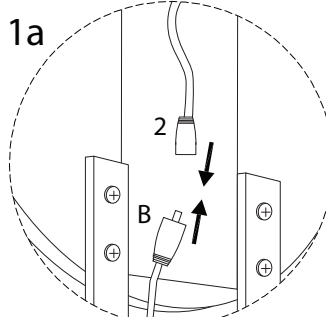
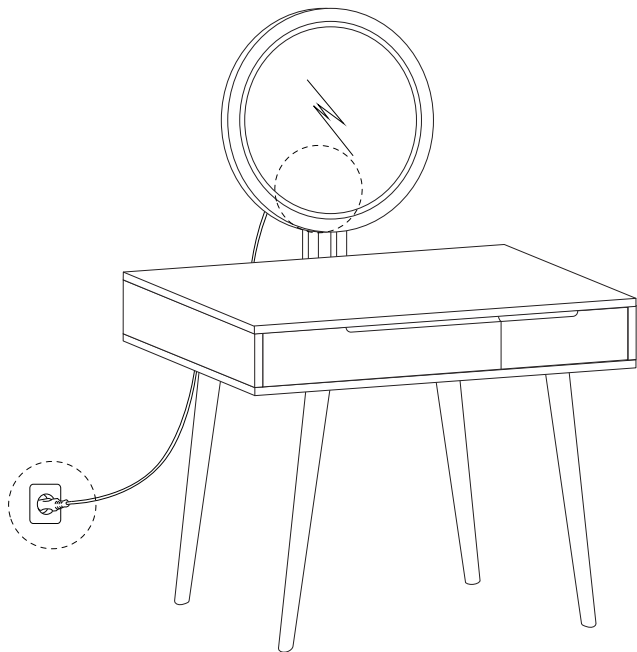


5

B



x 1



!

