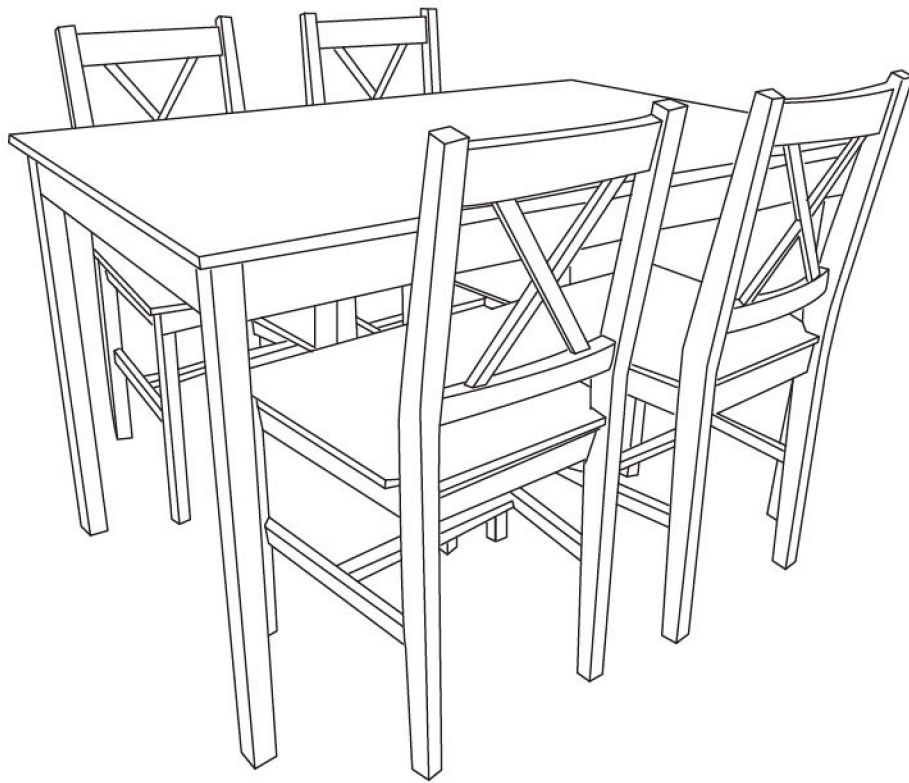
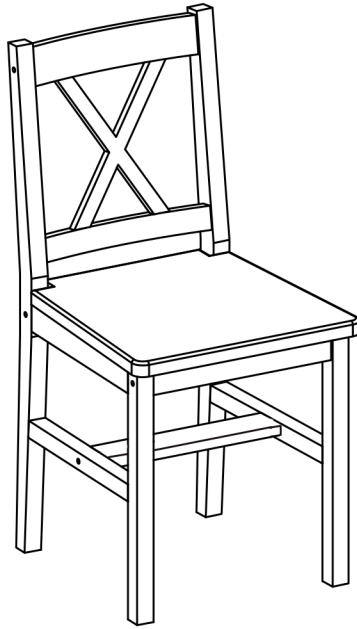
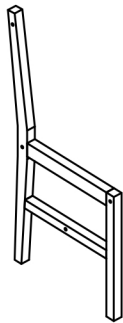
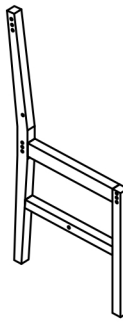



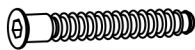

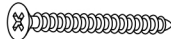
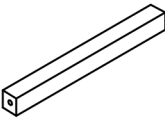
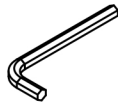
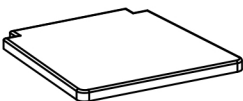


ASSEMBLY INSTRUCTION

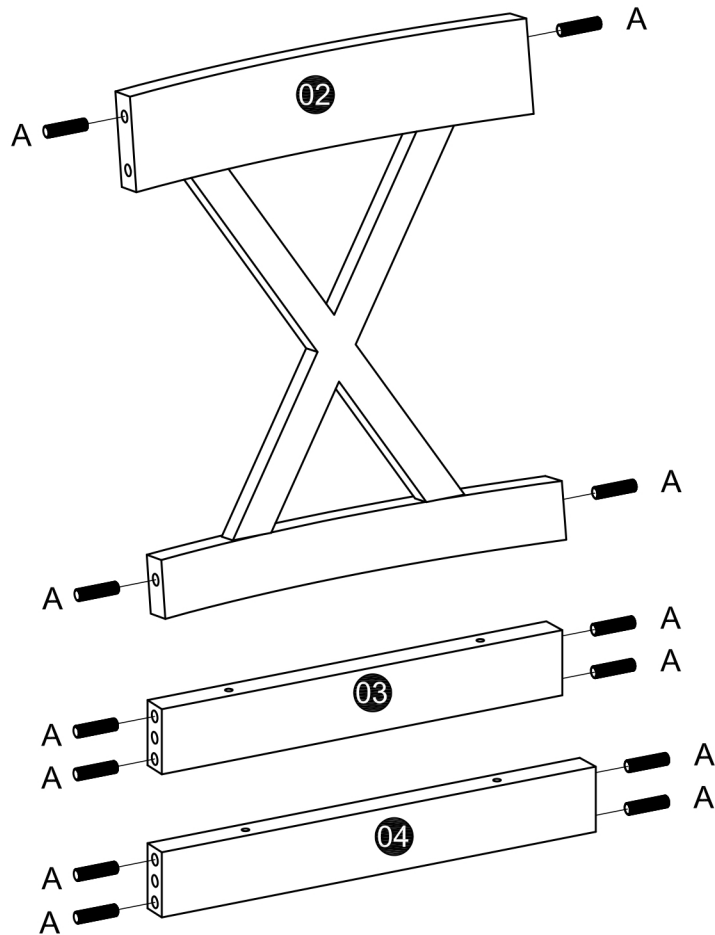




Part list:

ITEM	PHOTO	PCS	ITEM	PHOTO	PCS
1		4PCS	7		4PCS
2		4PCS	A		48PCS
3		4PCS	B		32PCS
4		4PCS	C		16PCS
5		4PCS	D		1PC
6		4PCS			

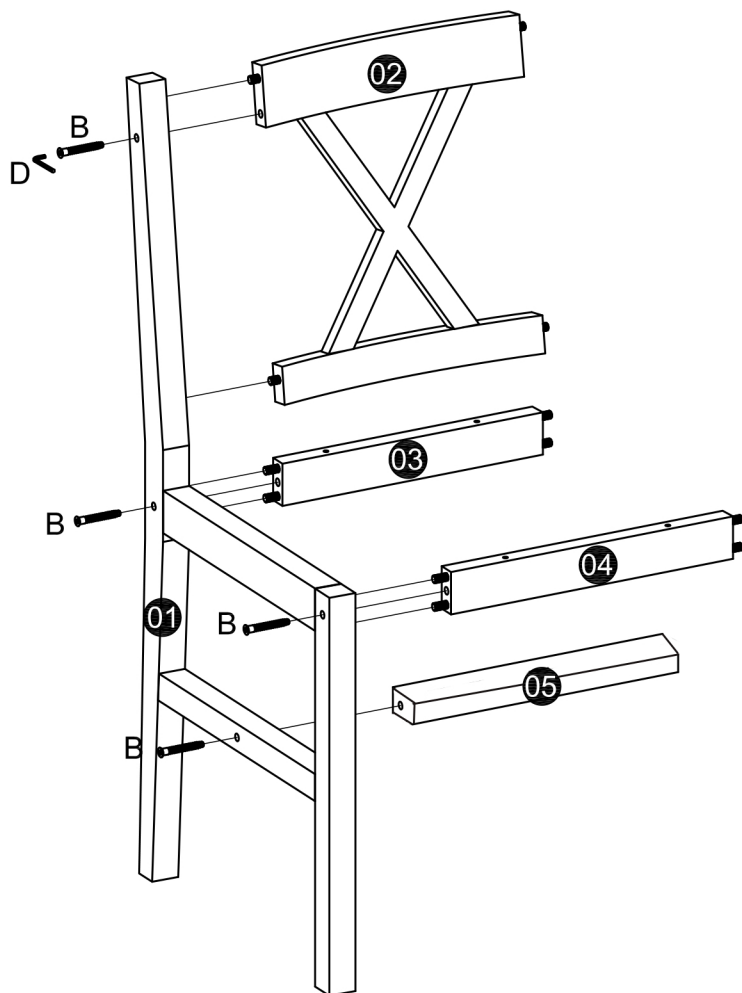
01



A x12



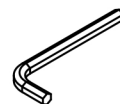
02



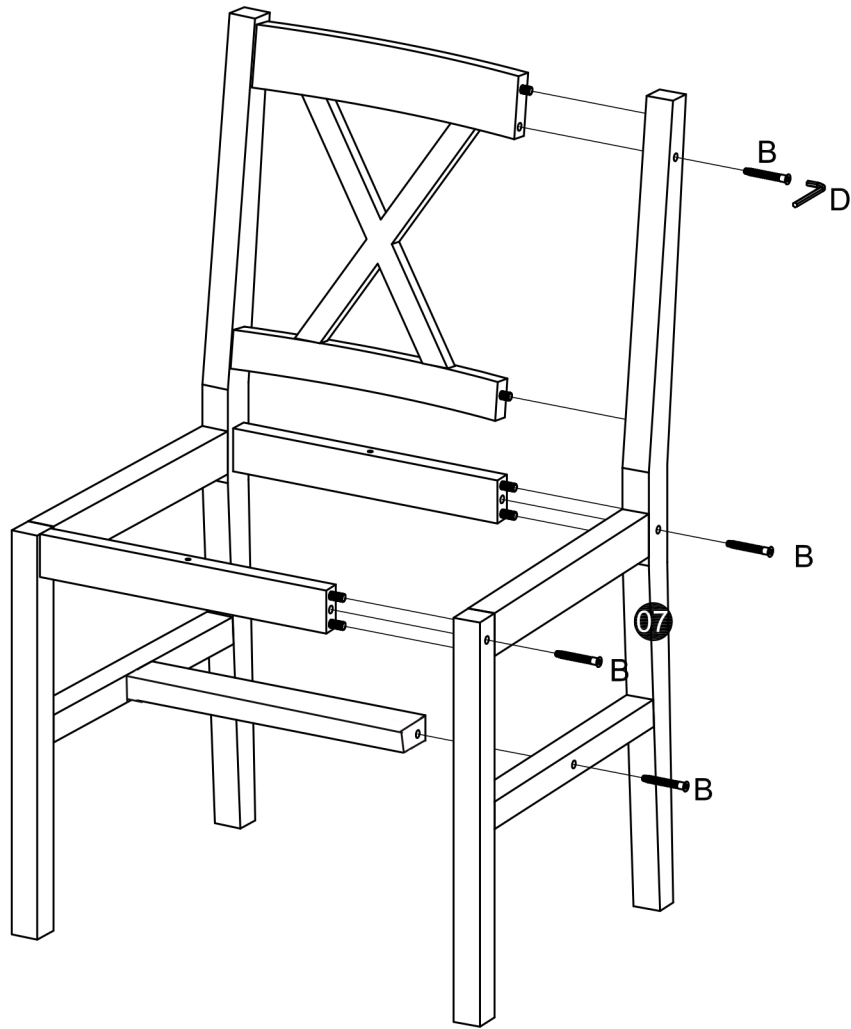
B x4



D x1



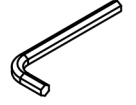
03



B x4

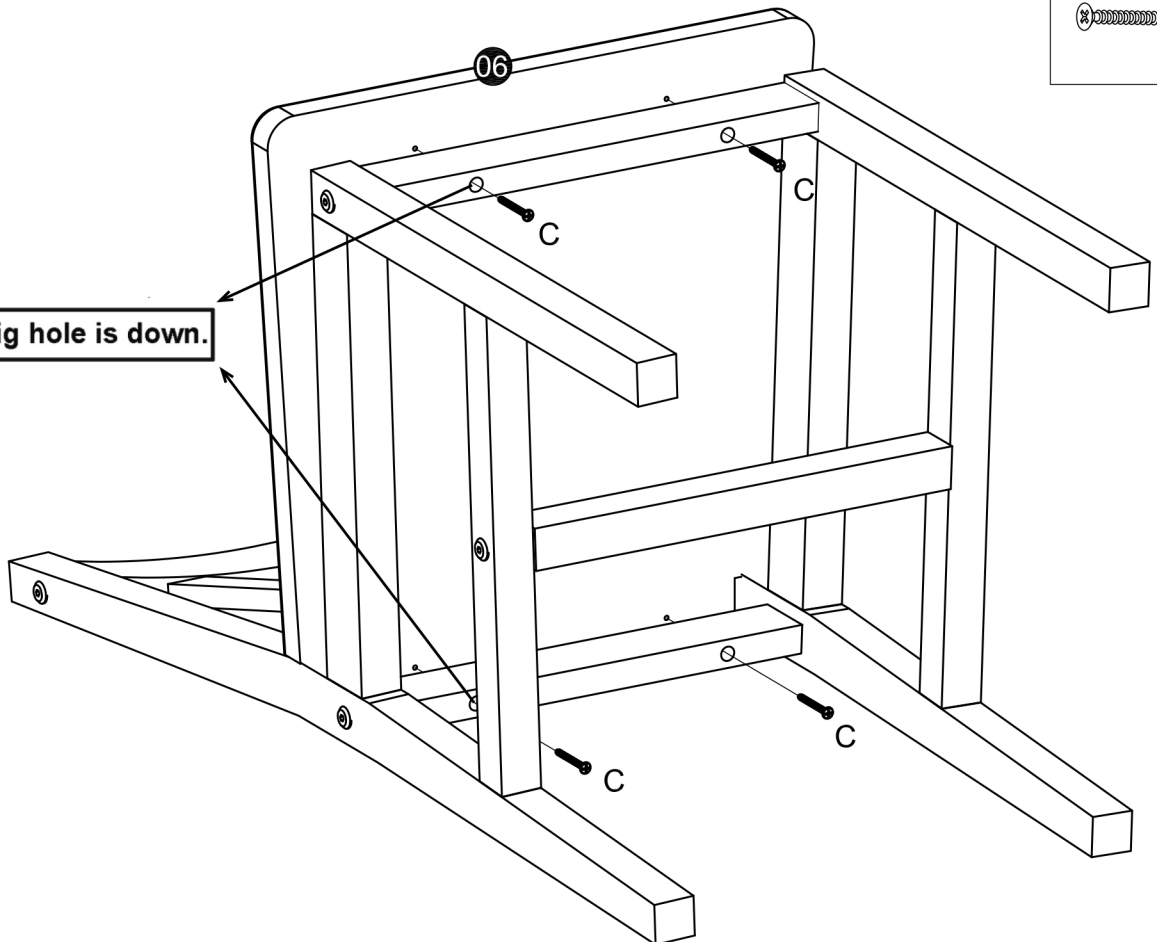


D x1



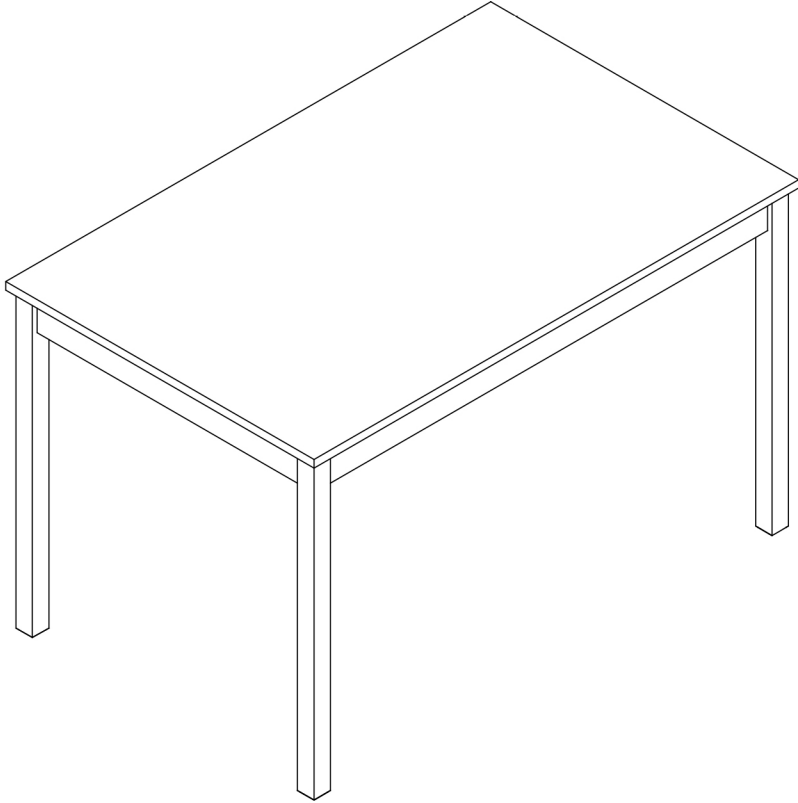
04

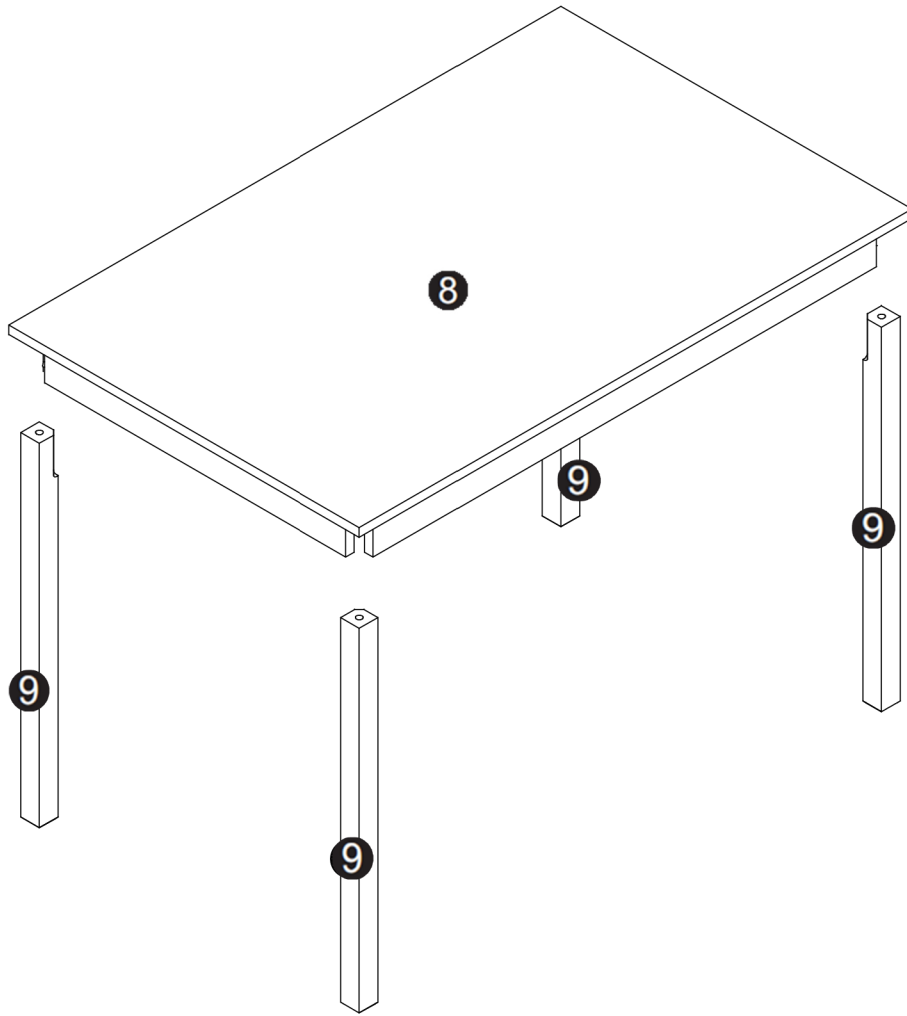
Pls note: The big hole is down.


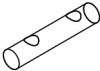





C x4

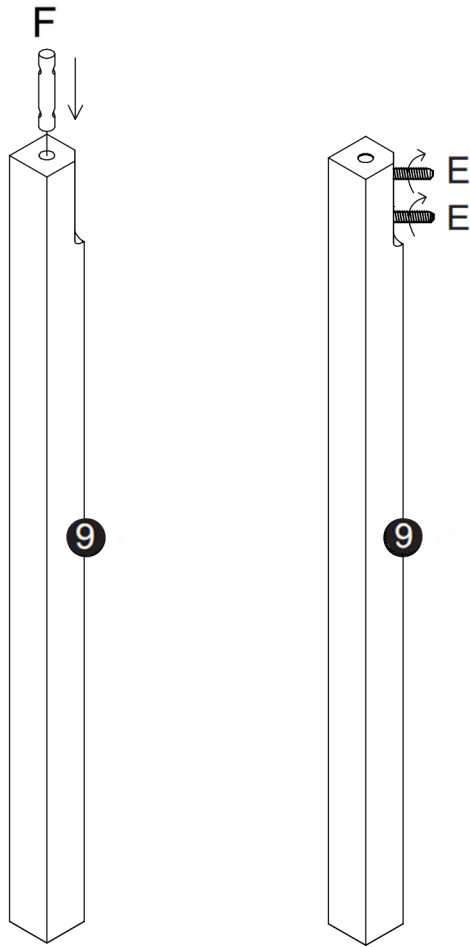






<p>E x8</p>  <p>M8x60mm</p>	<p>F x4</p> 	<p>G x8</p> 	<p>H x8</p> 	<p>I x1</p> 
--	---	---	---	---

01



02

