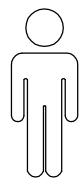
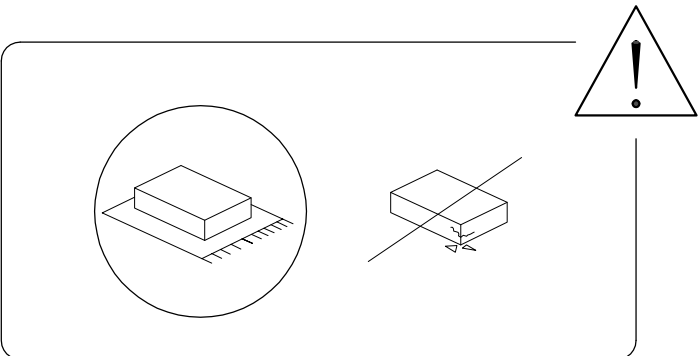
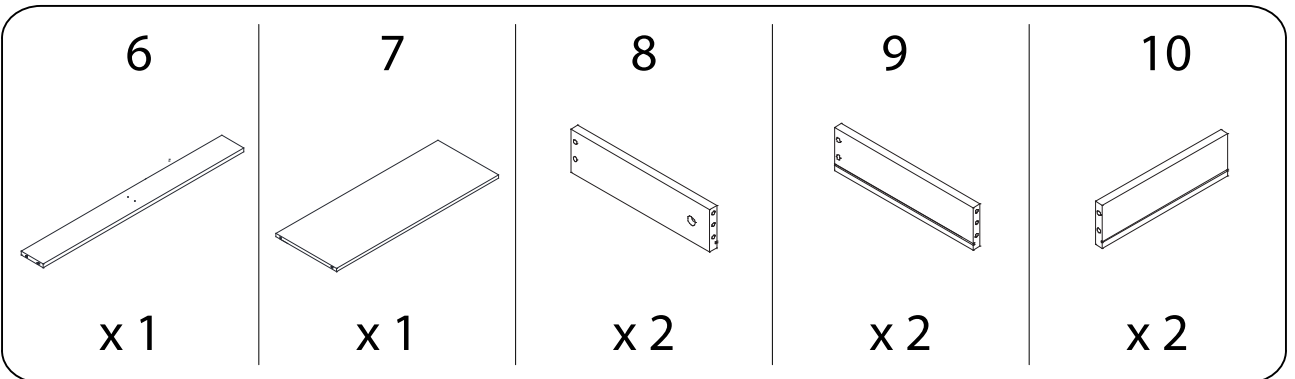
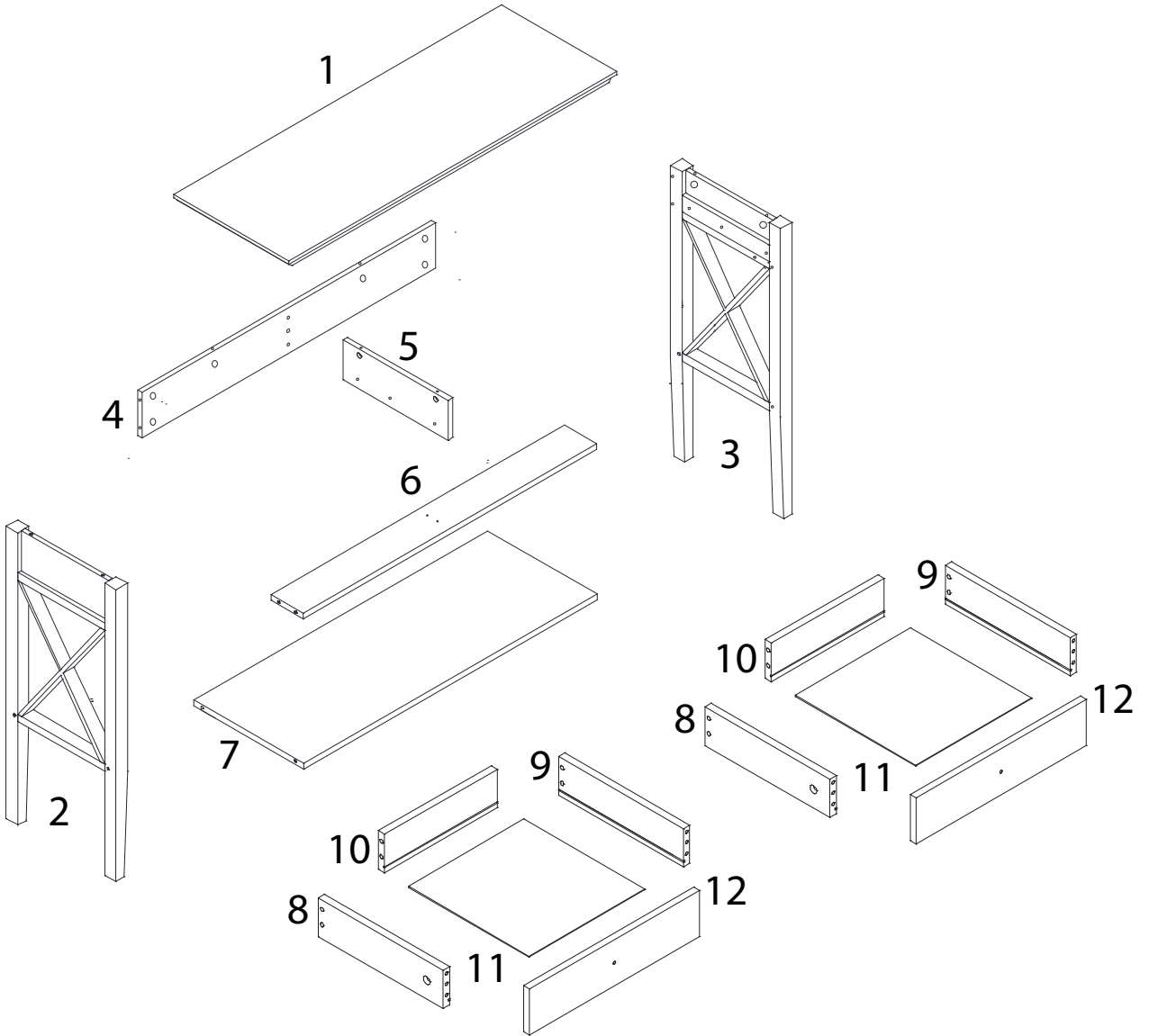
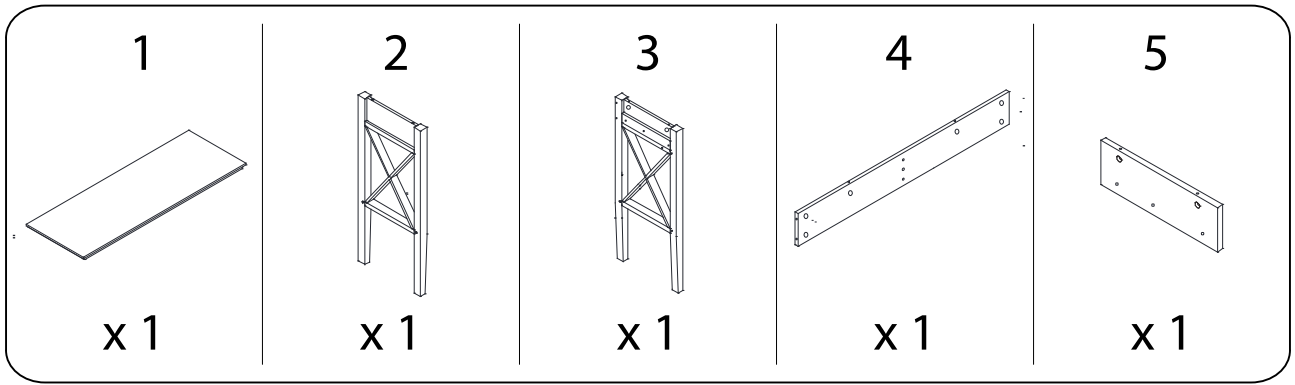
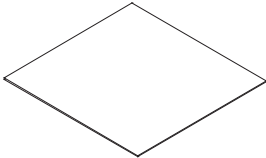
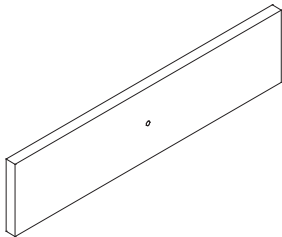

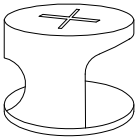
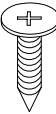


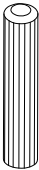
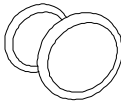
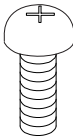
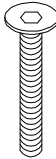
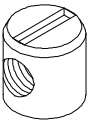

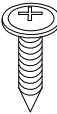
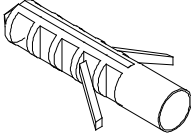
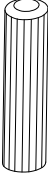
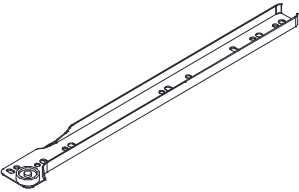
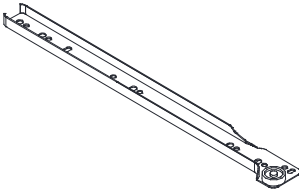
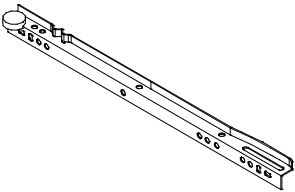
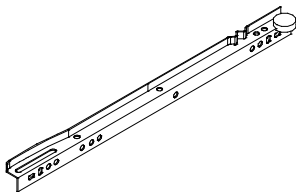


40'



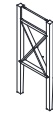
1



11  x 2		12  x 2		
A  x 20	B  x 20	C  M3 x 12 x 24	D  M4 x 35 x 12	
E  x 1	F  Ø6 x 30 x 8	G  x 2	H  M4 x 18 x 2	I  M6 x 60 x 4
J  x 4	K  x 1	L  x 1	M  x 1	N  Ø8 x 30 x 2
O1  x 2	O2  x 2	O3  x 2	O4  x 2	

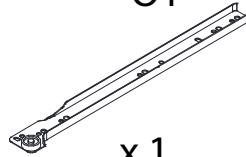
1

2



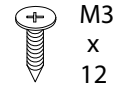
x 1

O1

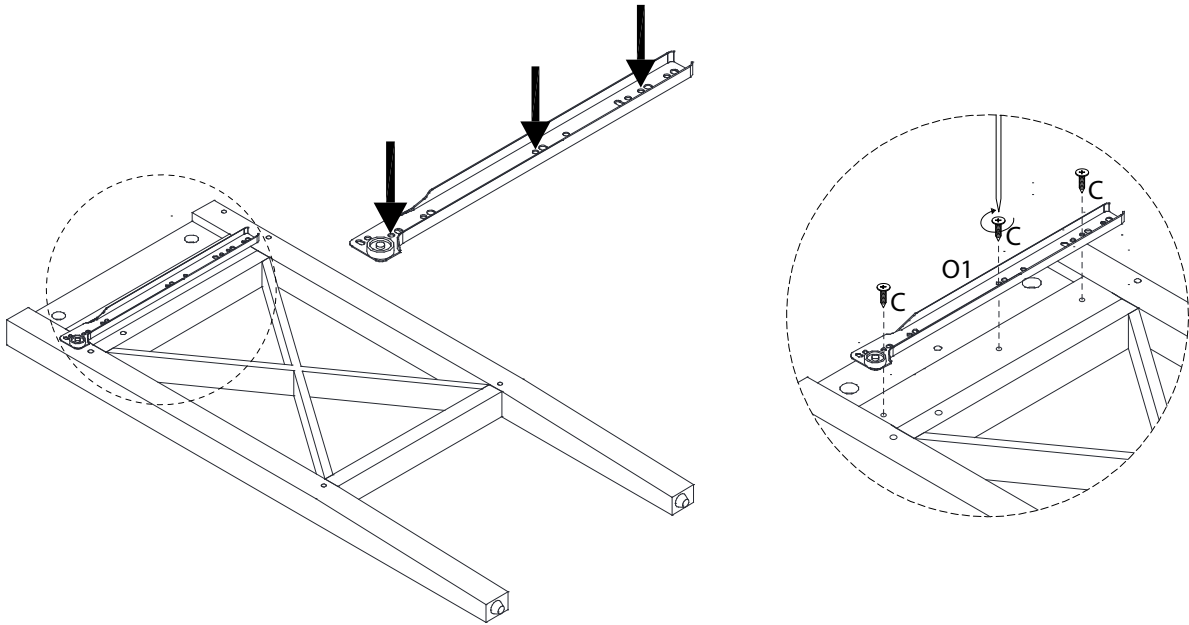


x 1

C



x 3



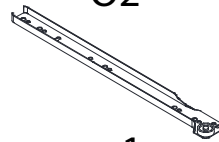
2

3



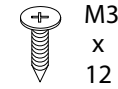
x 1

O2

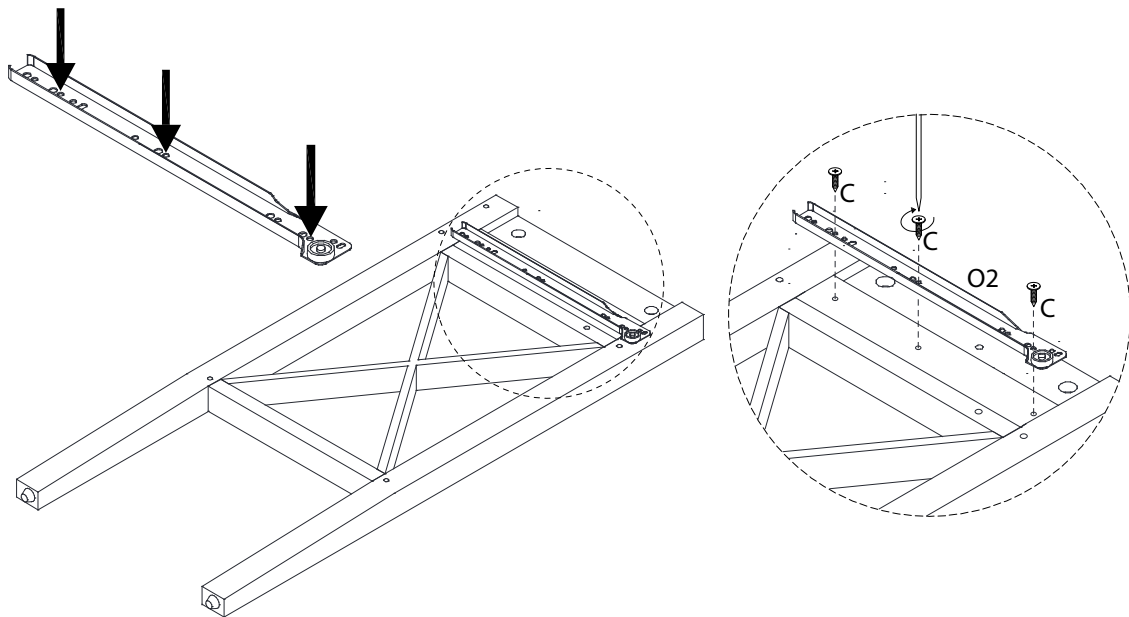


x 1

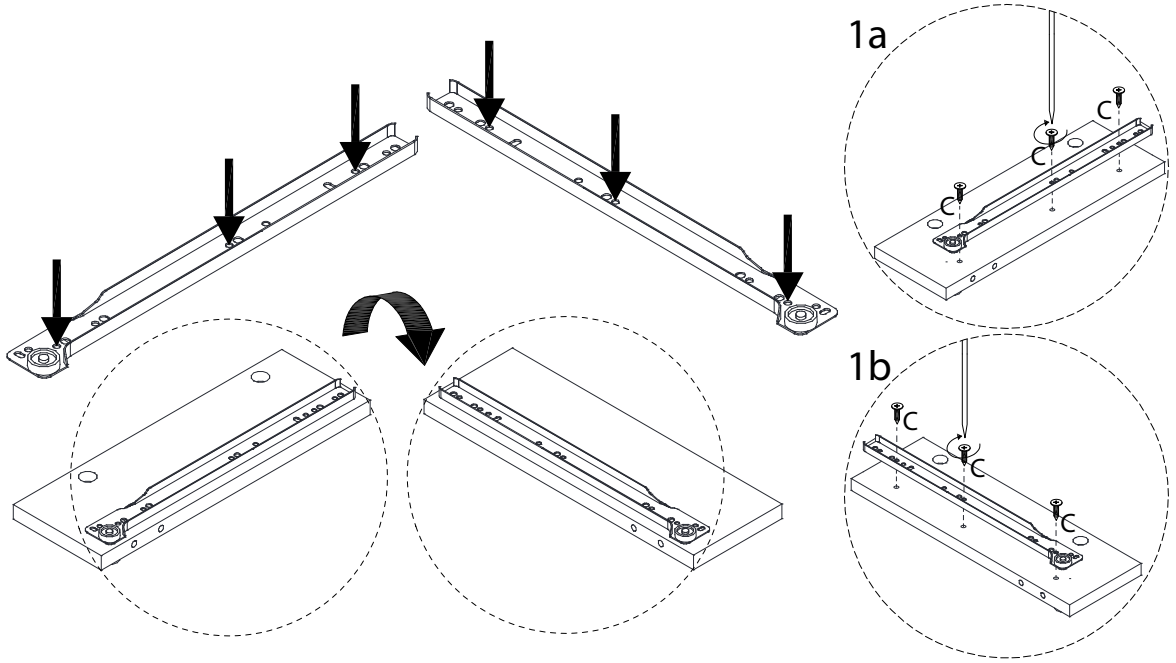
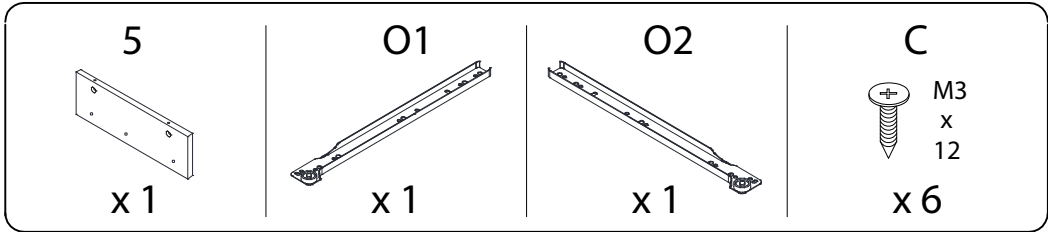
C



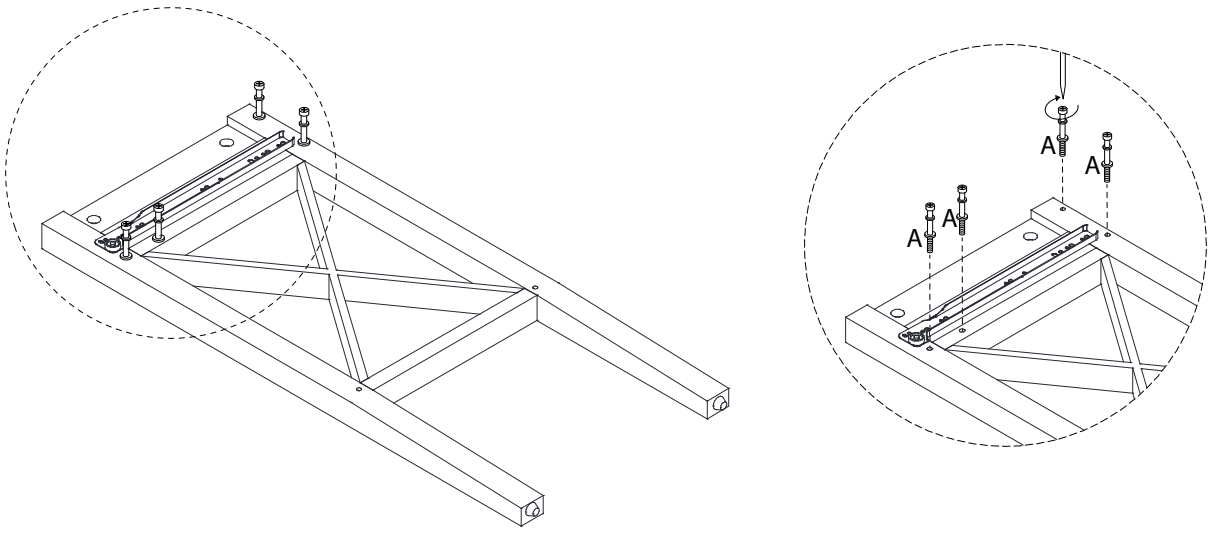
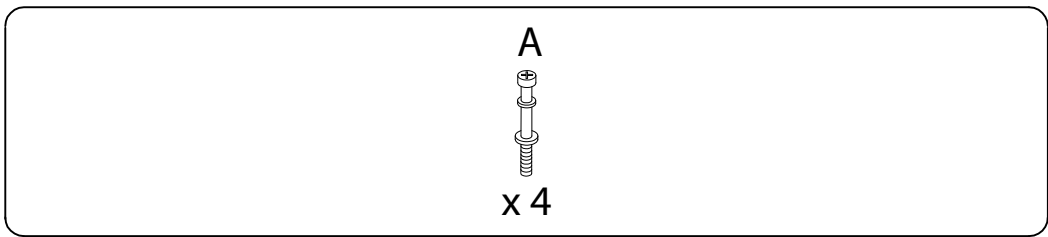
x 3



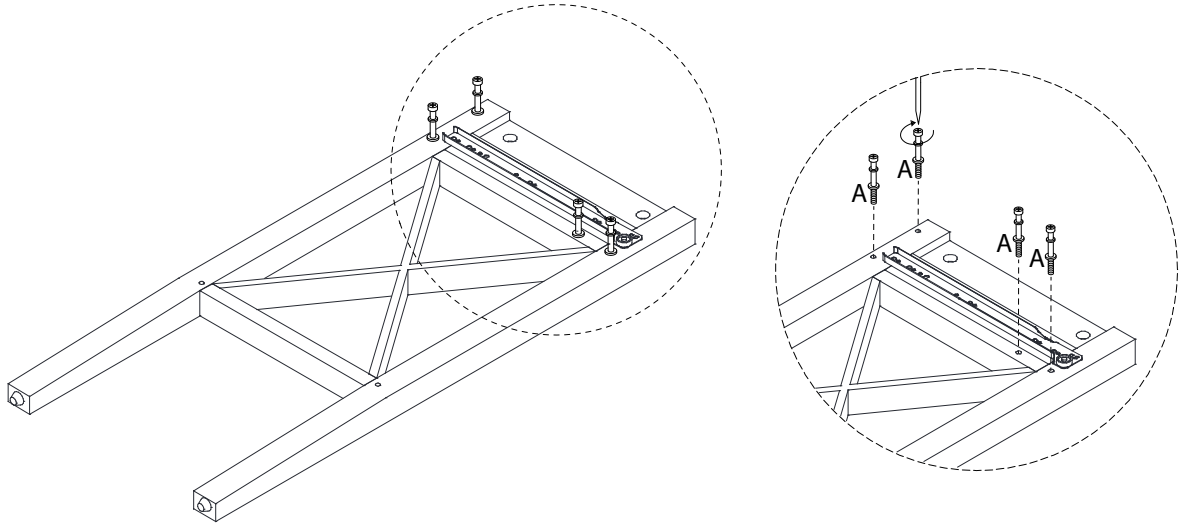
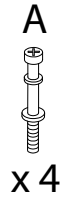
3



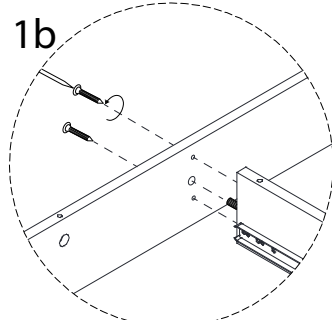
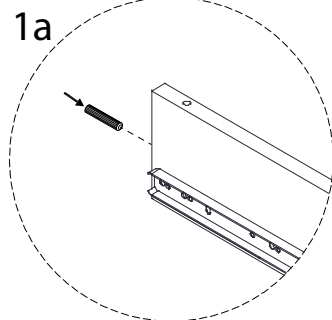
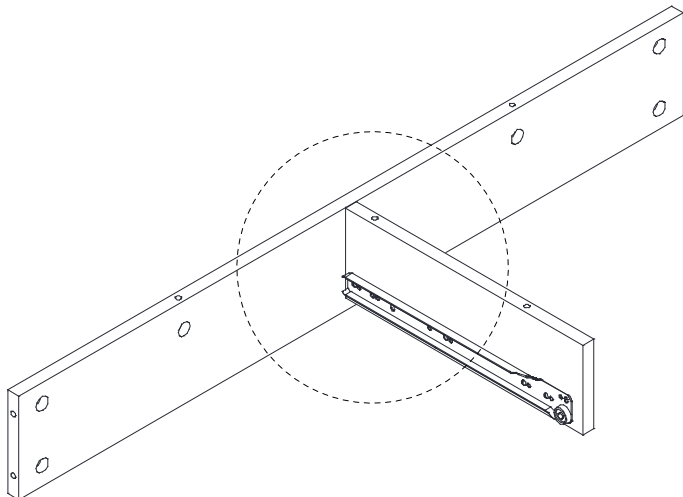
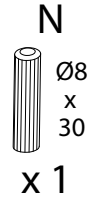
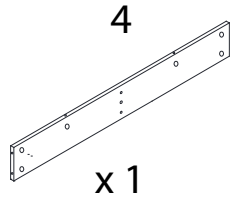
4



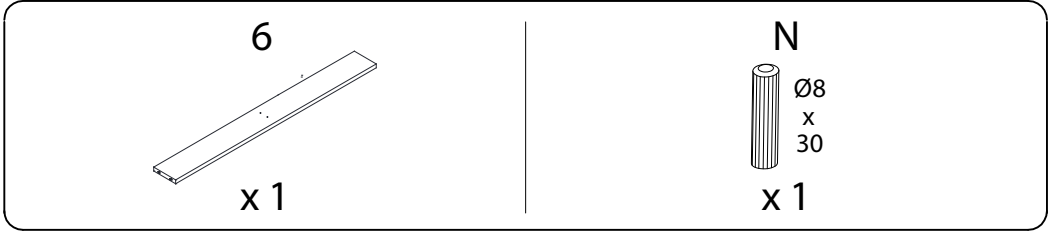
5



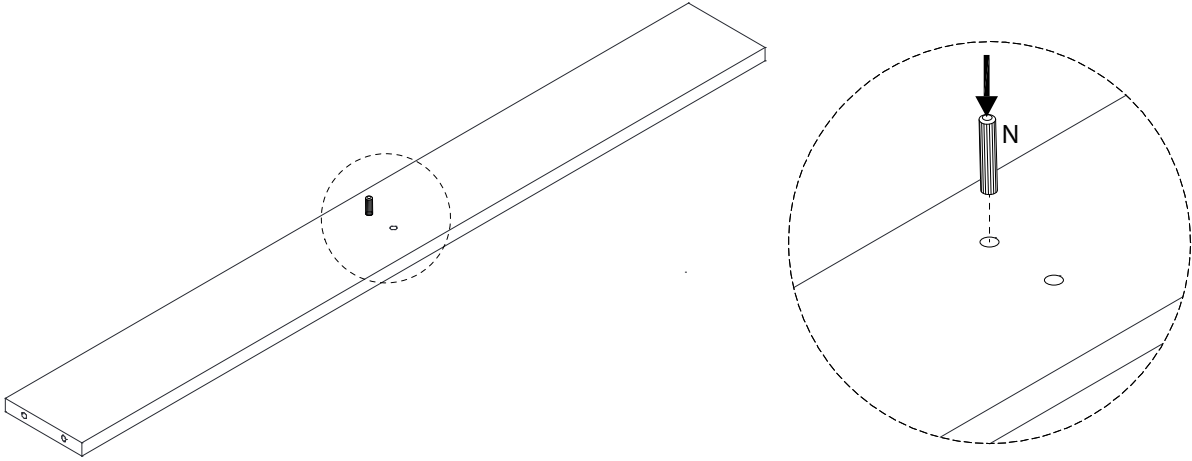
6



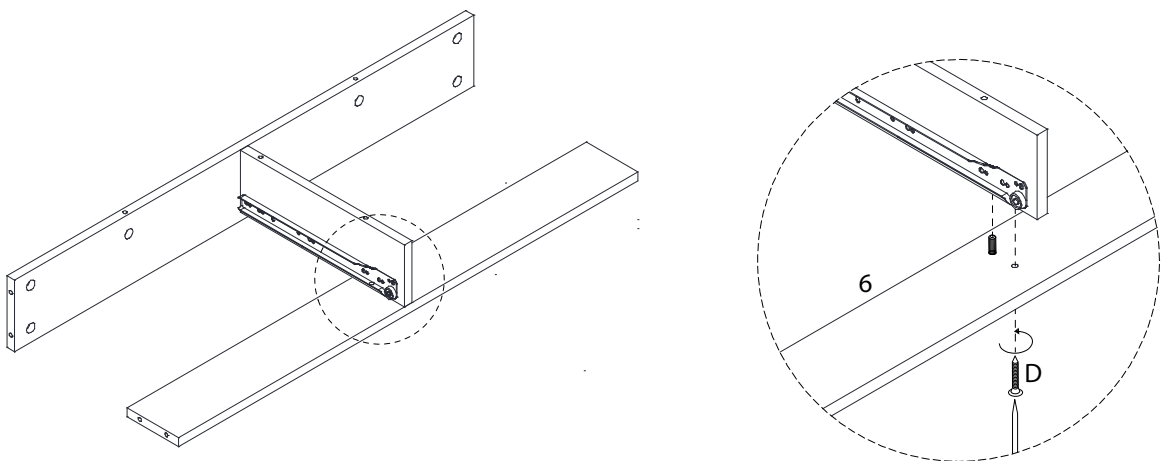
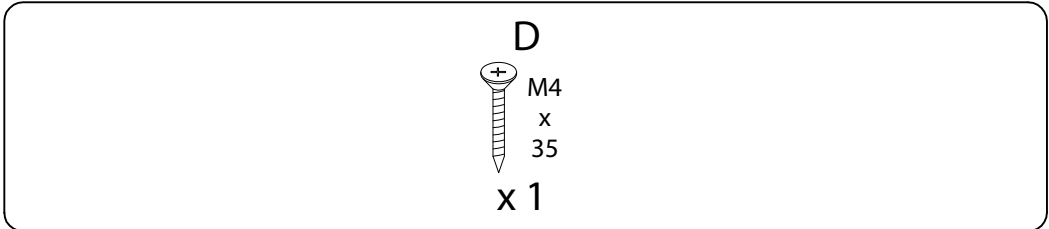
7



1a



8

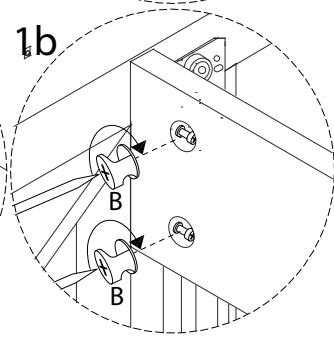
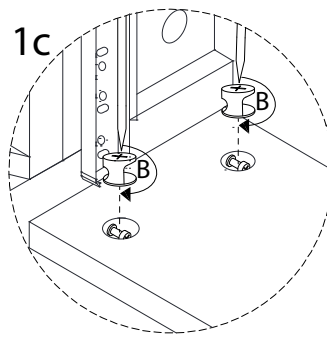
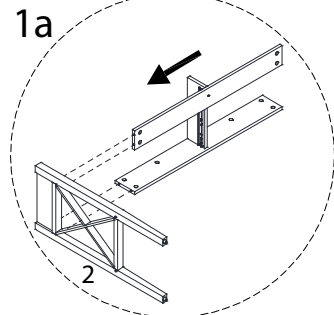
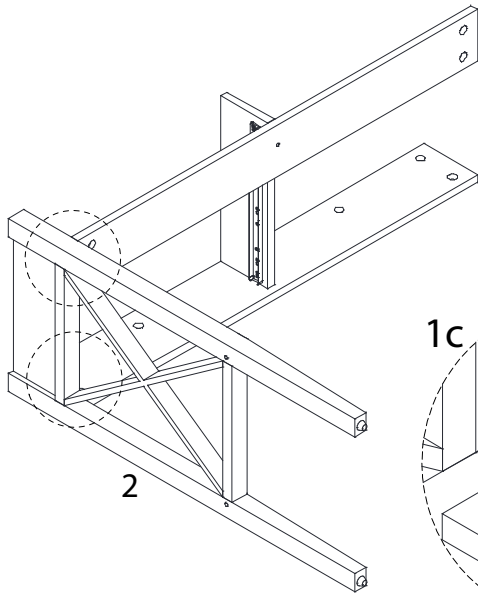


9

B

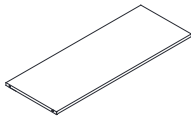


x 4



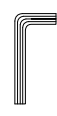
10

7



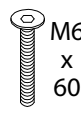
x 1

E



x 1

I

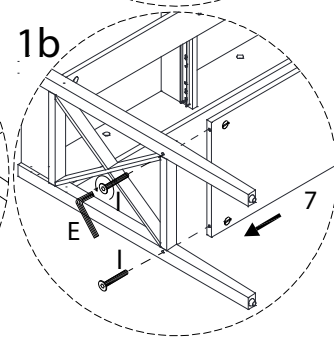
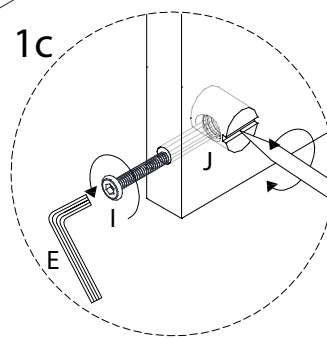
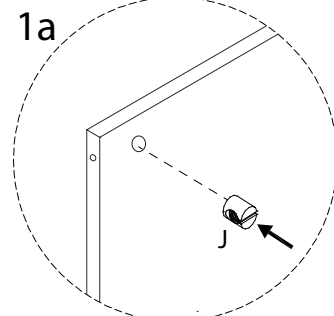
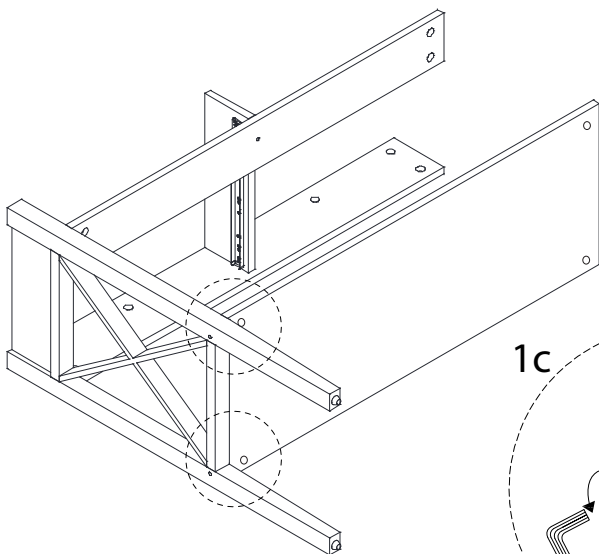


x 2

J



x 2

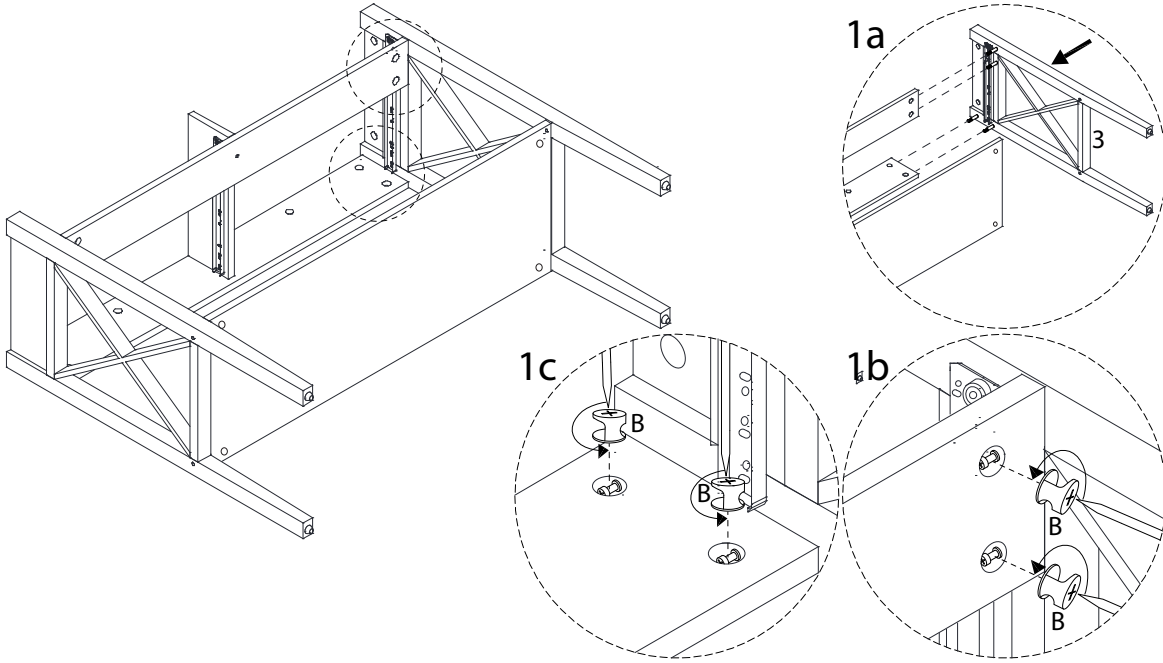


11

B

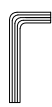


x 4



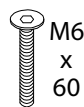
12

E



x 1

I

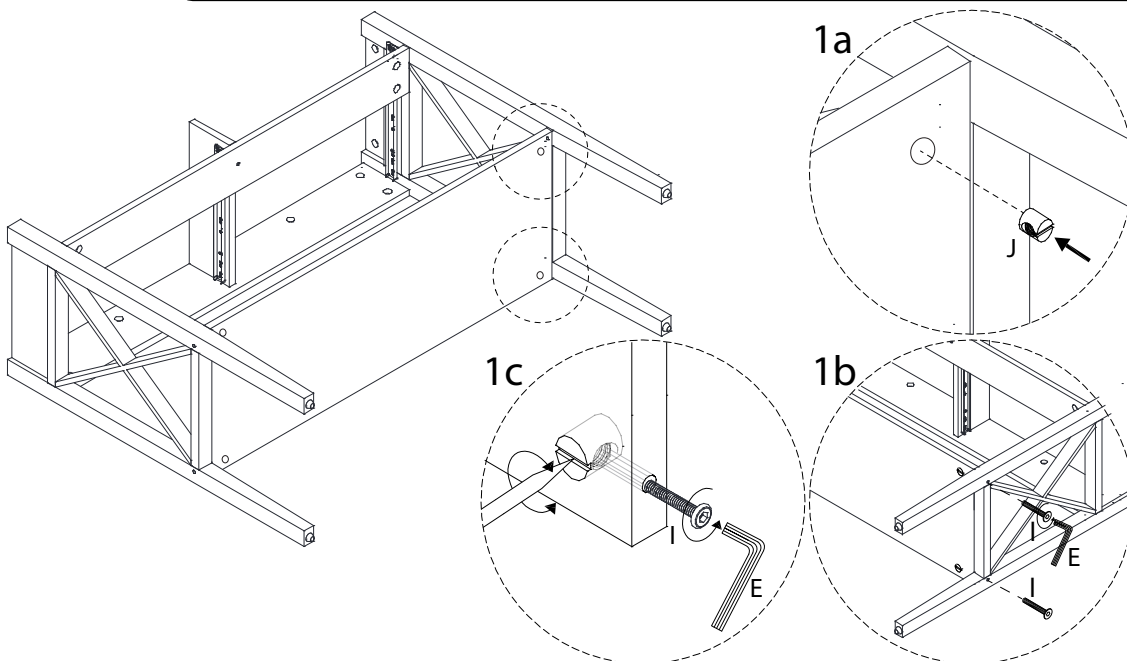


x 2

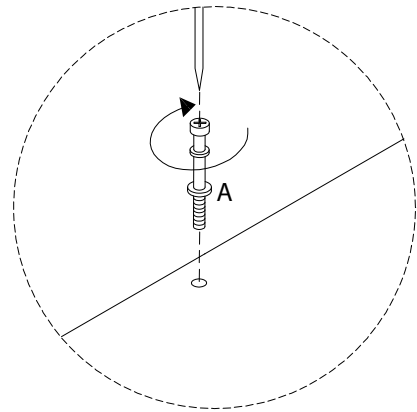
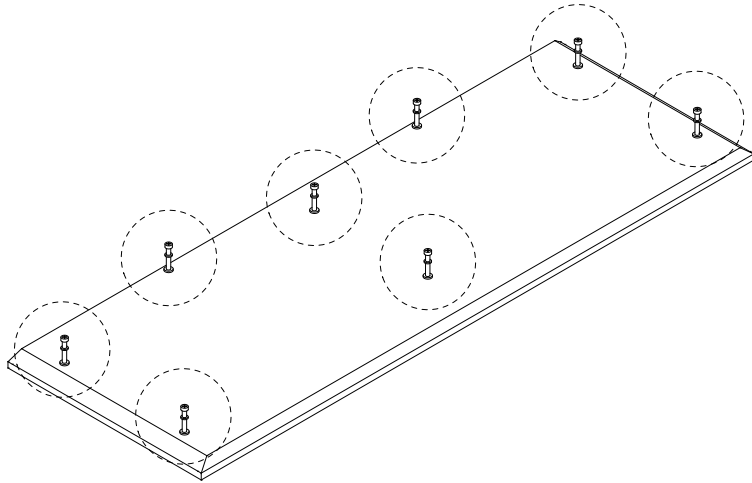
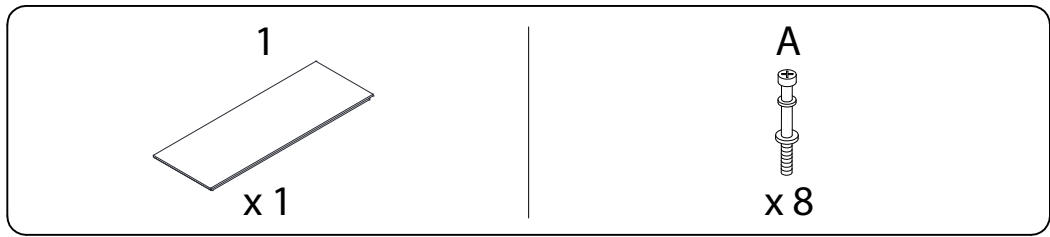
J



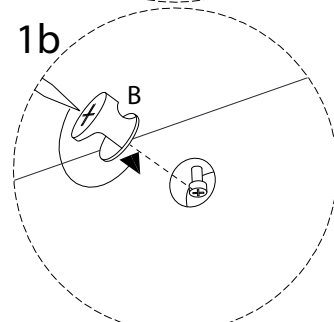
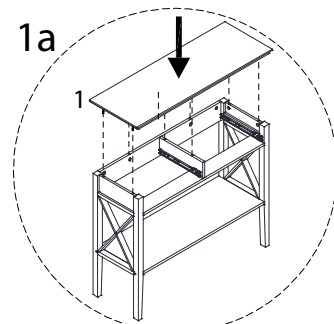
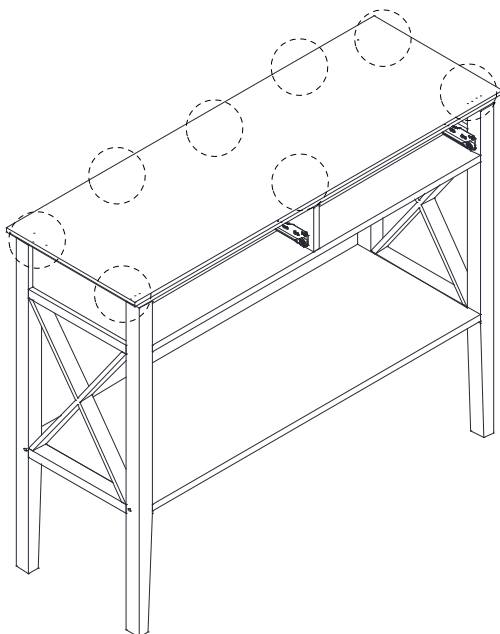
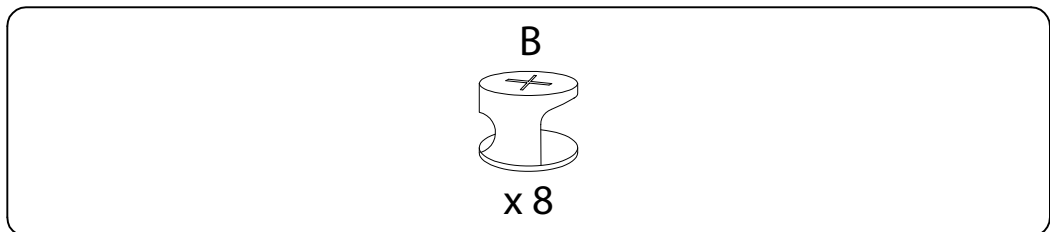
x 2



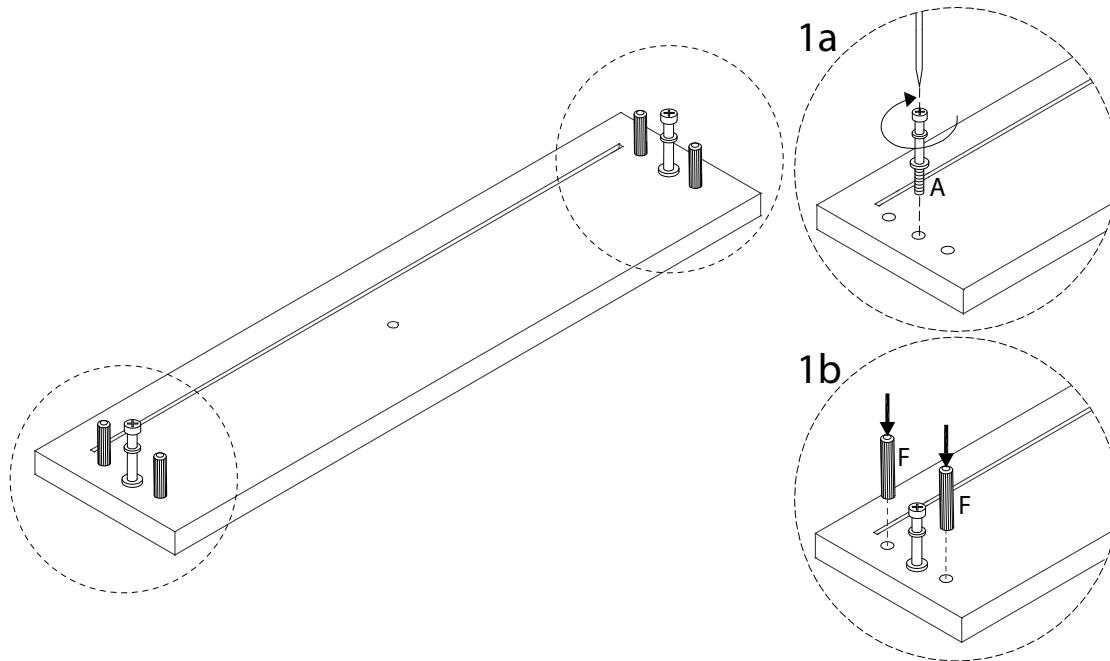
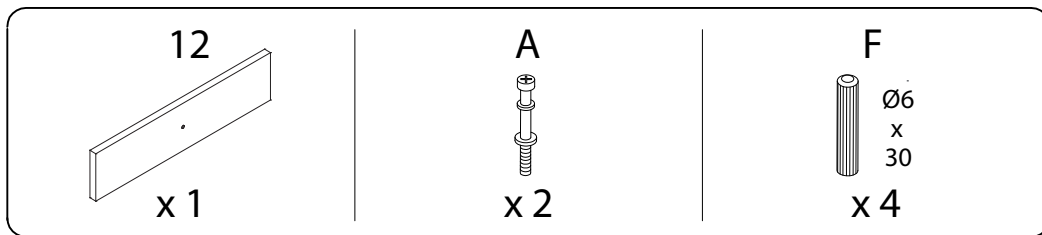
13



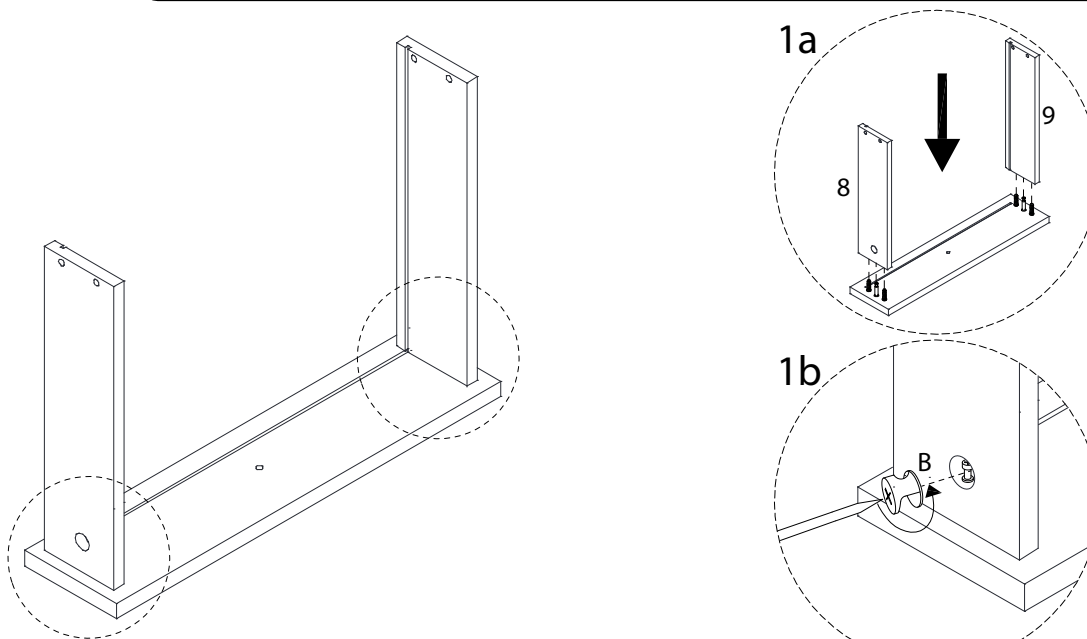
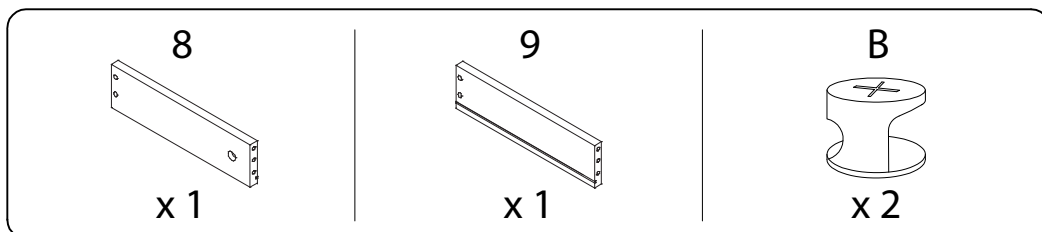
14



15 x2

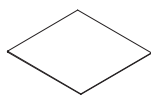


16 x2

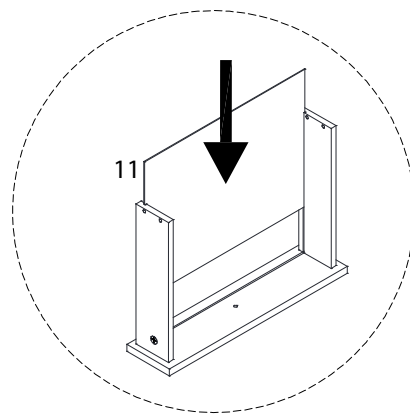
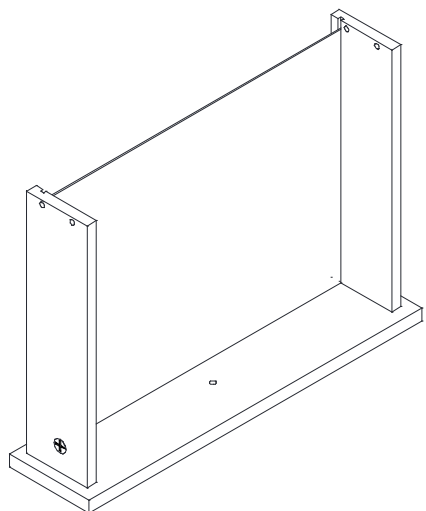


17 x2

11

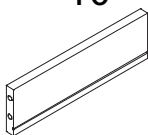


x1



18 x2

10

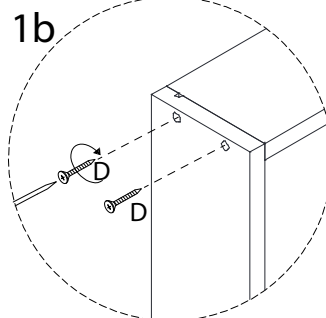
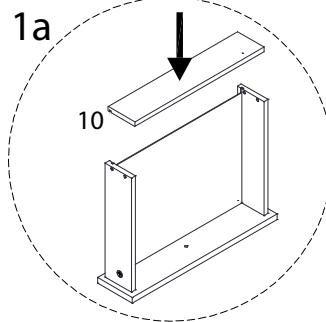
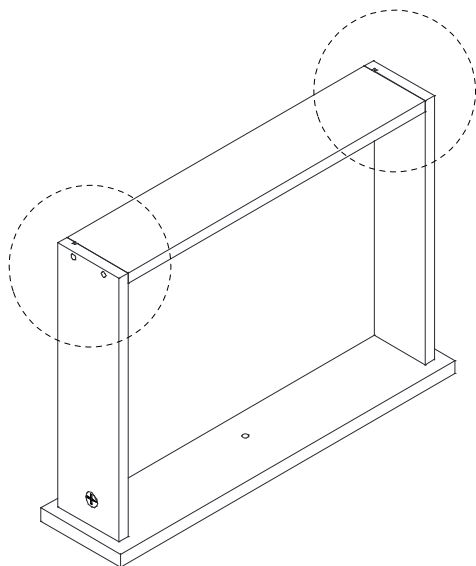


x1

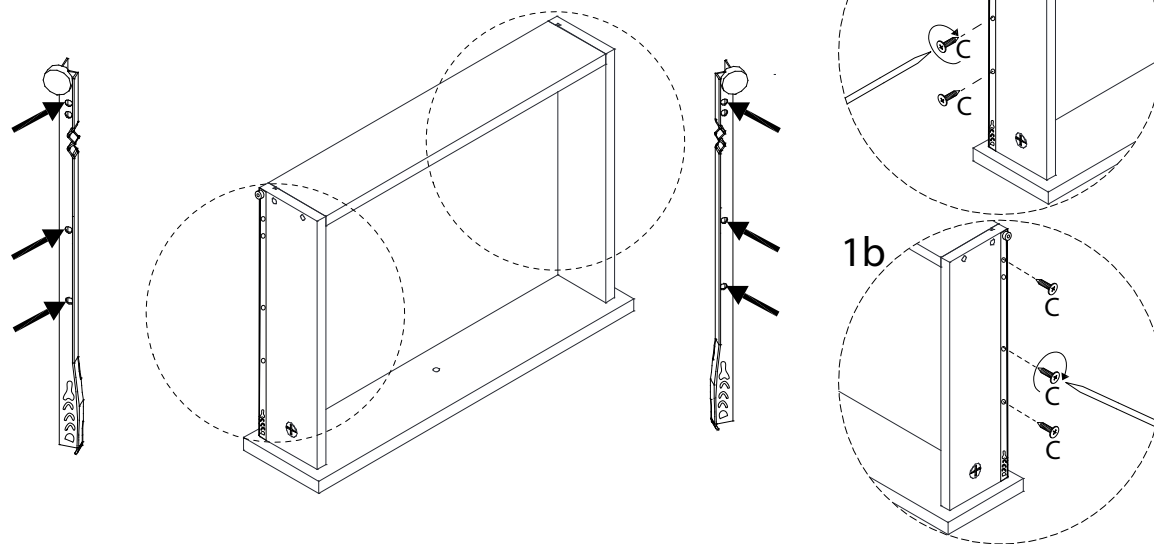
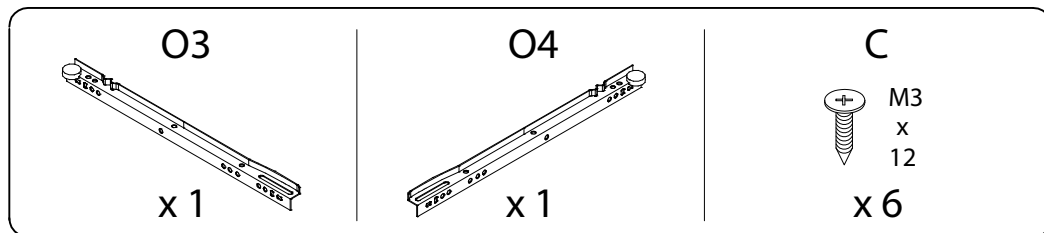
D



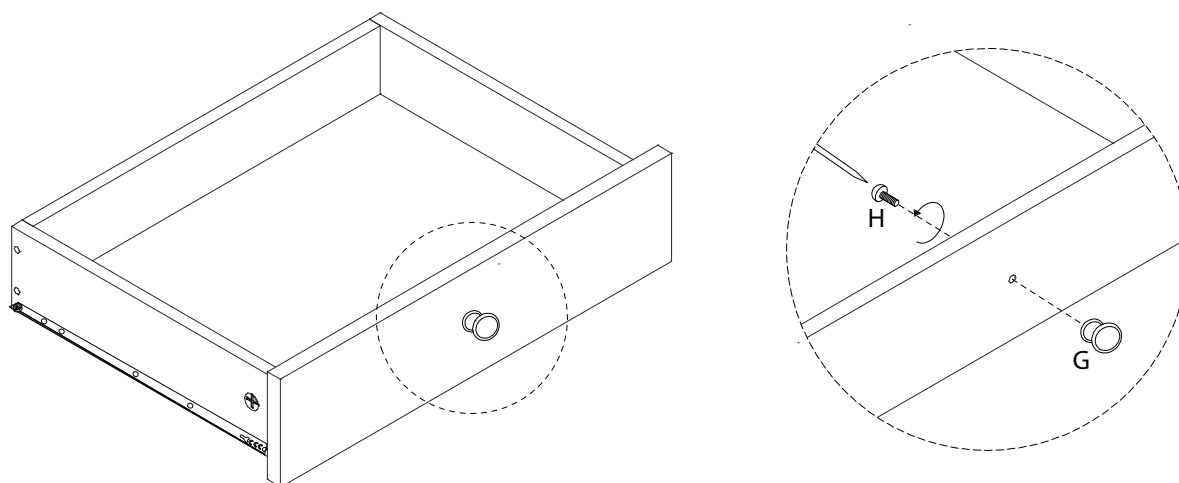
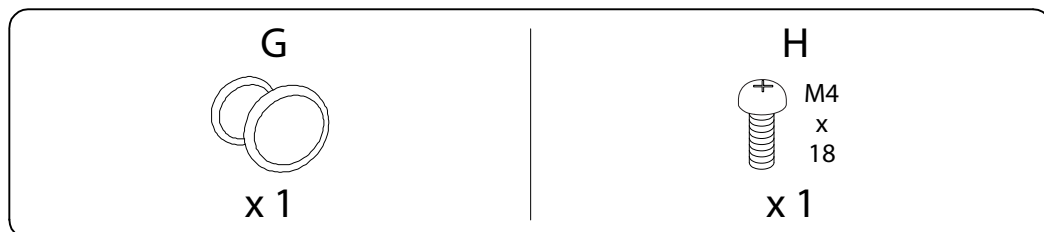
x4



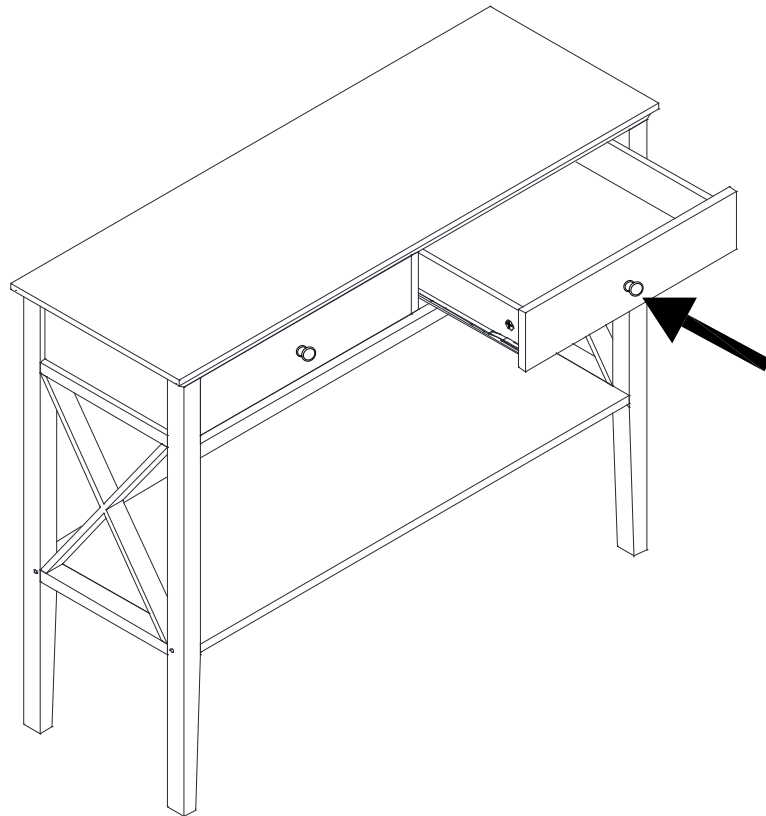
19 x2



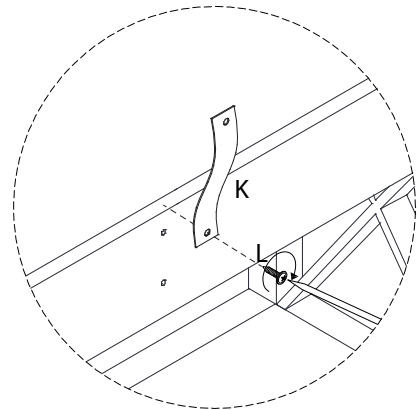
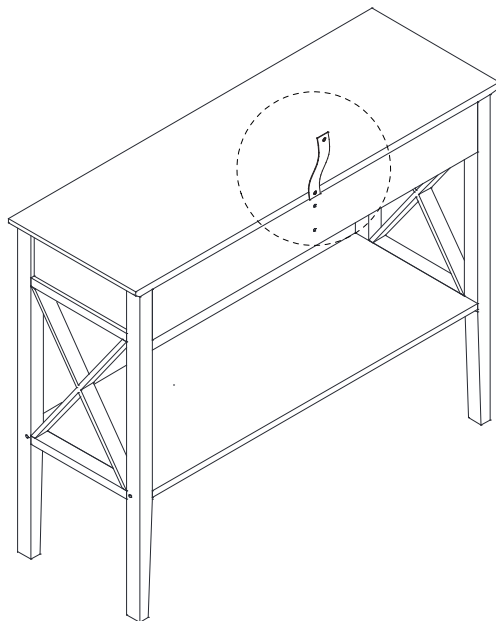
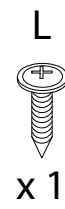
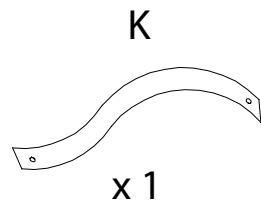
20 x2



21



22



23

