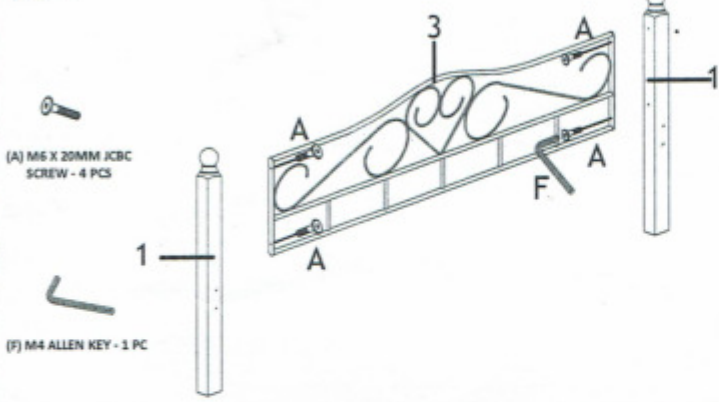


# ASSEMBLY INSTRUCTION

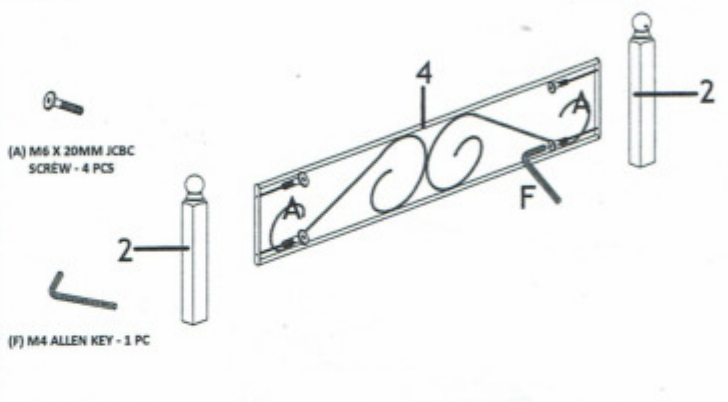
## MODEL : HOME 815 KING BED - 4 PCS WOODEN SUPPORT LEGS

Before you begin, please follow Assembly Instruction carefully. Follow them step by step.

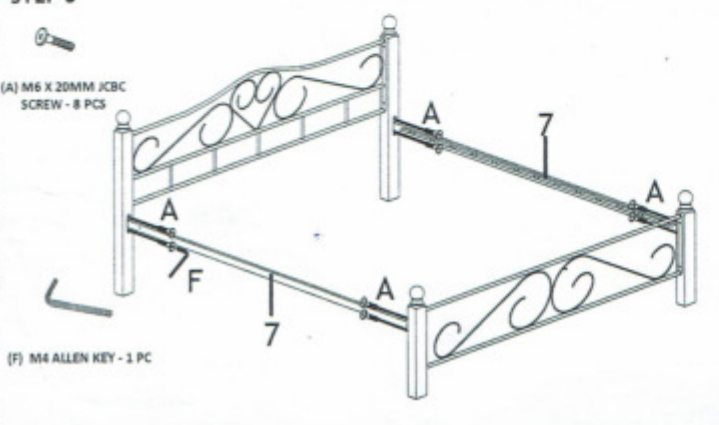
### STEP 1



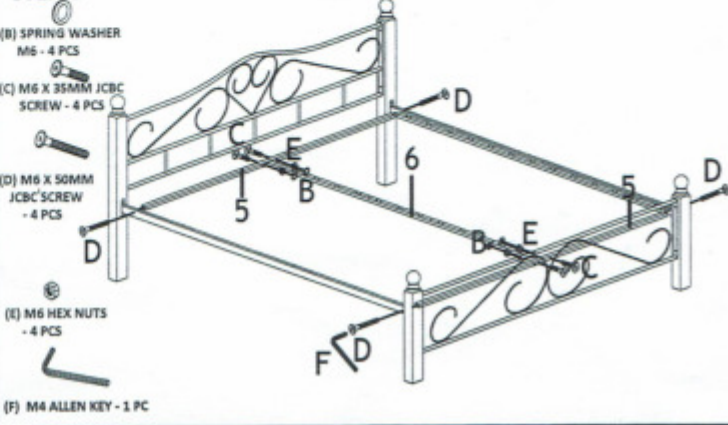
### STEP 2



### STEP 3



### STEP 4

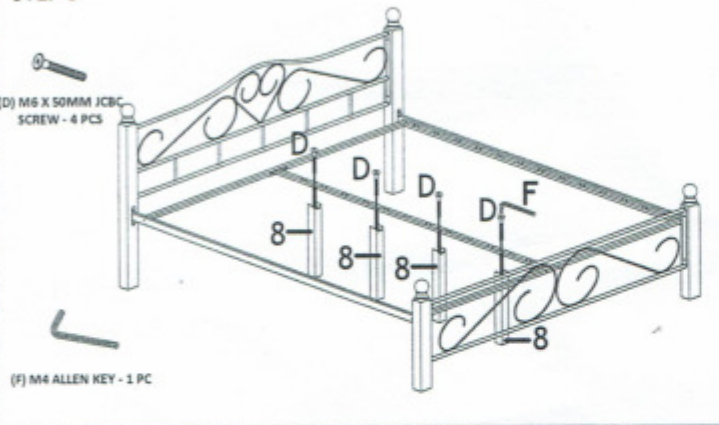


# ASSEMBLY INSTRUCTION









## MODEL : HOME 815 KING BED - 4 PCS WOODEN SUPPORT LEGS

Before you begin, please follow Assembly Instruction carefully. Follow them step by step.







### STEP 5



### PART LIST

|  |  |   |
|--|--|---|
| <br>1) HEAD POST X 2 PCS    | <br>2) FOOT POST X 2 PCS                  | <br>6) CENTER RAIL X 1PC                         |
| <br>3) HEADBOARD X 1 PC     | <br>4) FOOTBOARD X 1 PC                    | <br>7) METAL SIDE RAIL ( WITH 26 HOLES ) X 2 PCS |
| <br>5) MIDDLE RAIL X 2 PCS | <br>8) WOODEN CENTER SUPPORT LEGS X 4 PCS |   |

### HARDWARE LIST

|  |   |
|--|---|
| <br>(A) M6 X 20MM JCBC SCREW - 16 PCS | <br>(D) M6 X 50MM JCBC SCREW - 8 PCS |
| <br>(B) SPRING WASHER M6 X 4 PCS      | <br>(E) M6 HEX NUTS - 4 PCS          |
| <br>(C) M6 X 35MM JCBC SCREW - 4 PCS | <br>(F) M4 ALLEN KEY - 1 PC          |

