







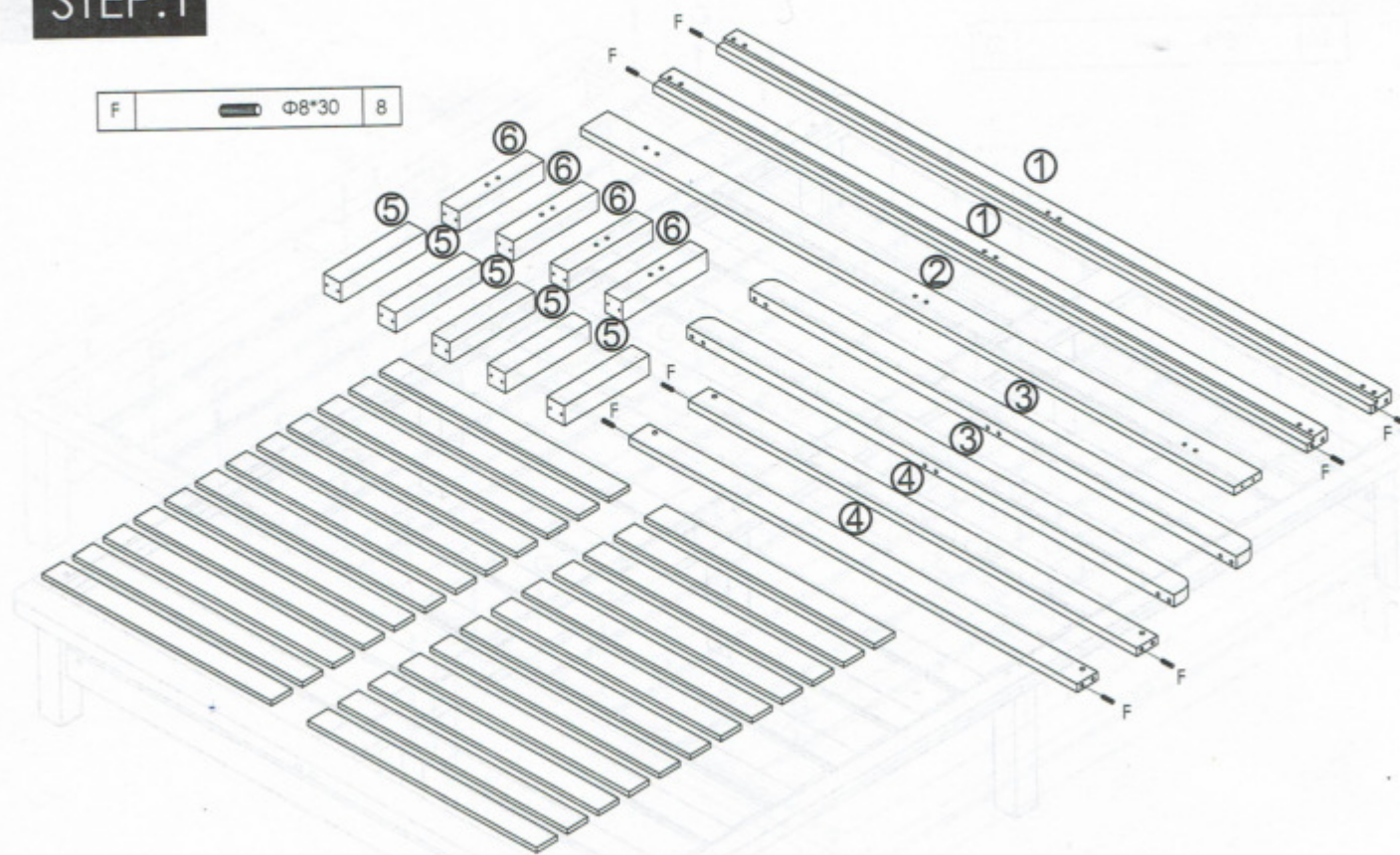


A		M6*90	8
B			8
C		Φ6*70	12
D		Φ6*90	4
E		Φ7*60	6
F		Φ8*30	8
G		4*30	52
H			1

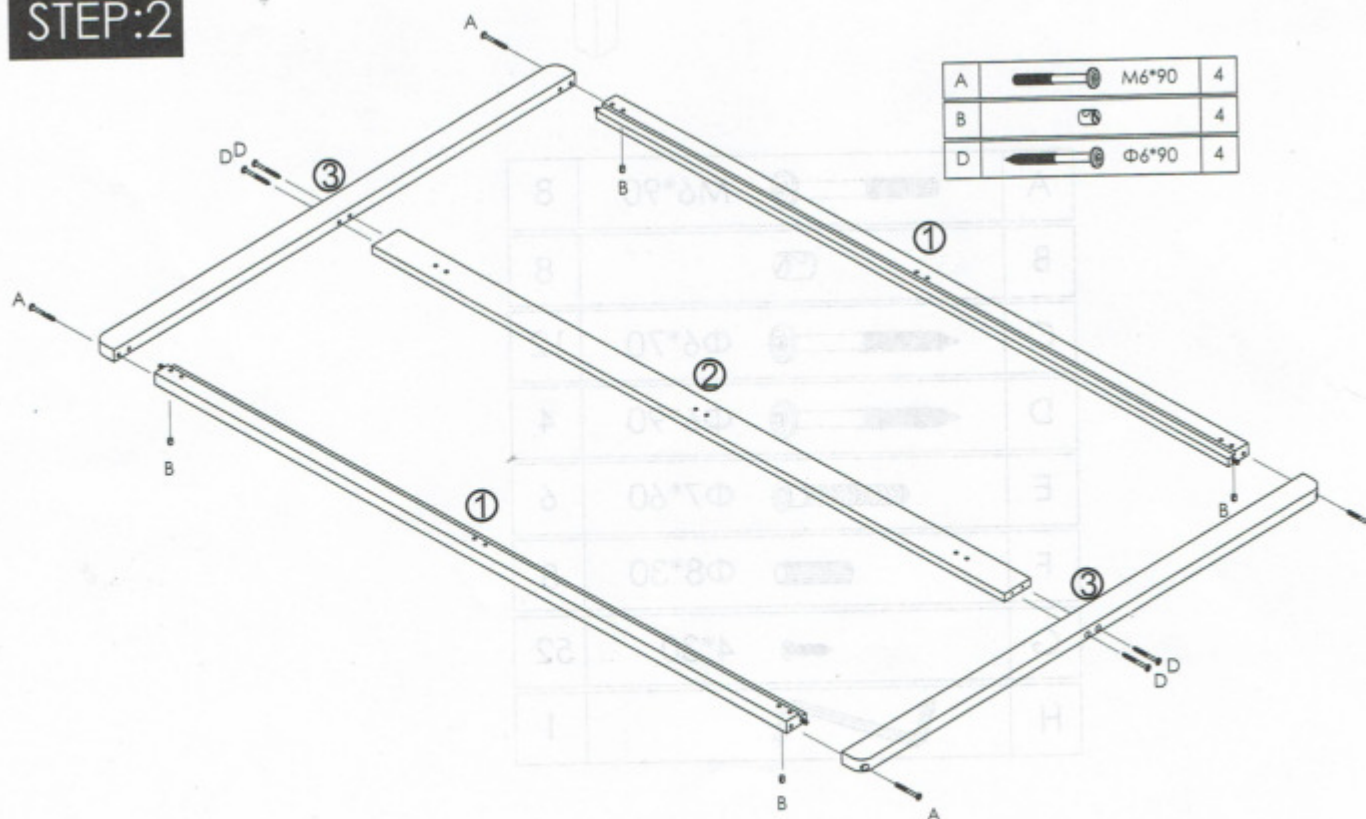
STEP:1

F		Φ8*30	8
---	--	-------	---



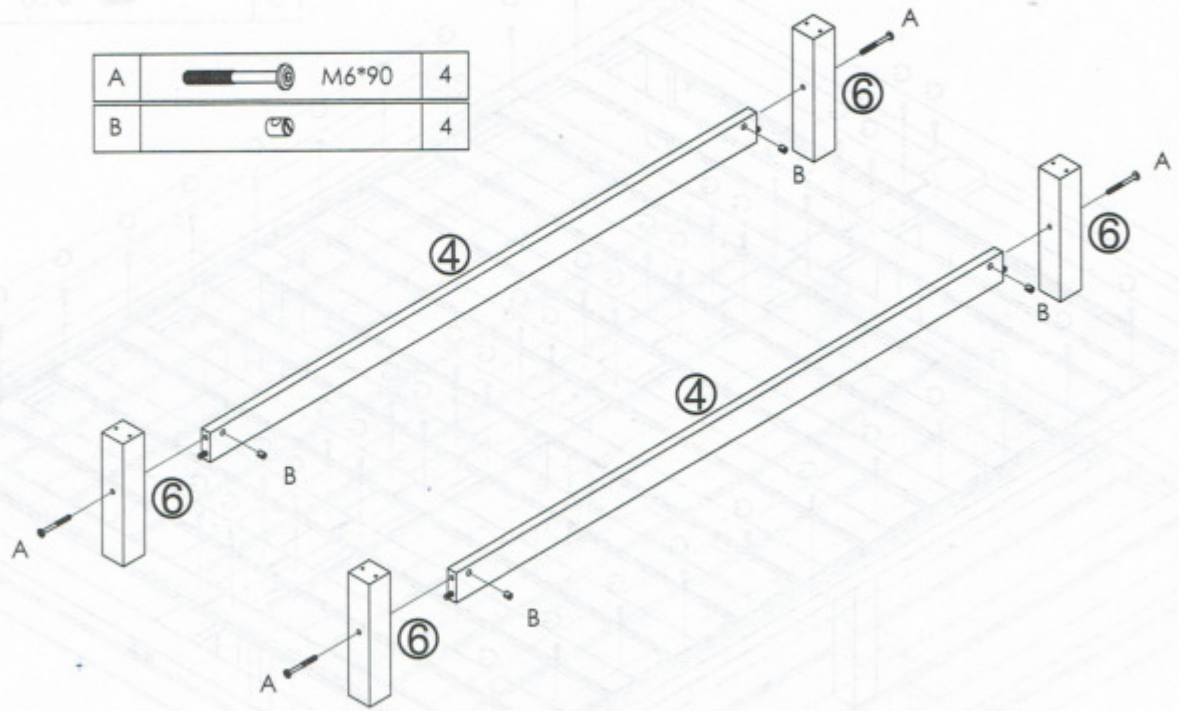
STEP:2

A		M6*90	4
B			4
D		Φ6*90	4



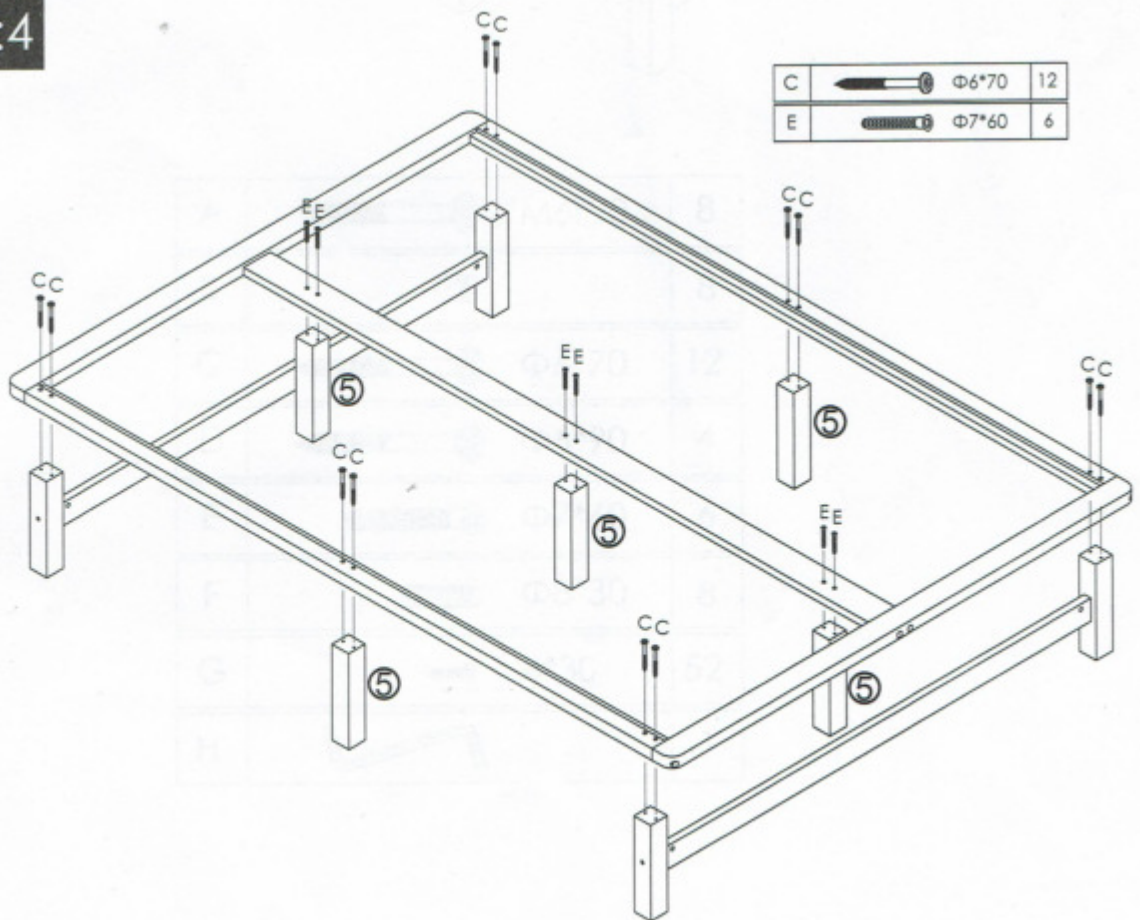
STEP:3

A		M6*90	4
B			4



STEP:4

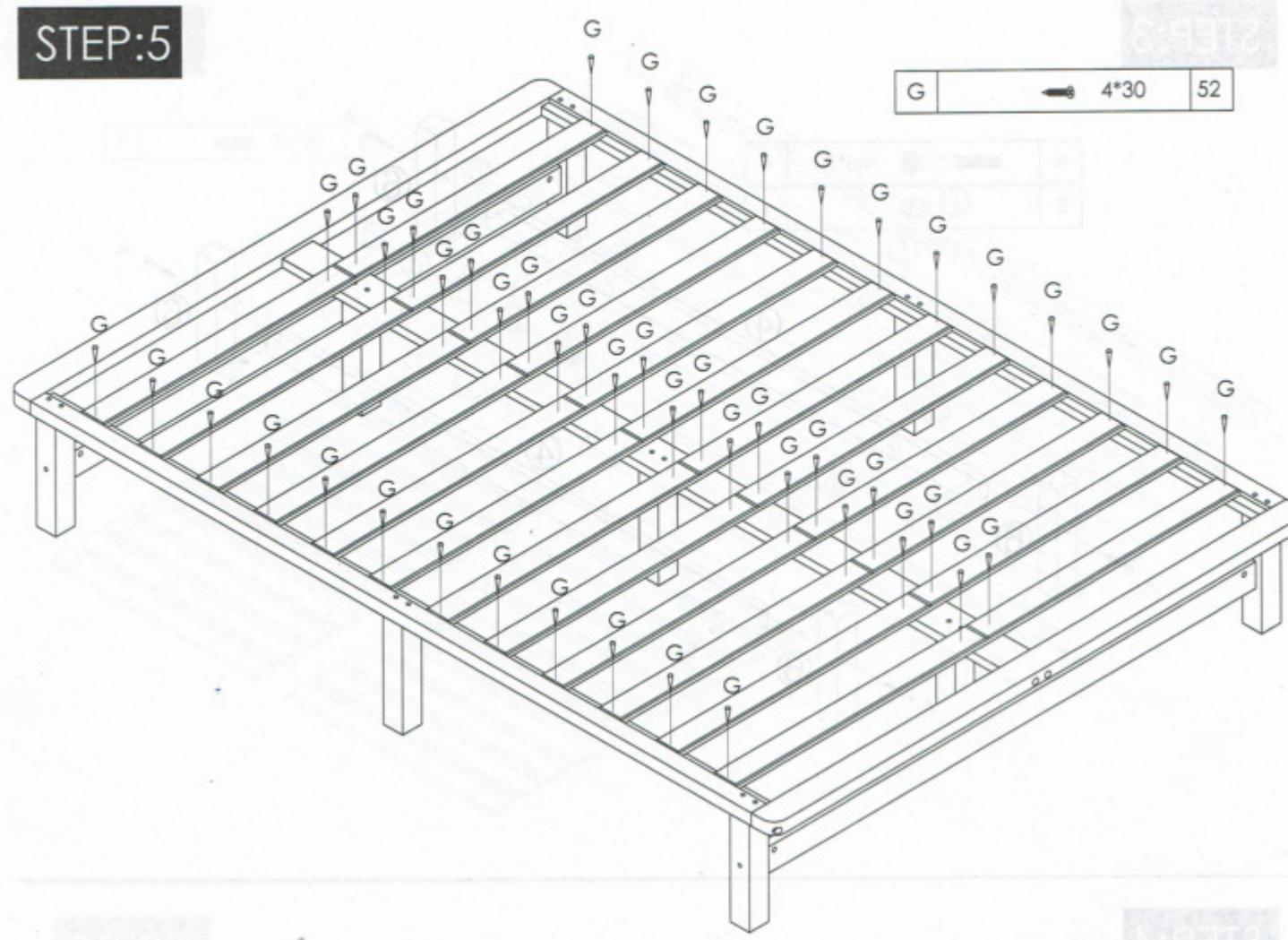
C		Φ6*70	12
E		Φ7*60	6



STEP:5

STEP:3

G		4*30	52
---	---	------	----



STEP:4

