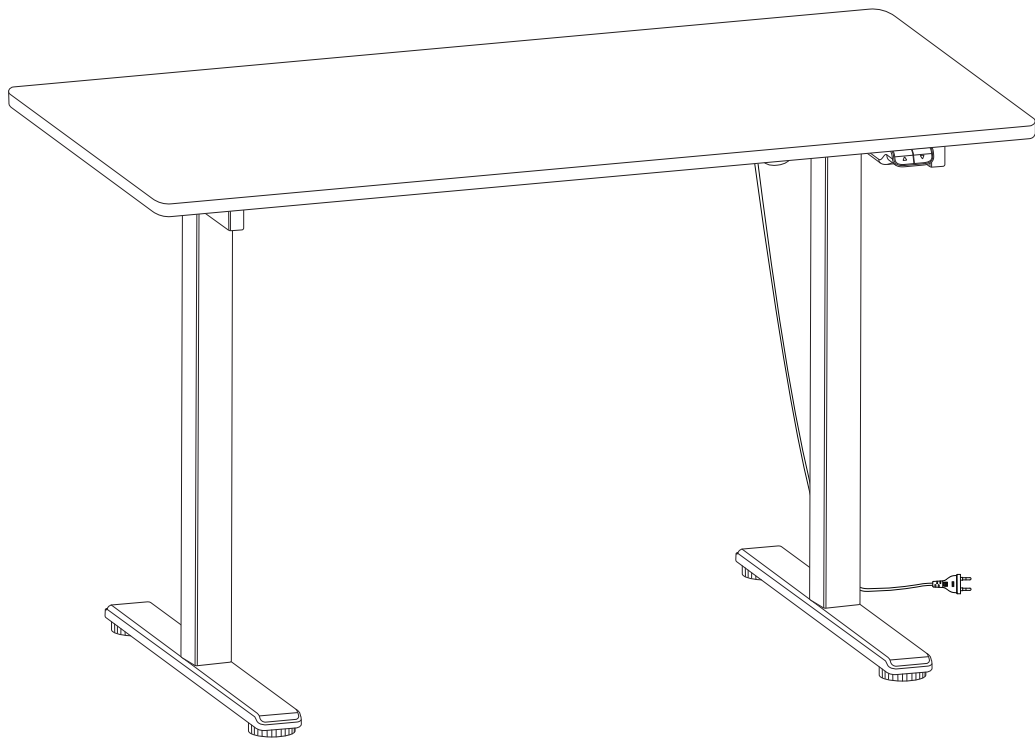
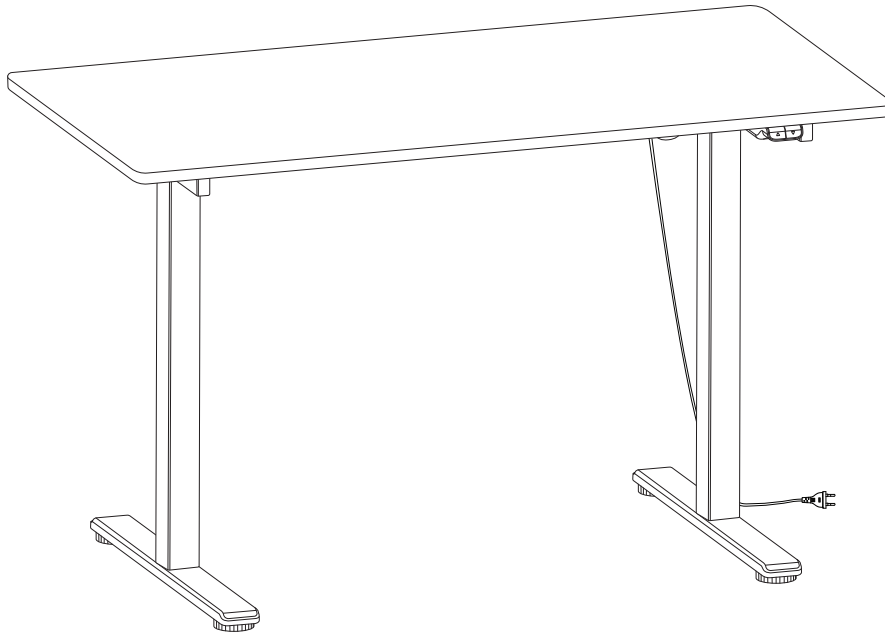


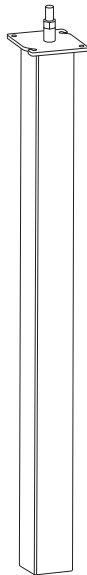
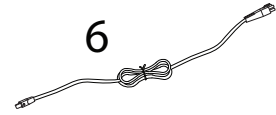
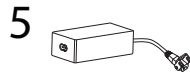
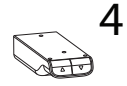
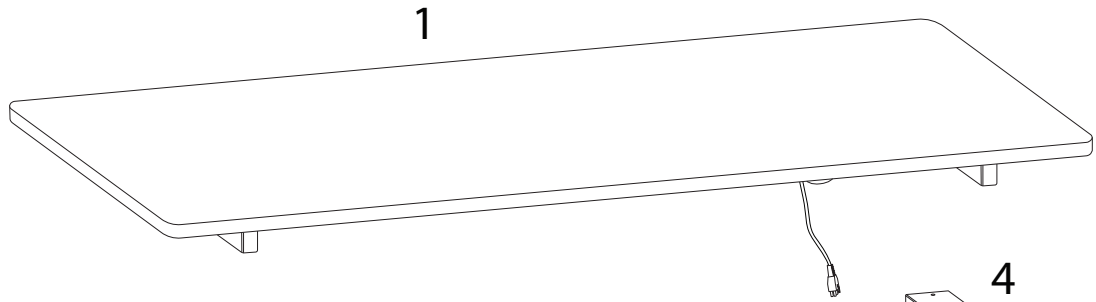
# GRIFTON



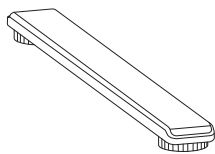
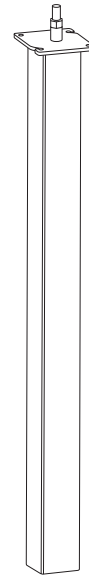



25'

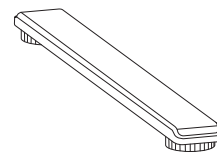
2





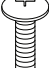


2 x 2

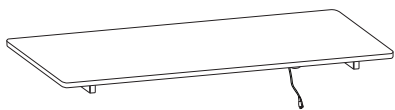


3 x 2



A	B	C	D	E
 <p>M6 x 12</p>	 <p>M6 x 16</p>			 <p>M4 x 19</p>
x 4	x 8	x 1	x 1	x 2

1



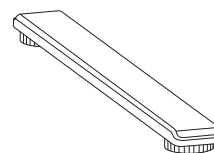
x 1

2



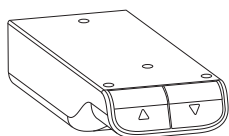
x 2

3



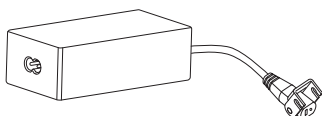
x 2

4



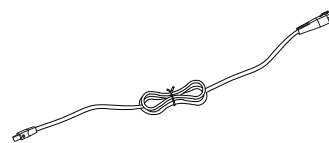
x 1

5



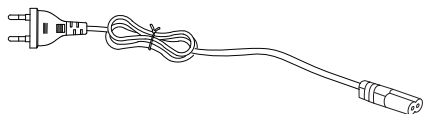
x 1

6



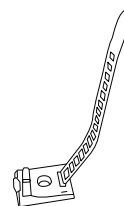
x 1

7



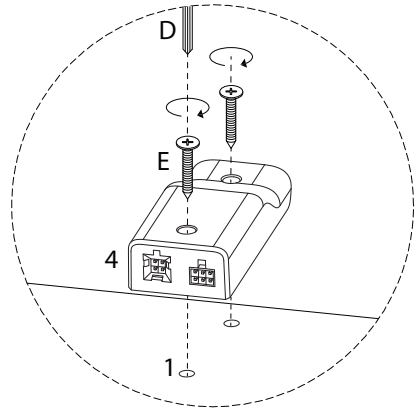
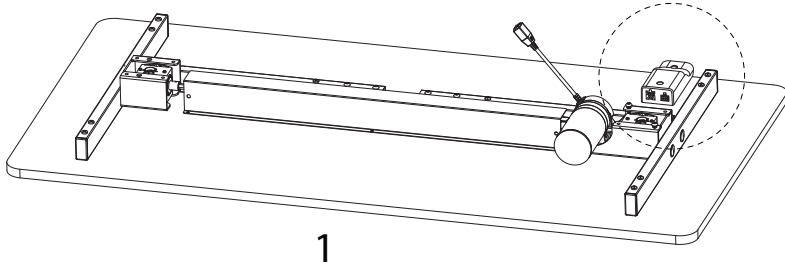
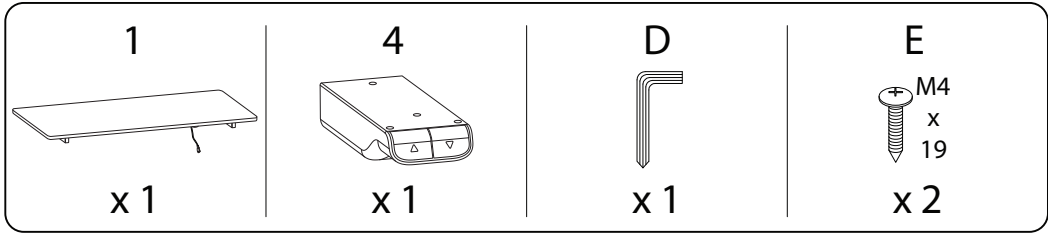
x 1

8

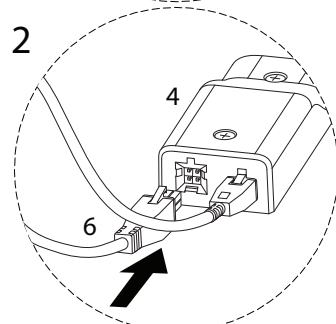
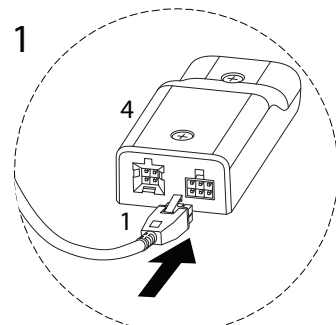
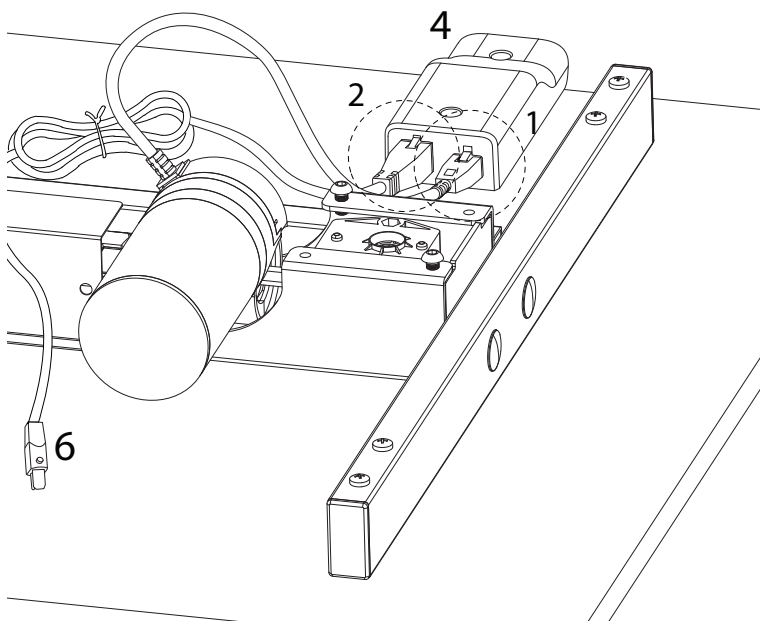
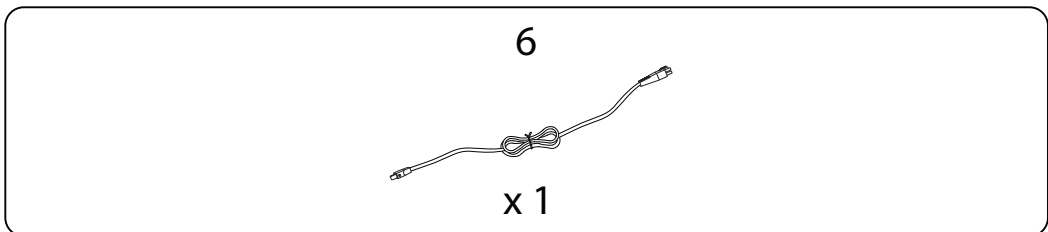


x 4

1

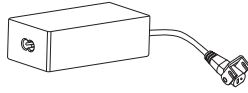


2

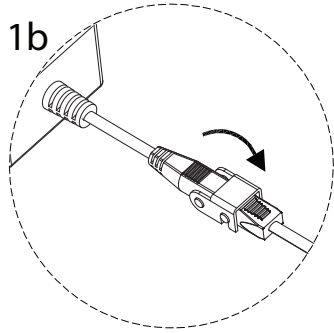
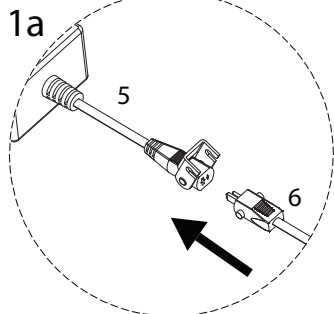
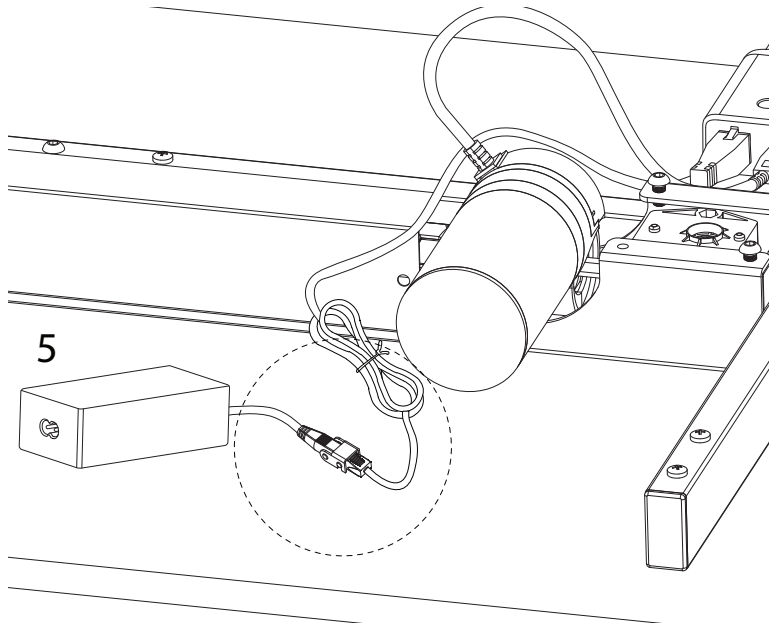


3

5

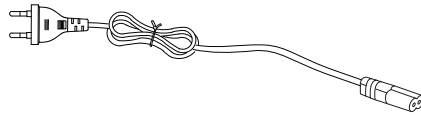


x 1

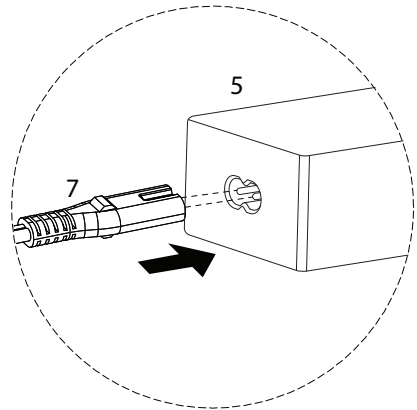
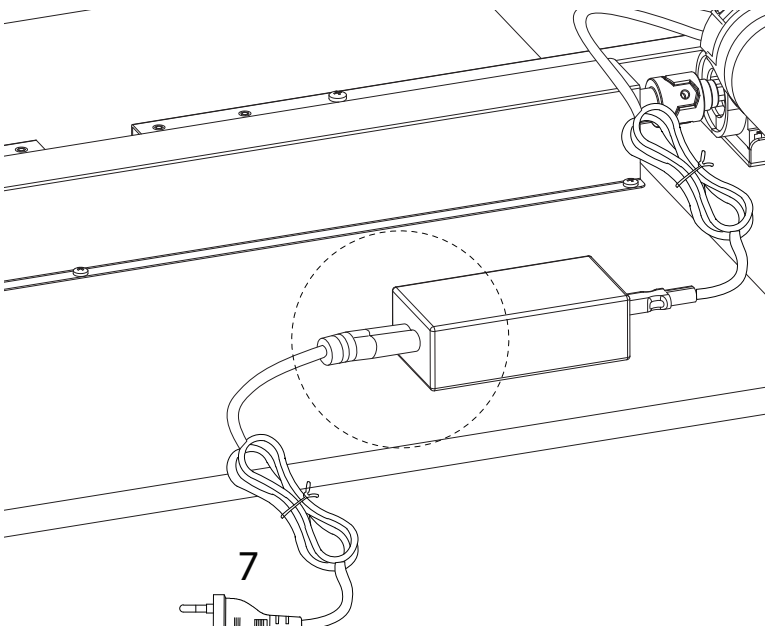


4

7



x 1

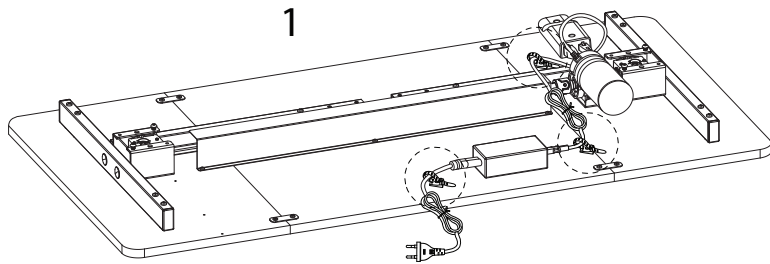


5

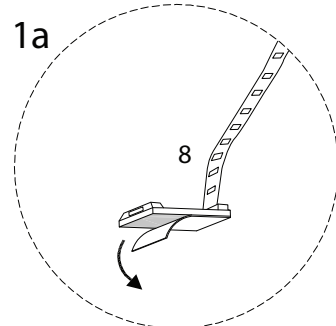
8



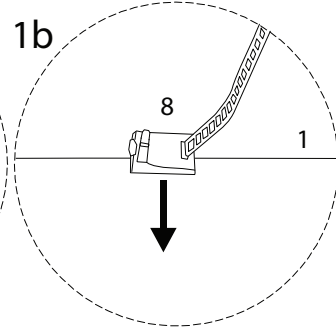
x 4



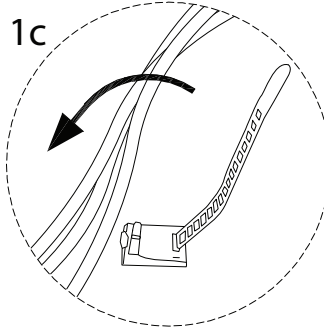
1a



1b



1c

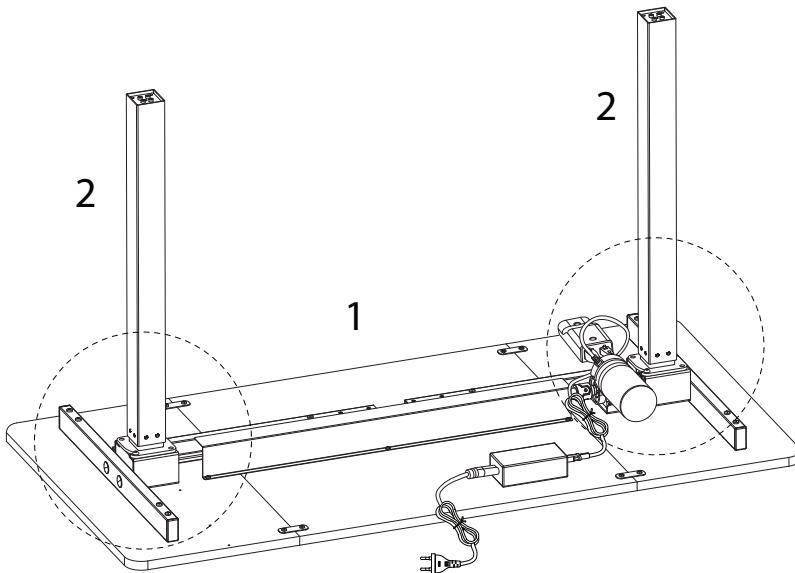


6

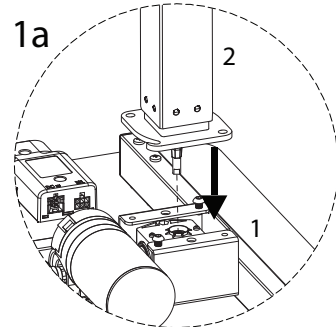
2



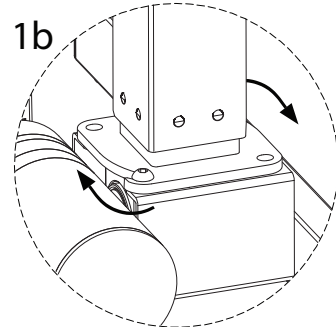
x 2



1a



1b



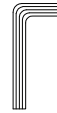
7

A

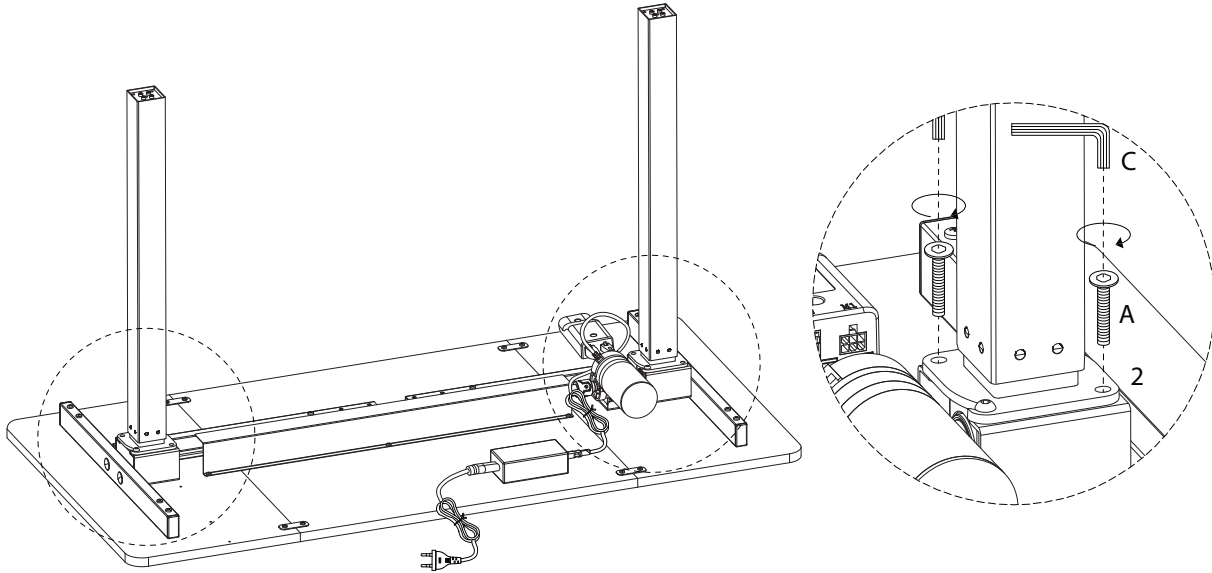


x 4

C

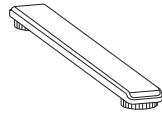


x 1



8

3



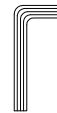
x 2

B

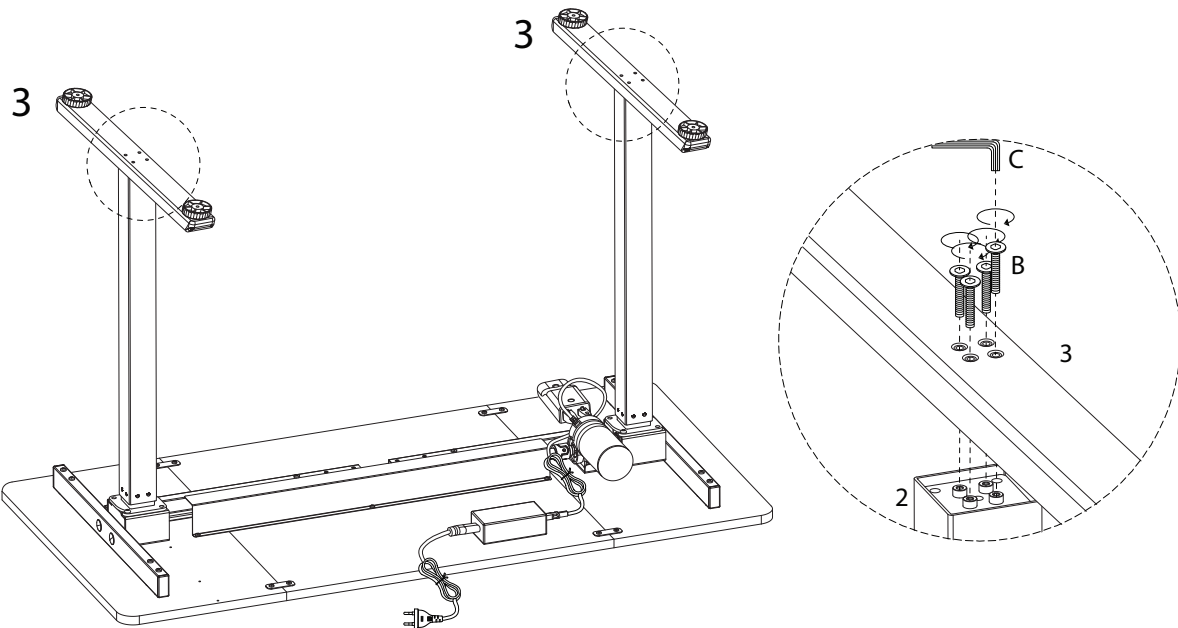


x 8

C



x 1





9

