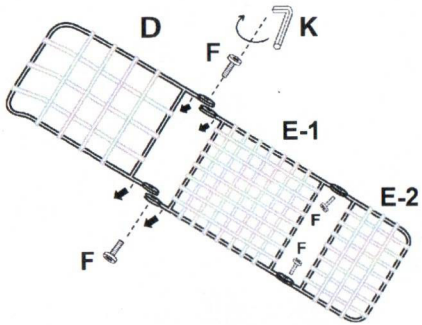
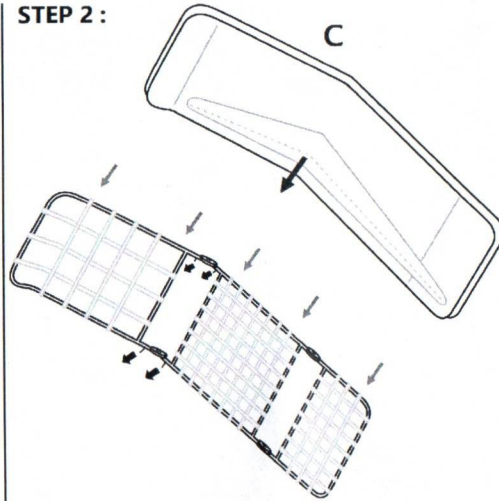


ASSEMBLY INSTRUCTION

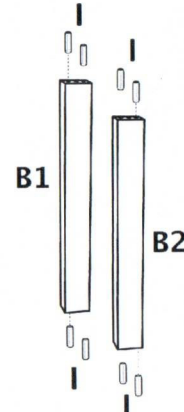
STEP 1:



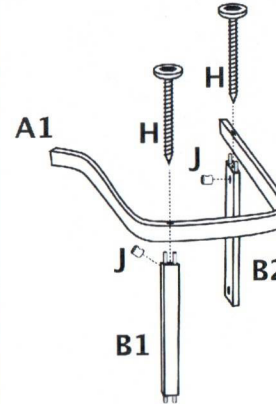
STEP 2:



STEP 3:



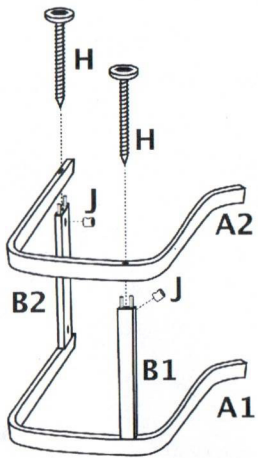
STEP 4:



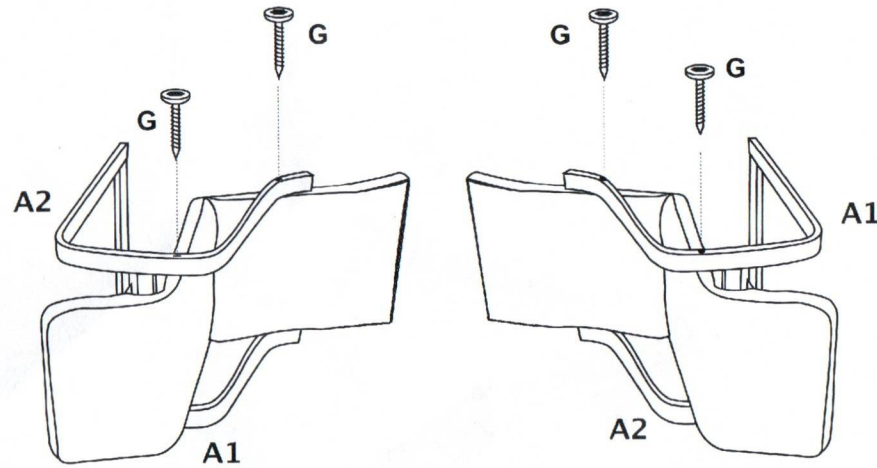
PARTS LIST

A x2		F x4	
B x2		G x4	
C x1		H x4	
D x1		I x8	
E-1 x1		J x4	
E-2 x1		K x1	

STEP 5:



STEP 6:



Finish

