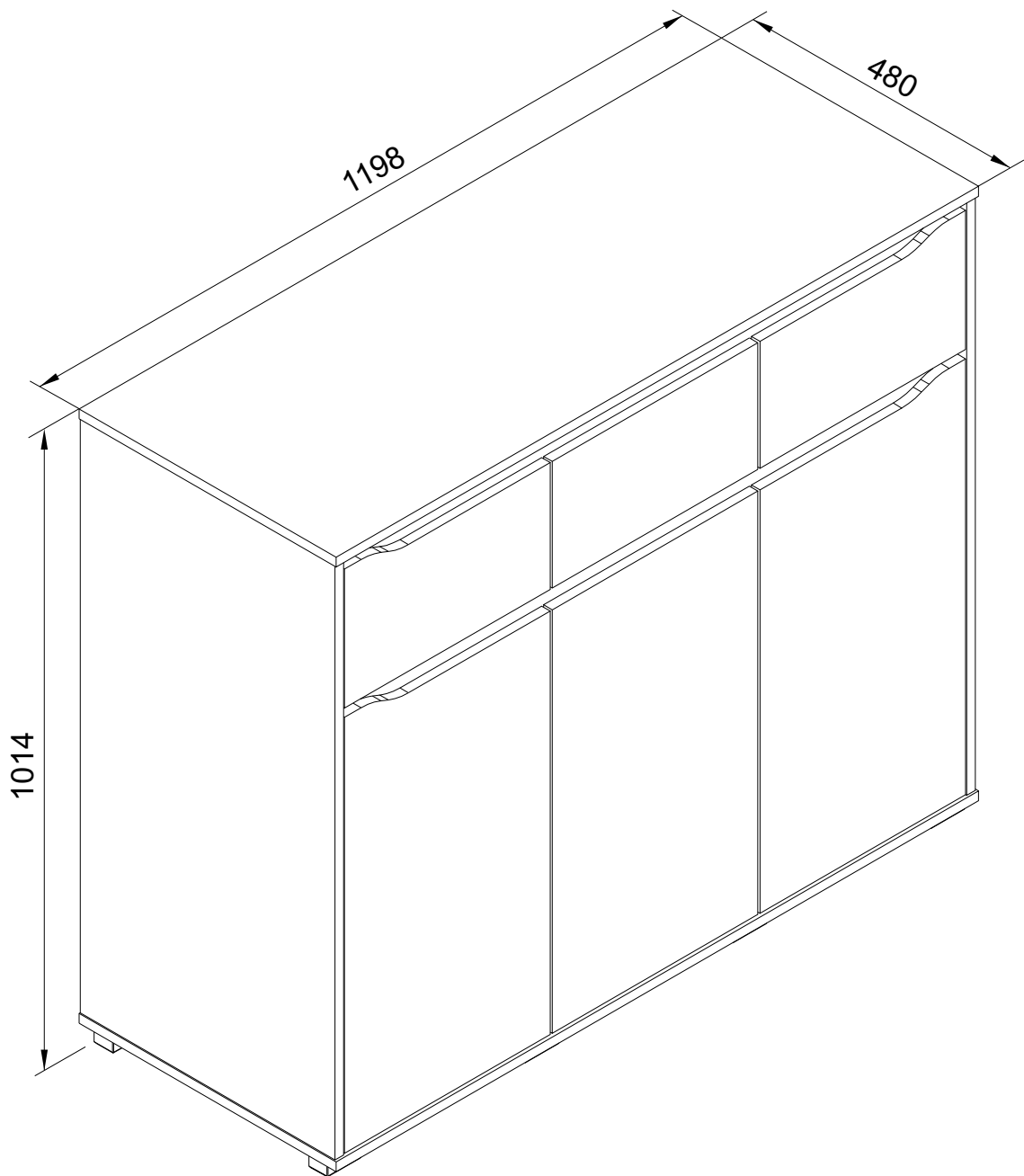
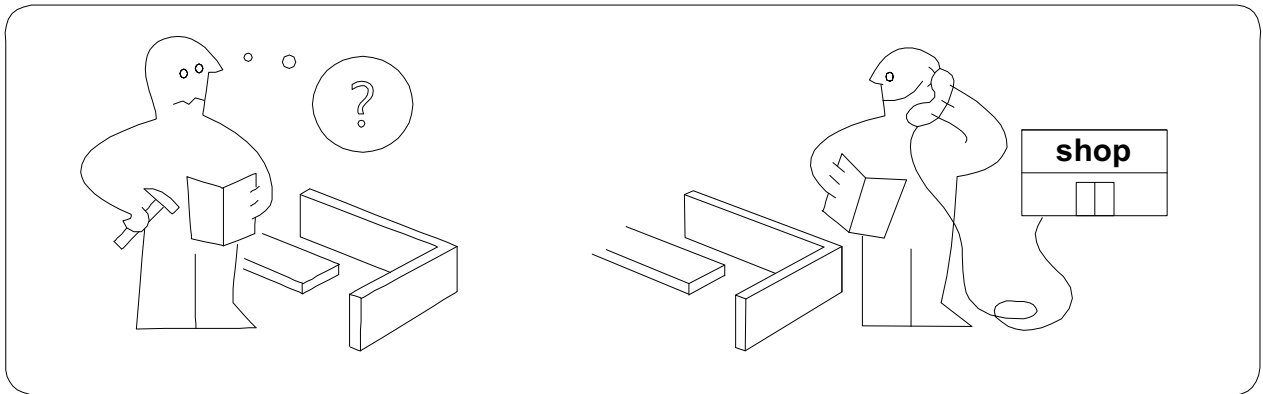
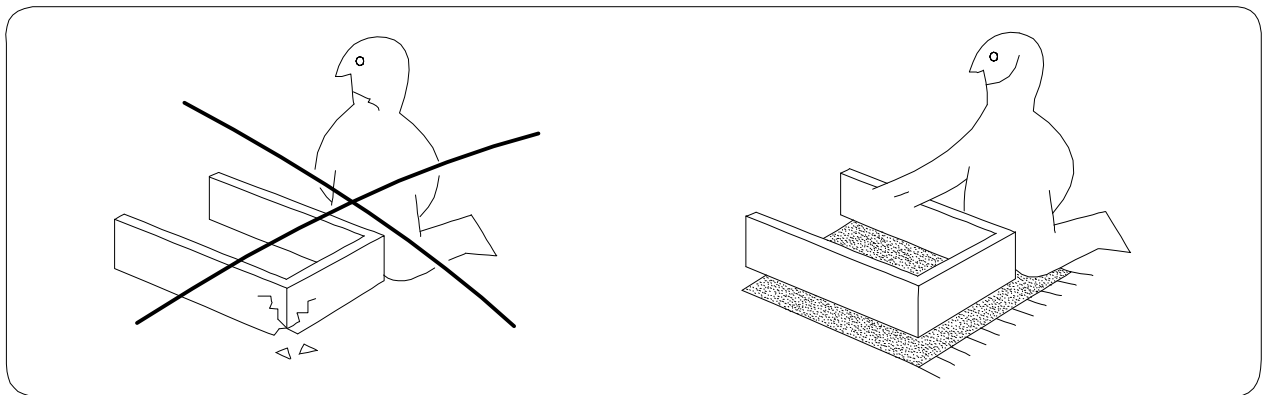
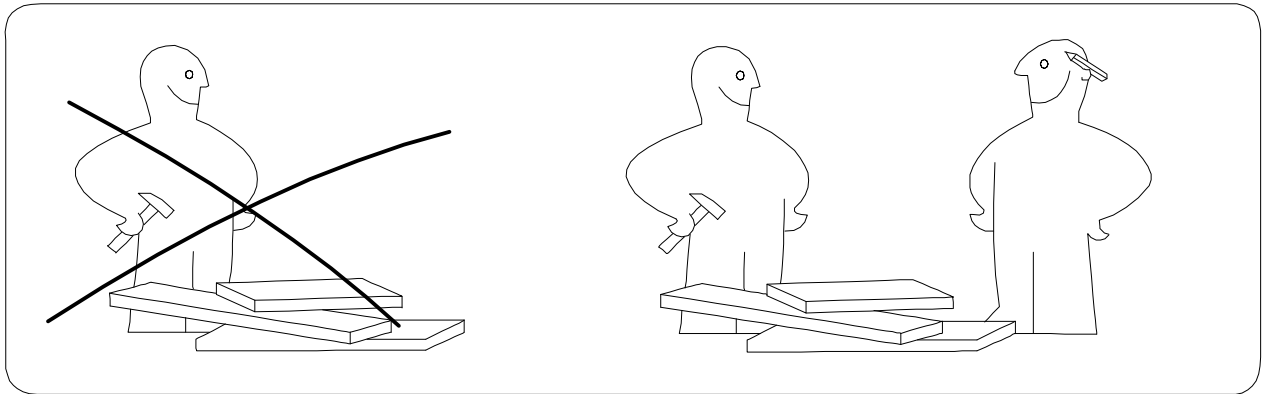
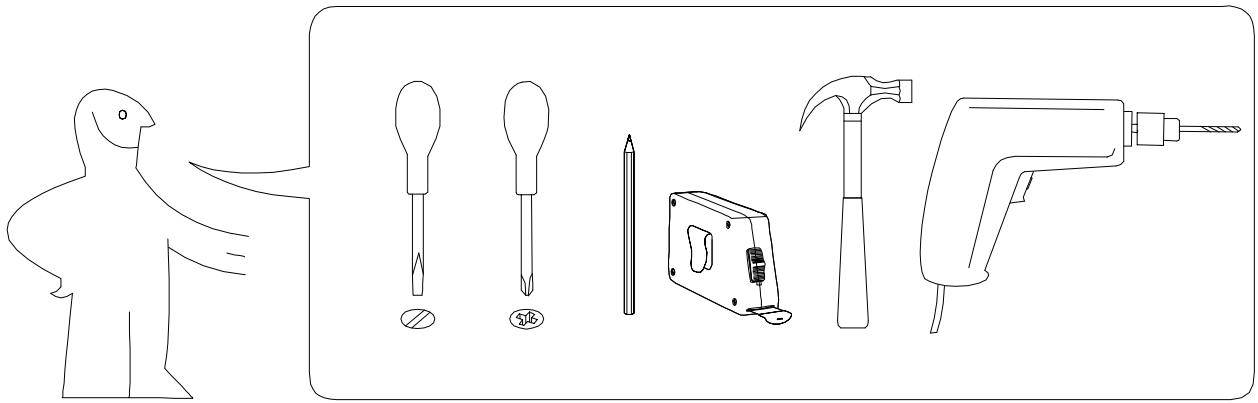




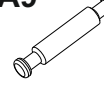
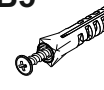
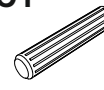
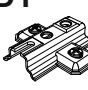


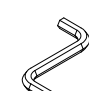
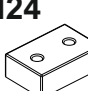
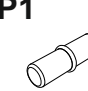













MÖBEL 3531 KOMMODE RUBBEN 120CM



MÖBEL 3531 KOMMODE RUBBEN 120 CM

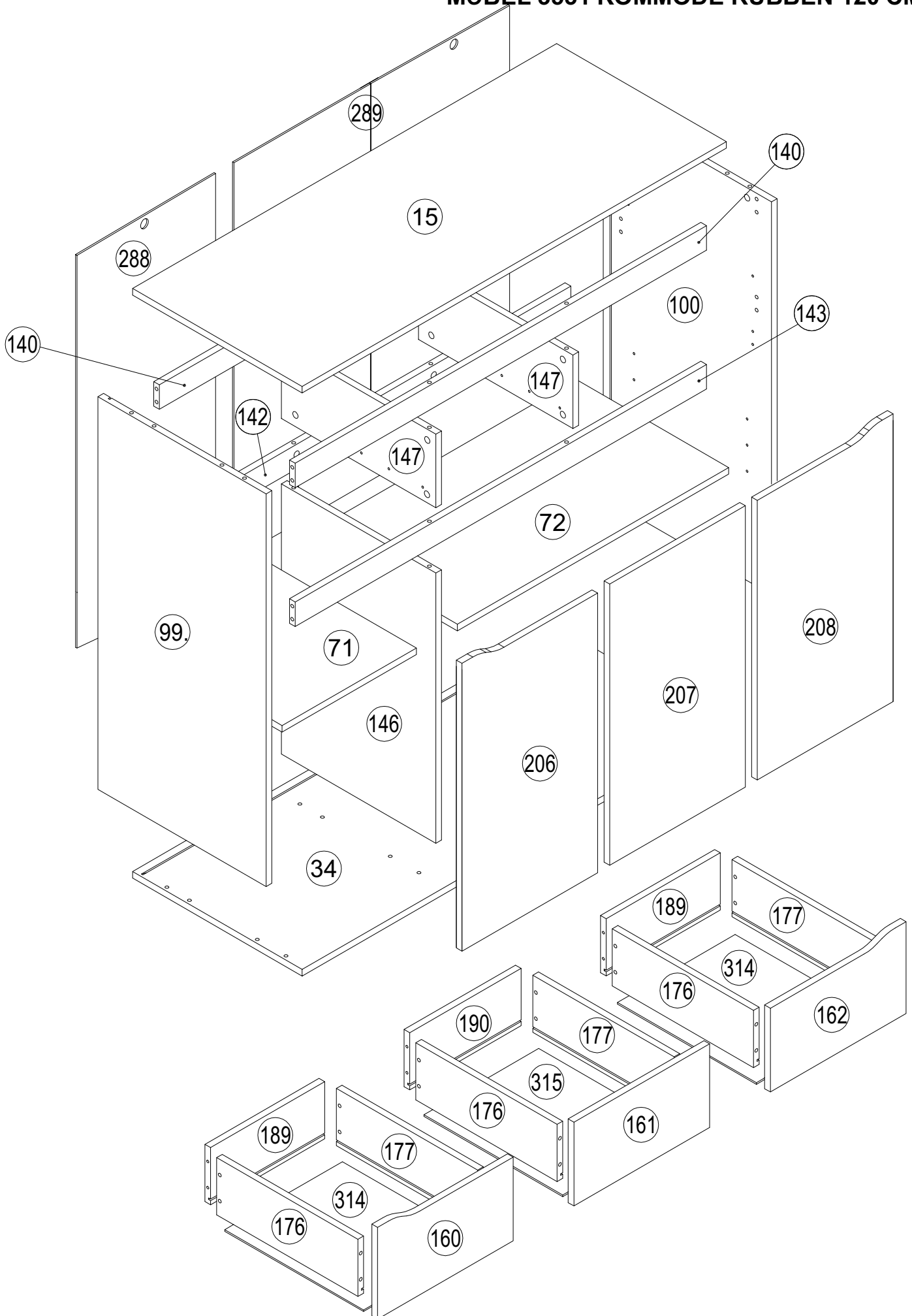


0
10
20
30
40
50
60
70
80
90
100


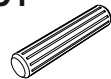


A1.0  5x28 34	A2  Ø15x13 42	A9  L-47,4 4	B5  10x50 2	C1  8x35 12	D1  6	E4  2	E6  4
I  S4 1	N24  8	P1  Ø5 8	Q4  1	R1  3x13 12	R3  3x20 3	R23  6,3x13 12	R24  7x50 24
R27  5,0x13 18	R46  3,5x20 16	R102  3,5x16 18	S1  30	S3  3	S5  Ø18 12	U  90x35x15 2	Z4  400 3

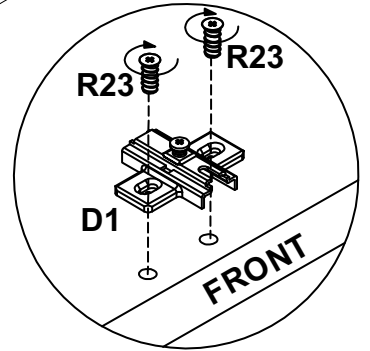
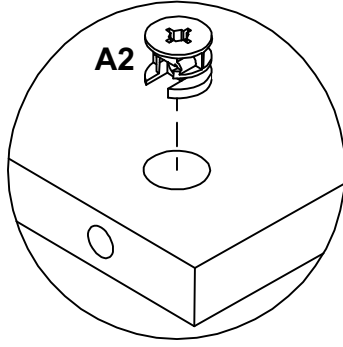
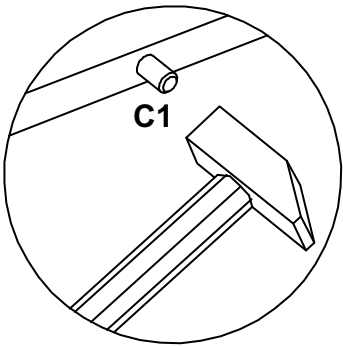
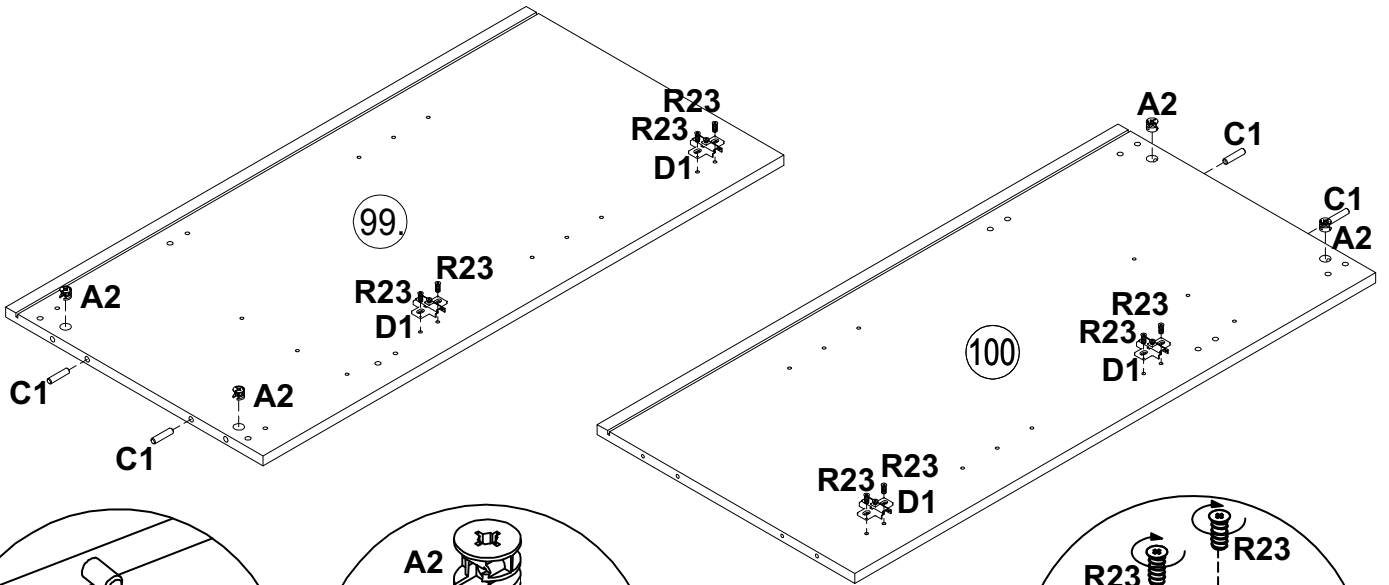
N	Size/MaB (mm)	Qty	✓	Pack	N	Size/MaB (mm)	Qty	✓	Pack
15	1198x480x16	1		2/3	161	384x205x16	1		3/3
34	1198x480x16	1		2/3	162	384x225x16	1		3/3
71	380x432x16	1		1/3	176	400x140x16	3		1/3
72	768x432x16	1		1/3	177	400x140x16	3		1/3
99	962x476x16	1		1/3	189	323x140x16	2		1/3
100	962x476x16	1		1/3	190	315x140x16	1		1/3
140	1164x60x16	2		2/3	206	384x705x16	1		3/3
142	1164x60x16	1		2/3	207	384x685x16	1		3/3
143	1164x60x16	1		2/3	208	384x705x16	1		3/3
146	662x437x16	1		1/3	288	974x394x2,5	1		2/3
147	180x437x16	2		2/3	289	974x782x2,5	1		2/3
160	384x225x16	1		3/3	314	393x333x2,5	2		2/3
					315	393x325x2,5	1		2/3

MÖBEL 3531 KOMMODE RUBBEN 120 CM




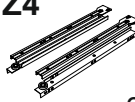


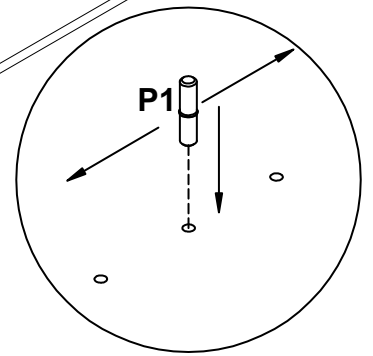
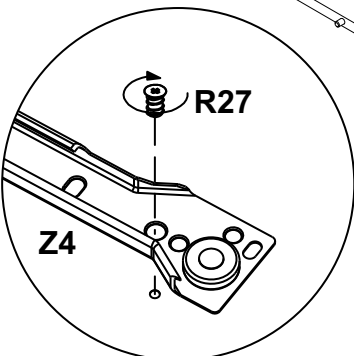
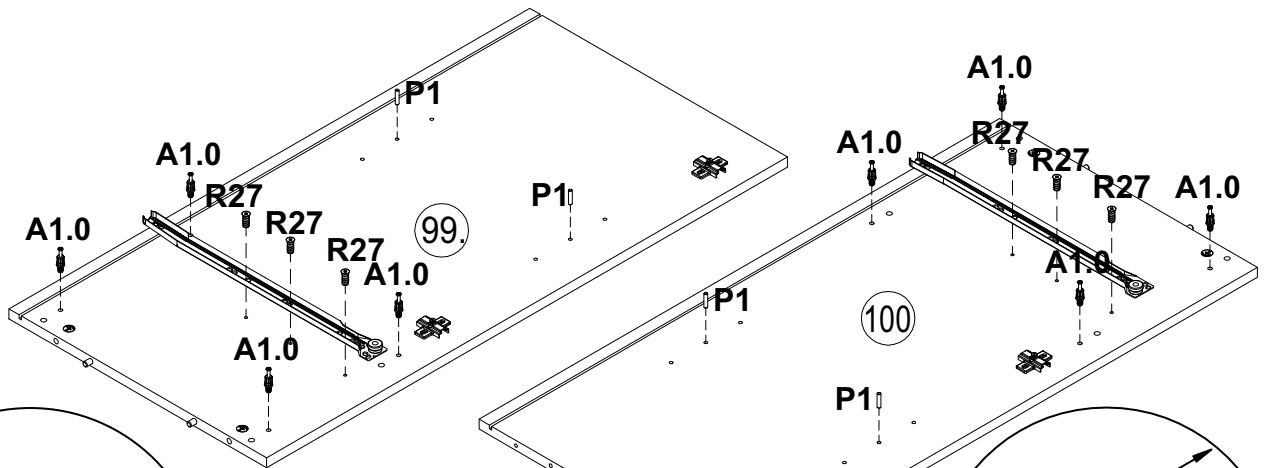
1

A2  Ø15x13	C1  8x35	D1  4	R23  6,3x13	8
--	--	---	---	----------



2

A1.0  5x28	P1  Ø5	R27  5,0x13	Z4  400	2
--	--	---	---	----------



3 x2

A2



Ø15x13

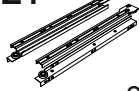
8

R27



5,0x13

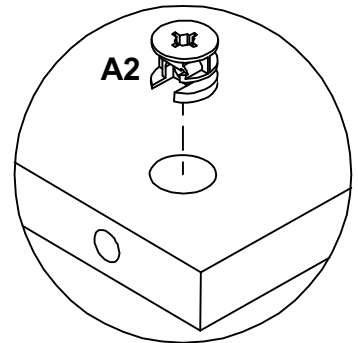
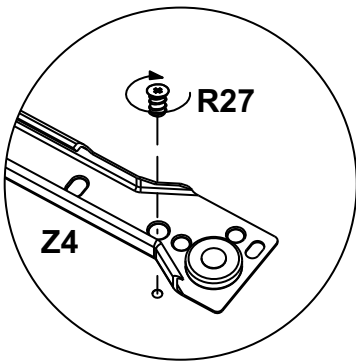
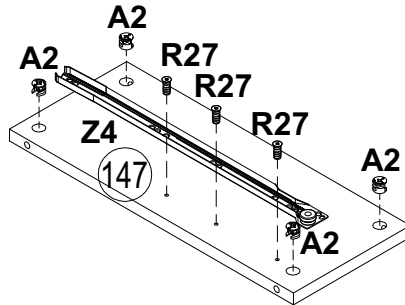
Z4



6

400

2



4

A2



Ø15x13

2

D1



2

P1



Ø5

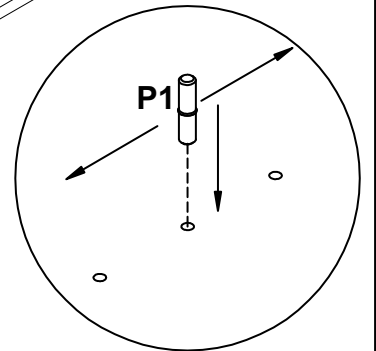
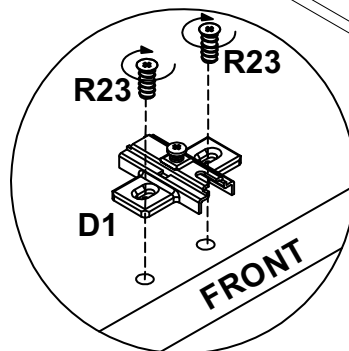
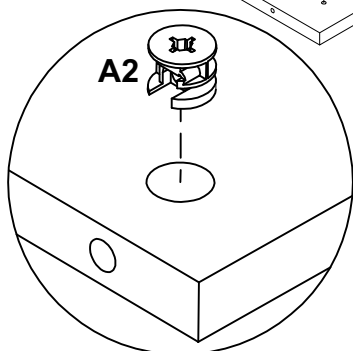
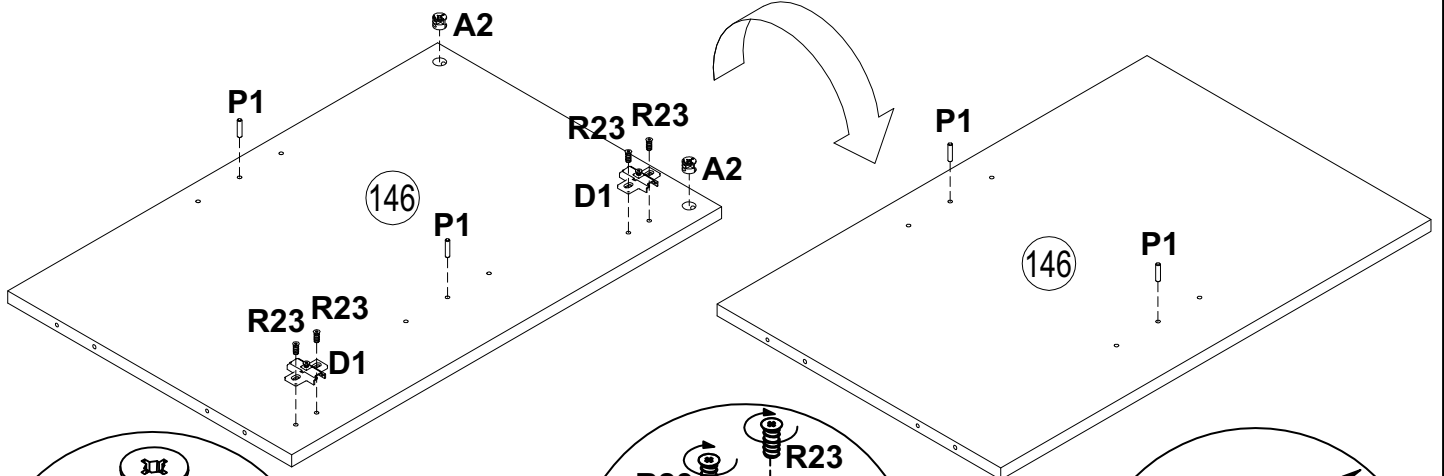
4

R23



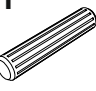


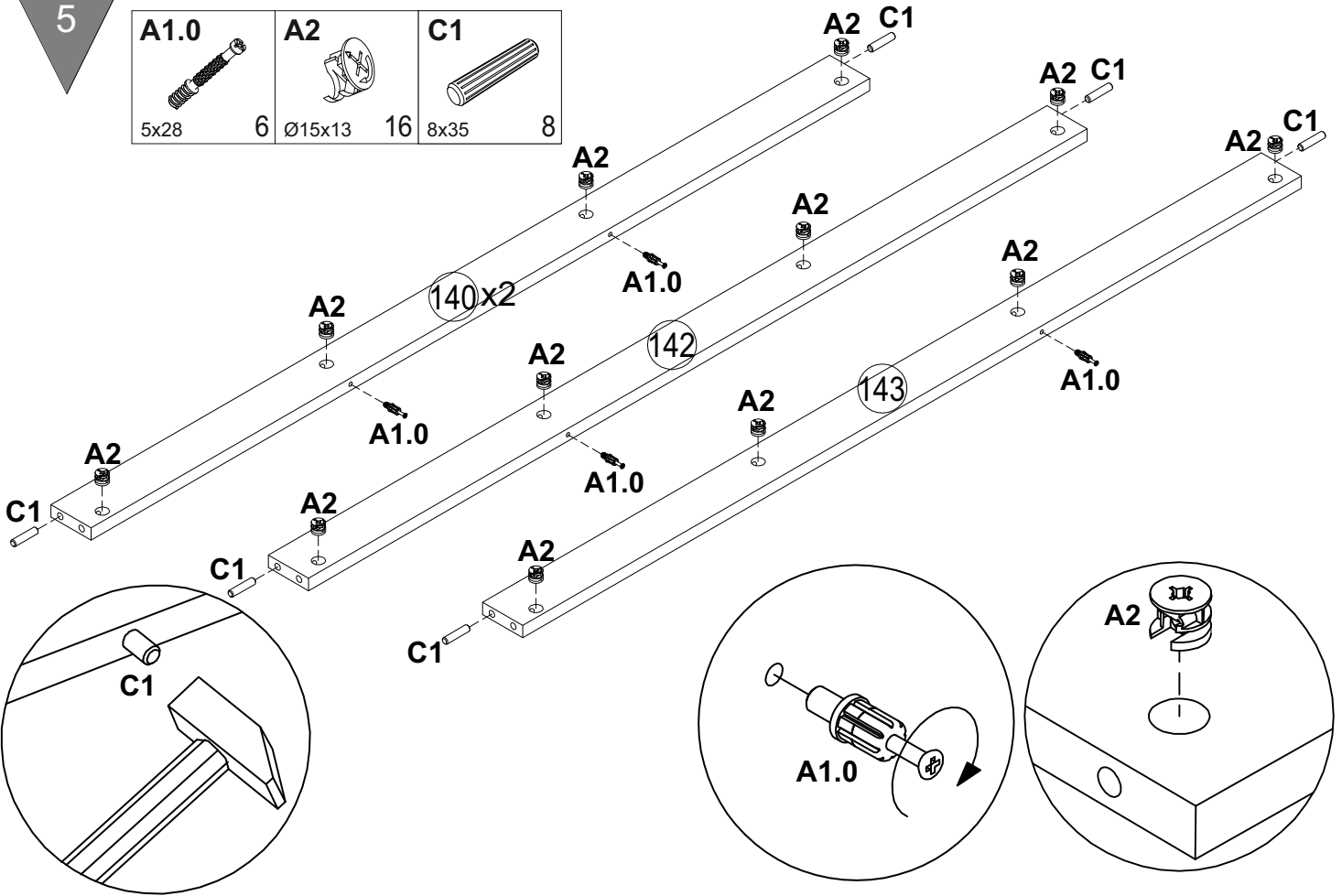
6,3x13

4

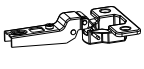
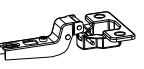
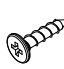


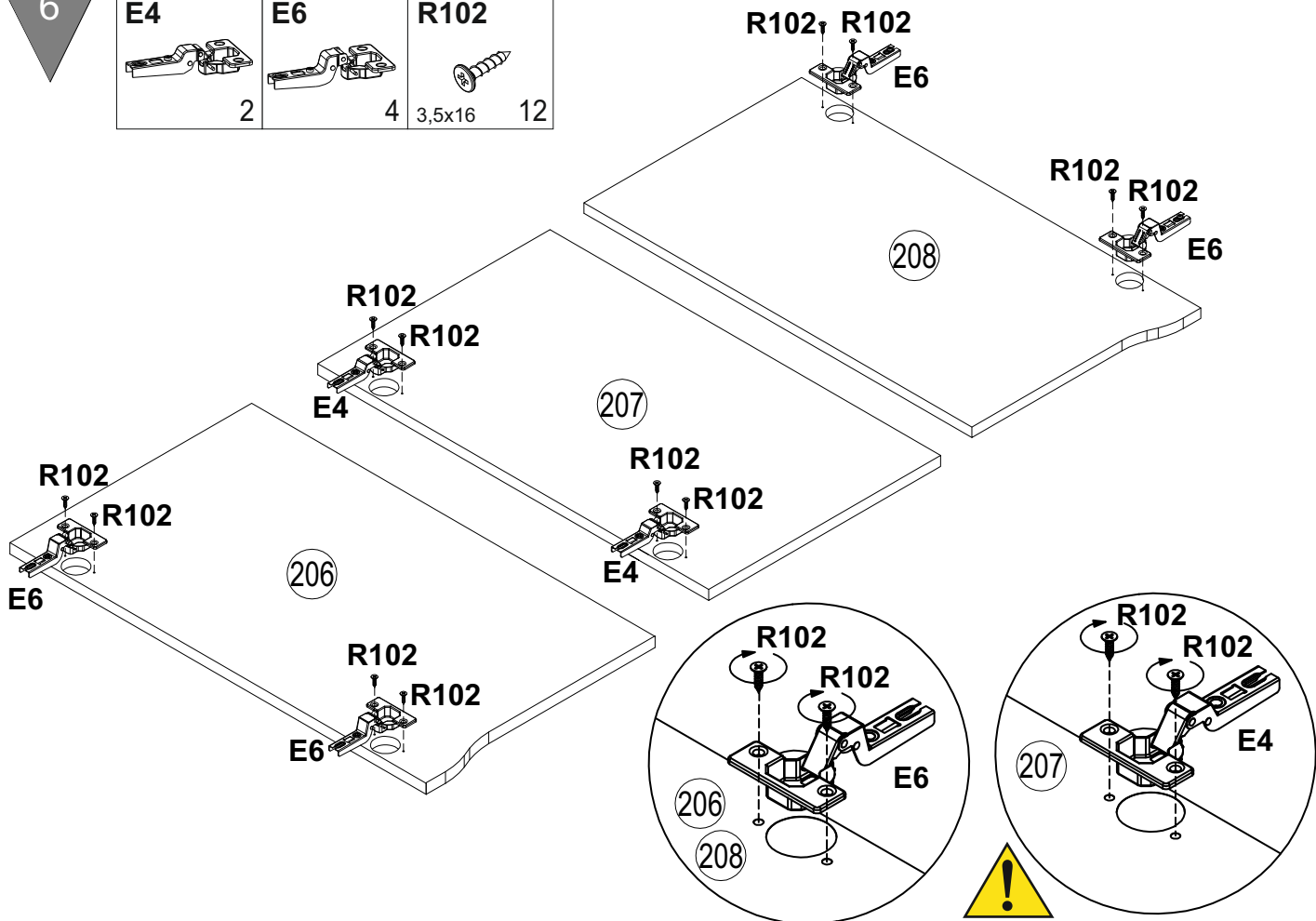
5

A1.0  5x28	A2  6 Ø15x13	C1  16 8x35	8
--	--	---	---



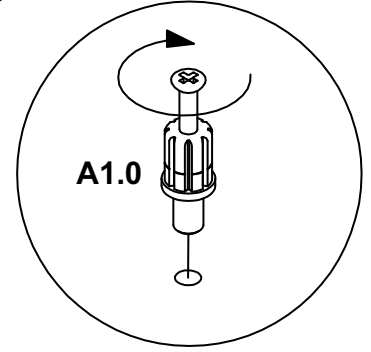
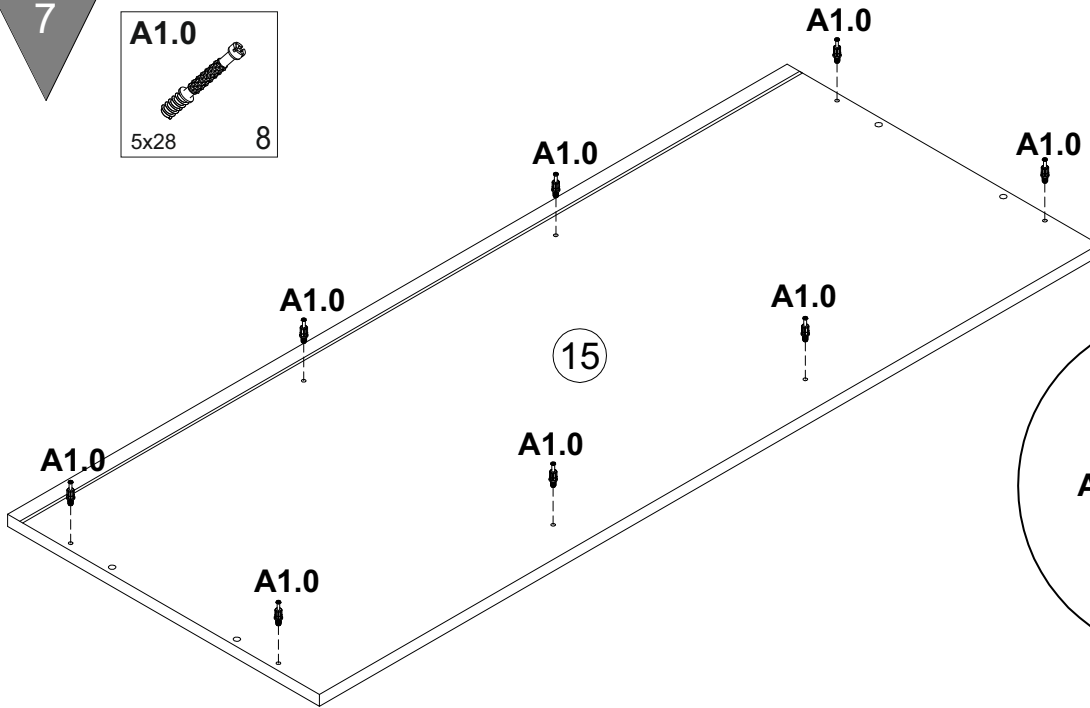
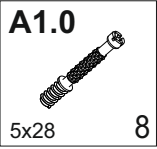
6

E4  2	E6  4	R102  3,5x16	12
---	---	--	----

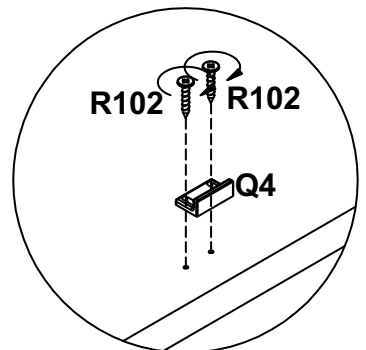
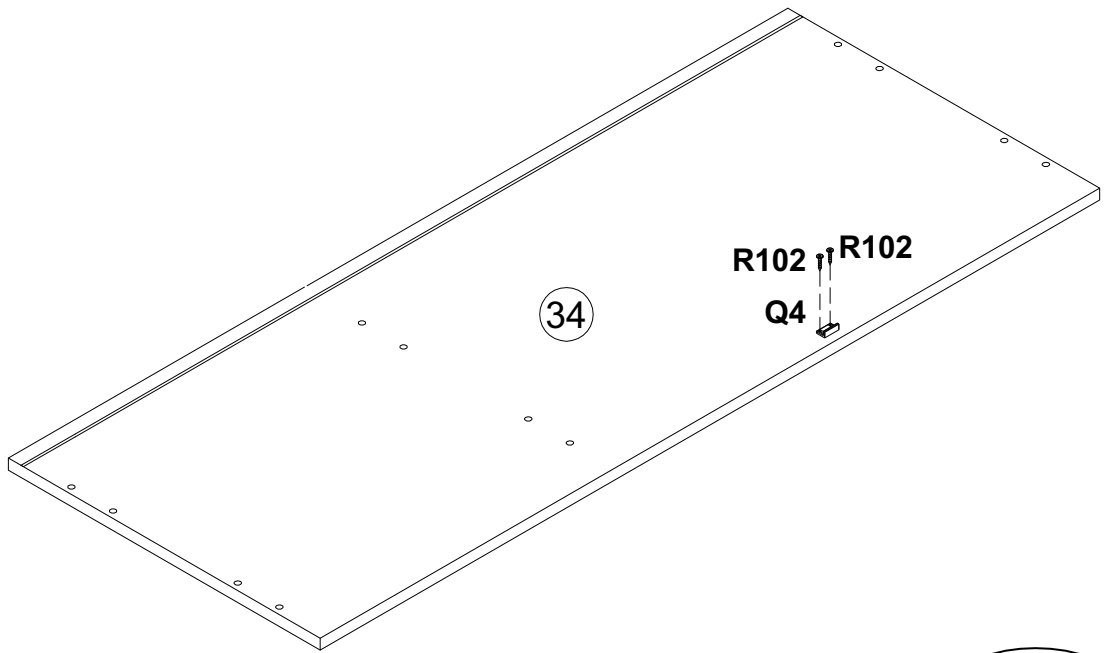
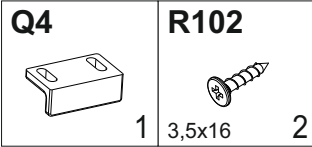


7

7



8



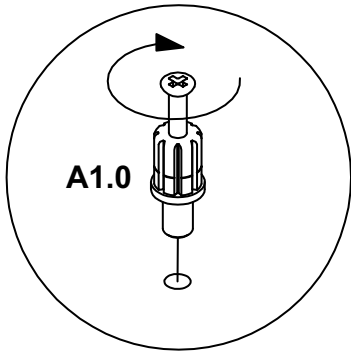
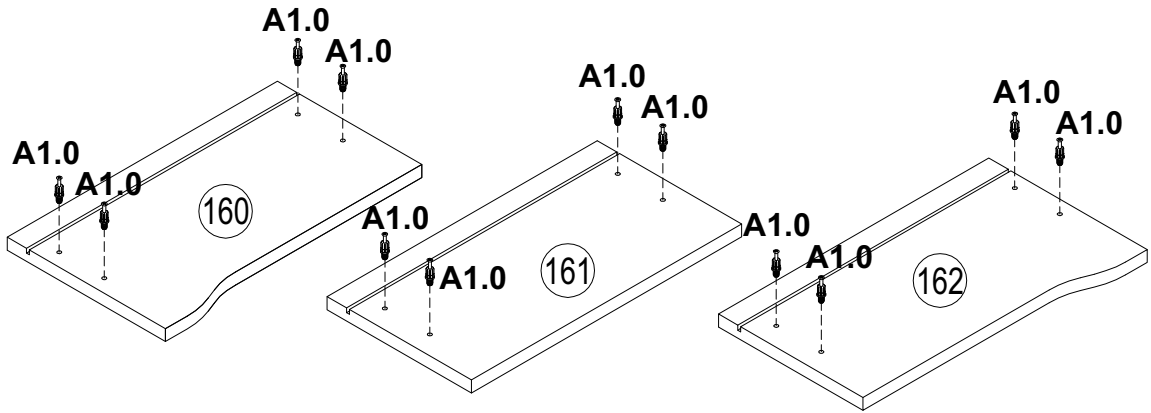
9

A1.0



5x28

12



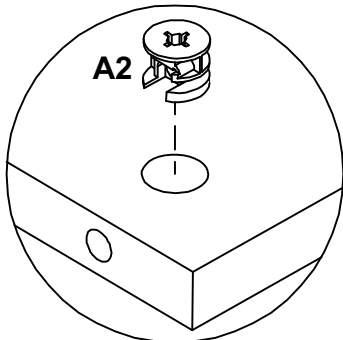
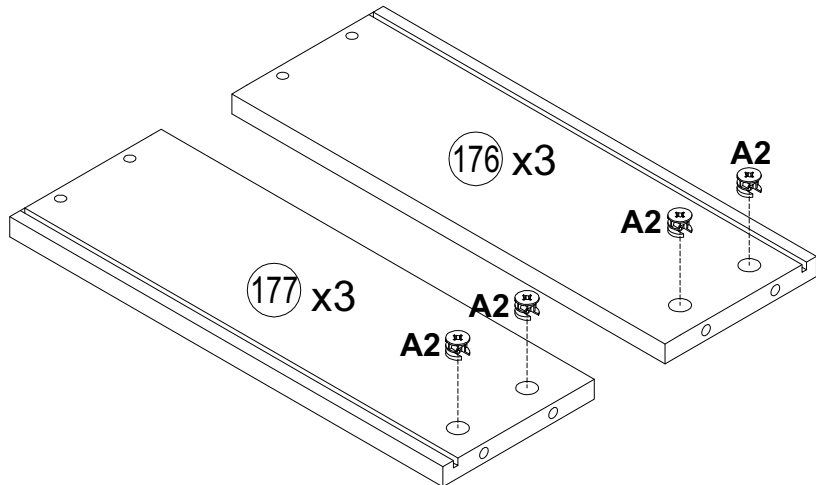
10

A2

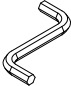
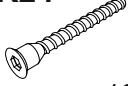


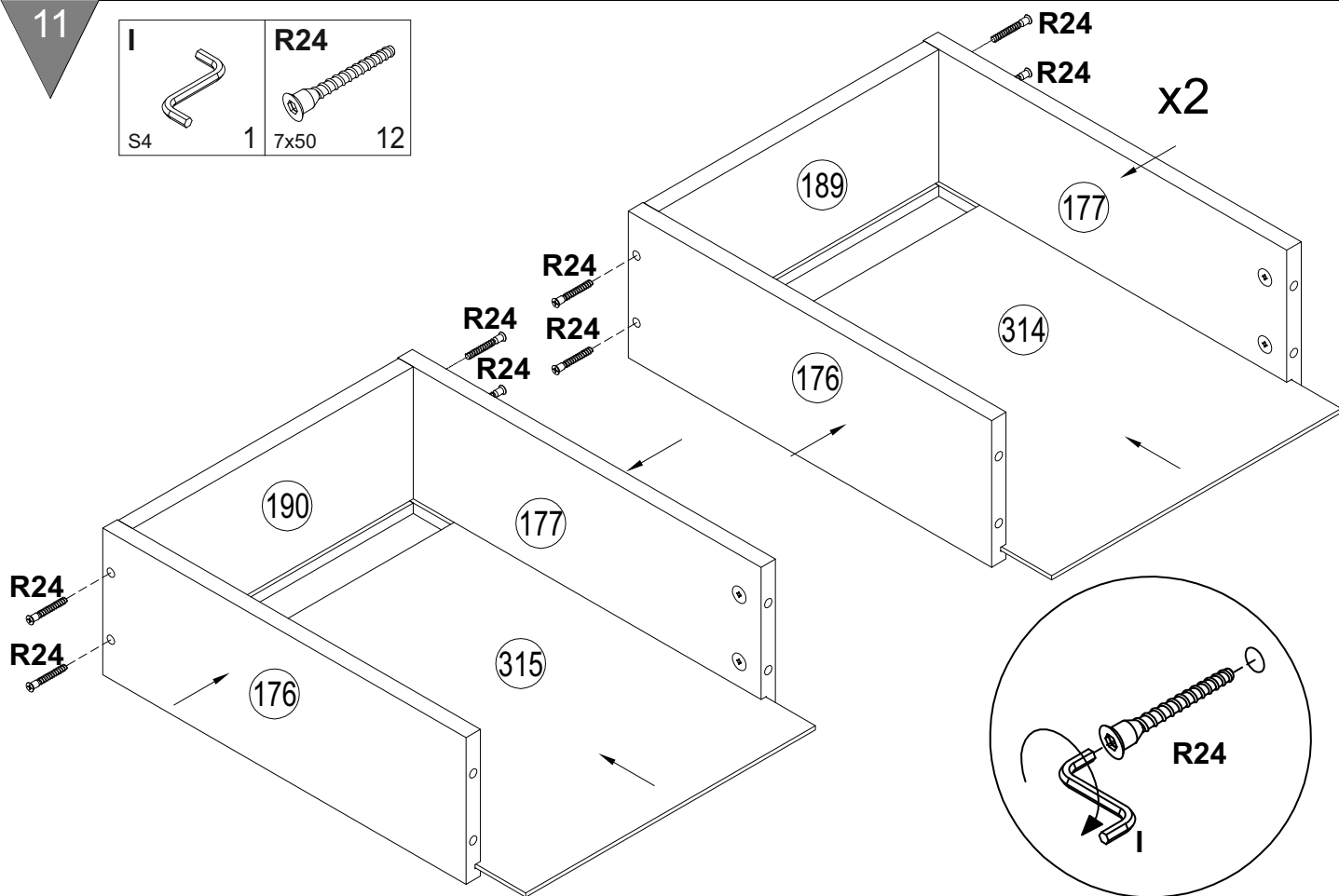
Ø15x13

12




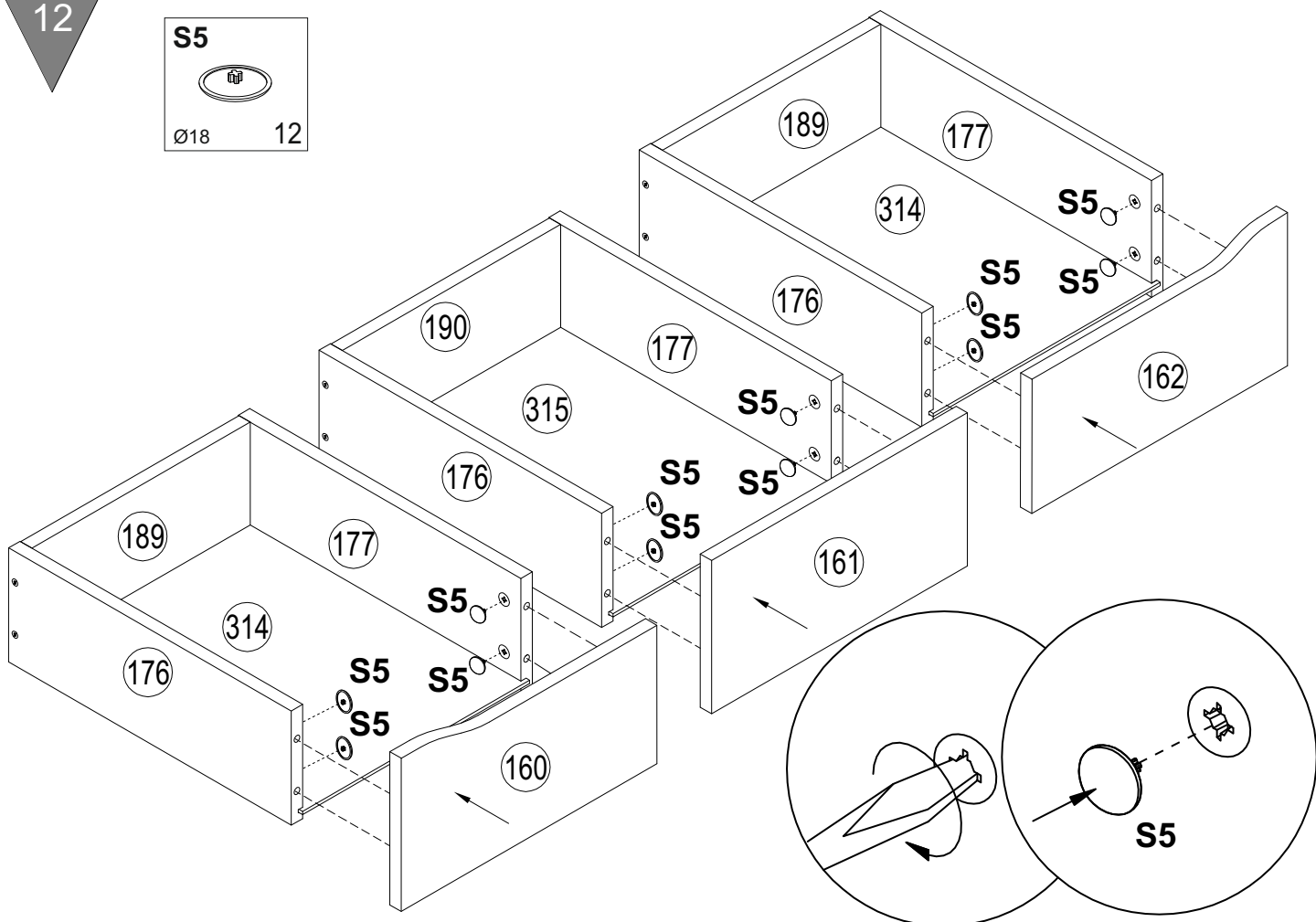
11

I	R24
	
S4	7x50
1	12


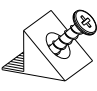


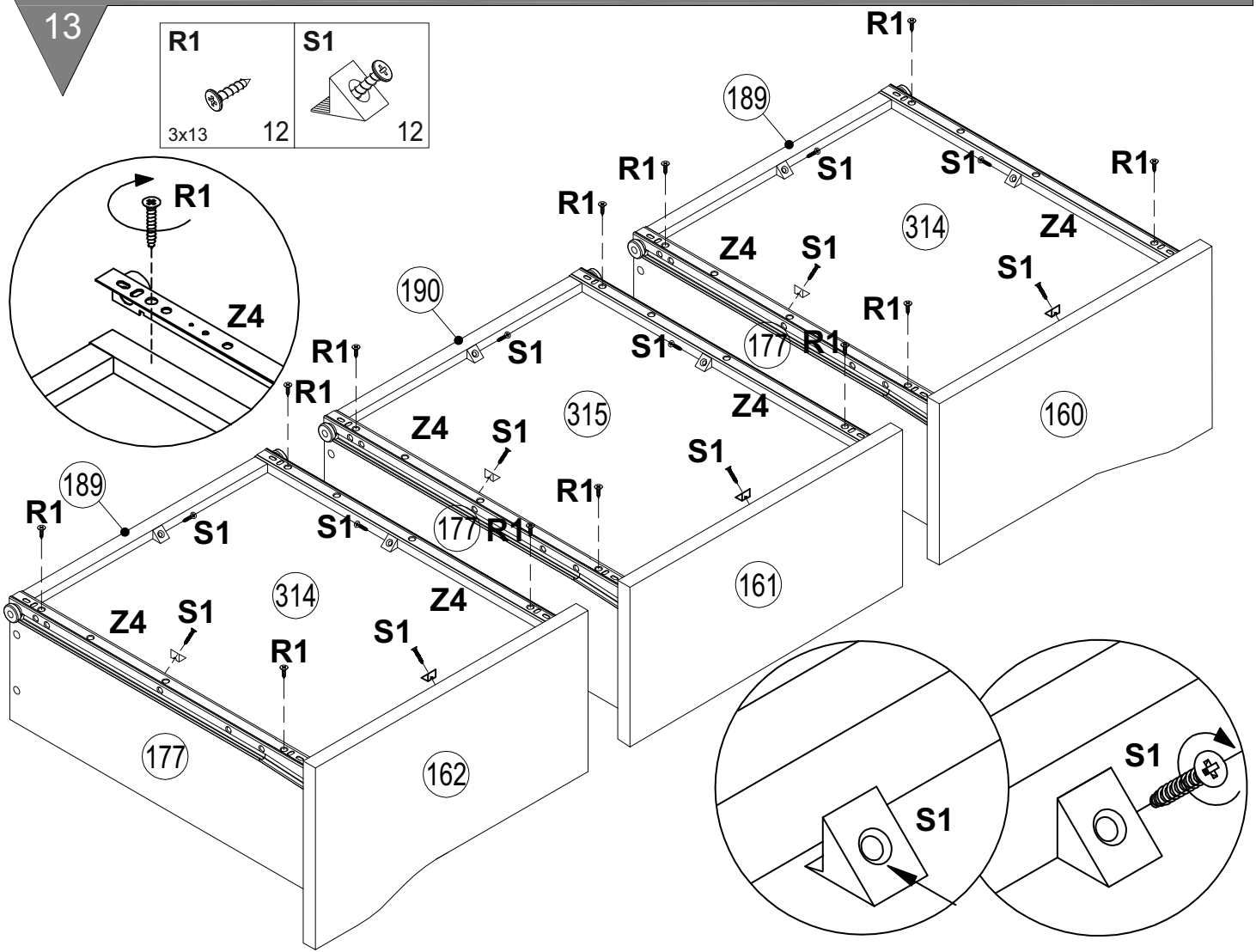
12

S5

Ø18
12

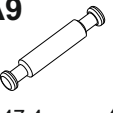


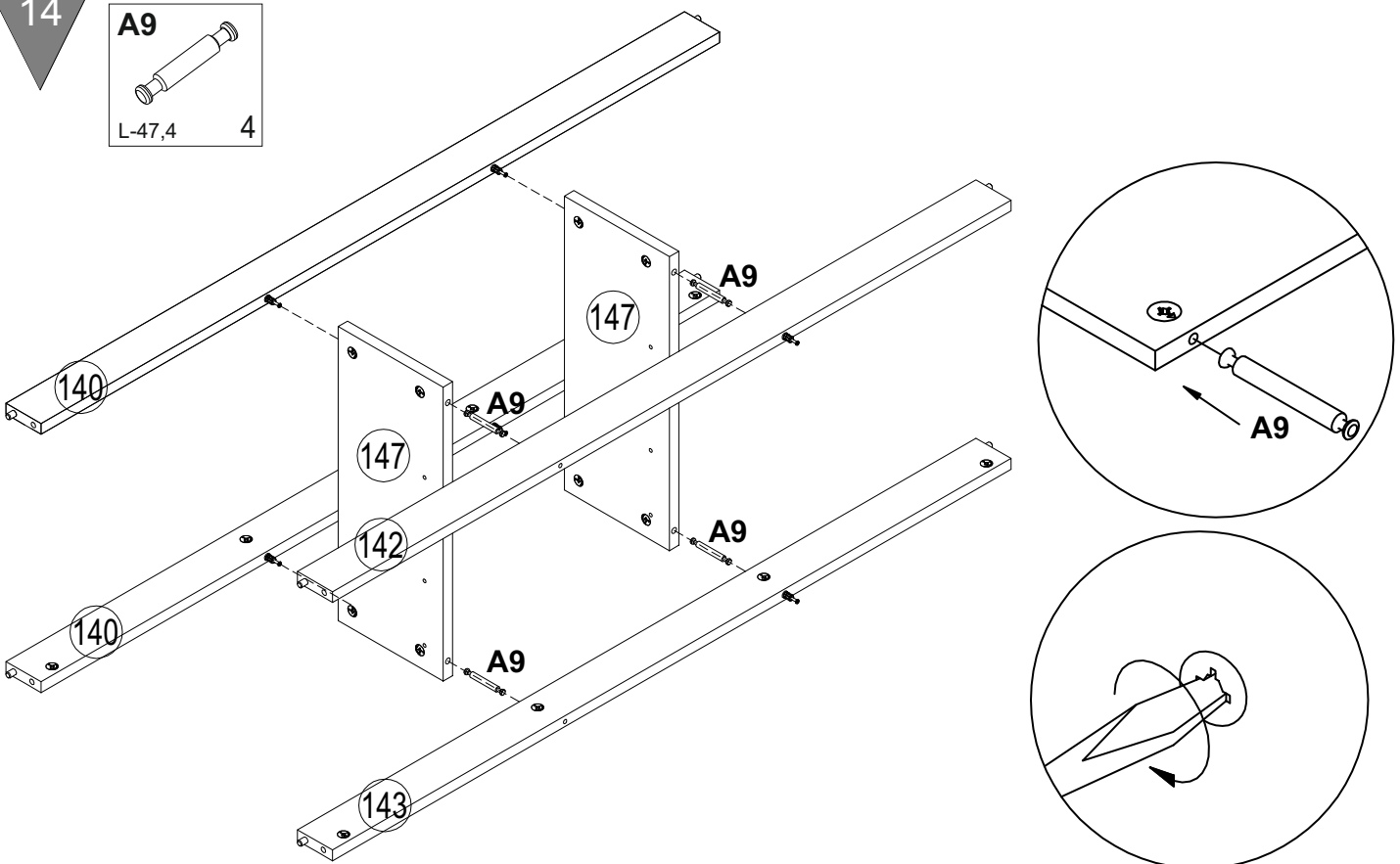
13

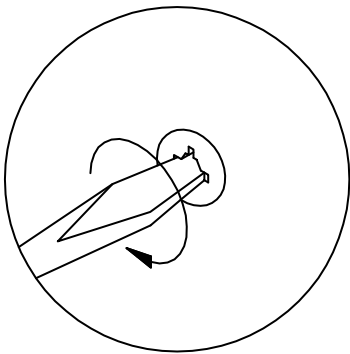
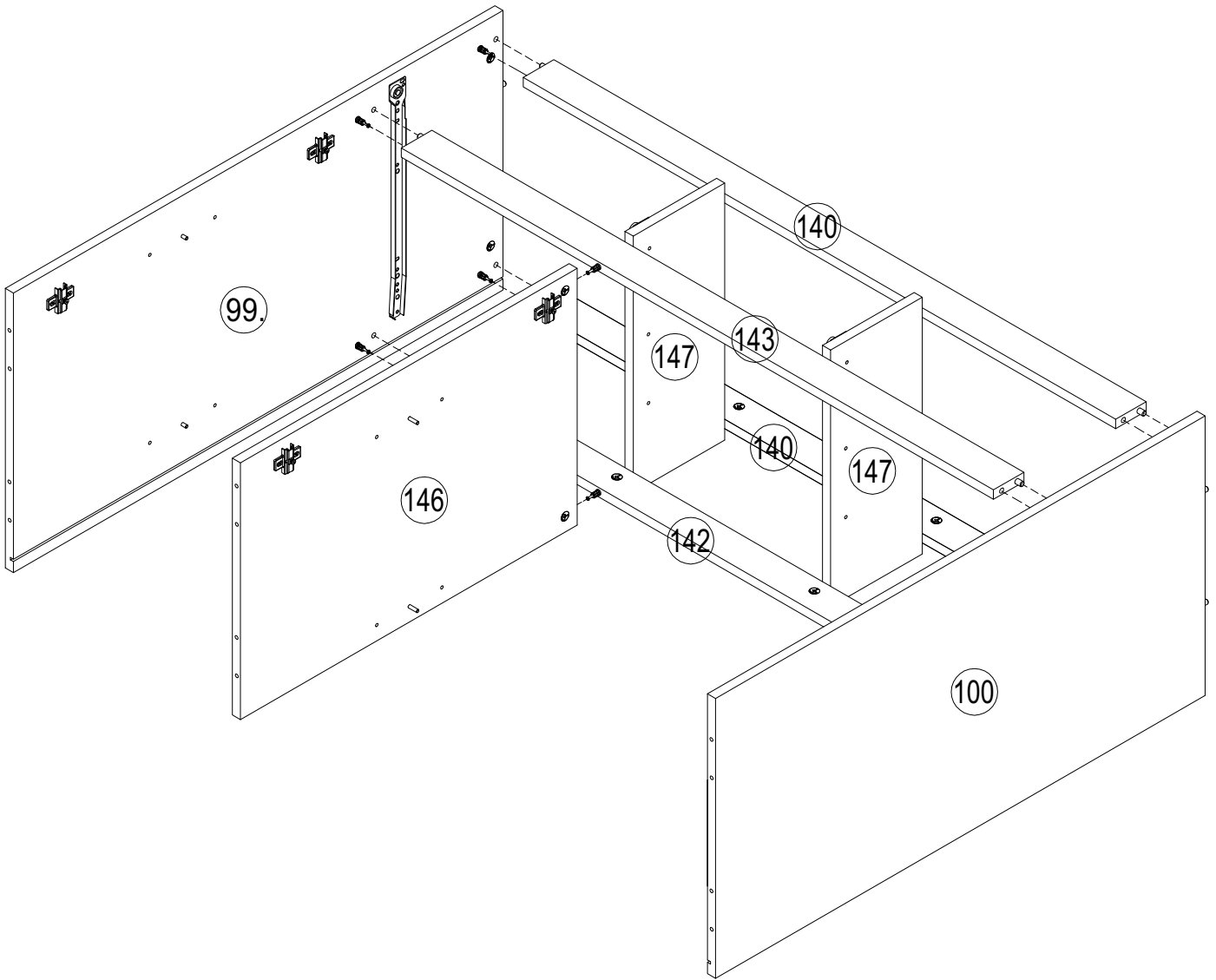
R1  3x13 12	S1  12
---	--



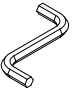
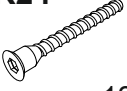
14

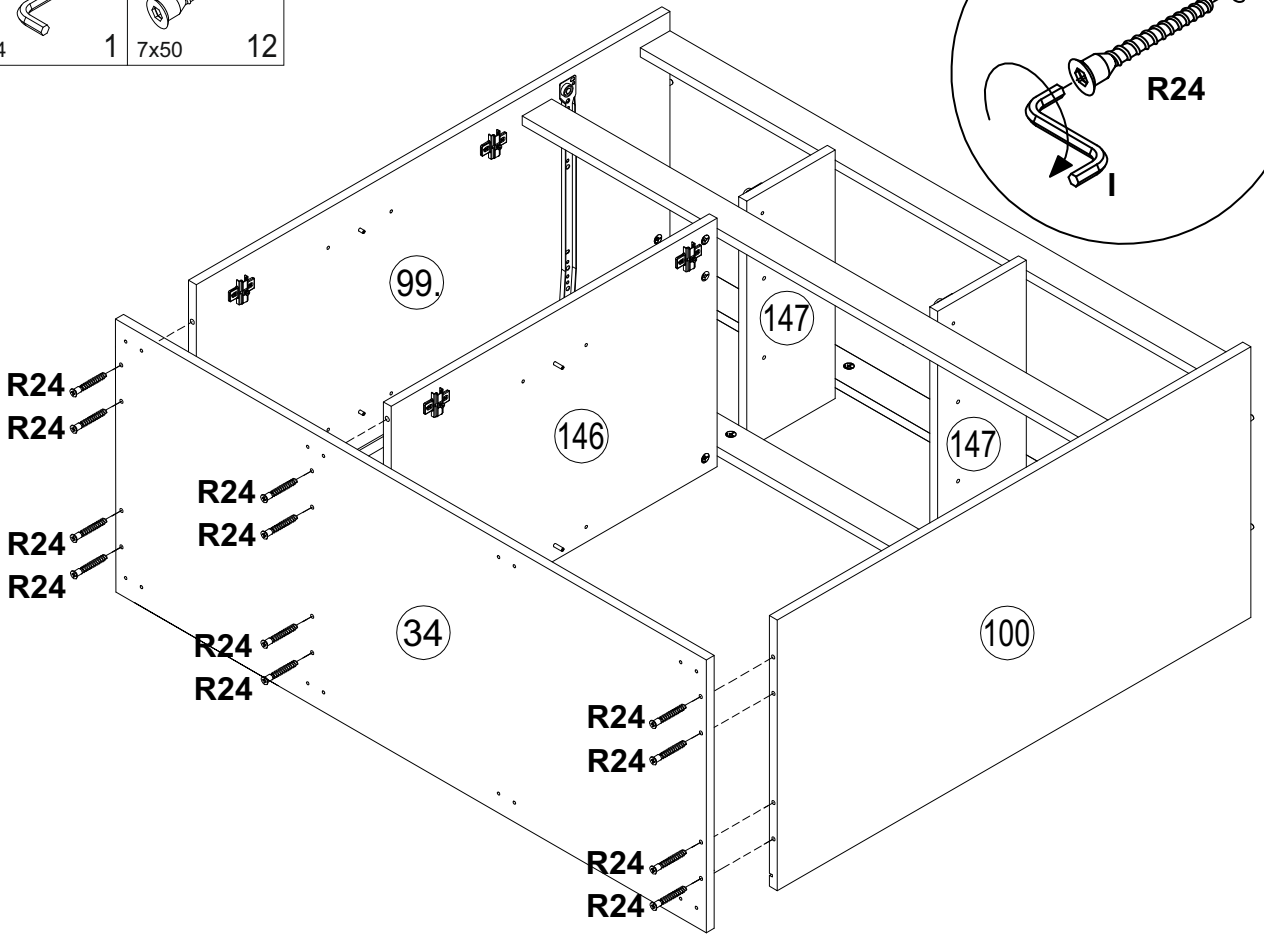
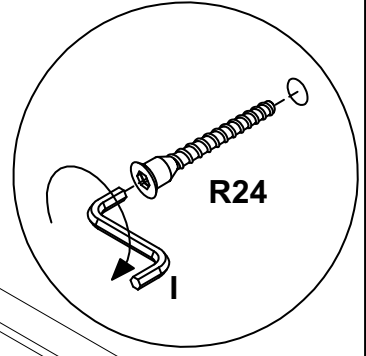
A9  L-47,4 4
--



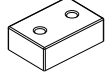



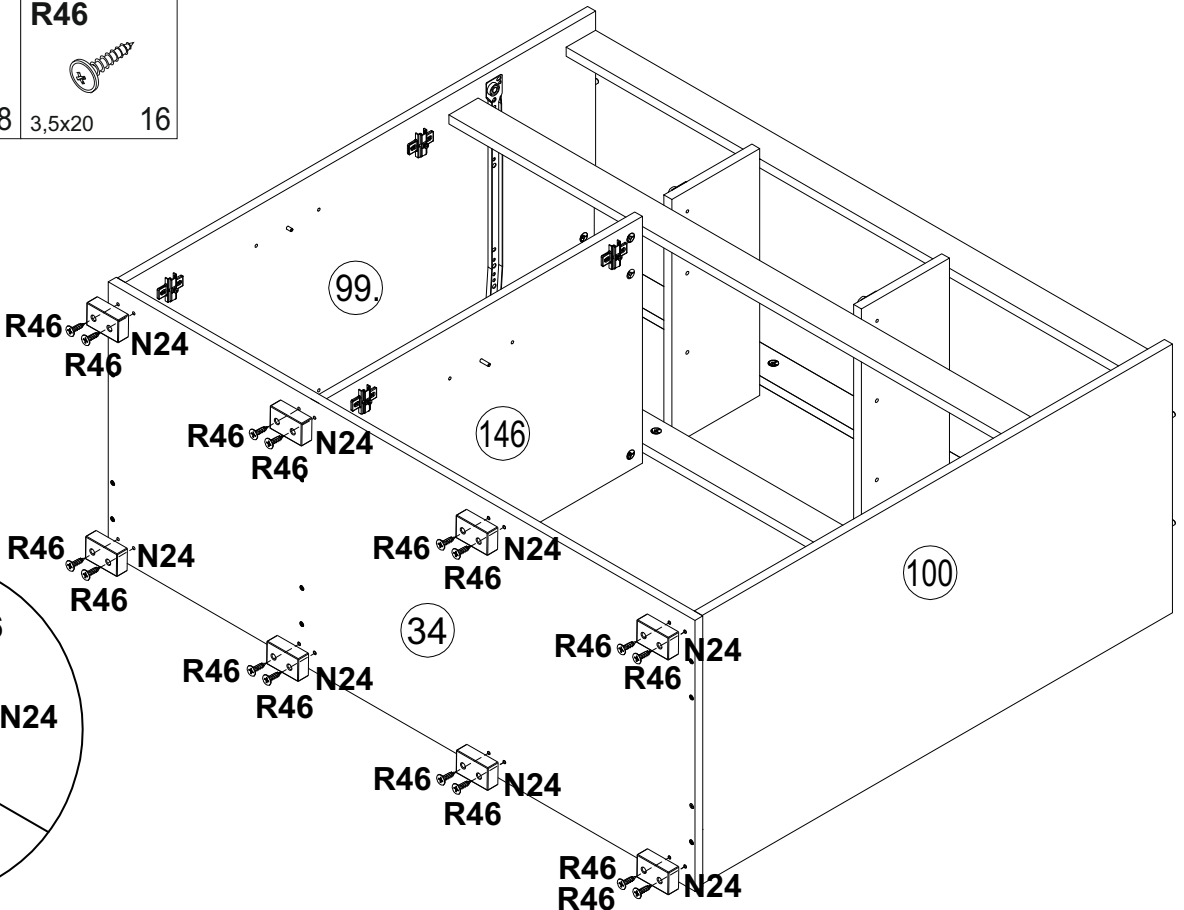
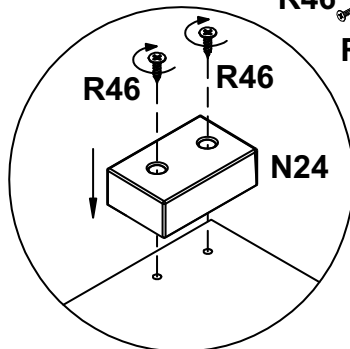
16


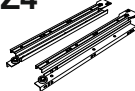
I	R24
	
S4	1 7x50 12

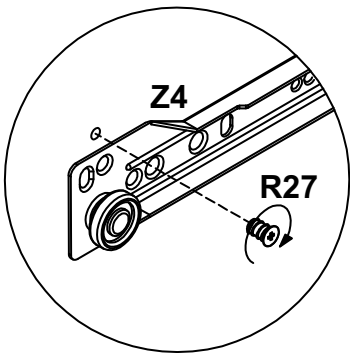
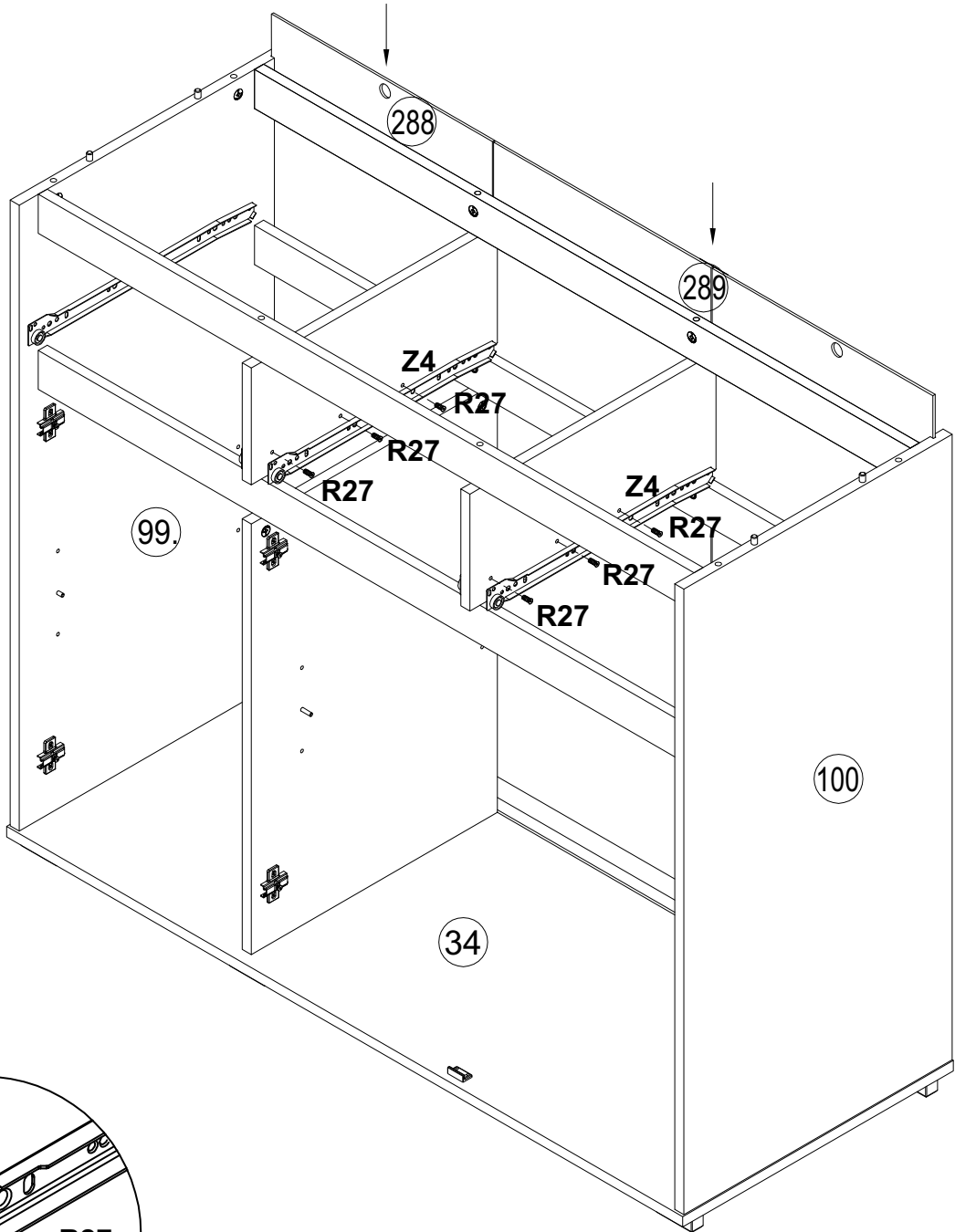


17

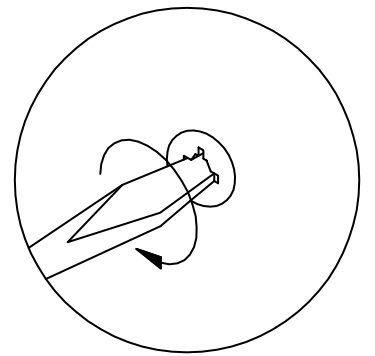
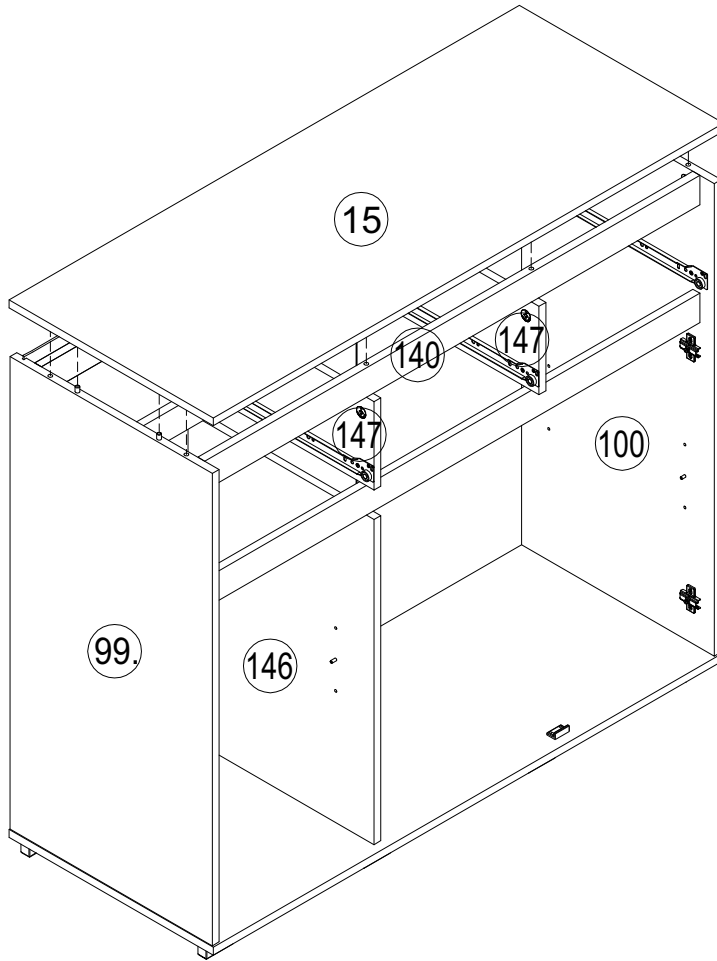
N24	R46
	
8	3,5x20 16




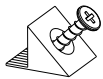

R27 	Z4 
5,0x13	6 400 2

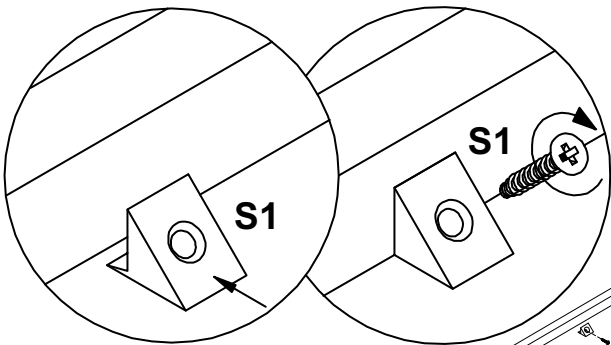


19

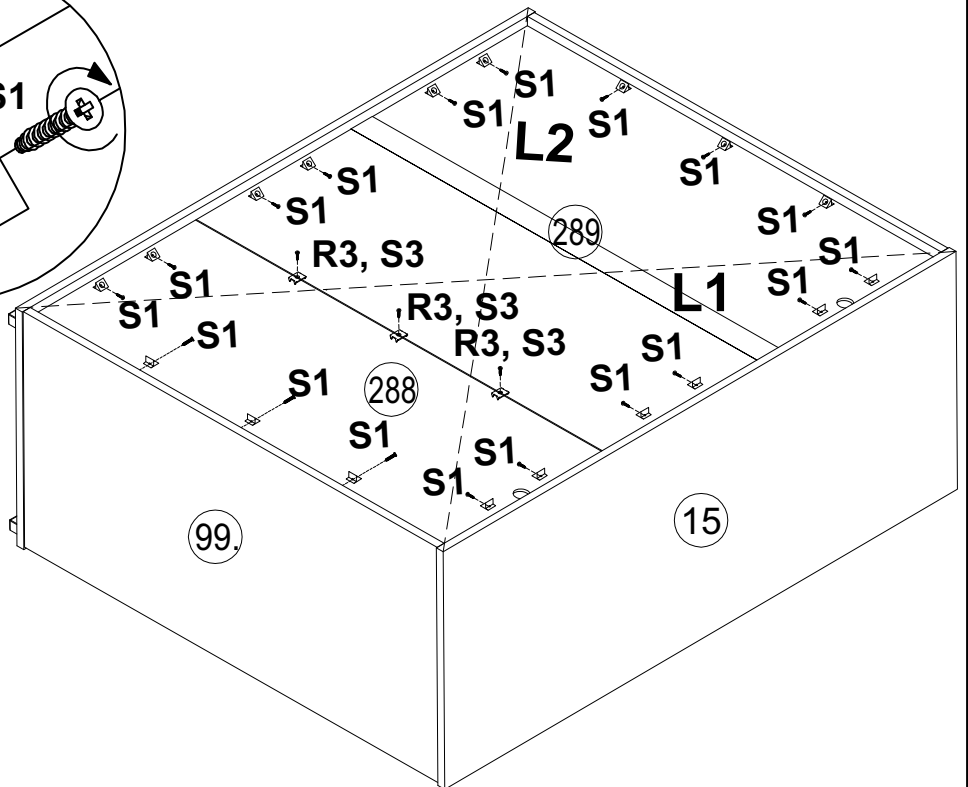
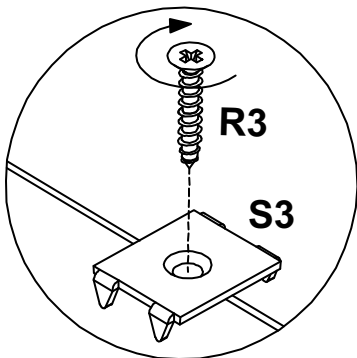


20

R3  3x20 3	S1  18	S3  3
---	--	---



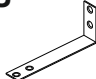


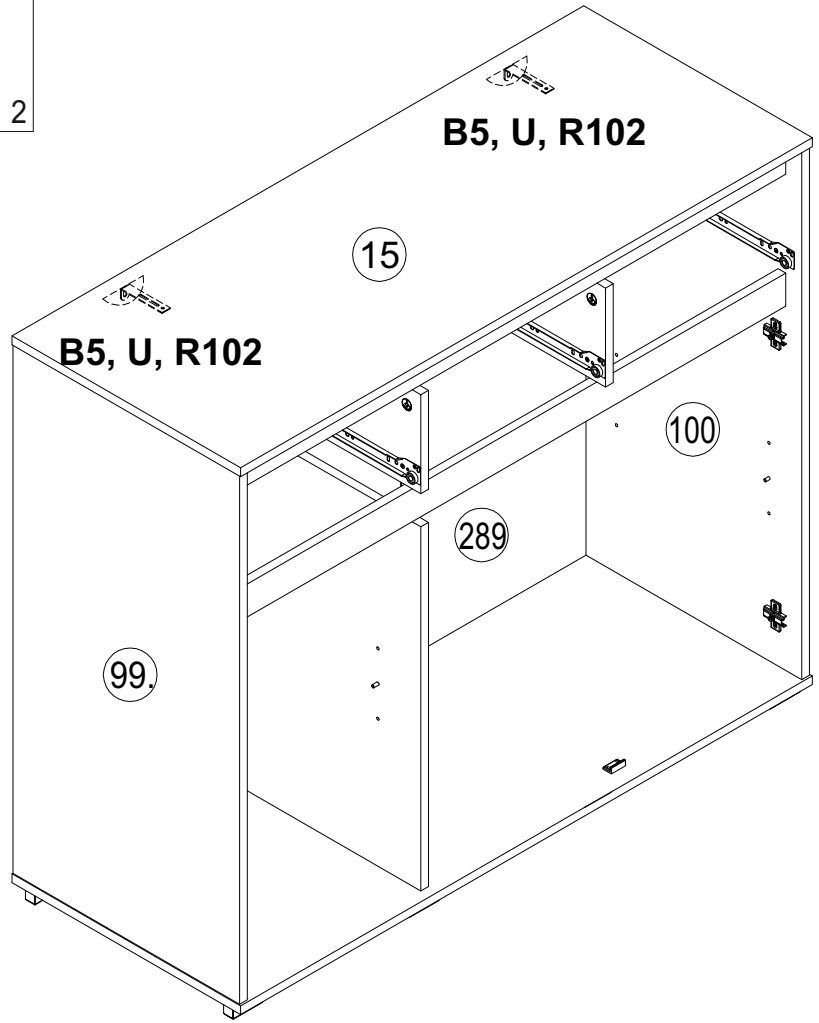
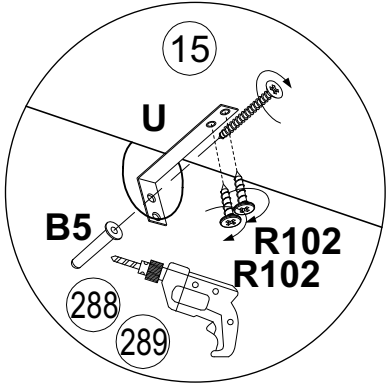
L1=L2



15

21

B5  10x50	R102  3,5x16	U  90x35x15
2	4	2



22

