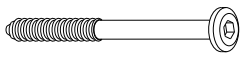
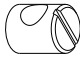

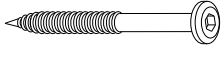
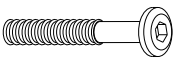
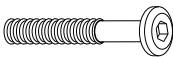
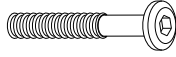




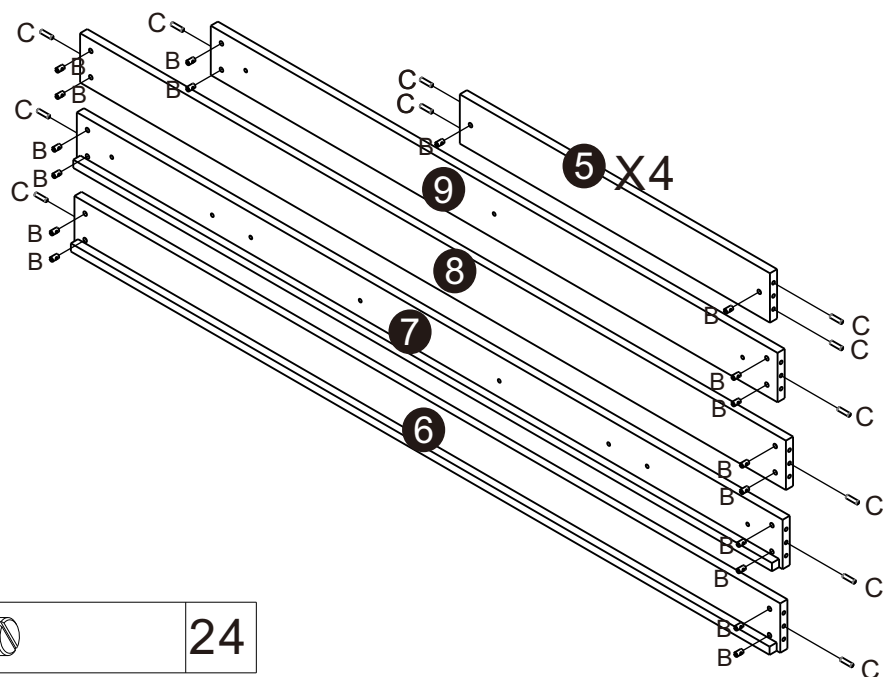
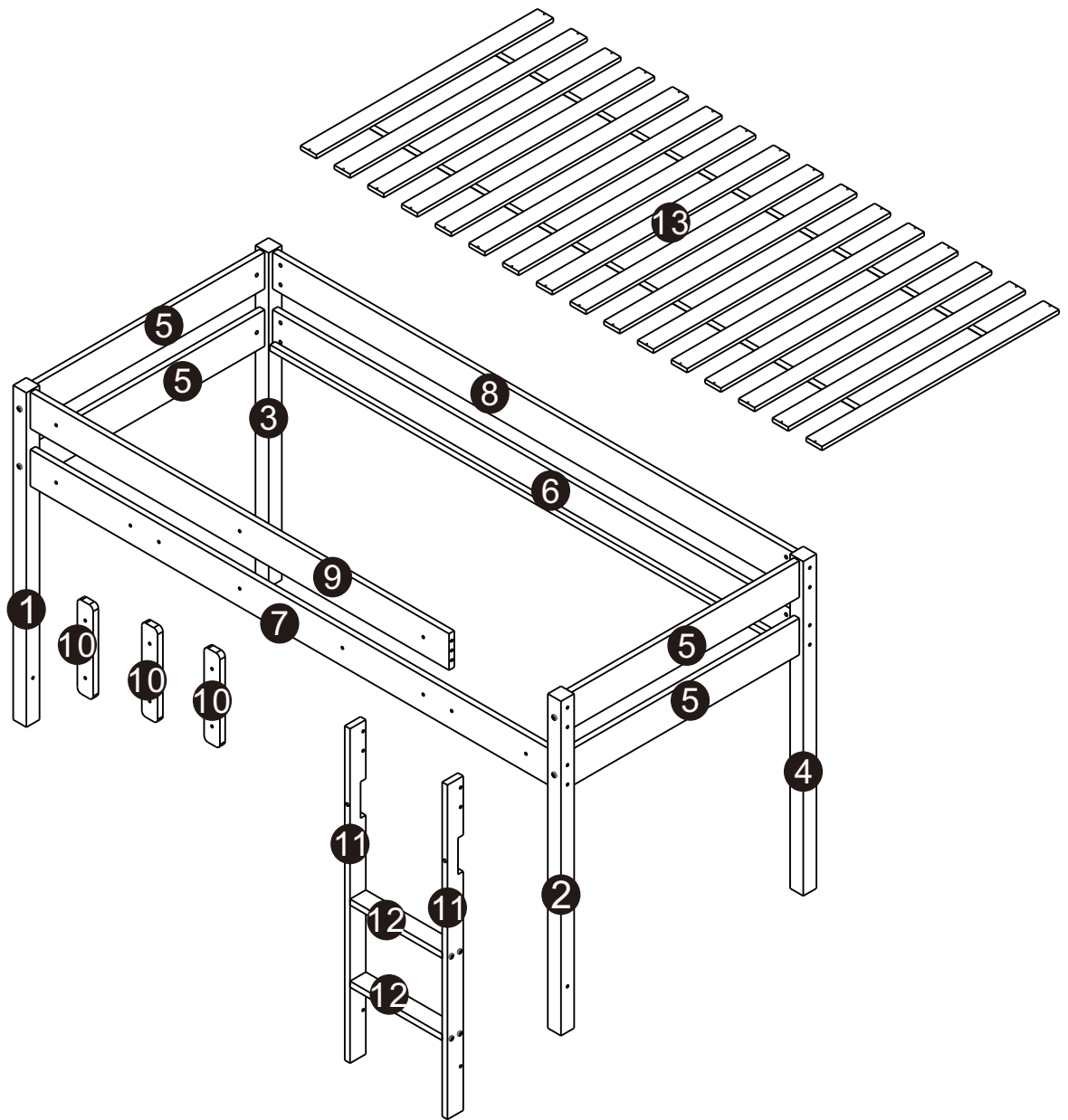
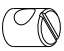

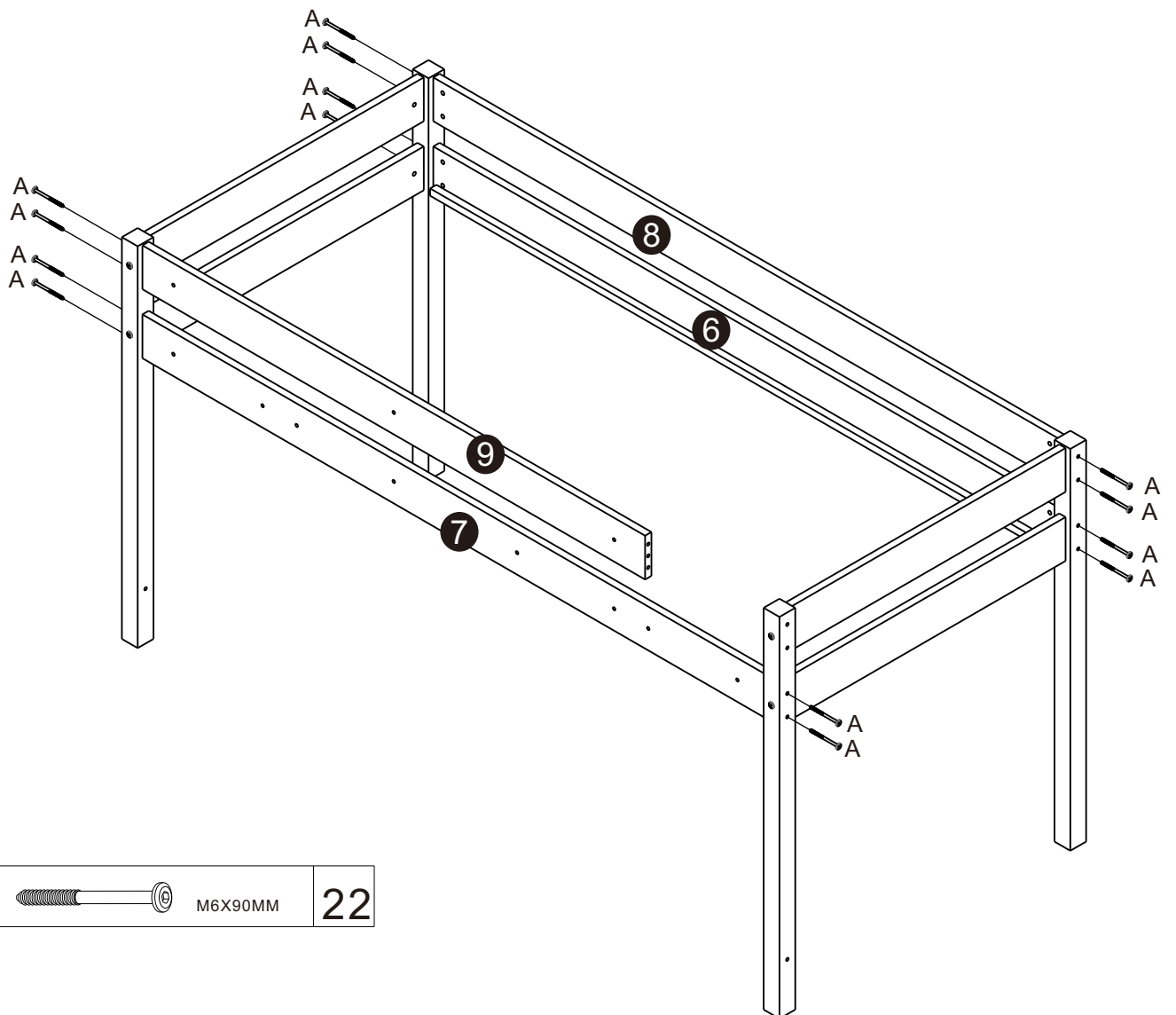
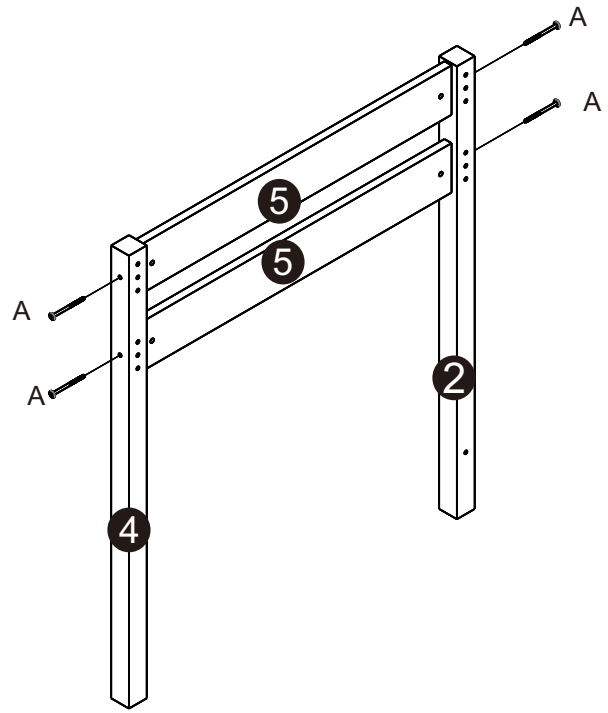
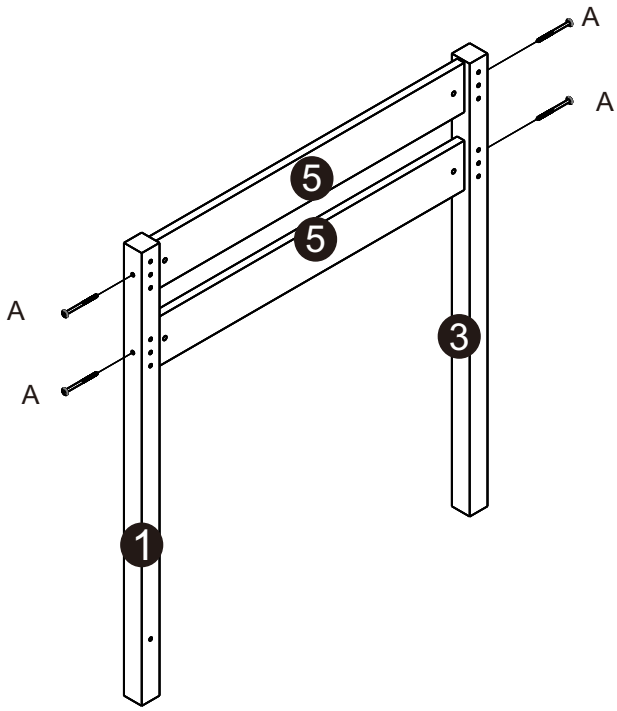


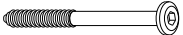
A		M6X90MM	22
B			24
C		φ 8X30MM	24
D		φ 6X70MM	8
E		M6X60MM	5
F		M6X50MM	1

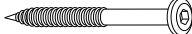
G		M6X30MM	6
H		φ 4X30MM	32
I		φ 8	4
J			10
K		4MM	1

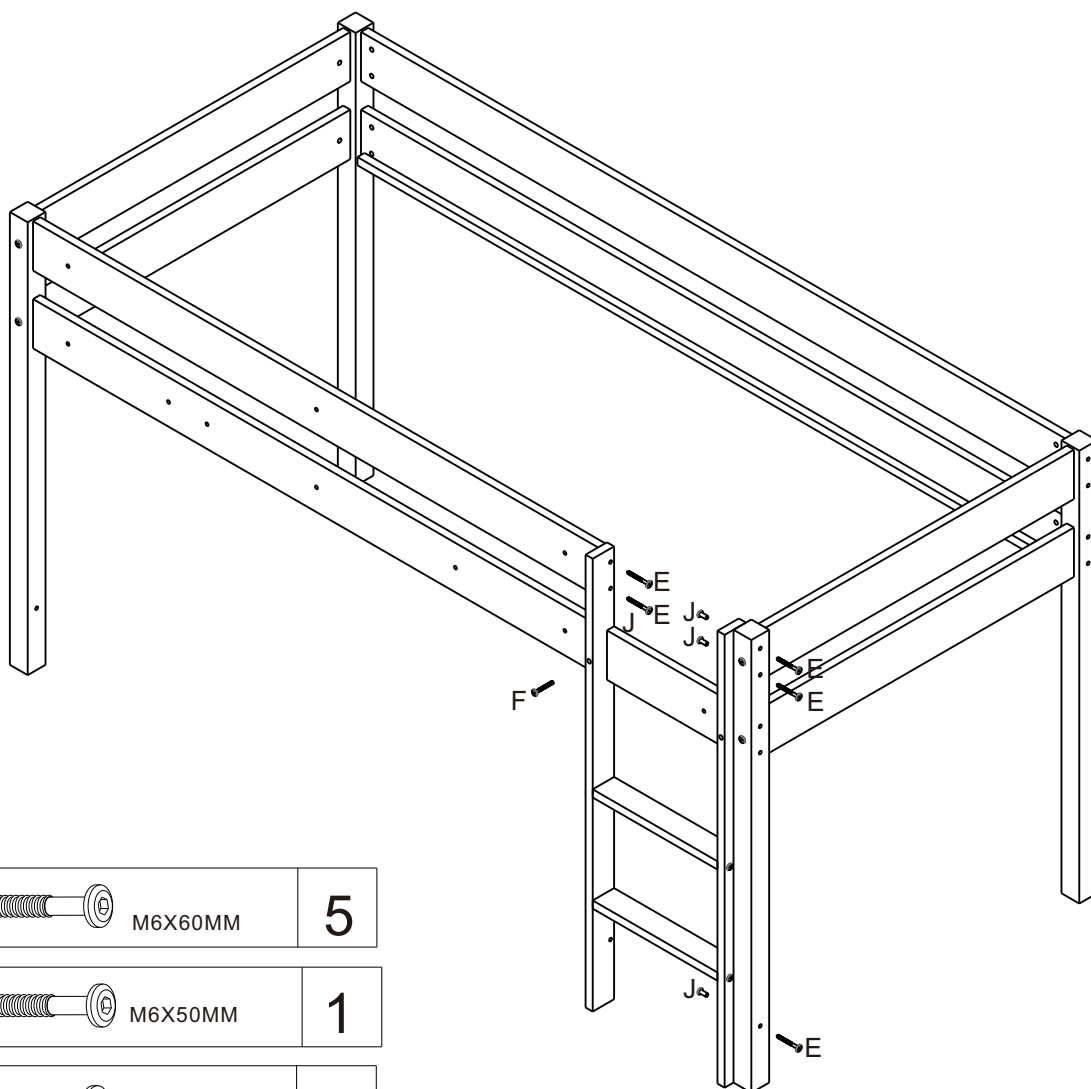
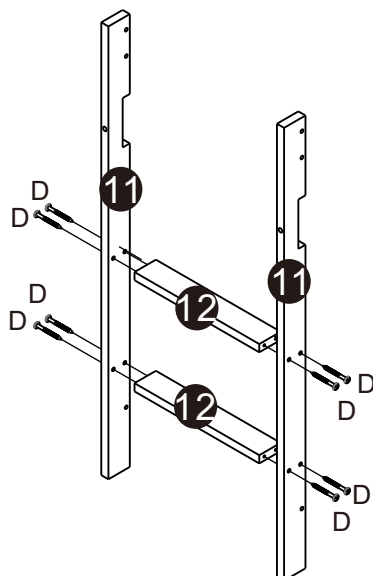


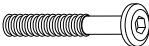
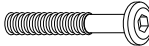
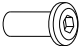
B		24
C	 $\phi 8 \times 30 \text{MM}$	24

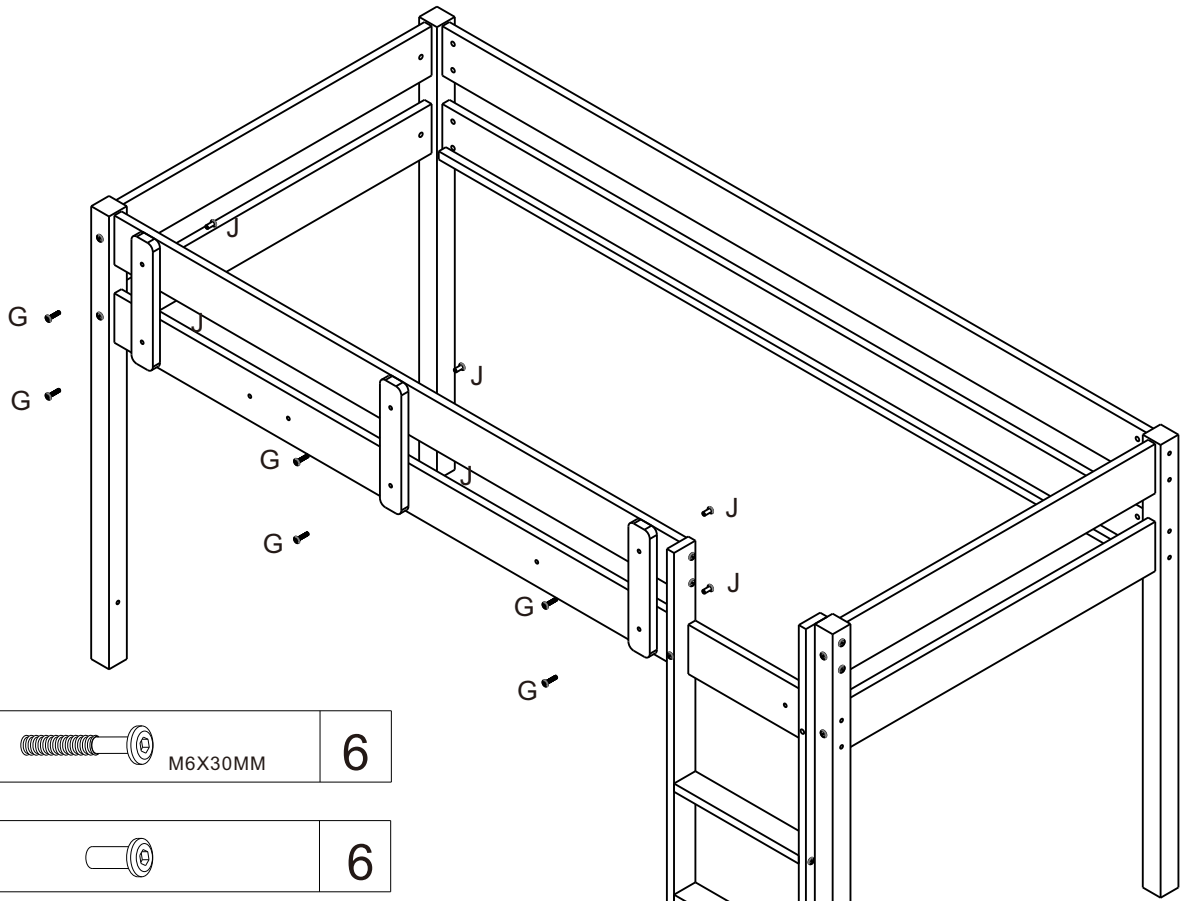


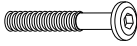
A	 M6X90MM	22
---	---	----

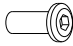
D	 φ6X70MM	8
---	---	---

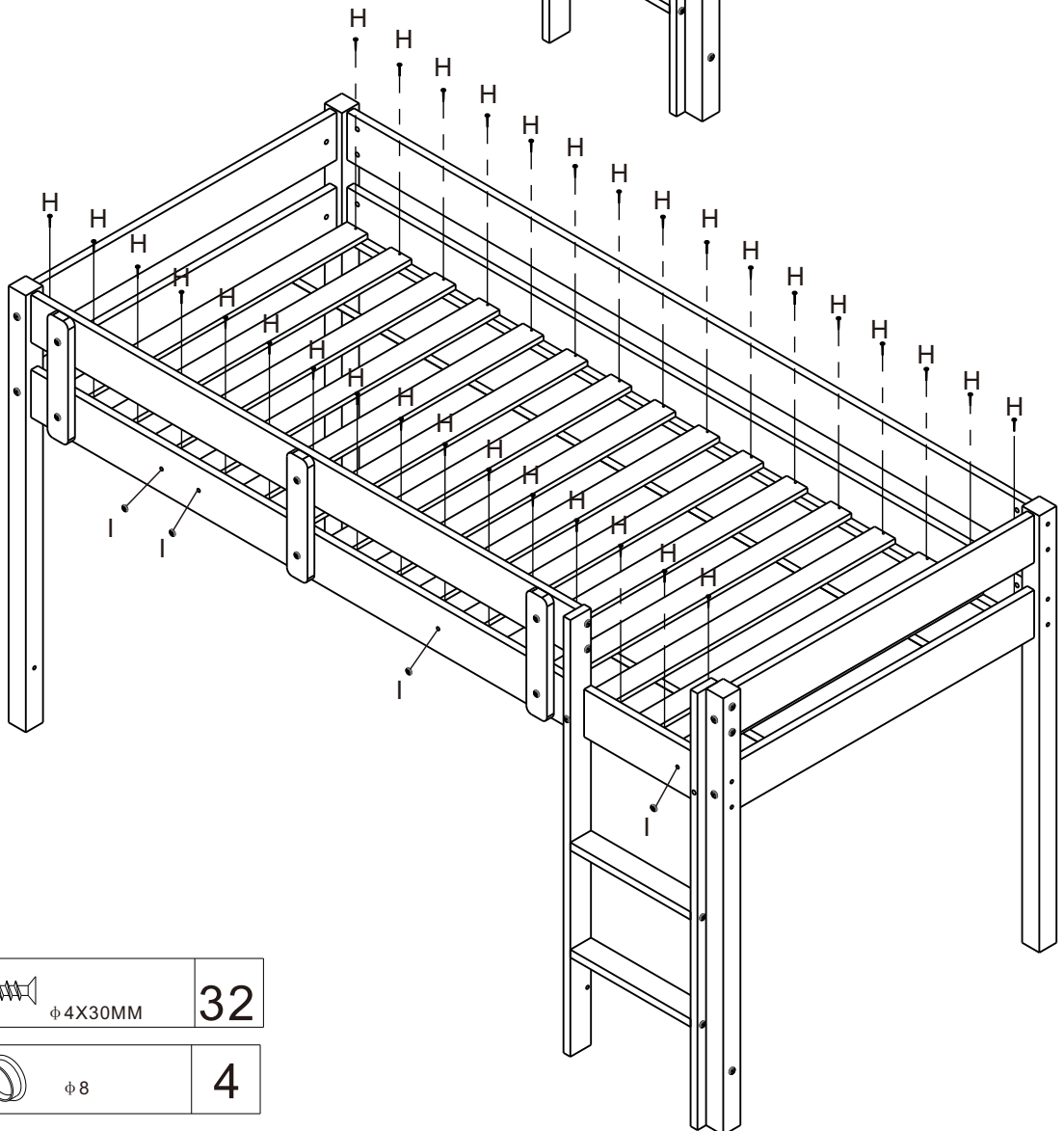


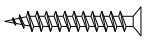
E	 M6X60MM	5
F	 M6X50MM	1
J		4




G	 M6X30MM	6
----------	---	----------

J		6
----------	---	----------



H	 ϕ 4X30MM	32
----------	---	-----------

I	 ϕ 8	4
----------	--	----------