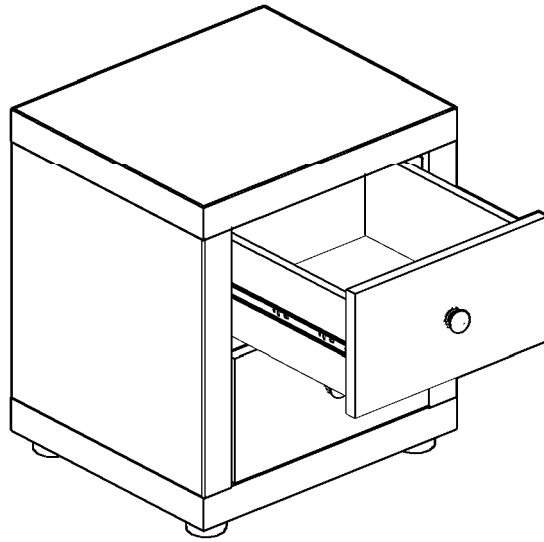
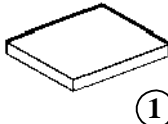
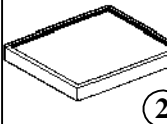
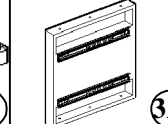
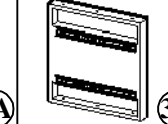
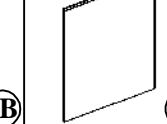
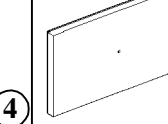
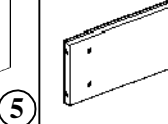
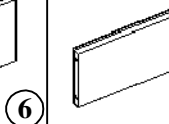
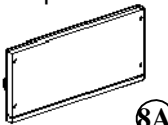
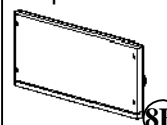
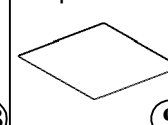
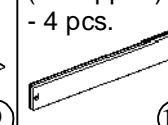


ASSEMBLY INSTRUCTIONS

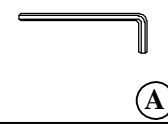

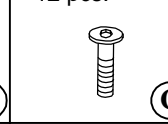

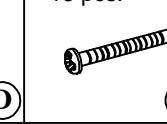
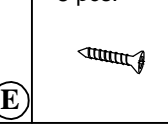
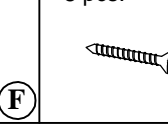
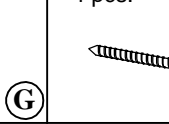


MODEL : NS-036-FS
ITEM CODE : 2512



COMPONENT

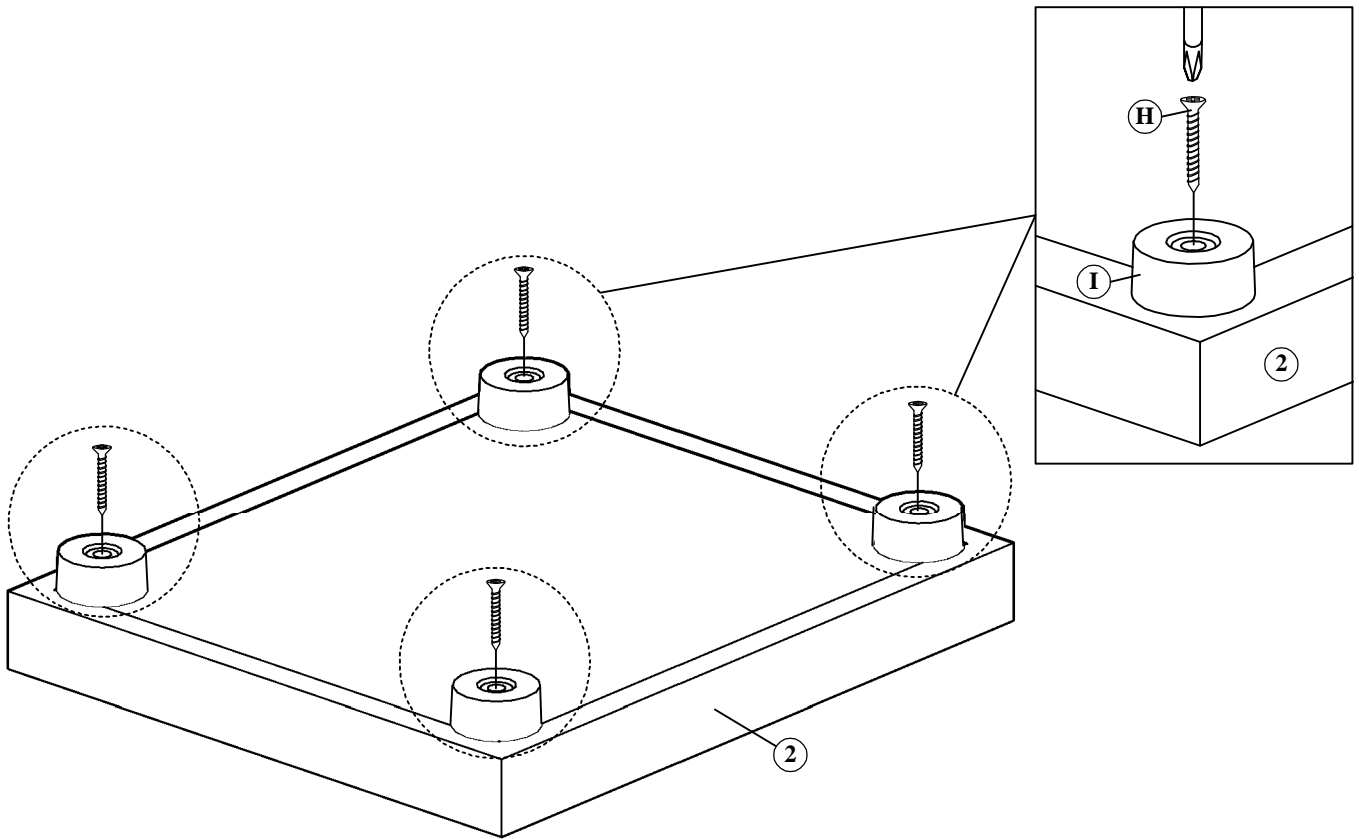
Top Board - 1 pc.  ①	Bottom Board - 1 pc.  ②	Side Board (L) - 1 pc.  ③A	Side Board (R) - 1 pc.  ③B	Plate - 1pc.  ④	Drawer Head - 2 pcs.  ⑤	Drawer (Front) - 2 pcs.  ⑥	Drawer (Back) - 2 pcs.  ⑦		
Drawer (Left) - 2 pcs.  ⑧A	Drawer (Right) - 2 pcs.  ⑧B	Drawer Plate - 2 pcs.  ⑨	Drawer (C.Support) - 4 pcs.  ⑩						

HARDWARE

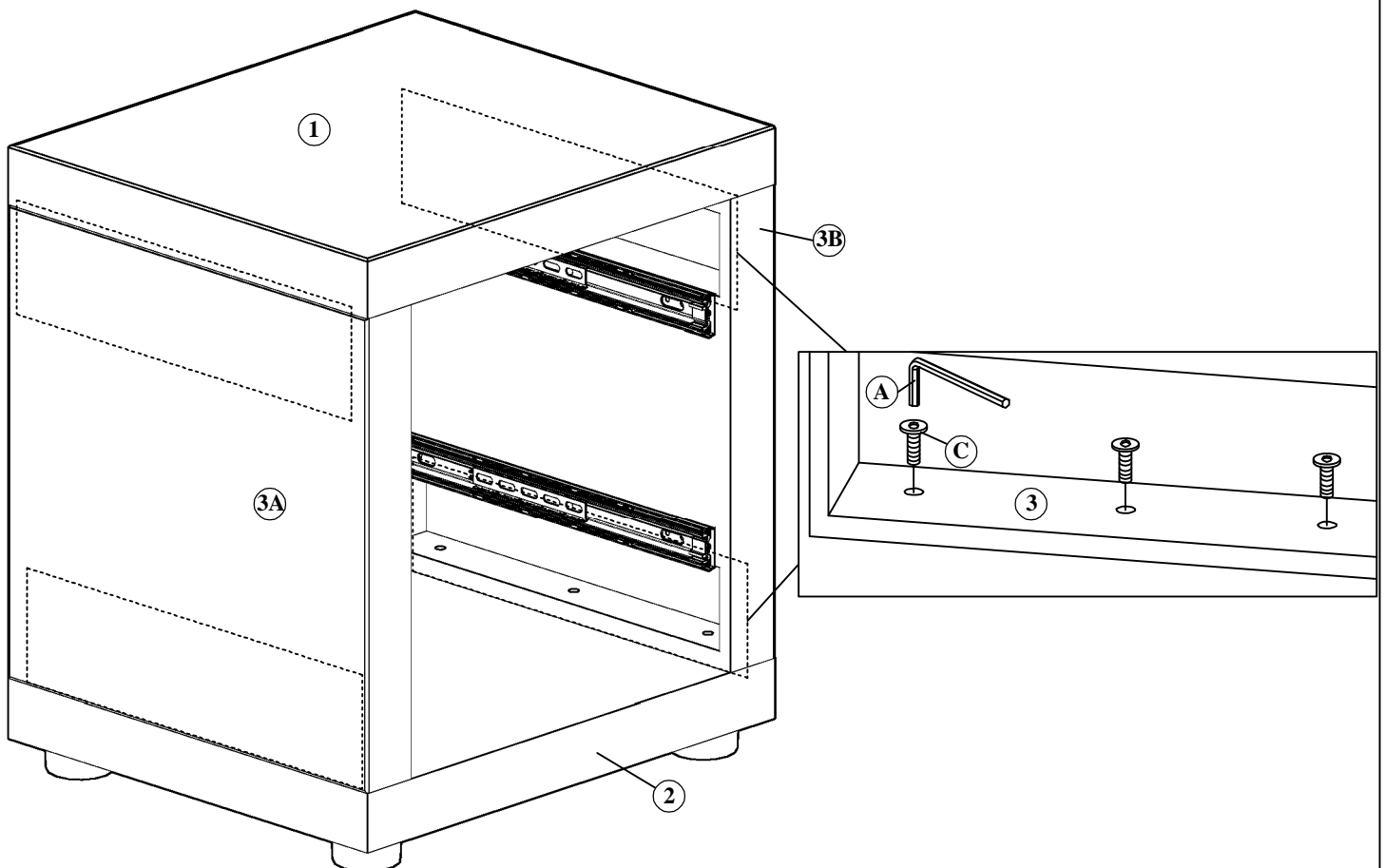
Allen Key M4 - 1 pc.  ①A	JCBC Bolt M6 x 30mm - 8 pcs.  ②B	JCBC Bolt M6 x 35mm - 12 pcs.  ③C	Handle Screw M4 x 20mm - 2 pcs.  ④D	Handle Screw M4 x 30mm - 16 pcs.  ⑤E	Wood Screw M3.5 x 12mm - 8 pcs.  ⑥F	Wood Screw M3.5 x 16mm - 8 pcs.  ⑦G	Wood Screw M4 x 35mm - 4 pcs.  ⑧H
Plastic Leg - 4 pcs.  ⑨I	Drawer Knob - 2 pcs.  ⑩J						

ASSEMBLY INSTRUCTIONS

STEP 1 :

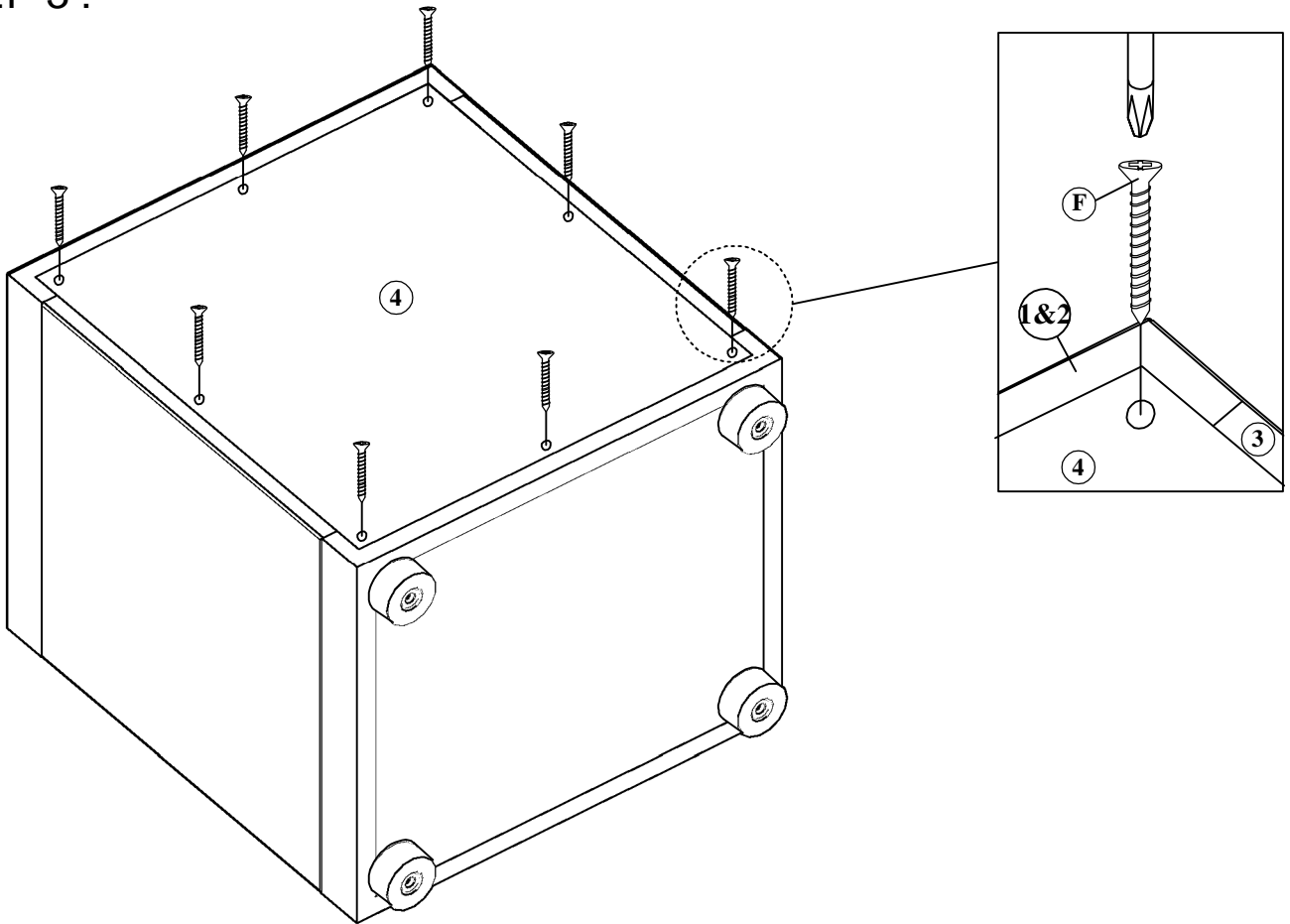


STEP 2 :

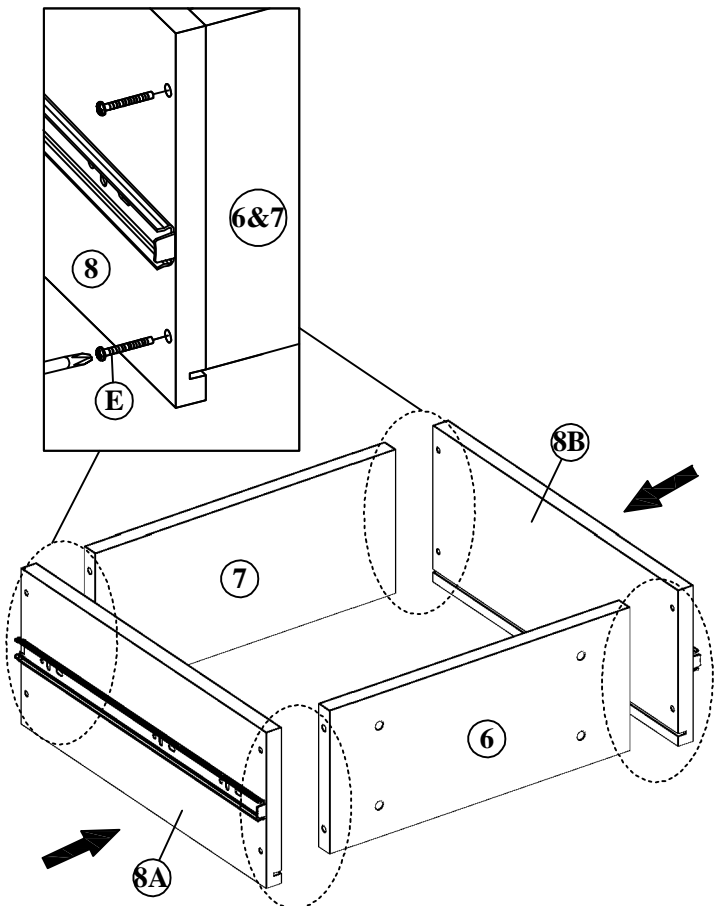


ASSEMBLY INSTRUCTIONS

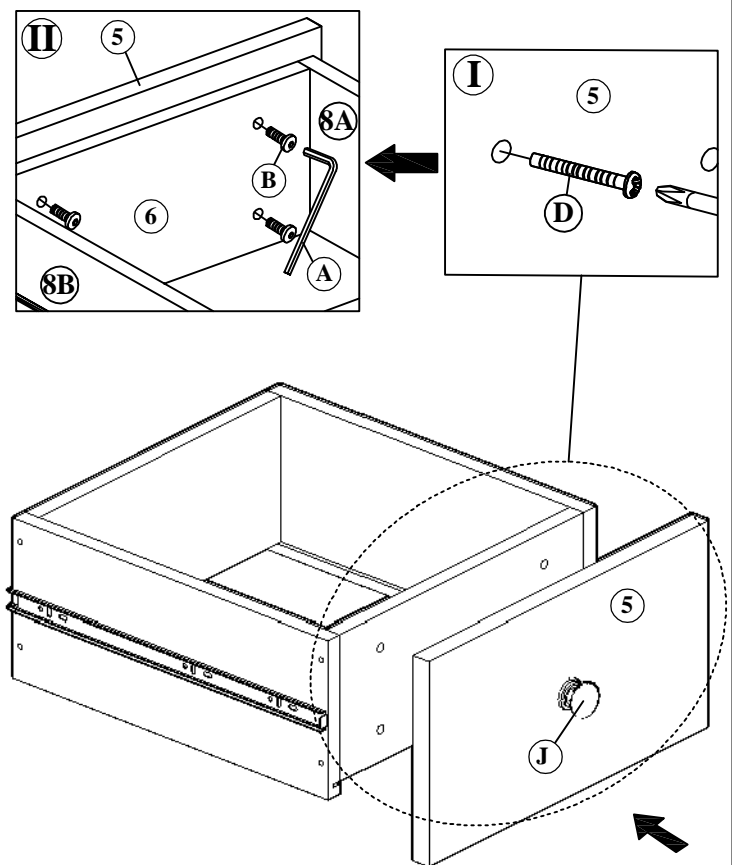
STEP 3 :



STEP 4 :

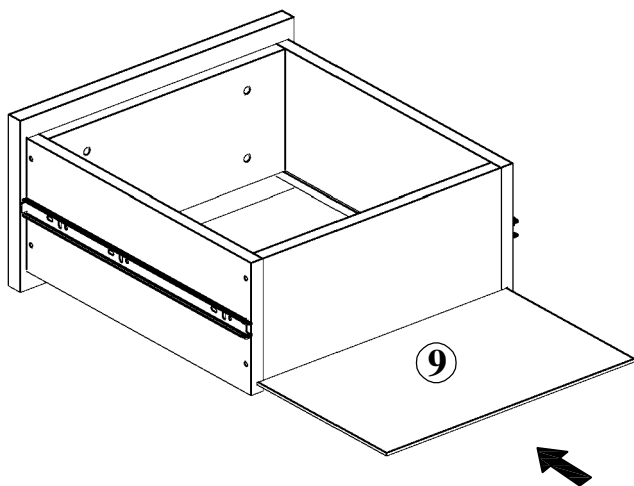


STEP 5 :

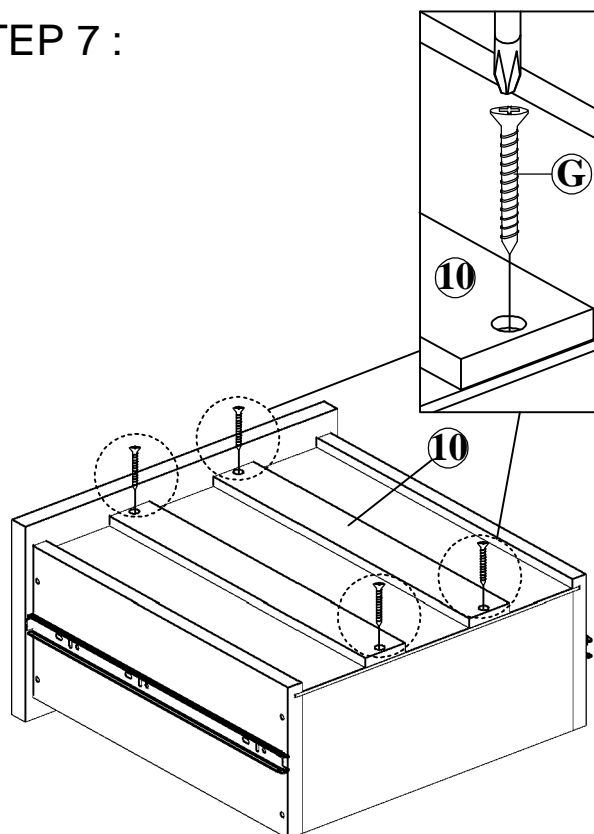


ASSEMBLY INSTRUCTIONS

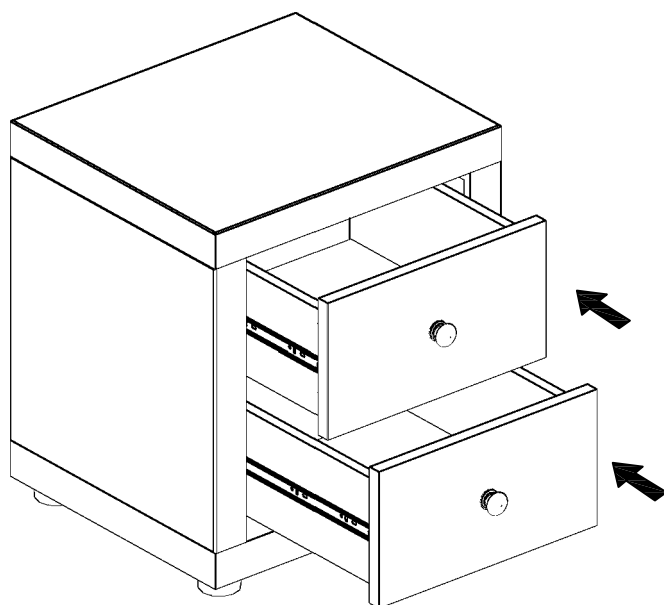
STEP 6 :



STEP 7 :



STEP 8 :



COMPLETE VIEW

