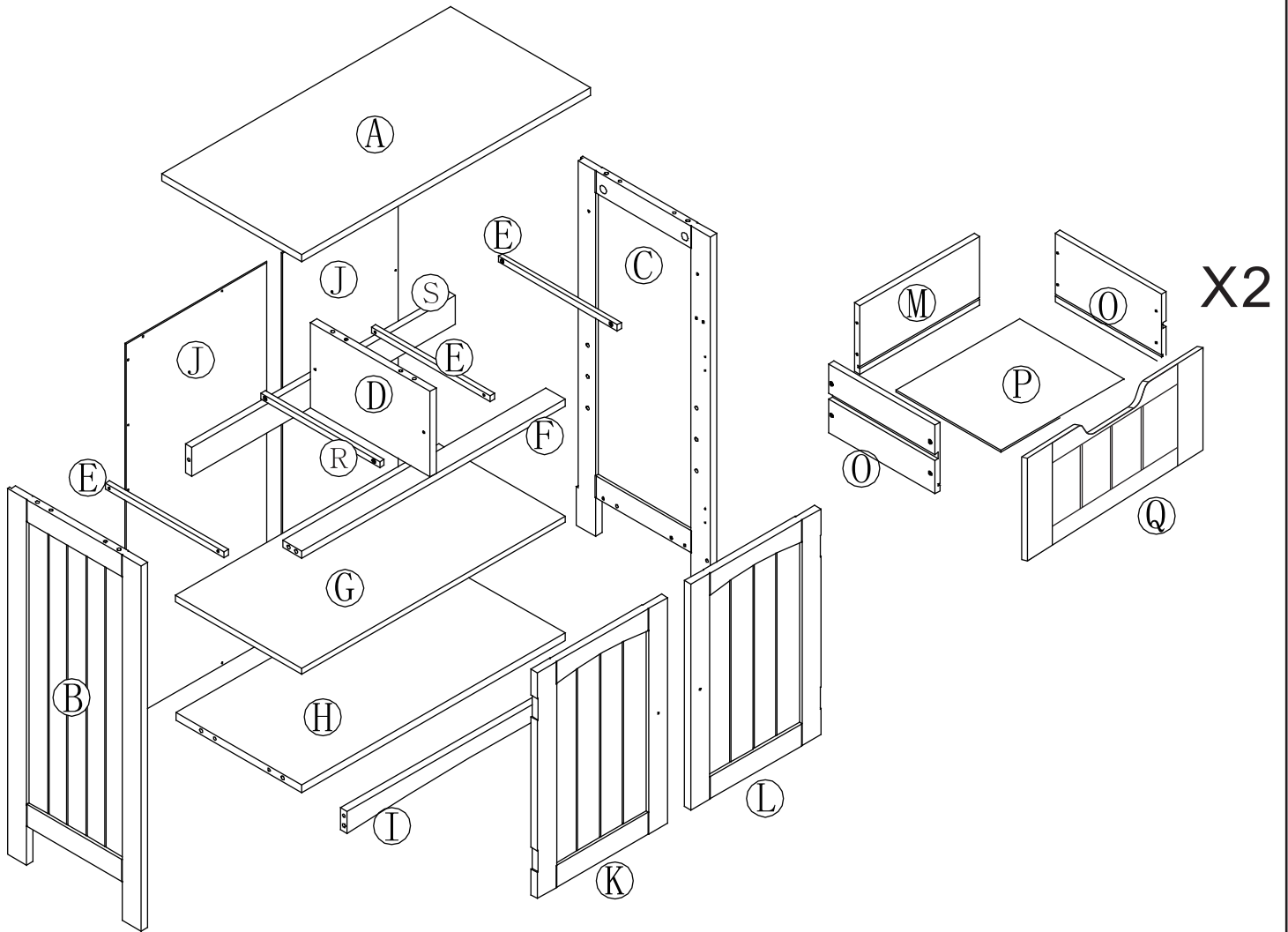


60596 60597

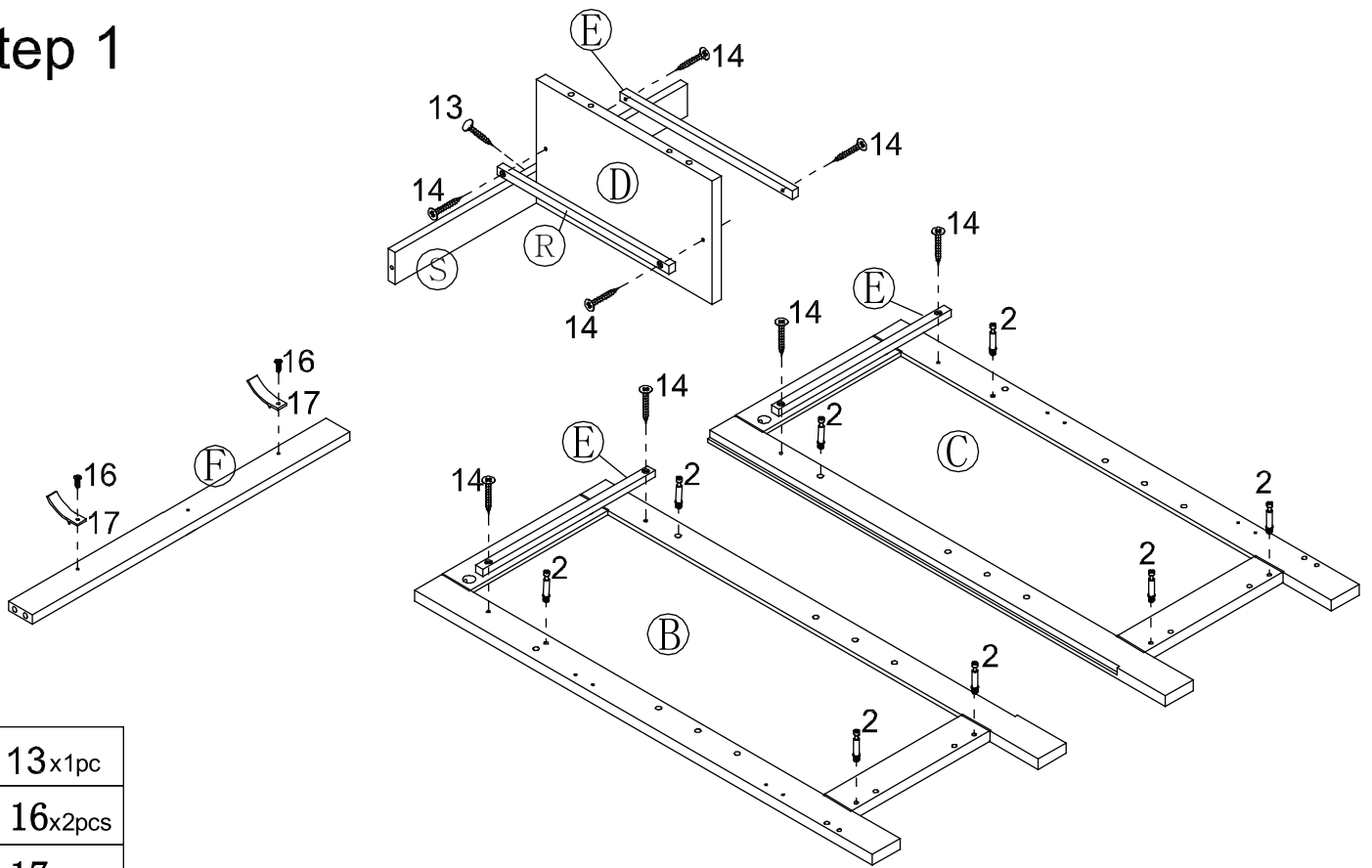





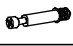



### Hardware:

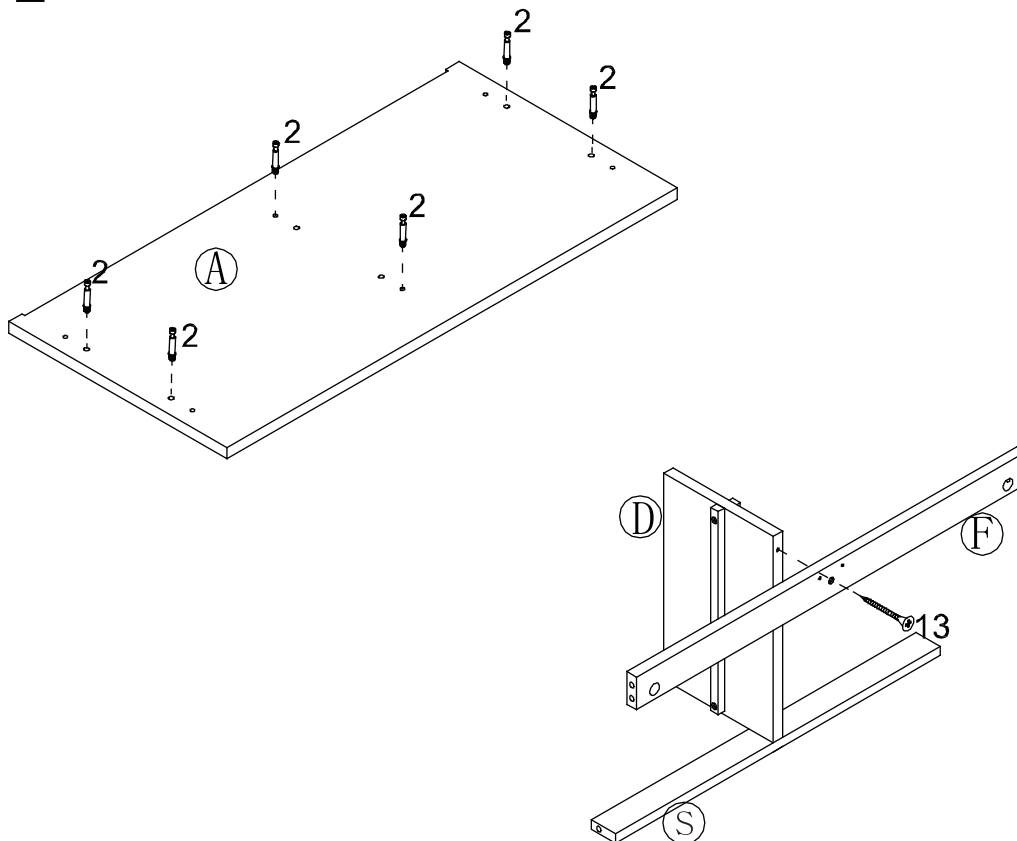
Letter	Draw	Number	Letter	Draw	Number	Letter	Draw	Number
1	$\phi 6 \times 30 \text{mm}$	16pcs	7	$\phi 3 \times 14 \text{mm}$	2pcs	13	$\phi 4 \times 30 \text{mm}$	2pcs
2	$\phi 6 \times 35 \text{mm}$	14pcs	8		1pc	14	$\phi 3 \times 16 \text{mm}$	8pcs
3	$\phi 15 \times 9.5 \text{mm}$	14pcs	9	$\phi 2.5 \times 12 \text{mm}$	20pcs	15	$\phi 3 \times 25 \text{mm}$	16pcs
4	$\phi 3 \times 12 \text{mm}$	16pcs	10		4pcs	16	$\phi 3 \times 10 \text{mm}$	4pcs
5		2pcs	11		2pcs	17		2pcs
6		4pcs	12		2pcs			

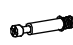

# Step 1



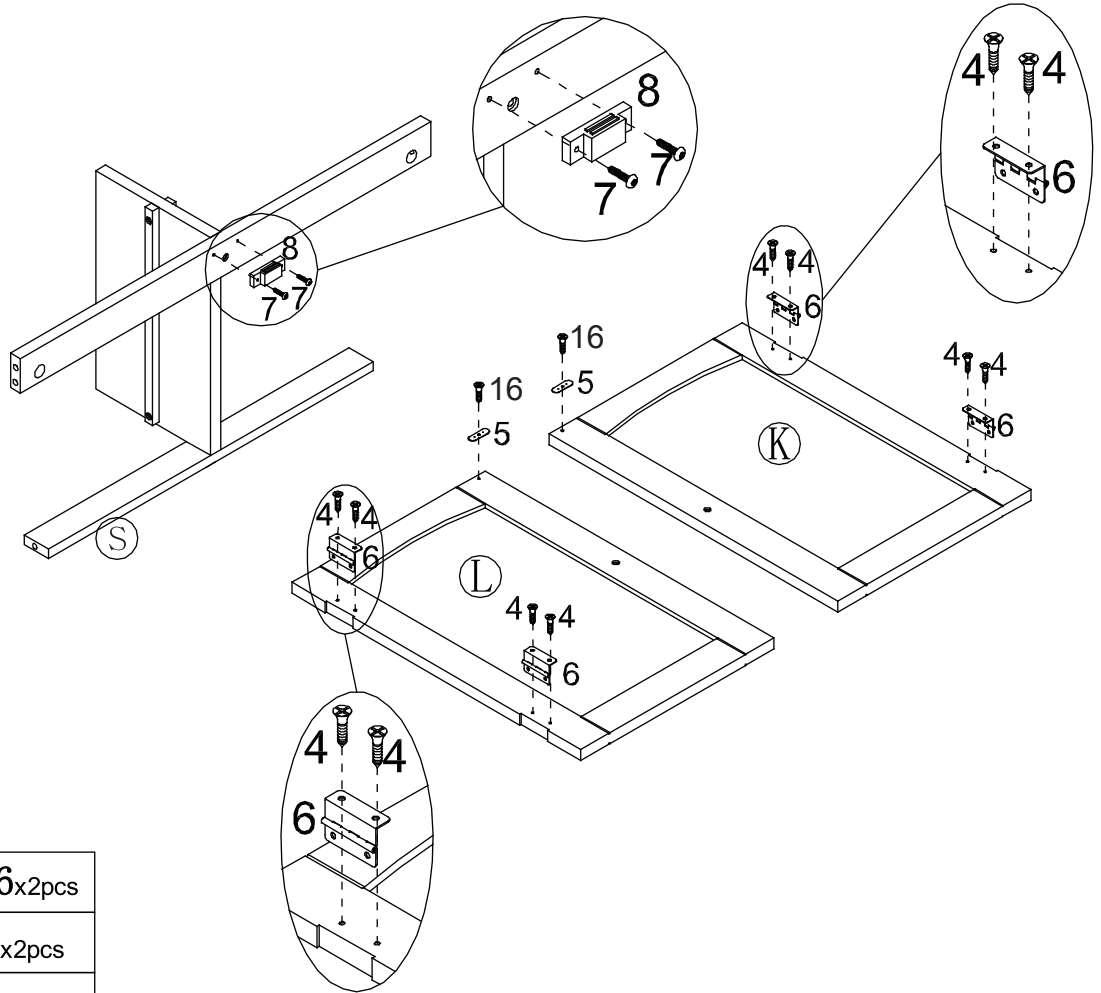
-  13x1pc
-  16x2pcs
-  17x2pcs
-  2x8pcs
-  14x8pcs

# Step 2



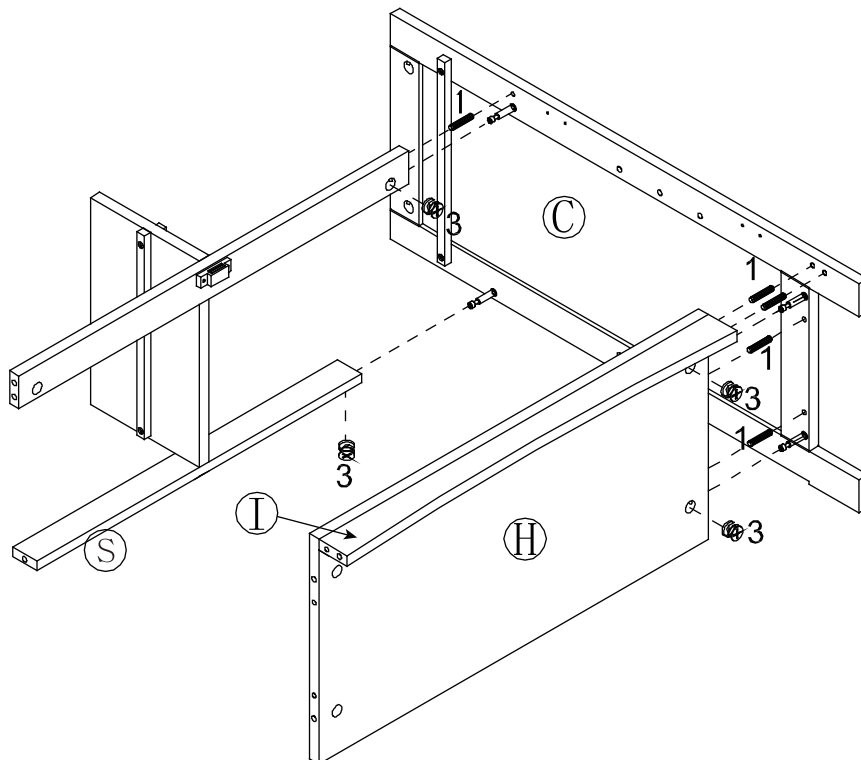
-  2x6pcs
-  13 x1pc

# Step 3



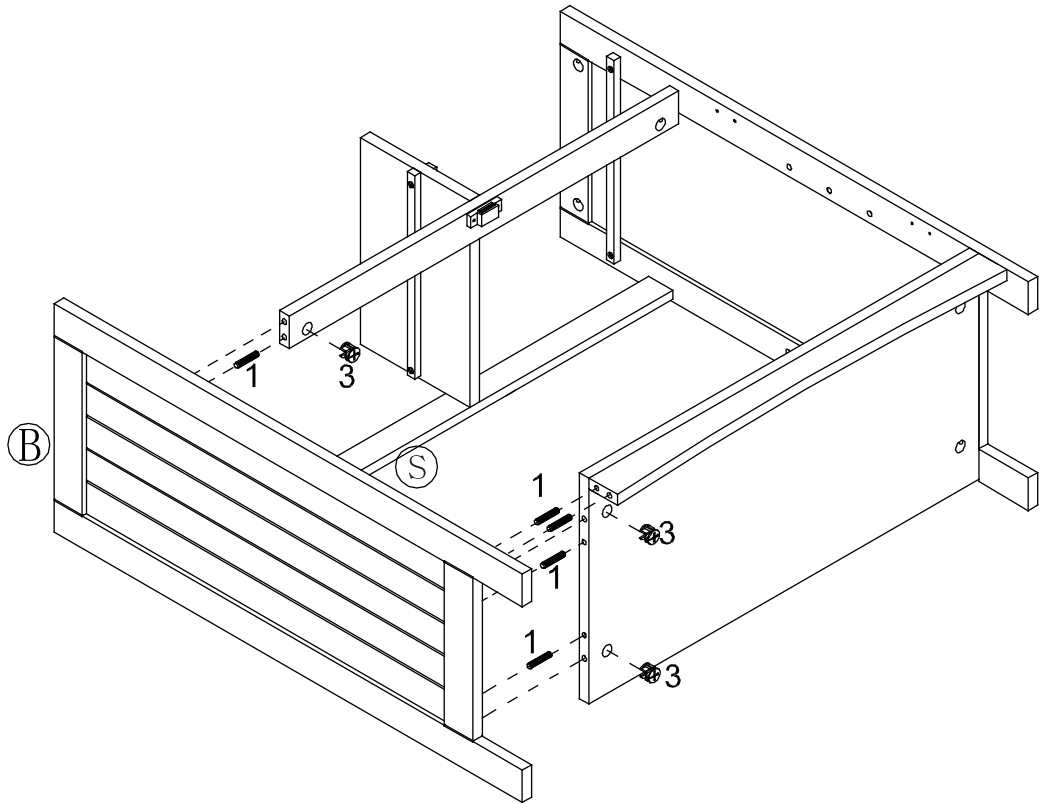
4x8pcs	16x2pcs
5x2pcs	7x2pcs
6x4pcs	8x1pc

# Step 4



1x5pcs
3x4pcs

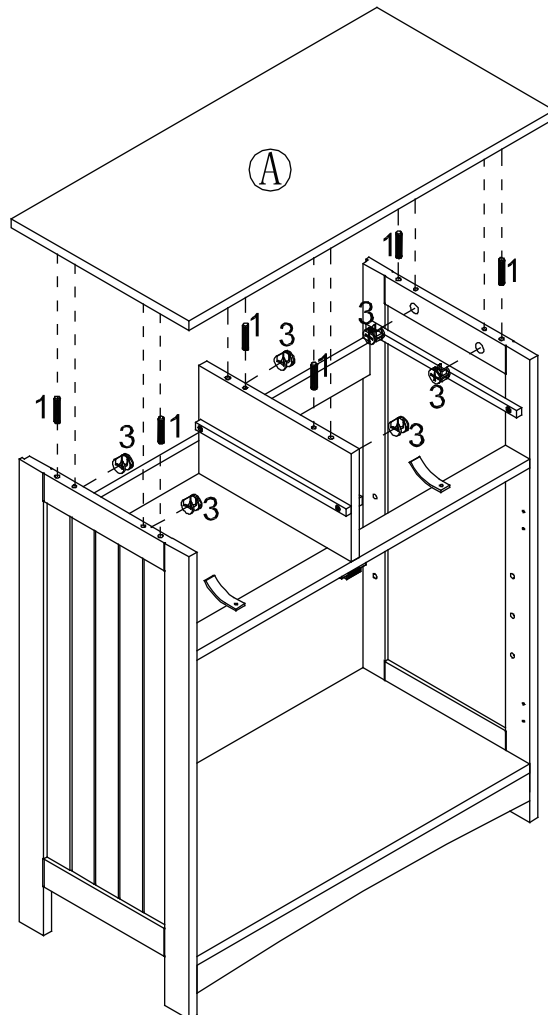
# Step 5



1x5pcs

3x4pcs

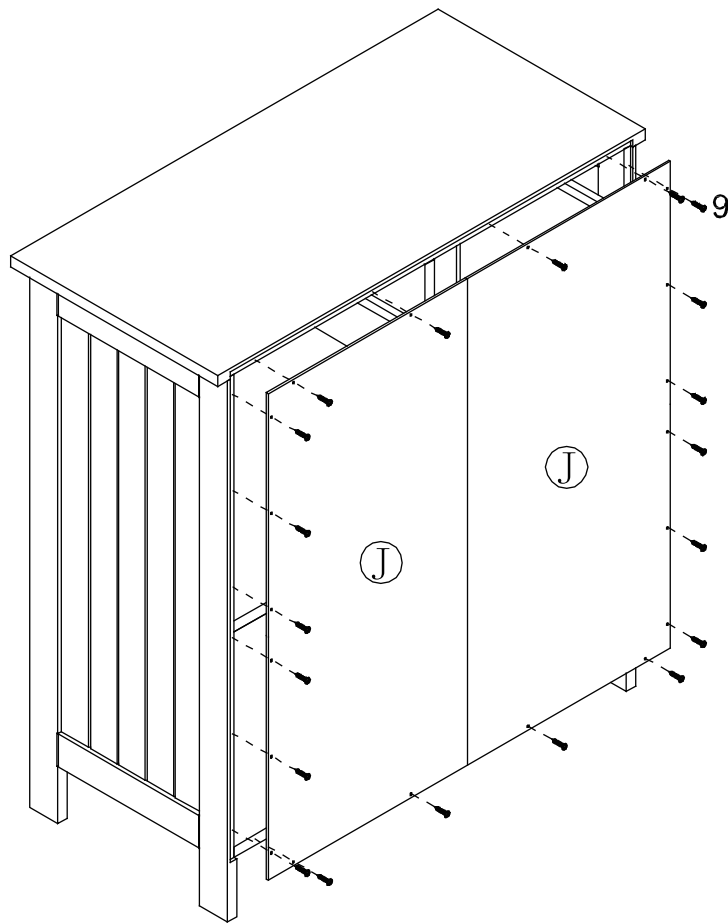
# Step 6




1x6pcs

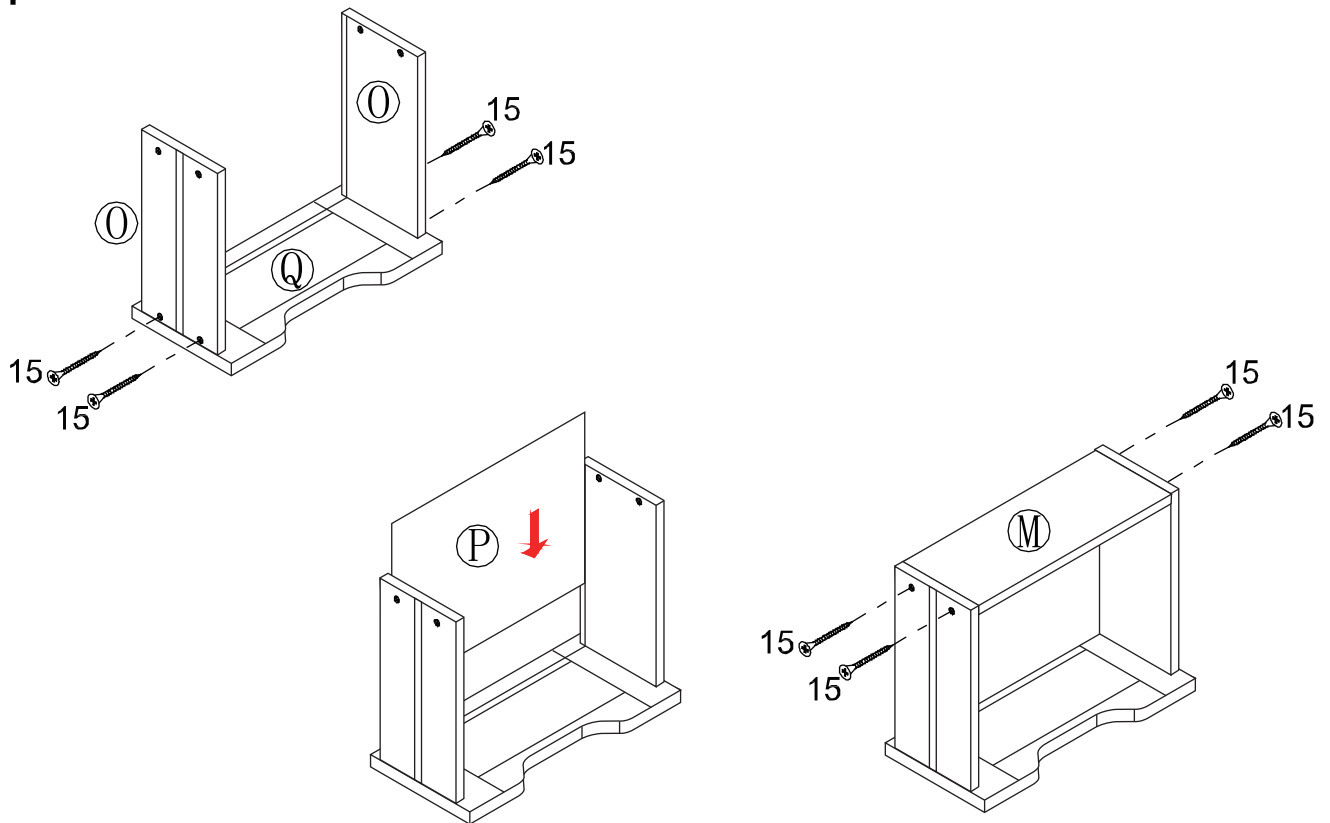
3x6pcs


# Step 7



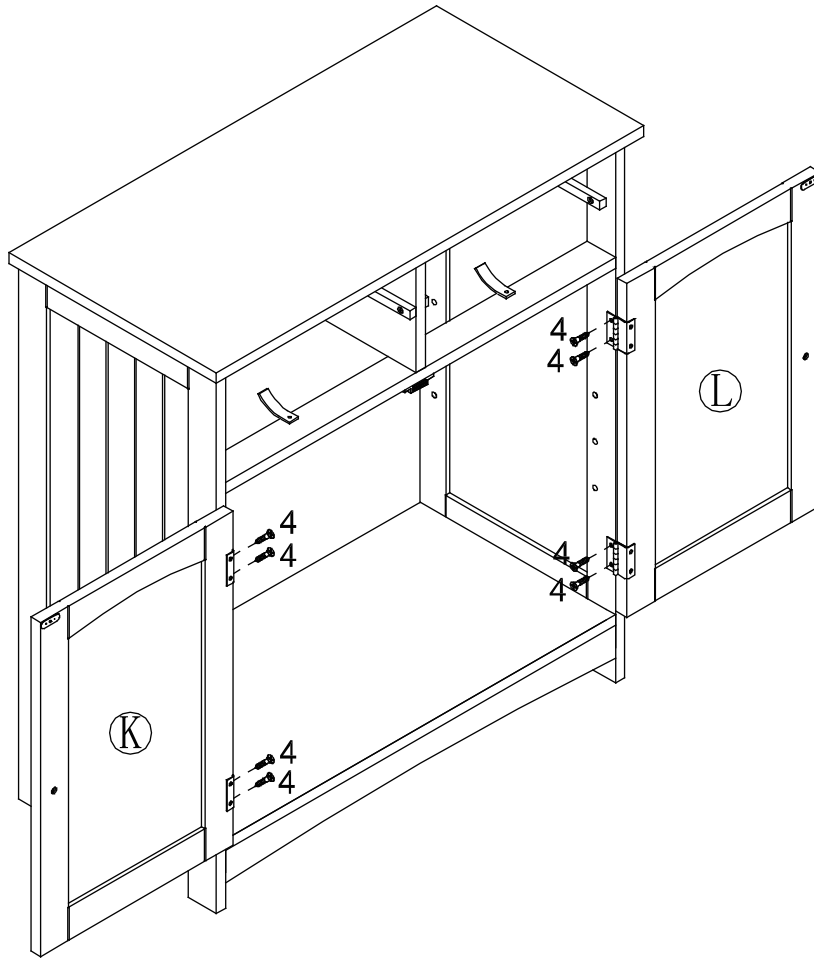
 9x20pcs


# Step 8



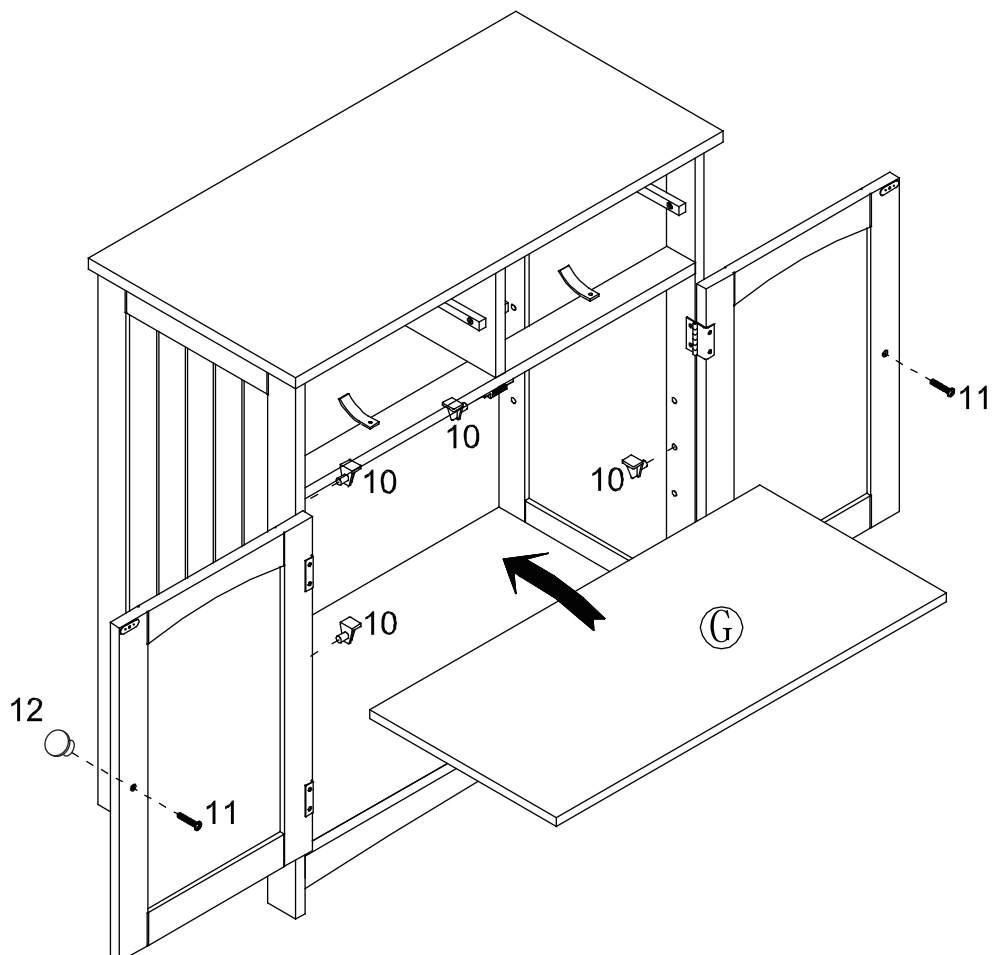
 15x16pcs

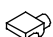
# Step 9





 4x8pcs

# Step 10



 10x4pcs

 11x2pcs

 12x2pcs

# Step 11

