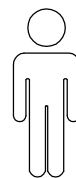
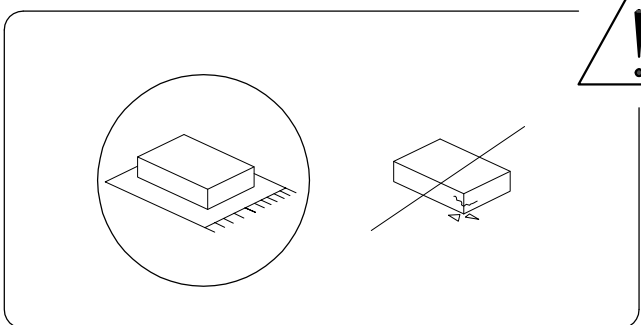
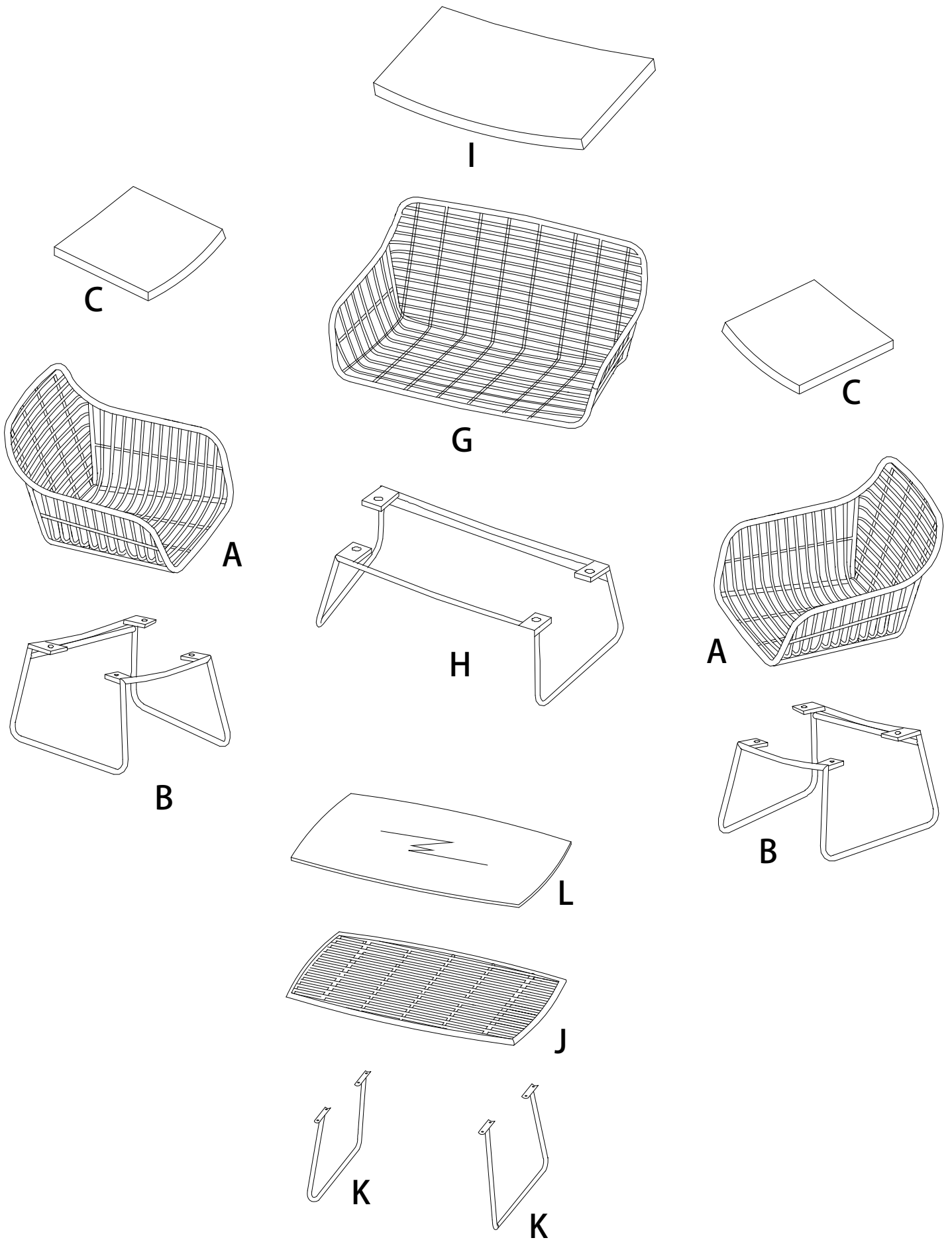


30'

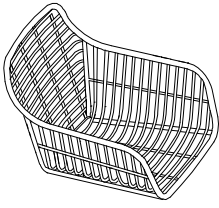


1

1/6

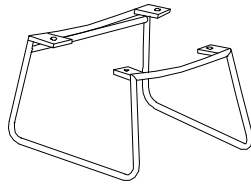


A



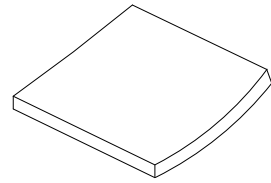
x 2

B



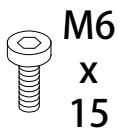
x 2

C



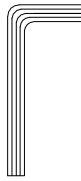
x 2

D



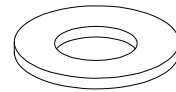
x 20

E



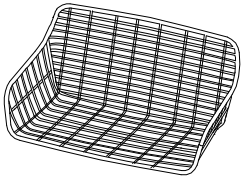
x 1

F



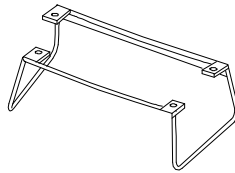
x 20

G



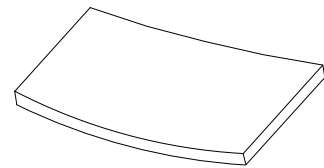
x 1

H



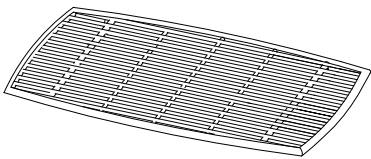
x 1

I



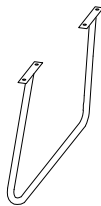
x 1

J



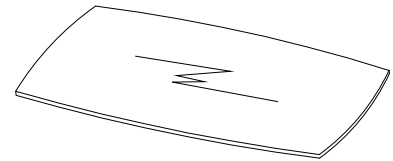
x 1

K




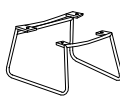

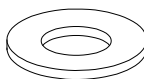
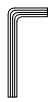
x 2

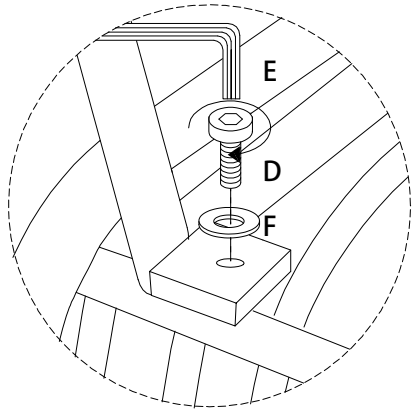
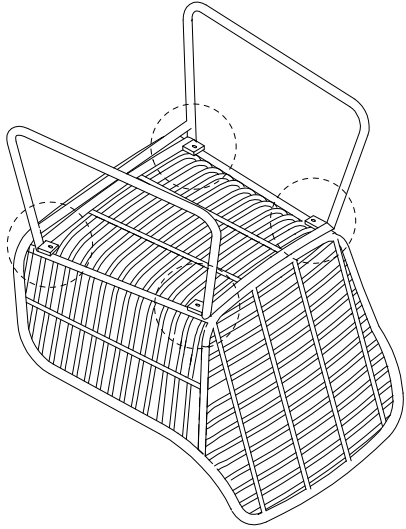
L



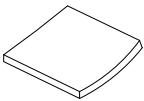
x 1

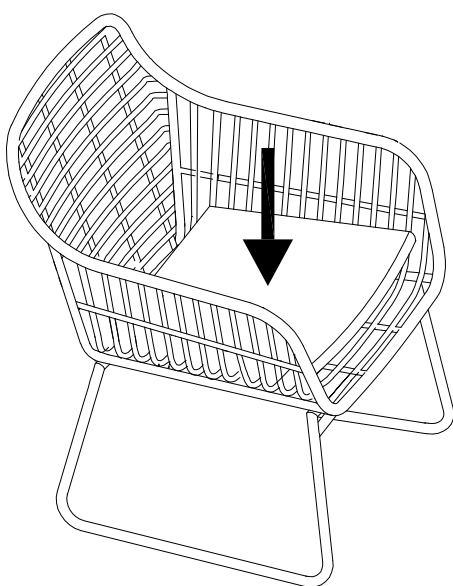
1 x2

A  x1	B  x1	D  M6 x 15 x4	F  x4	E  x1
---	---	--	---	---

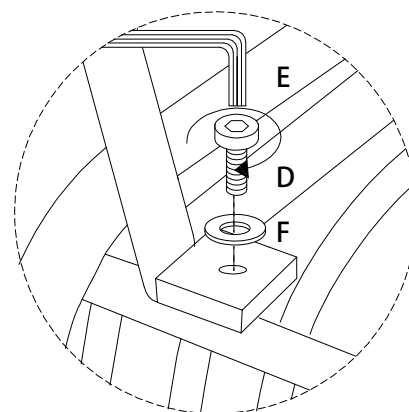
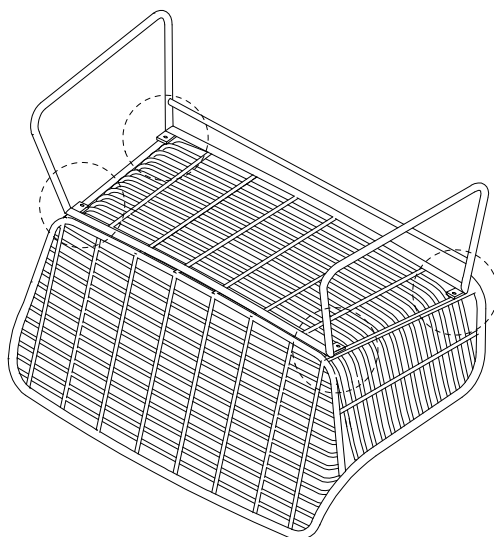
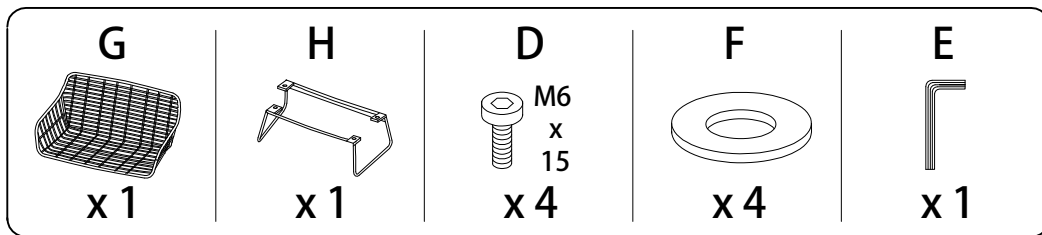


2 x2

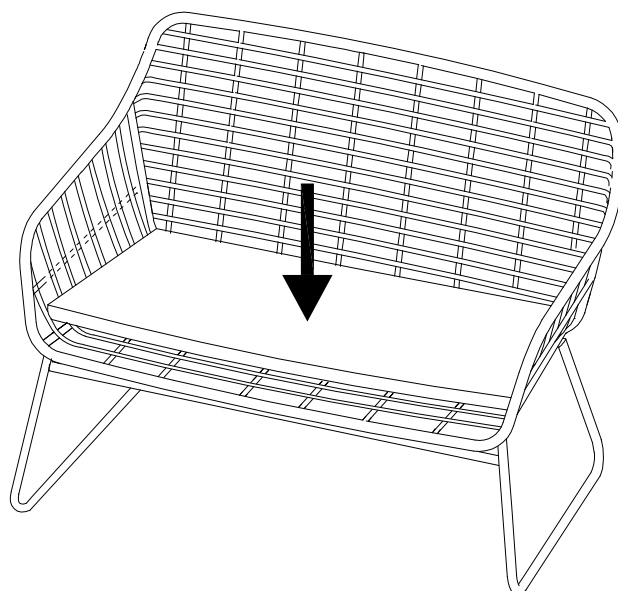
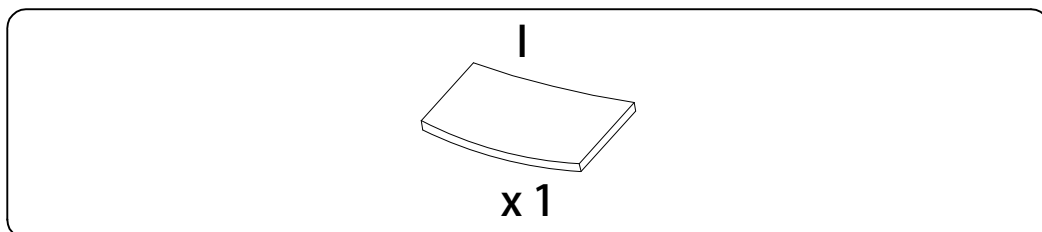
C  x1



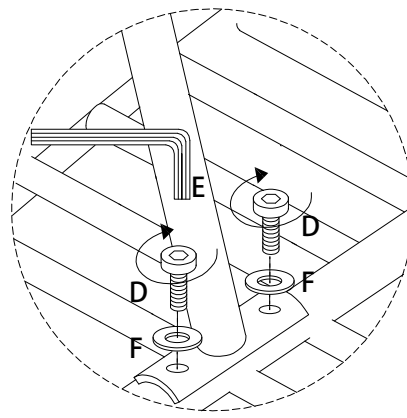
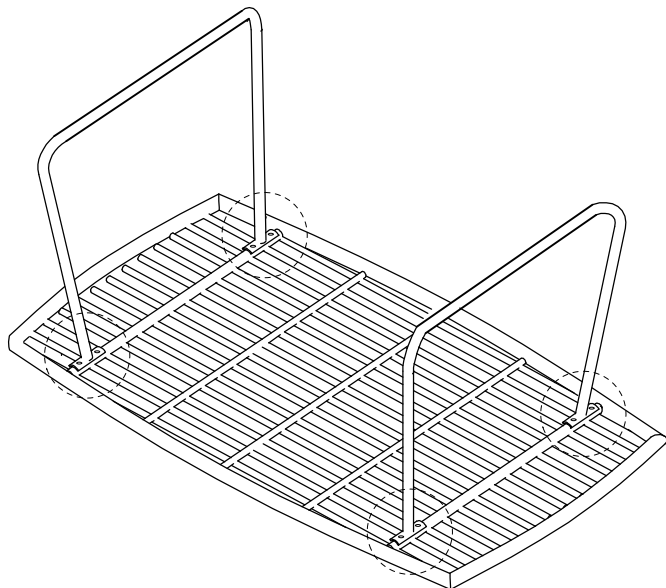
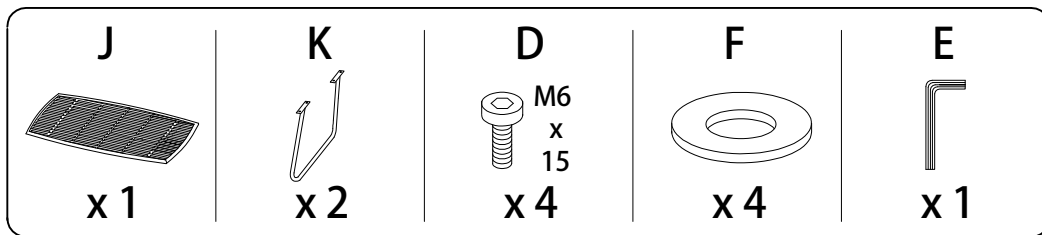
3



4



5



6

