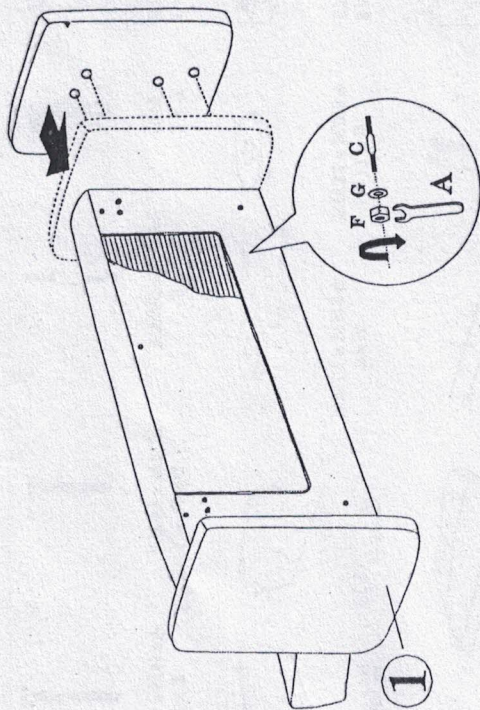
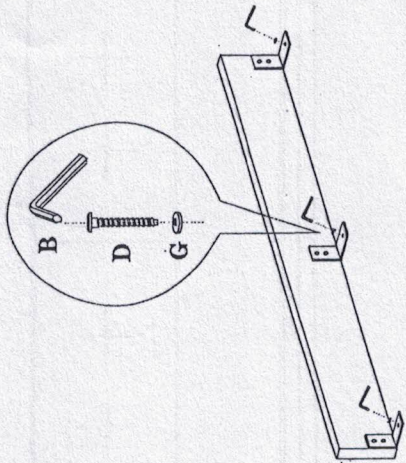


OPERATING YOUR UNIT

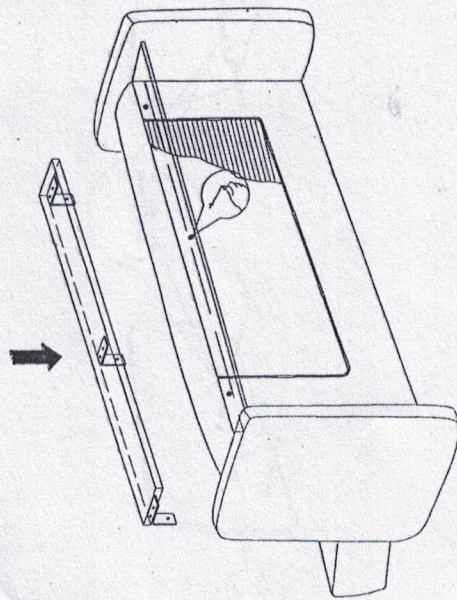
Step 3



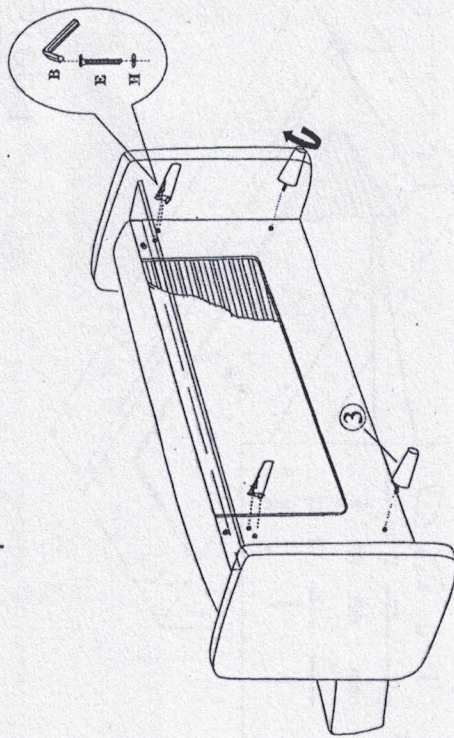
Step 4



Step 5

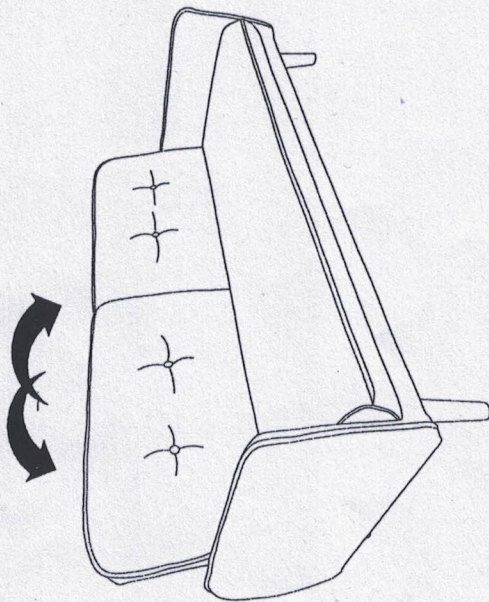


Step 6

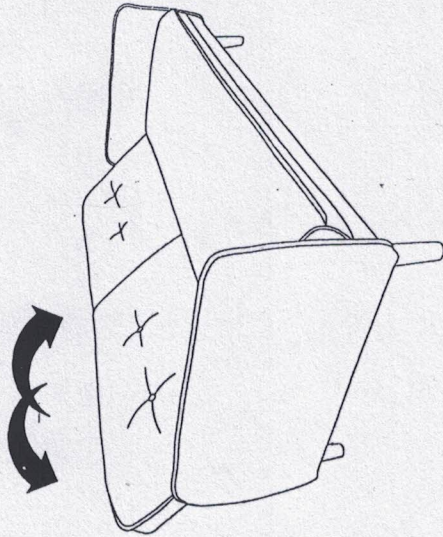


OPERATING YOUR UNIT

Step 7



Step 8



Step 9

