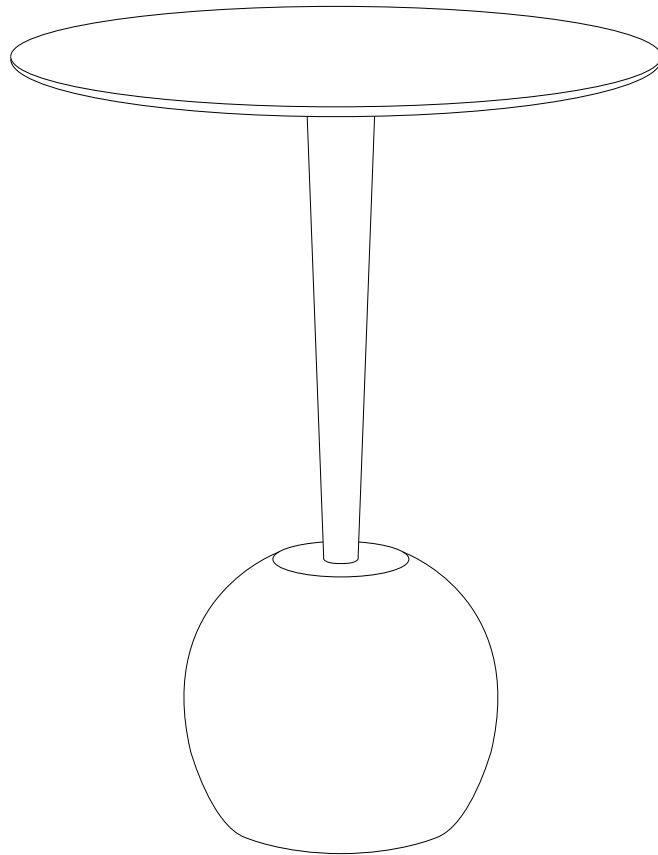
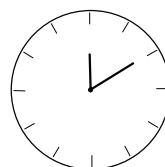
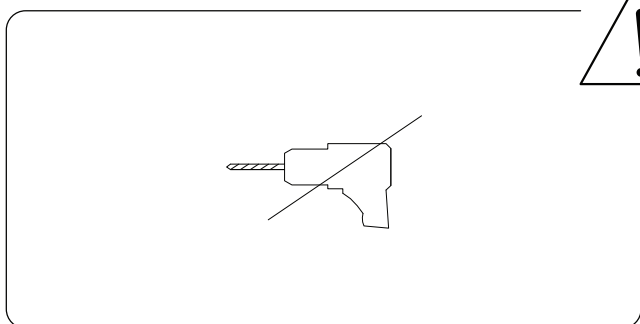
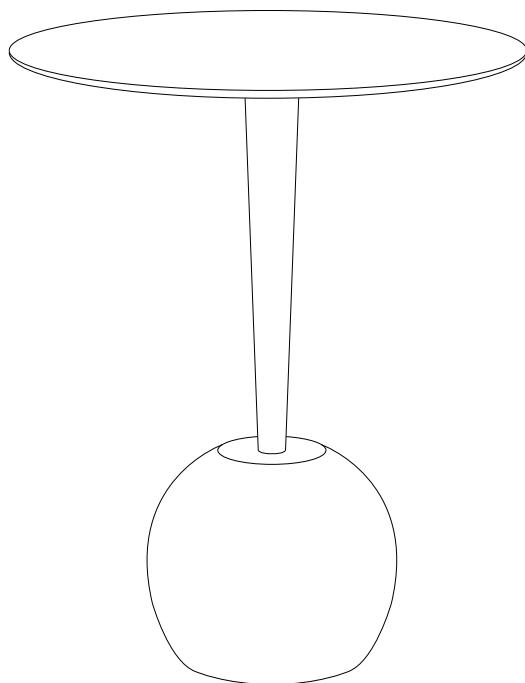
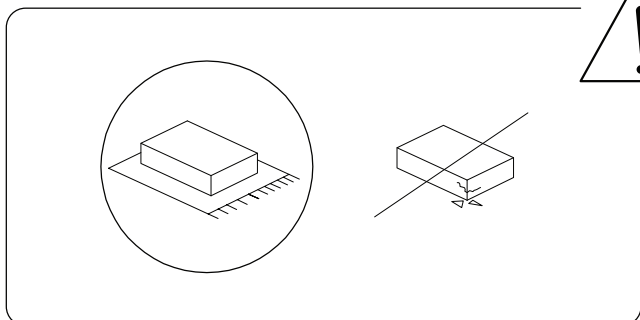


EUCLA

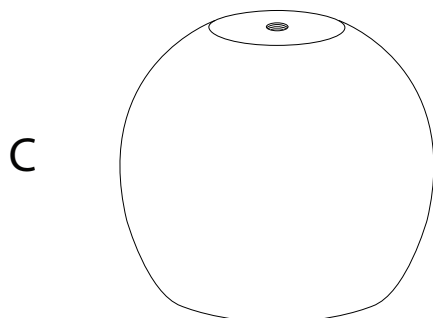
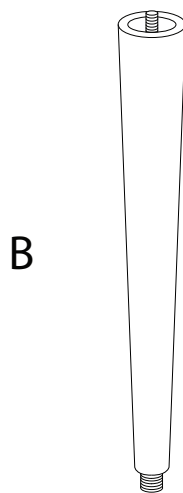
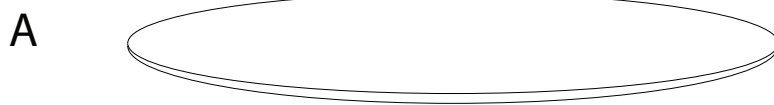




10'



1



A



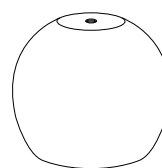
x 1

B



x 1

C



x 1

1

