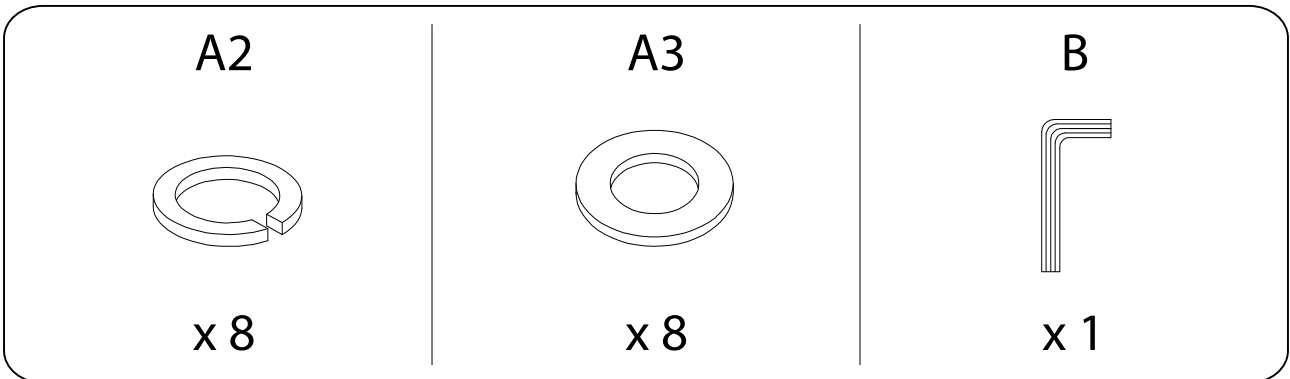
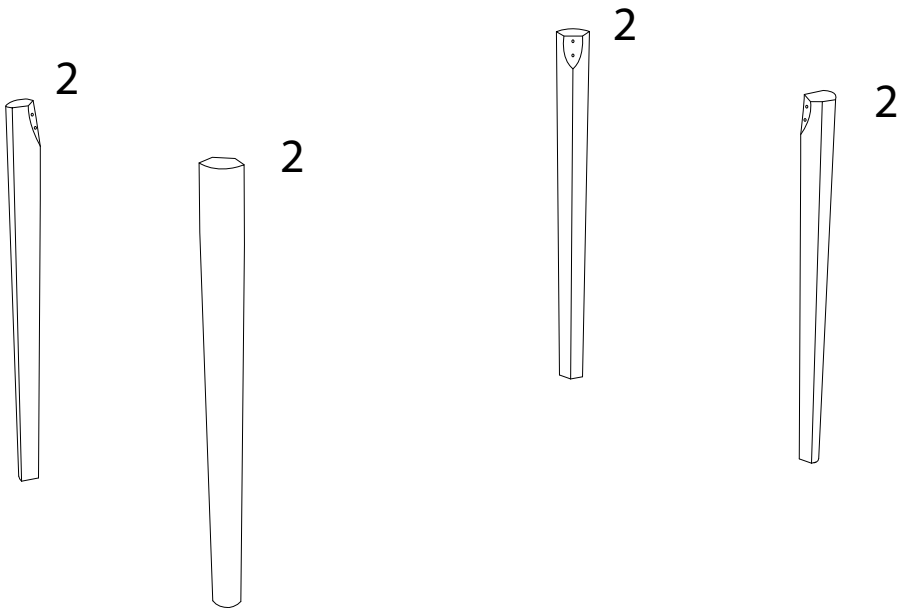
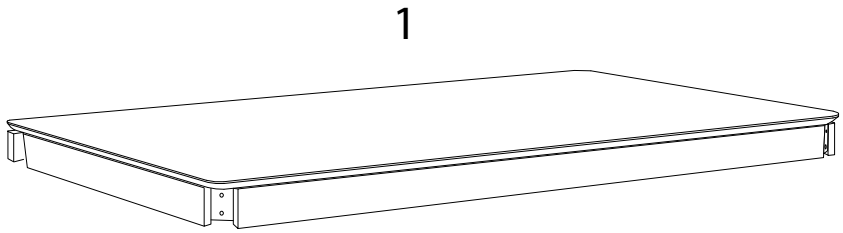
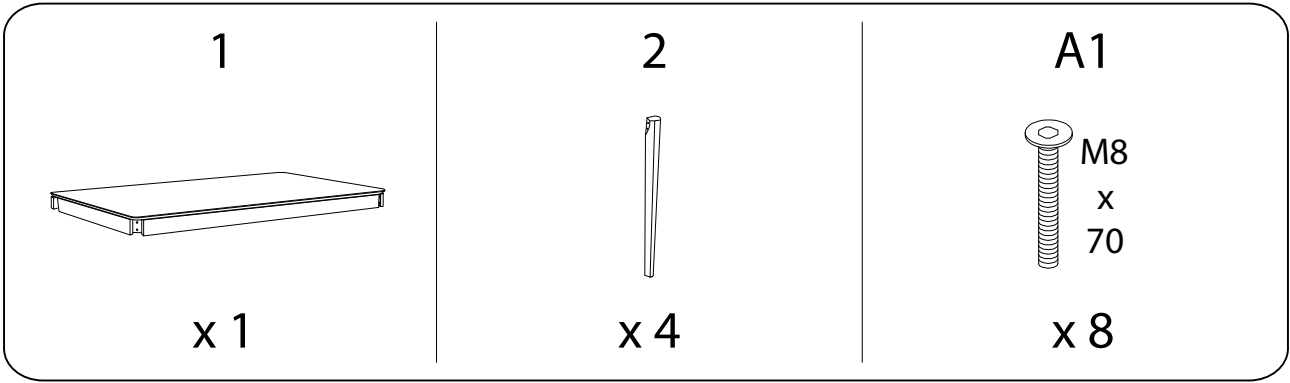





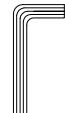


Diagram illustrating assembly instructions and safety warnings:

- Top Warning:** A warning triangle with an exclamation mark is connected by a vertical line to a box containing:
  - A circular icon showing a corner bracket.
  - An icon of a power drill with a diagonal line through it, indicating that a power drill should not be used.
- Bottom Warning:** A warning triangle with an exclamation mark is connected by a vertical line to a box containing:
  - A circular icon showing a rectangular block being placed on a textured surface.
  - An icon of a rectangular block with a diagonal line through it, indicating that the block should not be placed on a soft or uneven surface.
- Time:** A clock icon with the text "20'" below it, indicating a 20-minute assembly time.
- Person:** An icon of a person with the text "1" below it, indicating that one person is required for assembly.



1

<p>1</p>  <p>x 1</p>	<p>2</p>  <p>x 4</p>	<p>A1</p>  <p>M8 x 70</p> <p>x 8</p>	<p>A2</p>  <p>x 8</p>	<p>A3</p>  <p>x 8</p>	<p>B</p>  <p>x 1</p>
-------------------------------------------------------------------------------------------------------	-------------------------------------------------------------------------------------------------------	-------------------------------------------------------------------------------------------------------------------------------	---------------------------------------------------------------------------------------------------------	----------------------------------------------------------------------------------------------------------	---------------------------------------------------------------------------------------------------------

