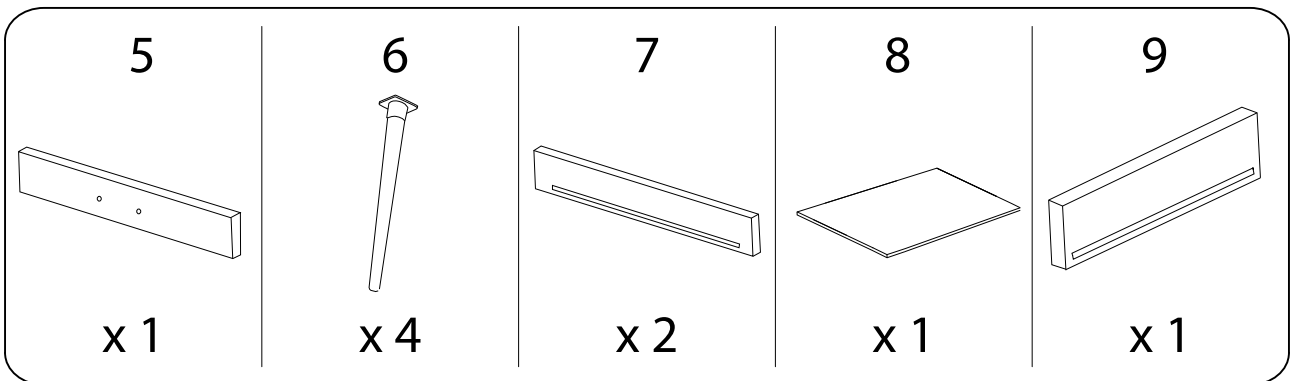
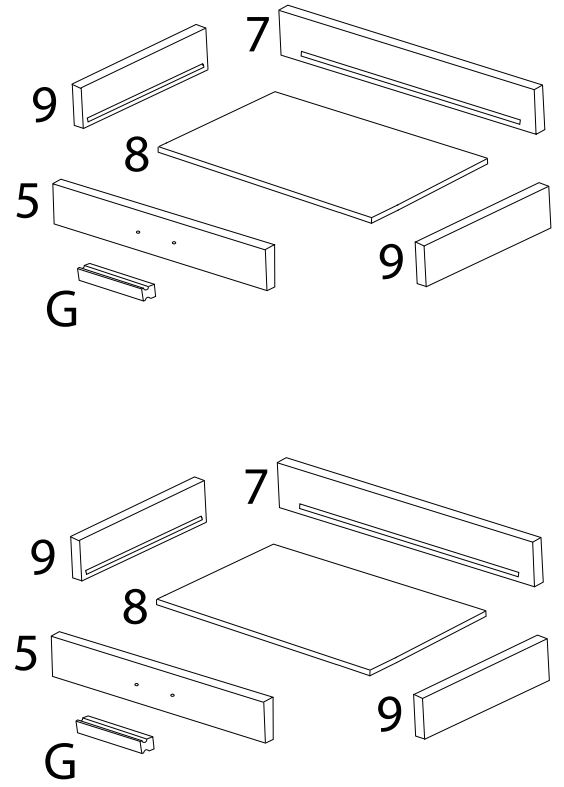
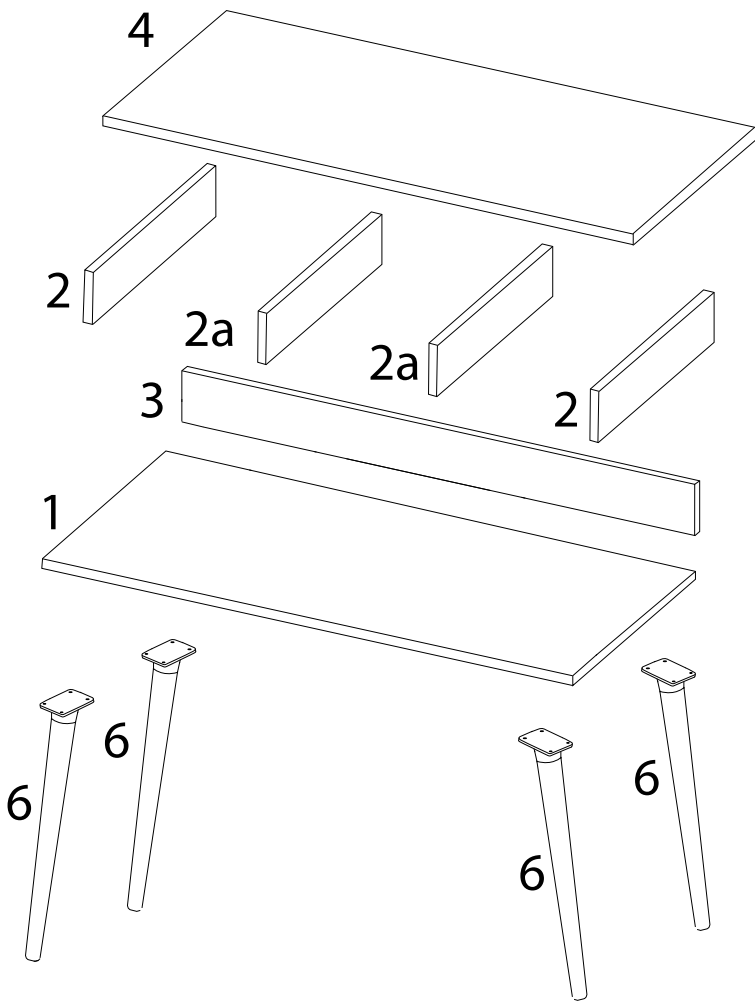
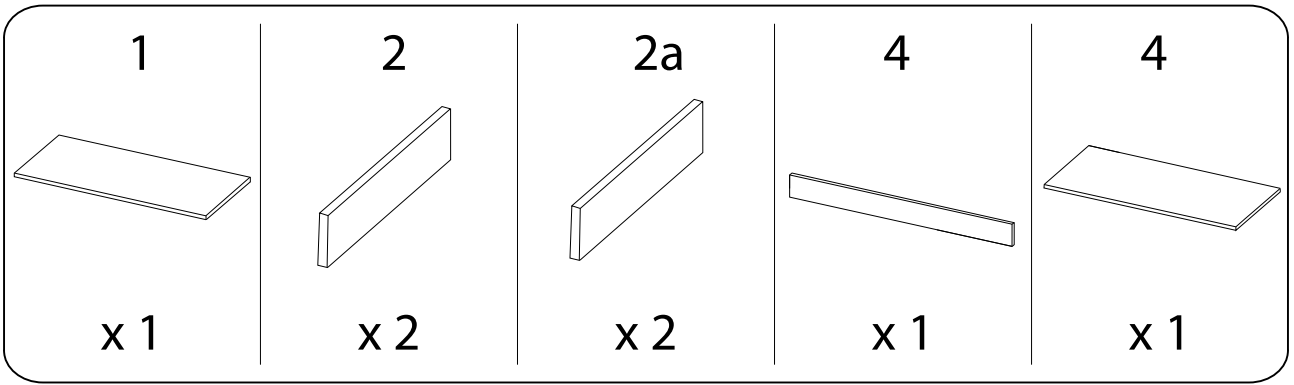
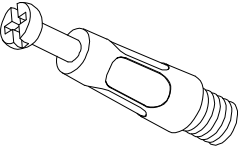
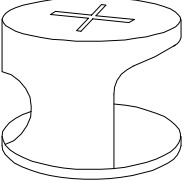
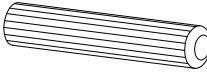
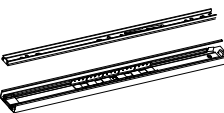
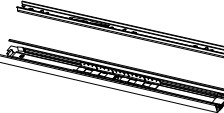
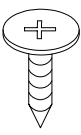
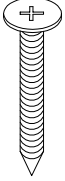
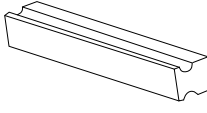
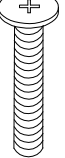
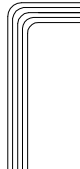
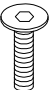
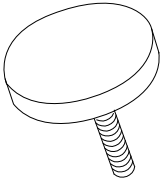


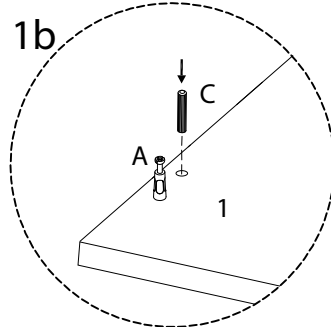
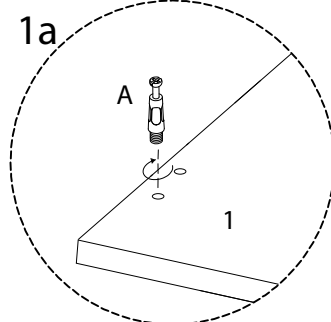
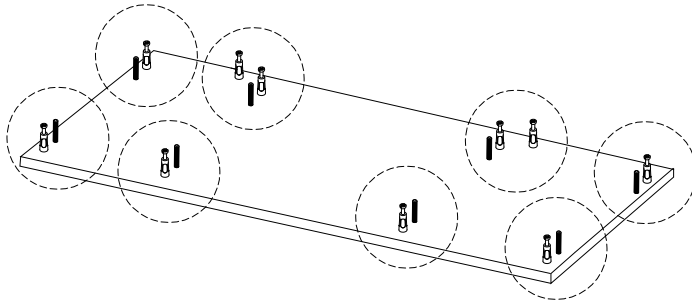
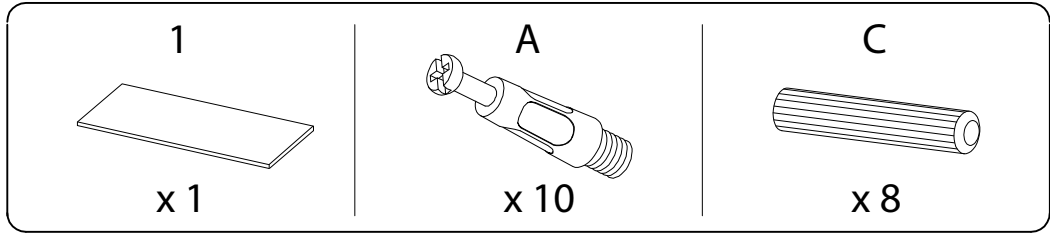
Assembly instructions for step 1/10:

- Tools:** An icon box shows required tools: an Allen key, a hammer, and a screwdriver. A power drill is shown with a diagonal line through it, indicating it is not required.
- Warning:** A warning triangle with an exclamation mark is positioned above the tool box.
- Time:** A clock icon is shown next to the text "60'", indicating the estimated assembly time.
- Personnel:** An icon of a person is shown next to the number "1", indicating that one person is required for assembly.

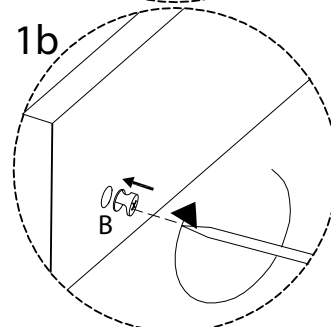
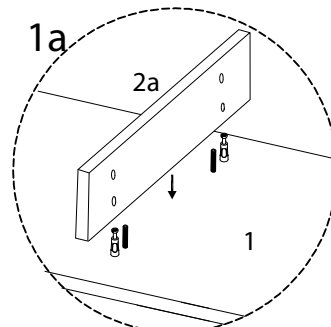
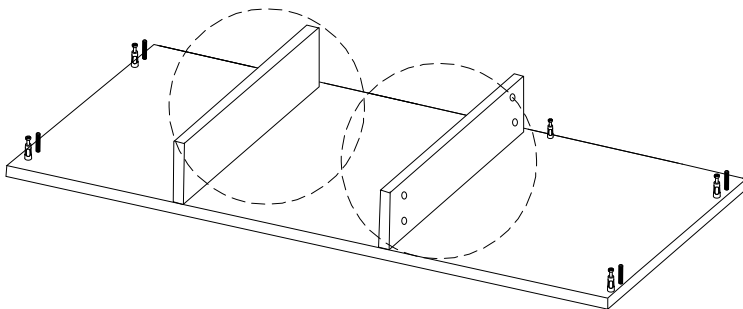
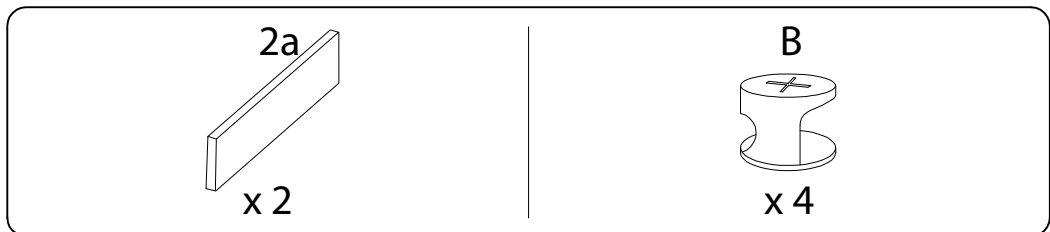


<p>A</p>  <p>x 30</p>	<p>B</p>  <p>x 30</p>	<p>C</p>  <p>x 16</p>	<p>D1</p>  <p>x 2</p>	<p>D2</p>  <p>x 2</p>
<p>E</p>  <p>M3.5 x 16</p> <p>x 16</p>	<p>F</p>  <p>M3.5 x 35</p> <p>x 8</p>	<p>G</p>  <p>x 2</p>	<p>H</p>  <p>M4 x 25</p> <p>x 4</p>	<p>I</p>  <p>x 1</p>
<p>J</p>  <p>M6 x 16</p> <p>x 16</p>		<p>K</p>  <p>x 4</p>		

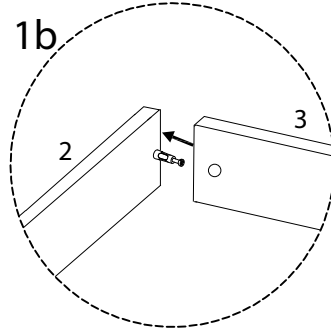
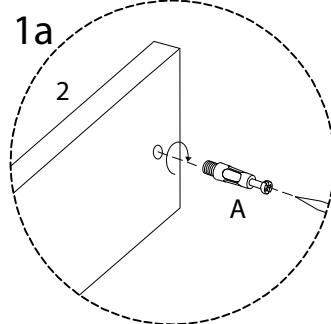
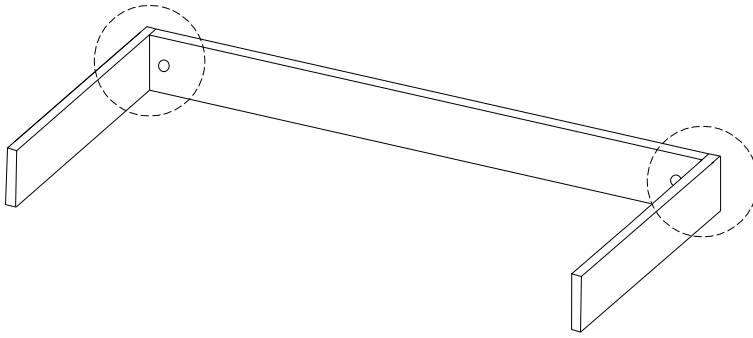
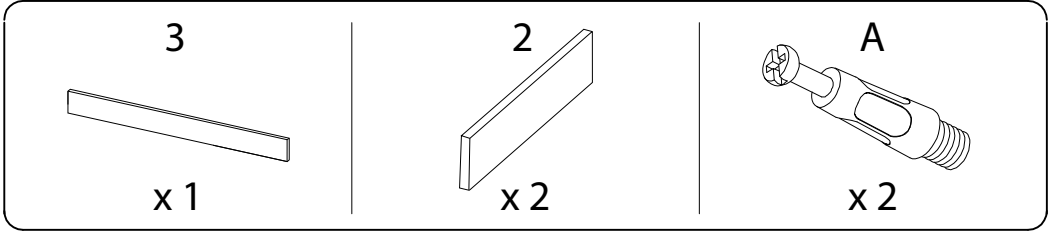
1



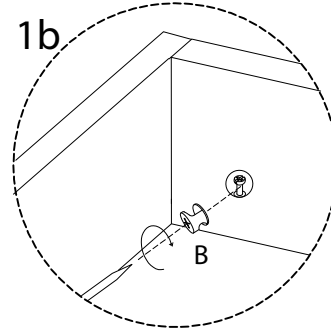
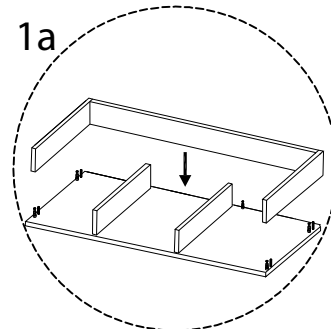
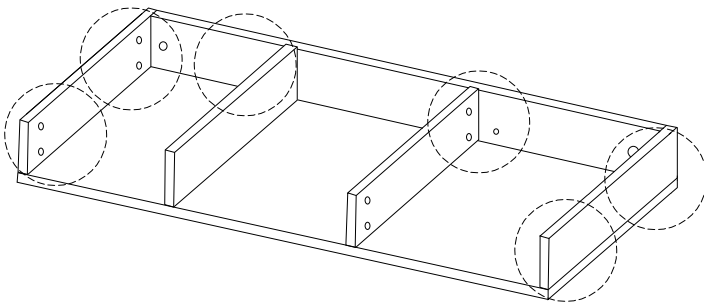
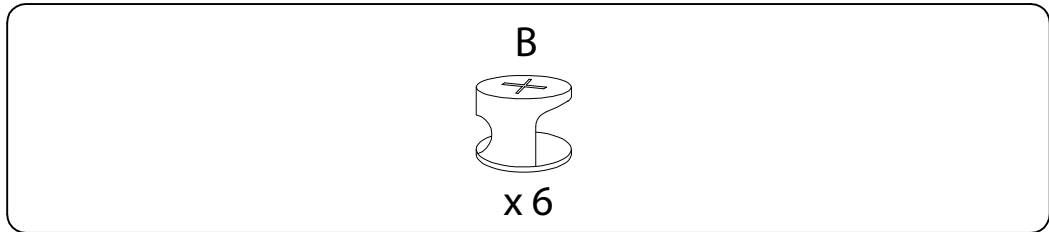
2



3



4



5

D1



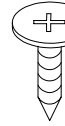
x 2

D2

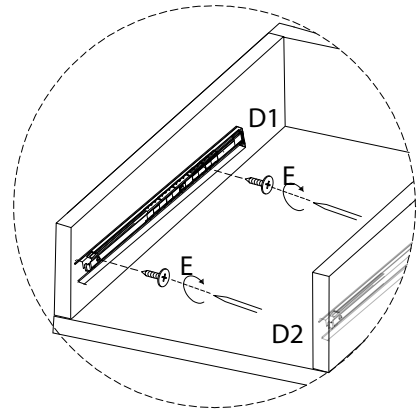
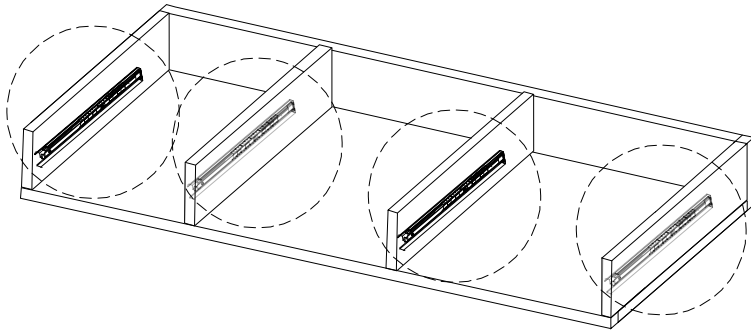


x 2

E

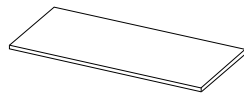


M5
x 16
x 8



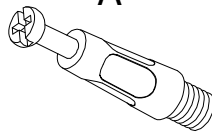
6

4



x 1

A

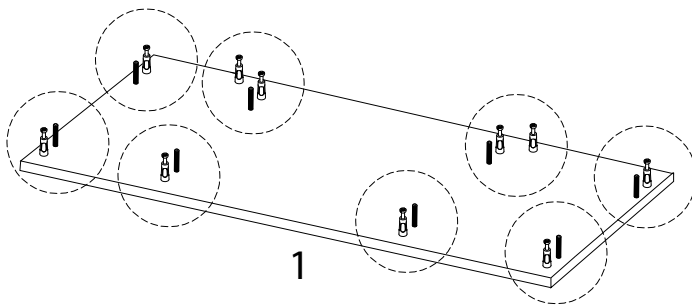


x 10

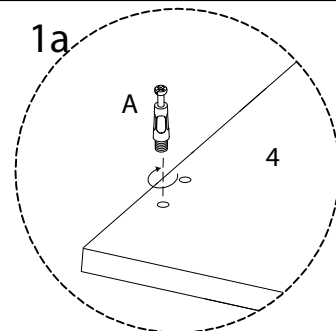
C



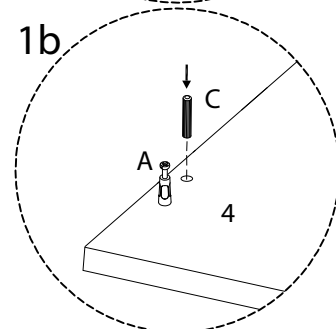
x 8



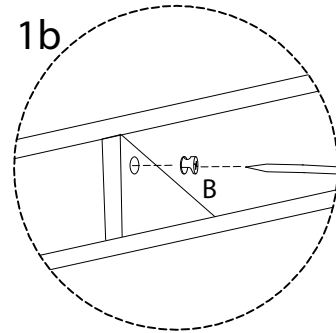
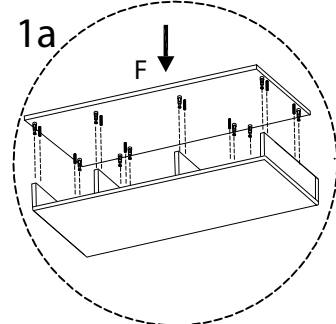
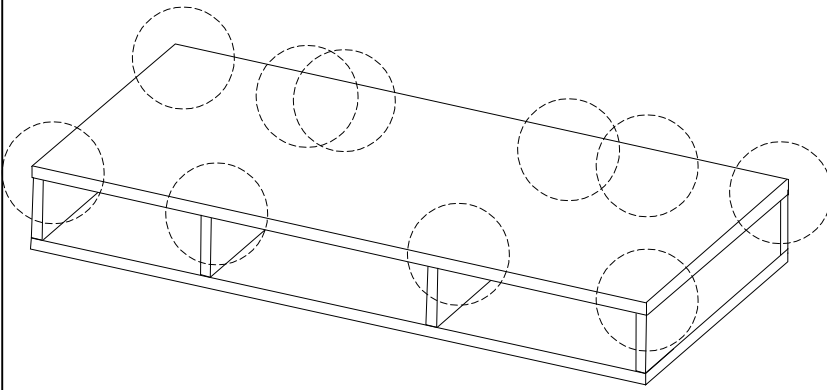
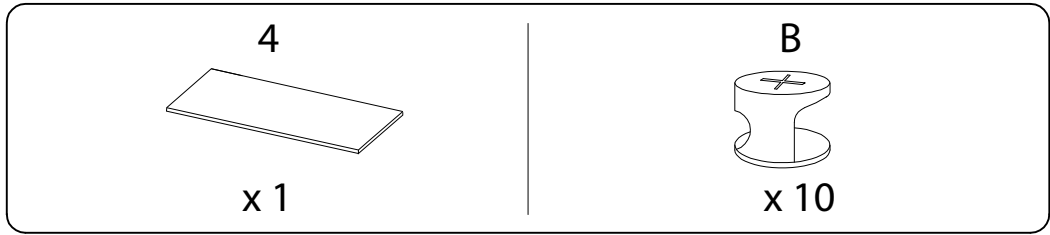
1a



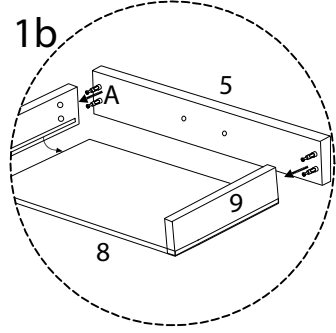
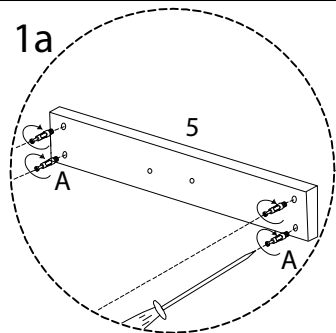
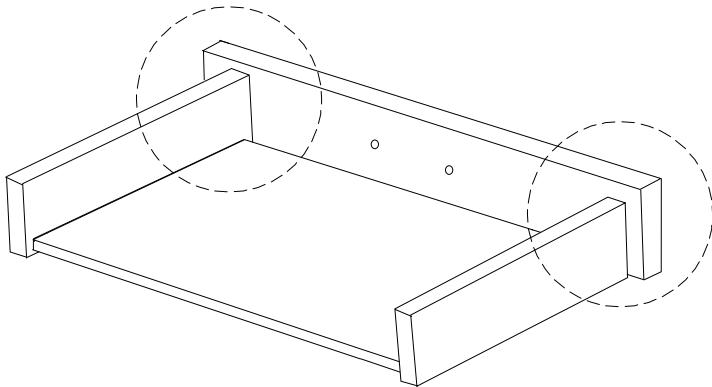
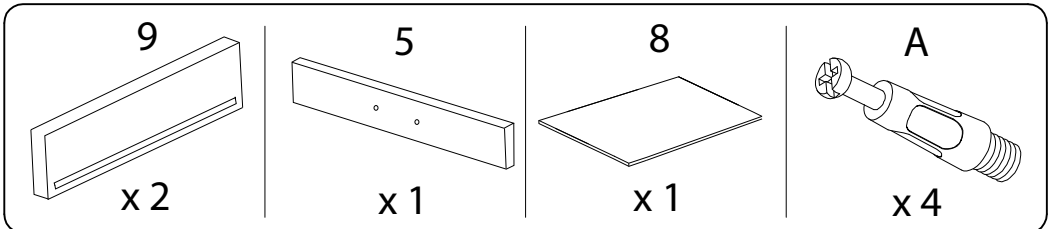
1b



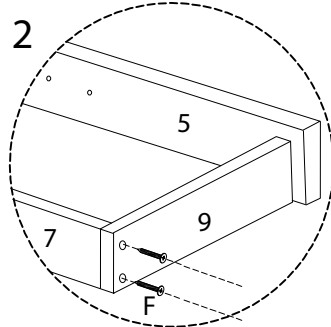
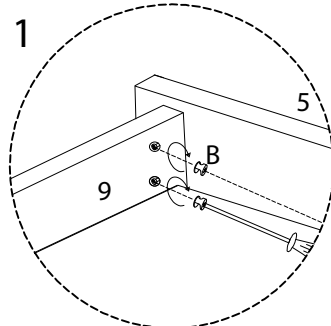
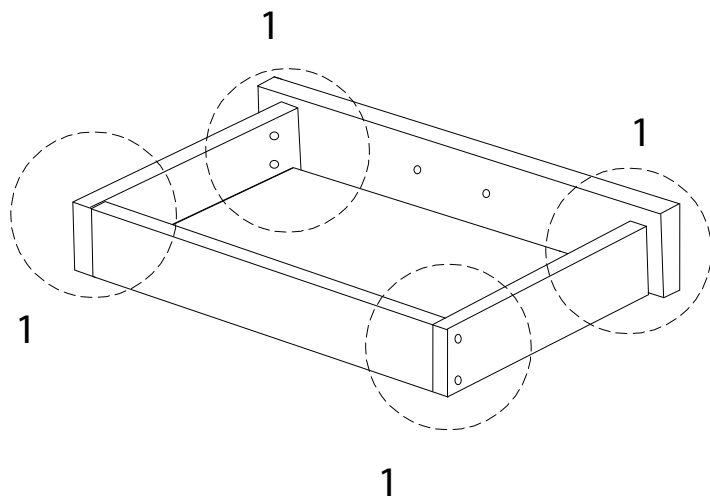
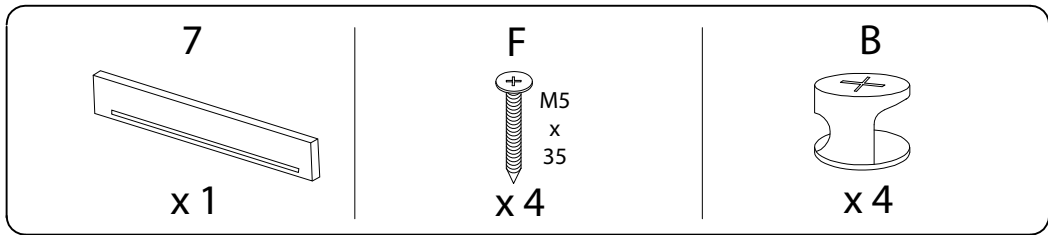
7



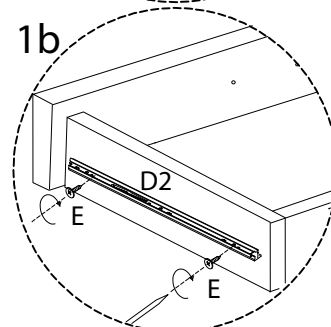
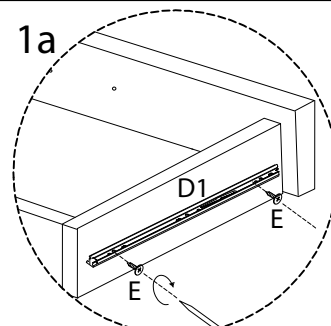
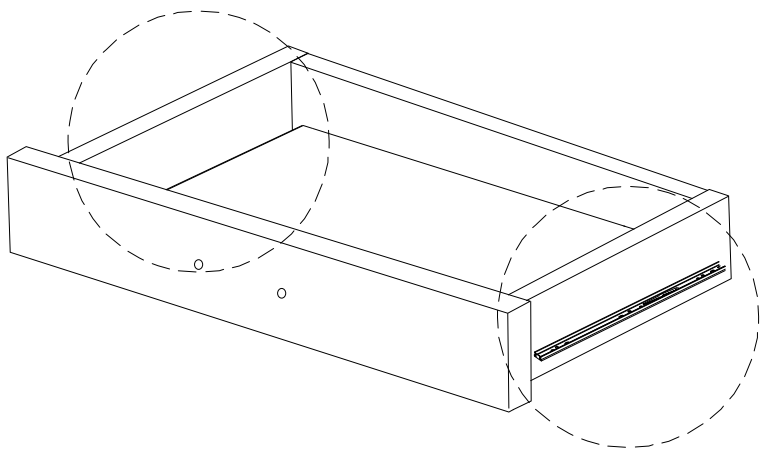
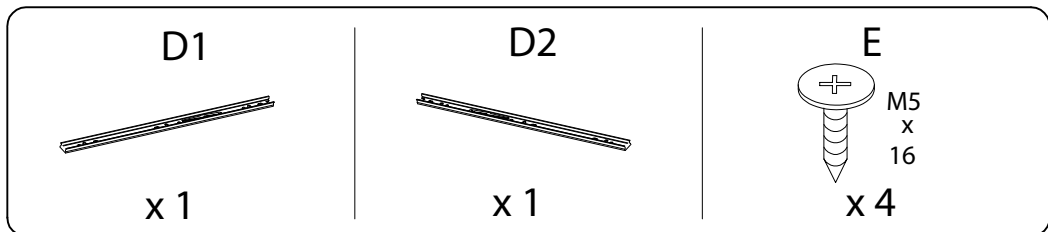
8 x 2



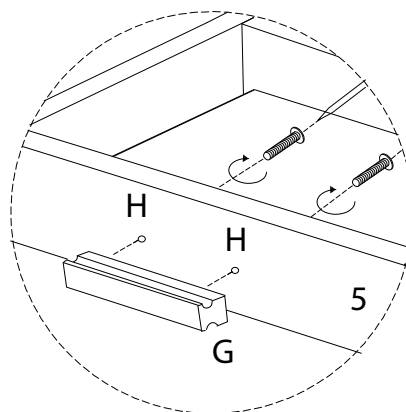
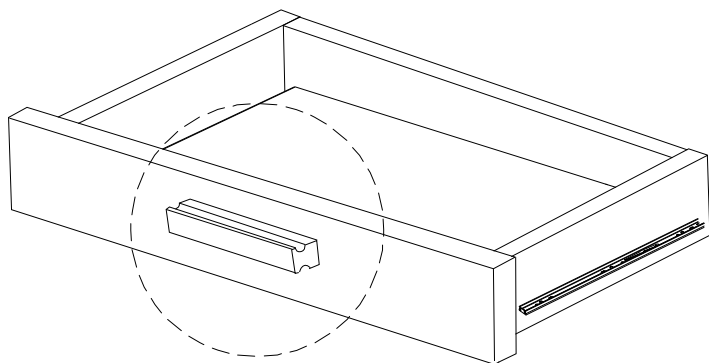
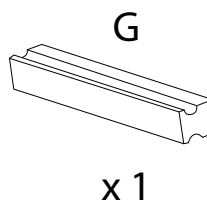
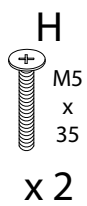
9 x2



10 x2



11 x2



12

