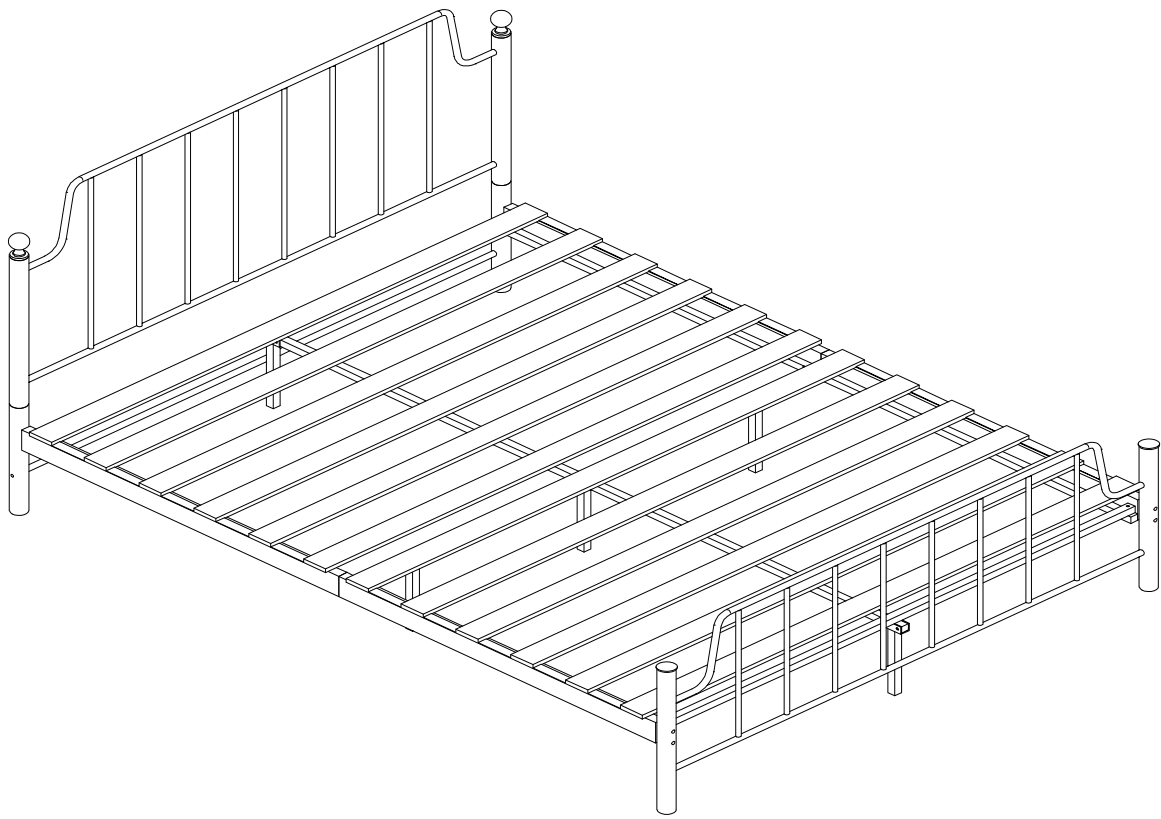
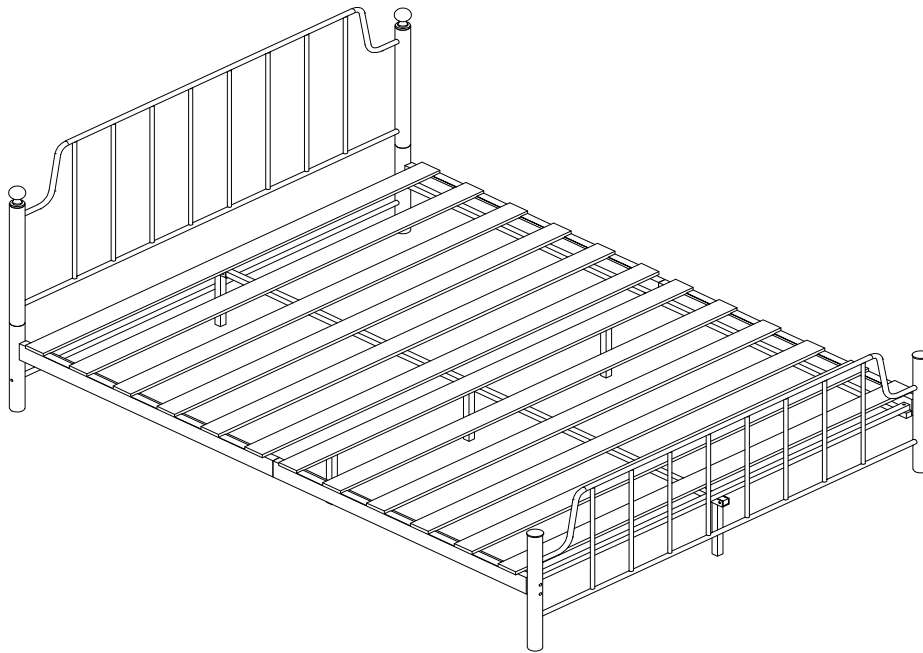
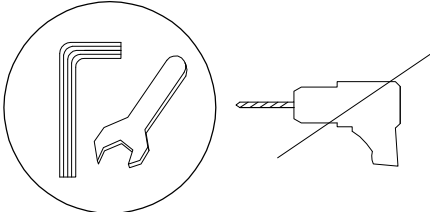

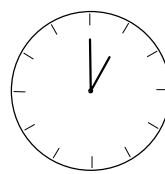
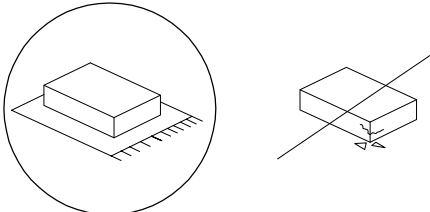

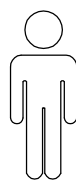
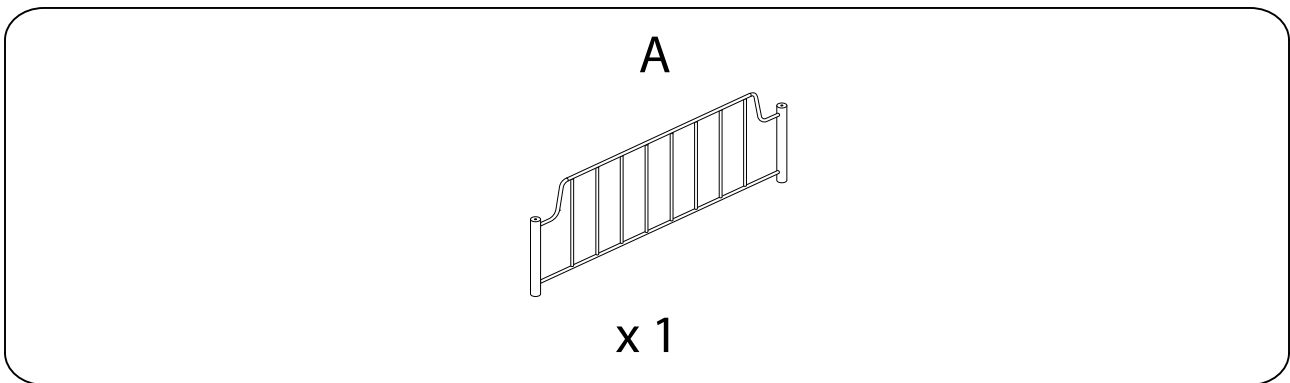
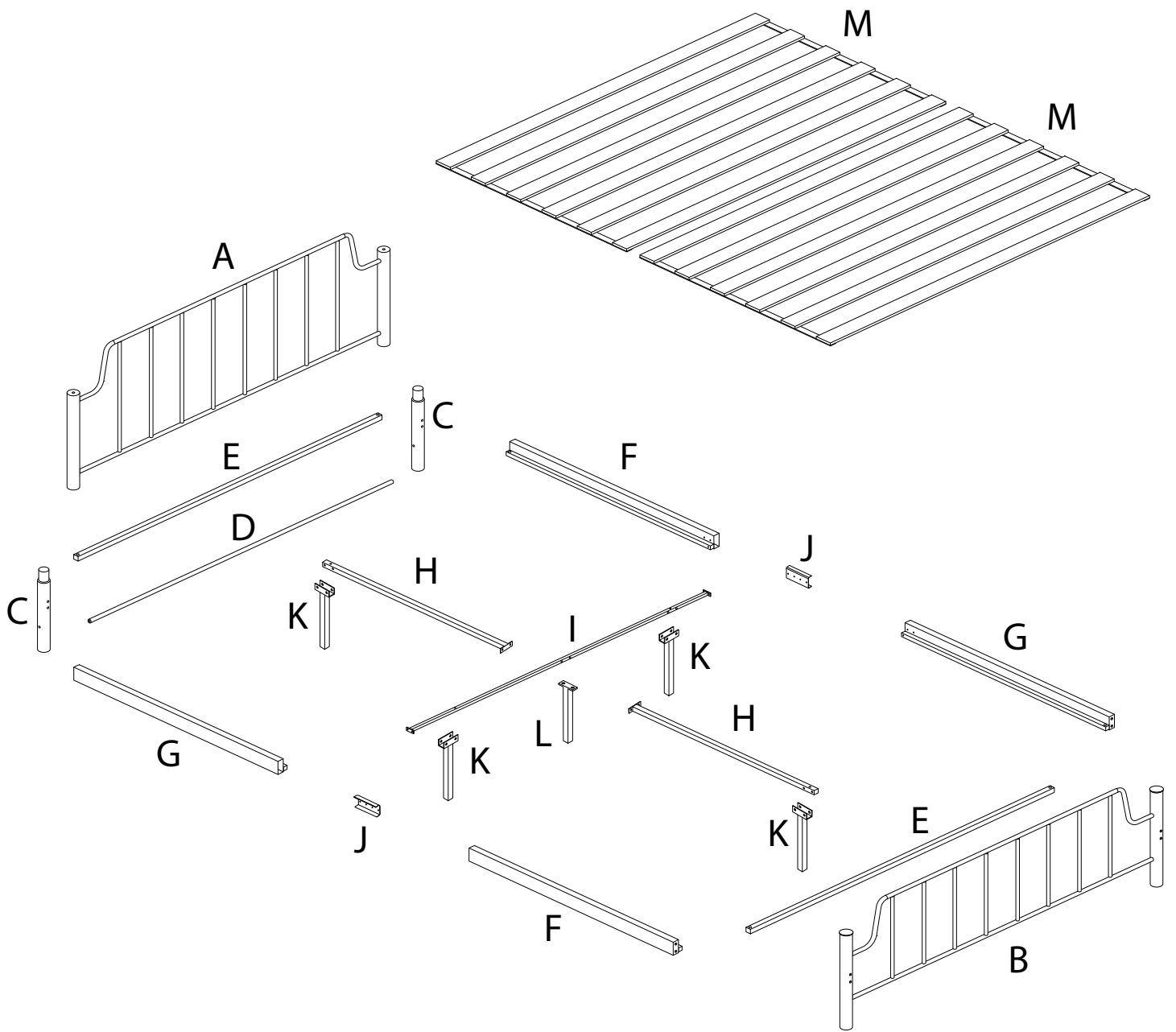


# MAURESSAC

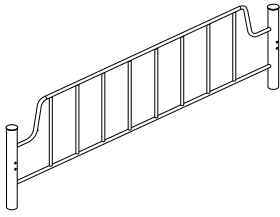




		
		<p>60'</p>
		
		<p>2</p>

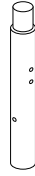


B



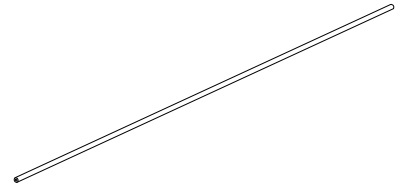
x 1

C



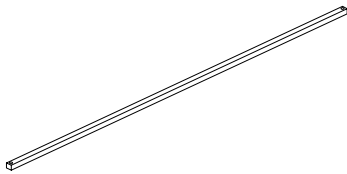
x 2

D



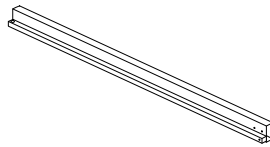
x 1

E



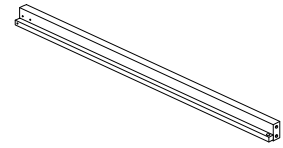
x 2

F



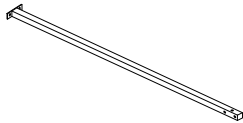
x 2

G



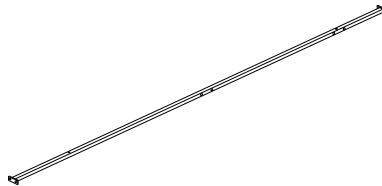
x 2

H



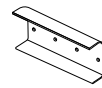
x 2

I



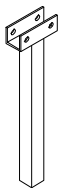
x 1

J



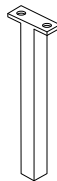
x 2

K



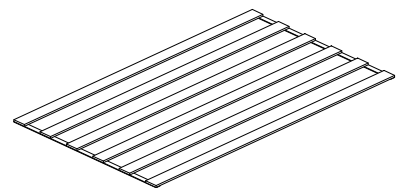
x 4

L



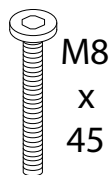
x 1

M



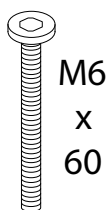
x 2

1



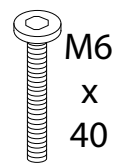
x 8

2



x 6

3



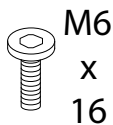
x 8

4



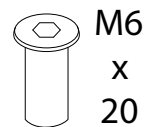
x 8

5



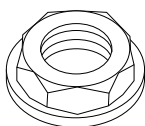
x 14

6



x 8

7



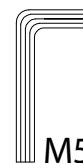
x 8

8



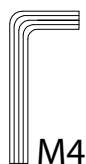
x 8

9



x 1

10



x 1

11



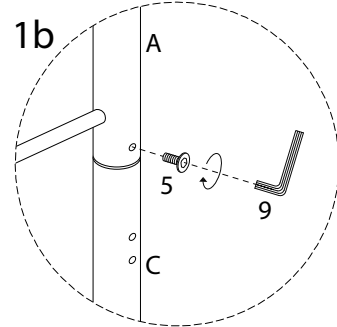
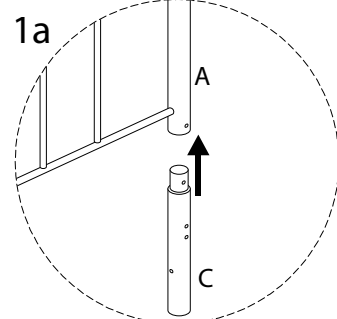
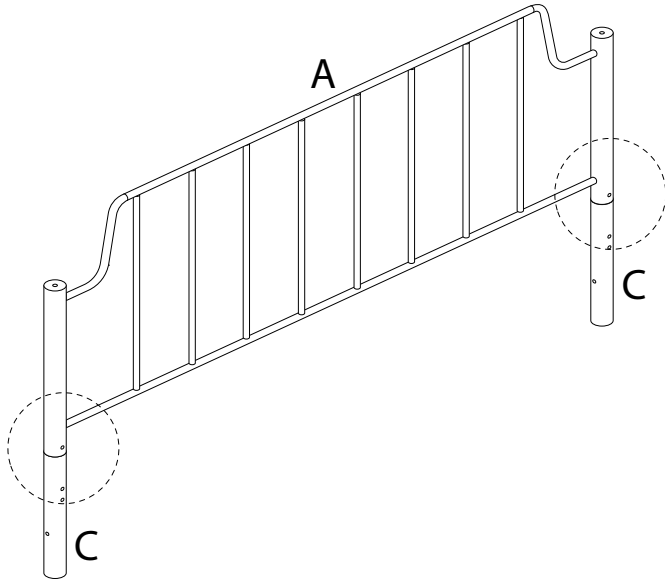
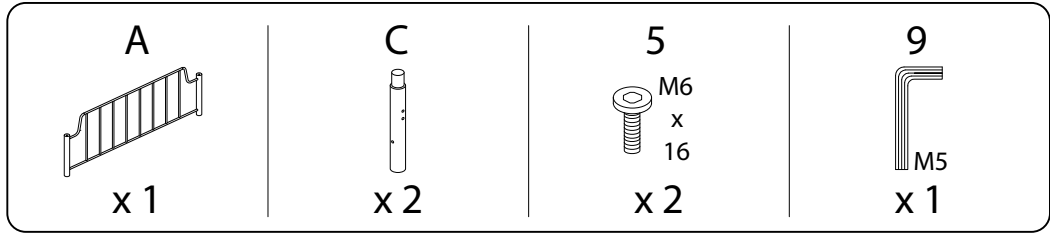
x 1

12

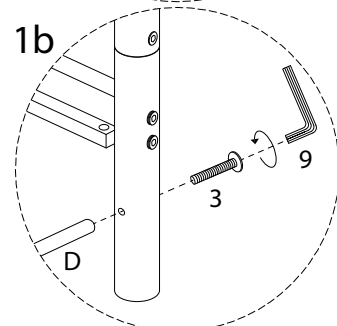
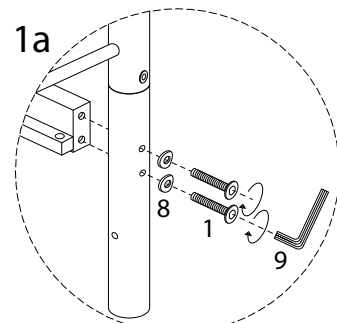
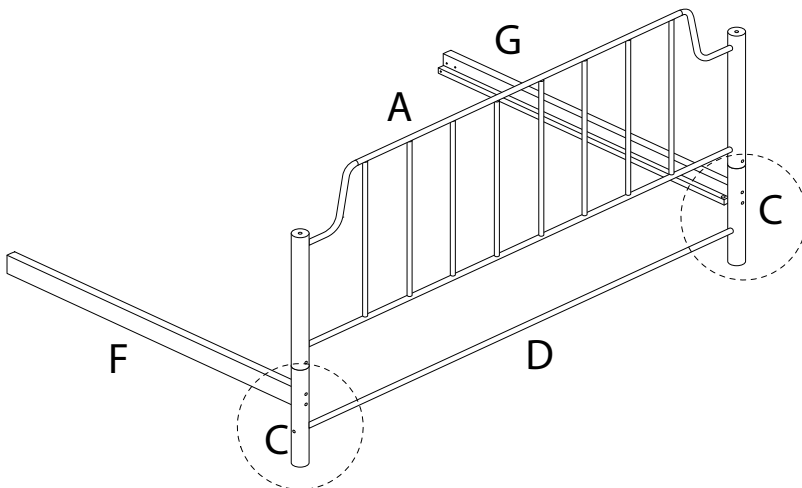
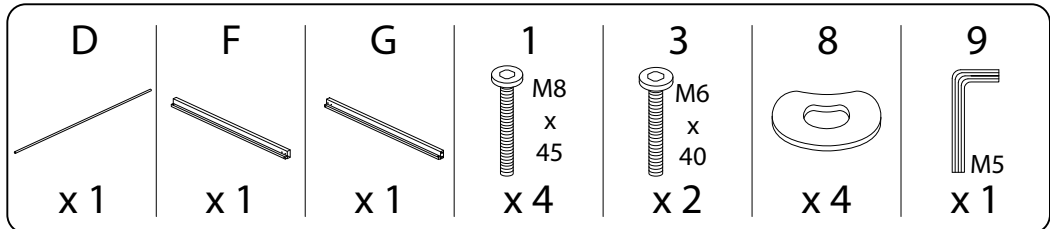


x 2

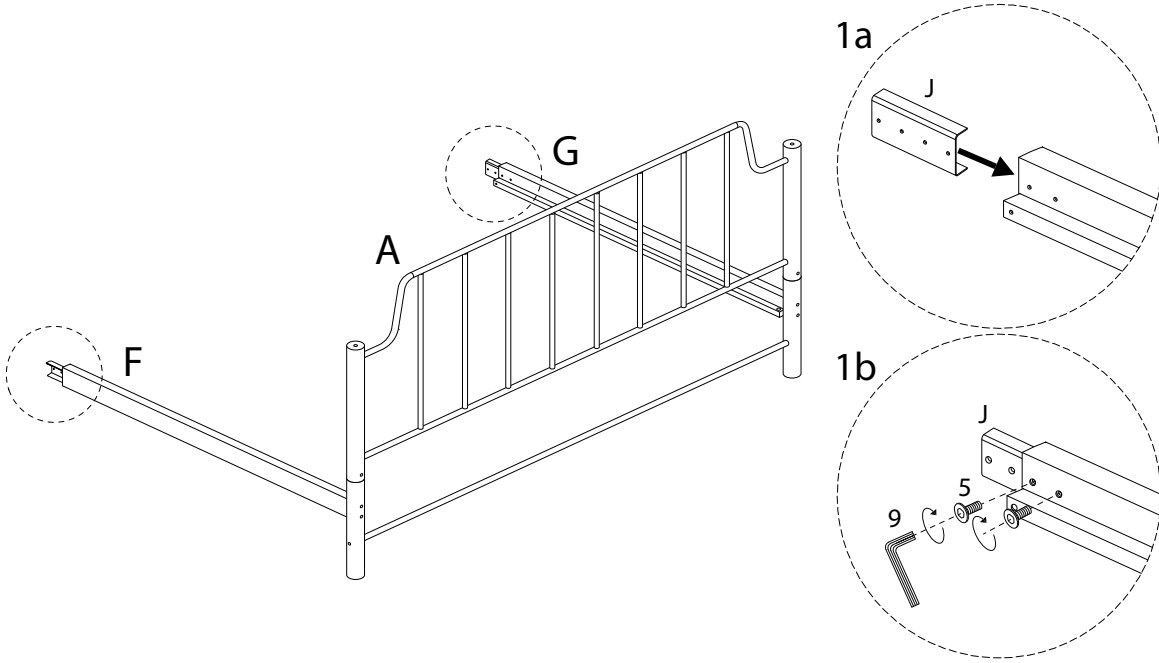
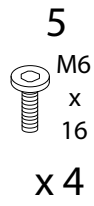
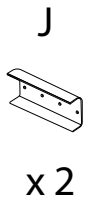
1



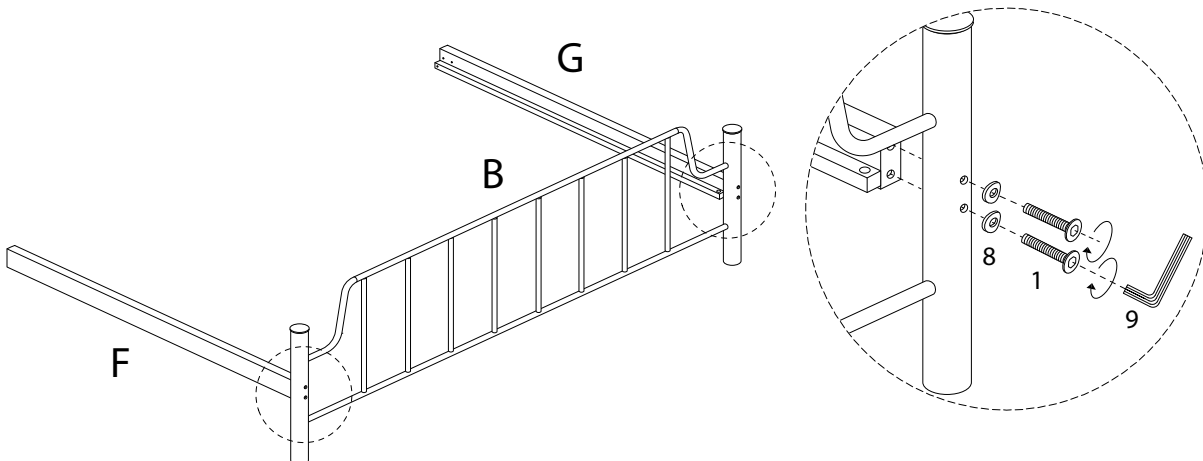
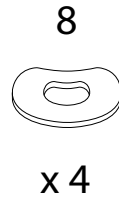
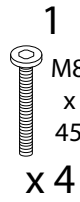
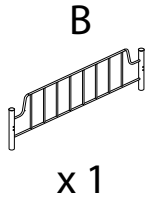
2



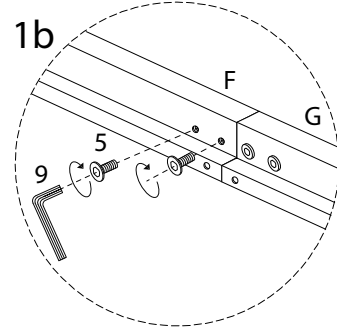
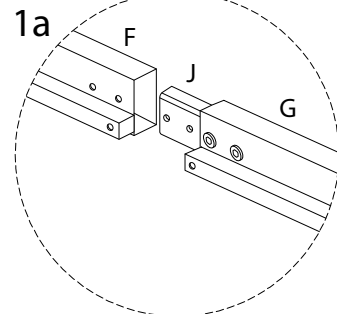
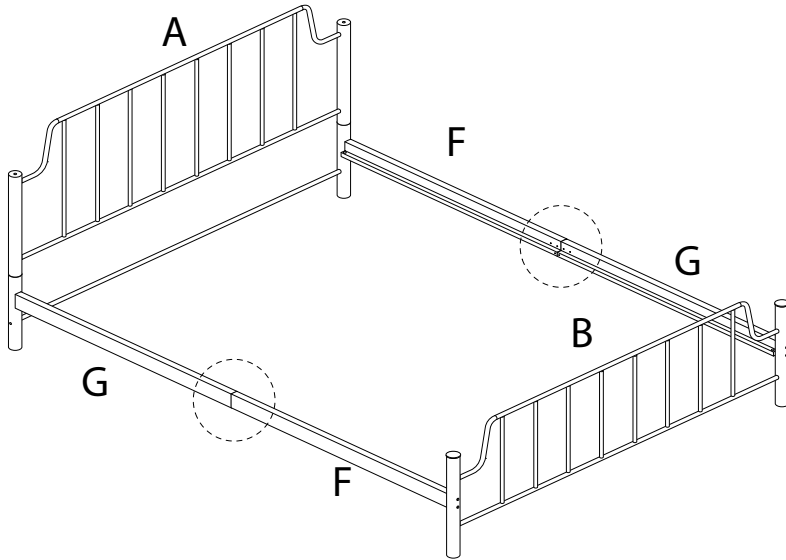
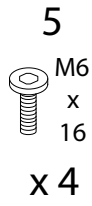
3



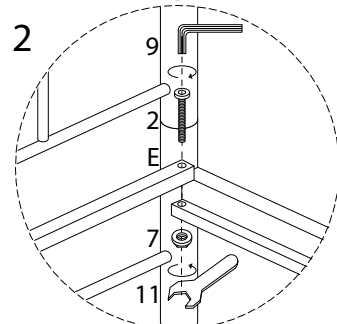
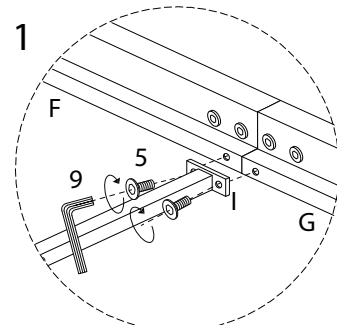
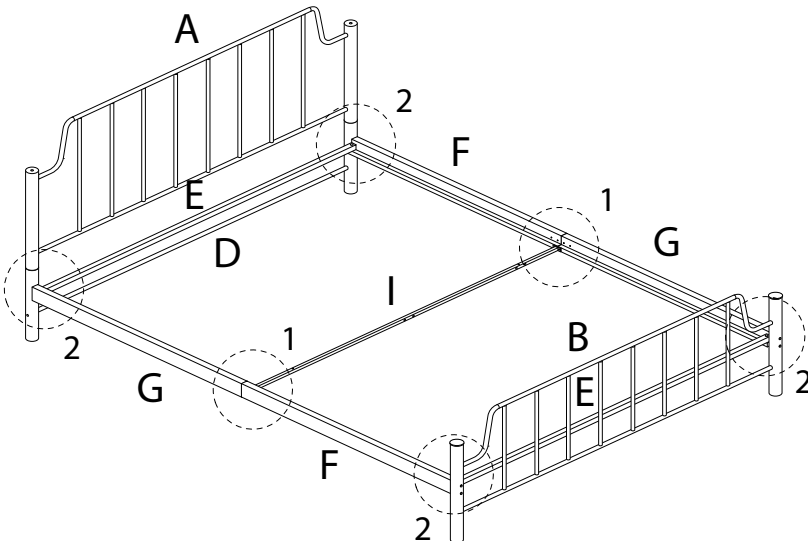
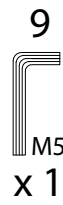
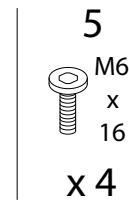
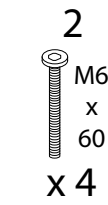
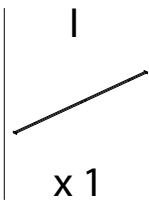
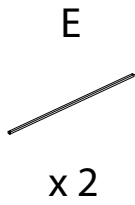
4



5


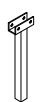

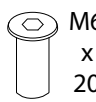
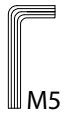
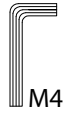


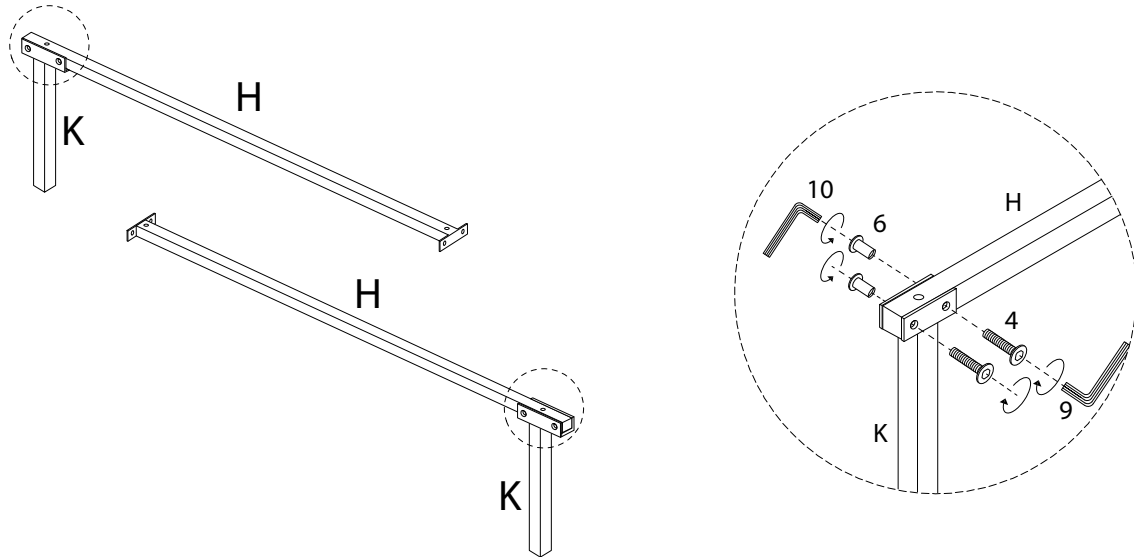
6



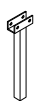
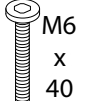

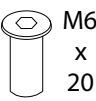




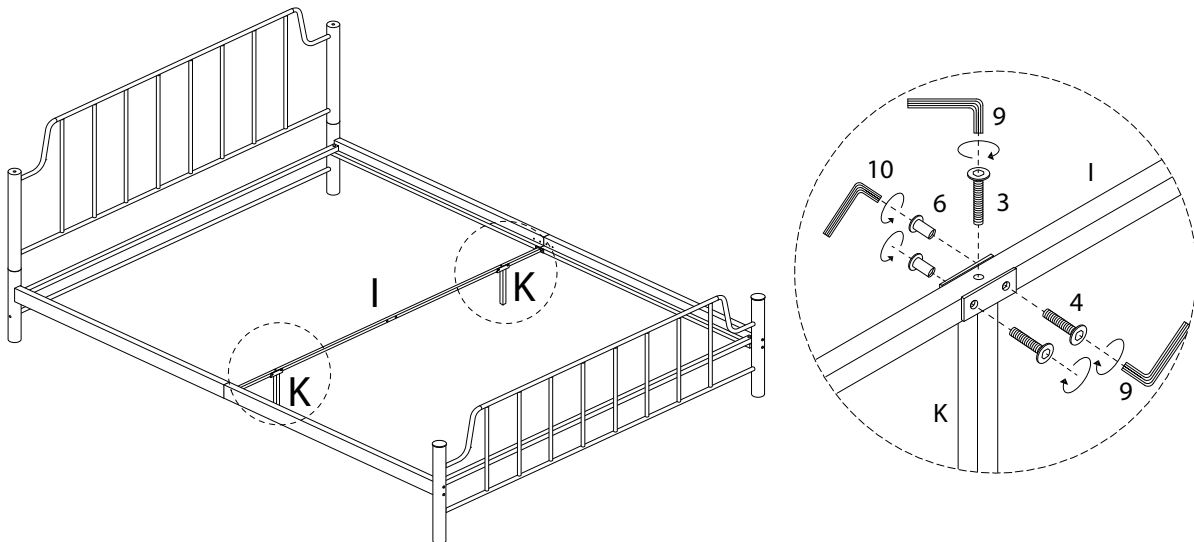
7

H  x 2	K  x 2	4  M6 x 20 x 4	6  M6 x 20 x 4	9  M5 x 1	10  M4 x 1
---	---	--	---	--	---


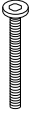
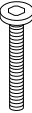

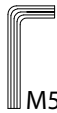



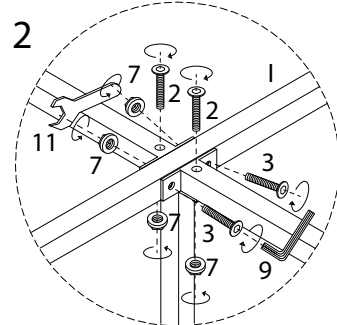
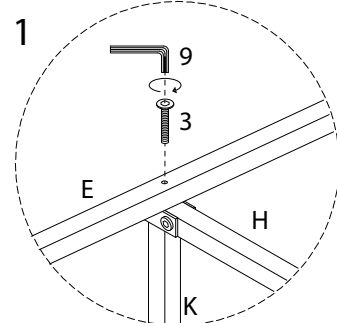
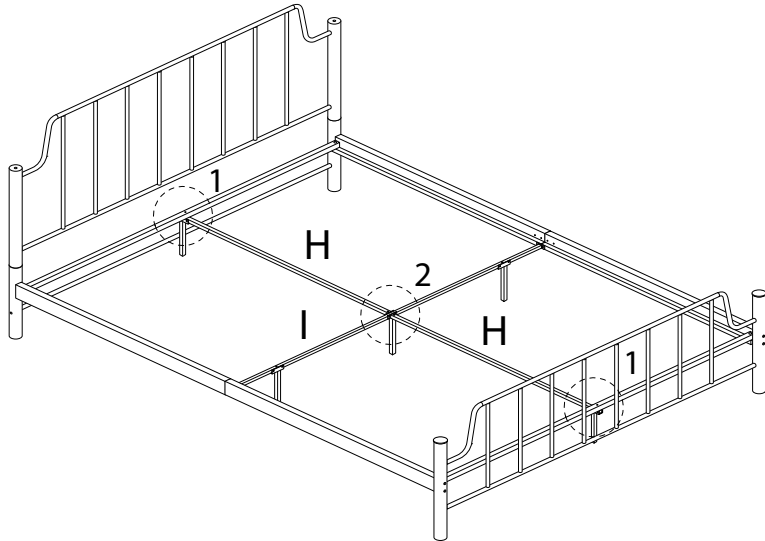
8

K  x 2	3  M6 x 40 x 2	4  M6 x 20 x 4	6  M6 x 20 x 4	9  M5 x 1	10  M4 x 1
---	--	--	---	--	---



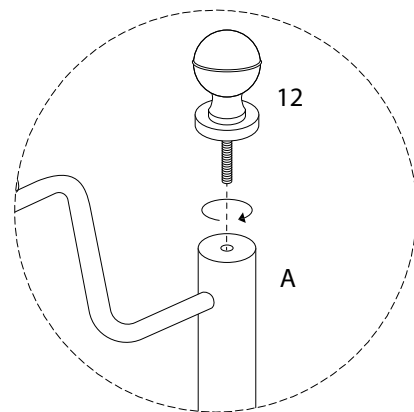
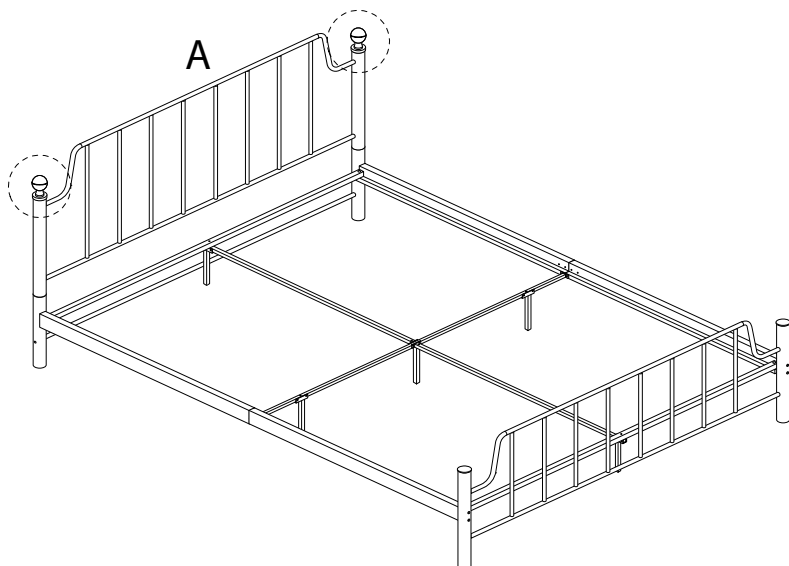
9

 L x 1	 2 M6 x 60 x 2	 3 M6 x 40 x 4	 7 x 4	 9 M5 x 1	 11 x 1
---	--	--	--	---	--



10

12  
  
x 2



11

