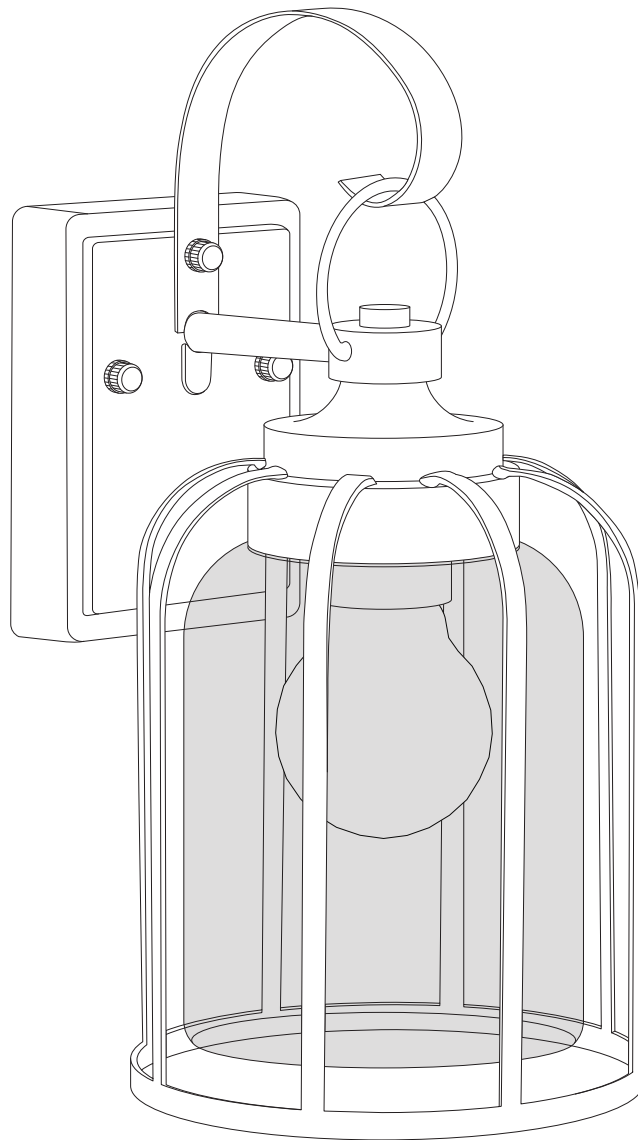
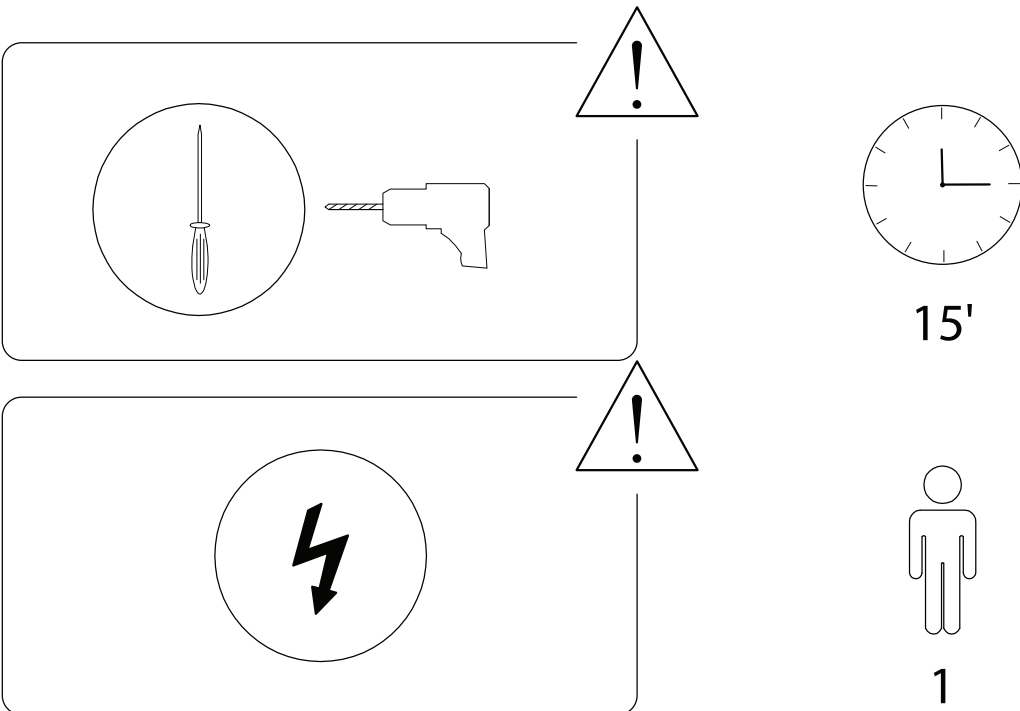
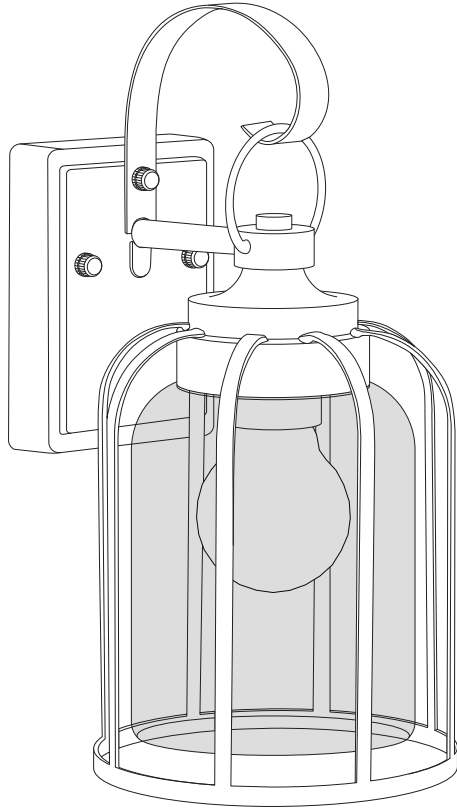


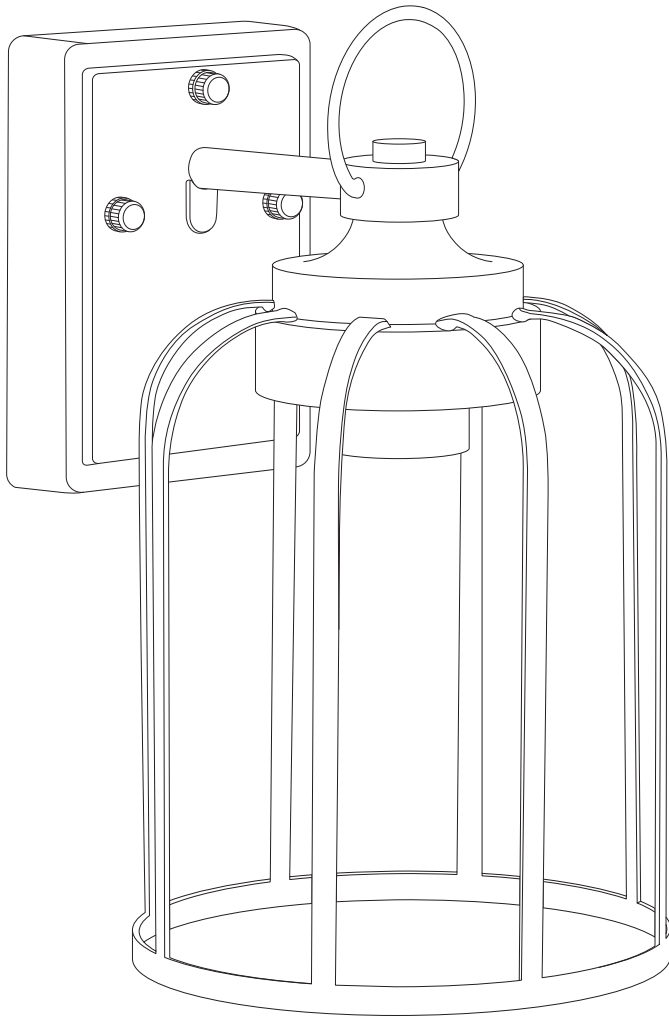
WOOLER



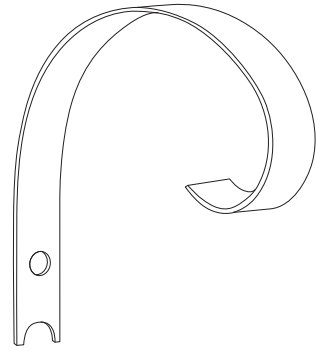


1/5

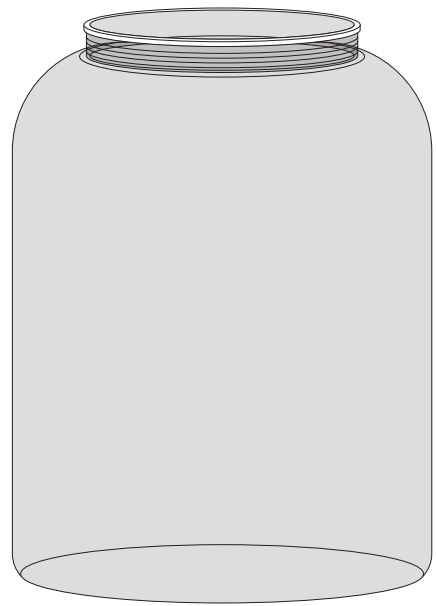
A



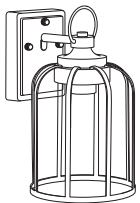
B



C

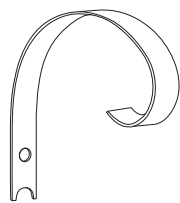


A



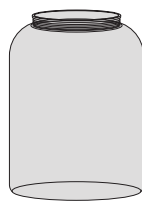
x 1

B



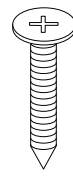
x 1

C



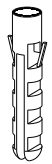
x 1

D



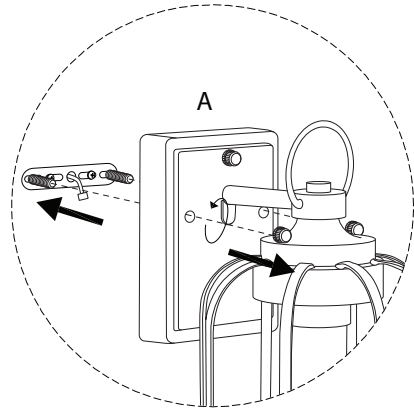
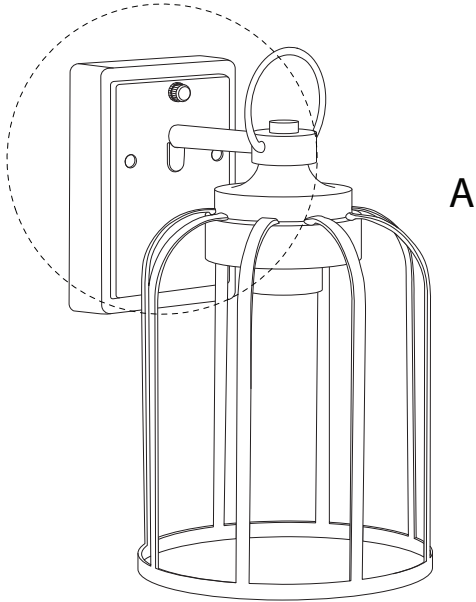
x 2

E

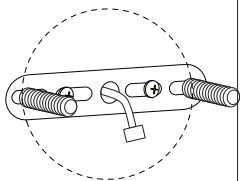


x 2

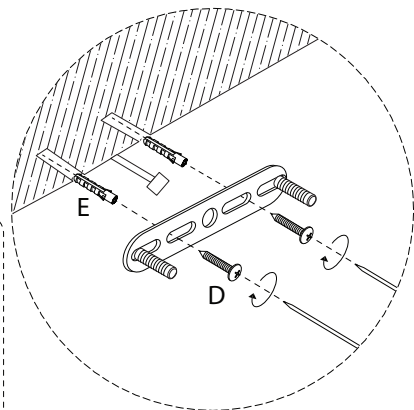
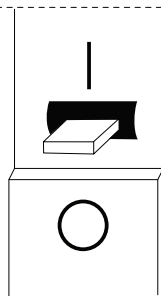
1



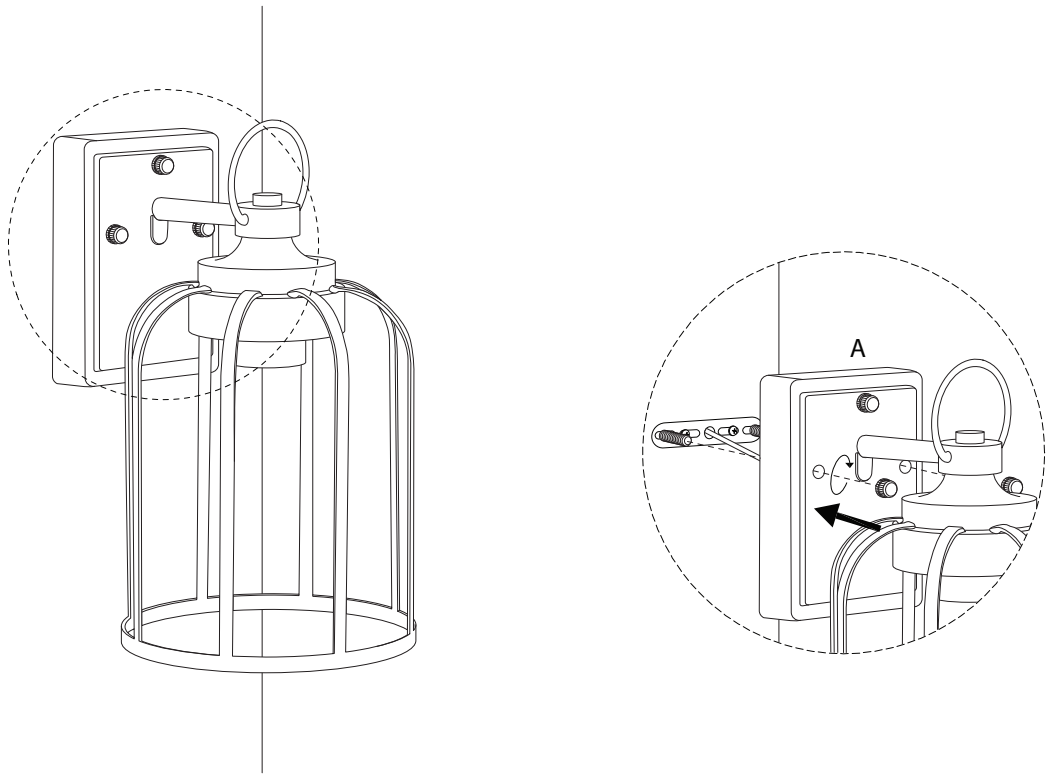
2



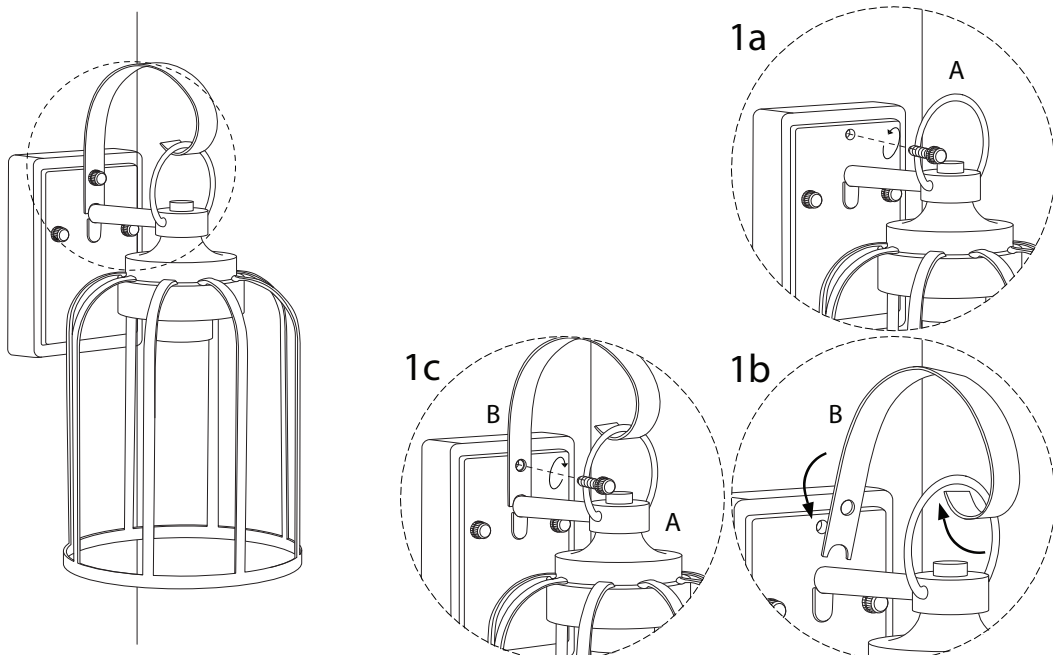
OFF



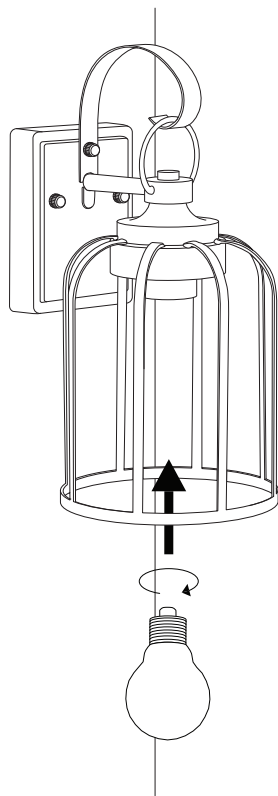
3



4



5



6

