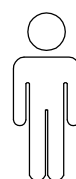
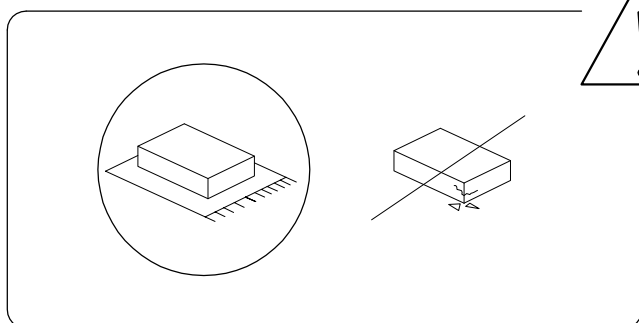
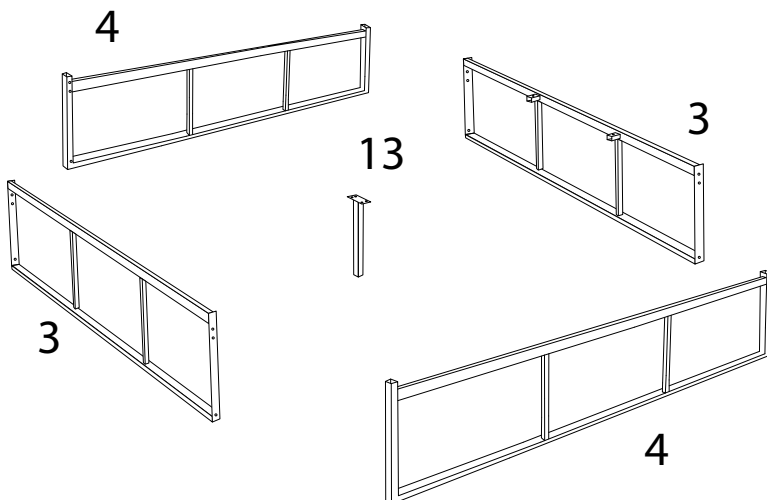
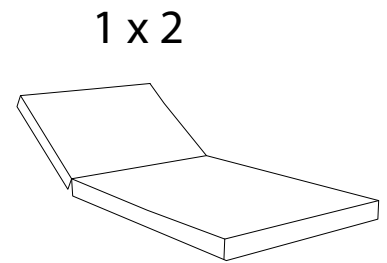
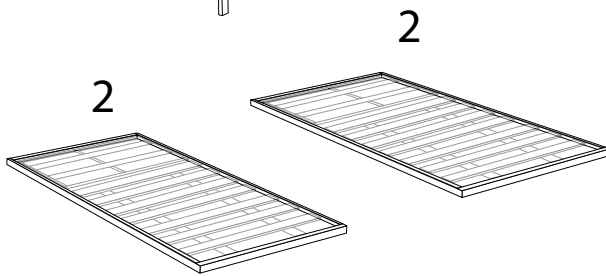
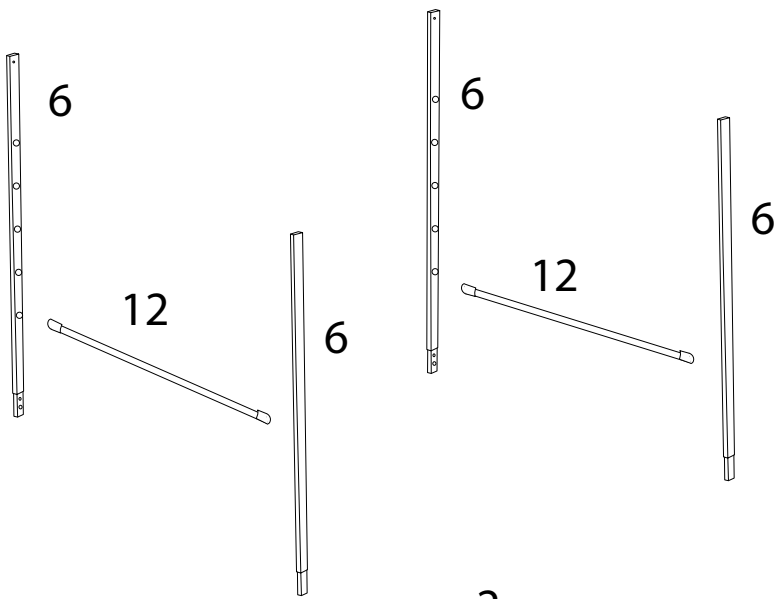
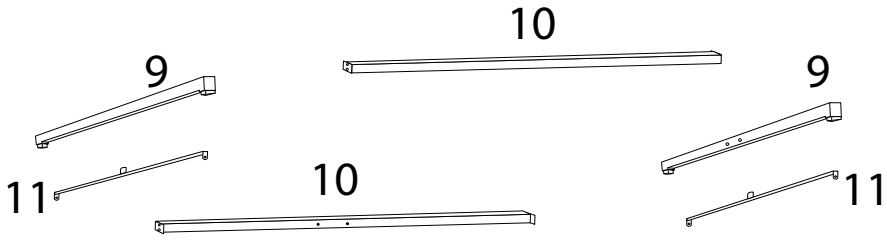
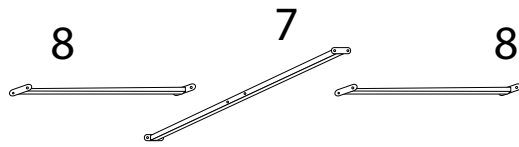


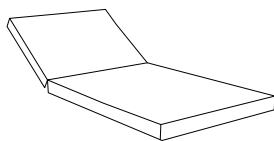
60'



2

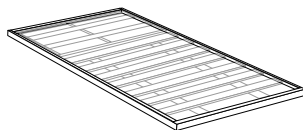


1



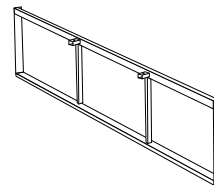
x 2

2



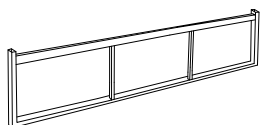
x 2

3



x 2

4



x 2

5



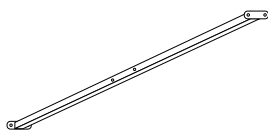
x 2

6



x 4

7



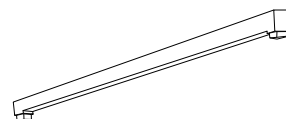
x 1

8



x 2

9



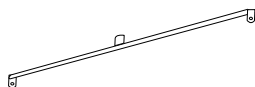
x 2

10



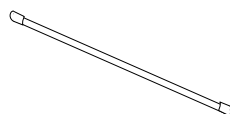
x 2

11



x 2

12



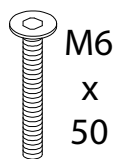
x 2

13



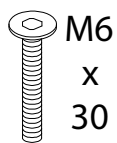
x 1

A



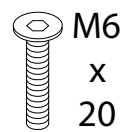
x 2

B



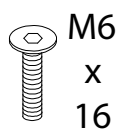
x 16

C



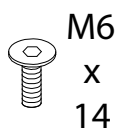
x 8

D



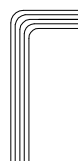
x 24

E



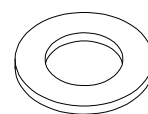
x 4

F



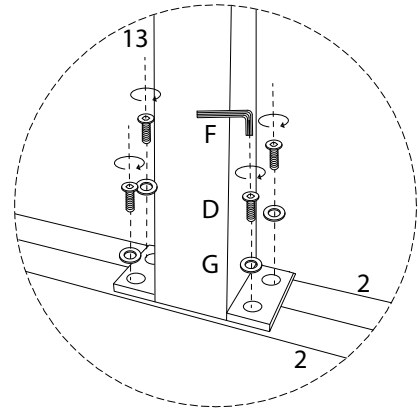
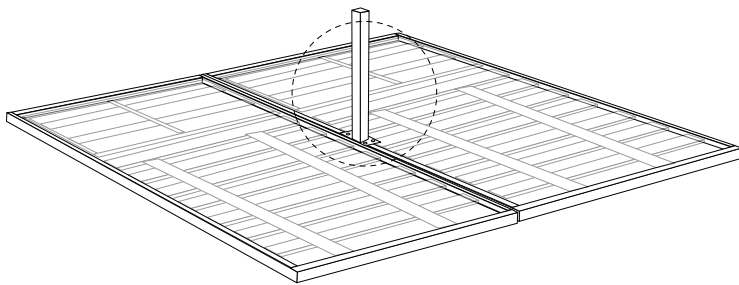
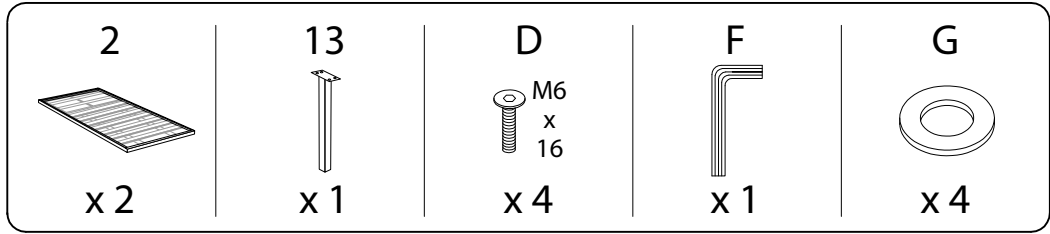
x 1

G

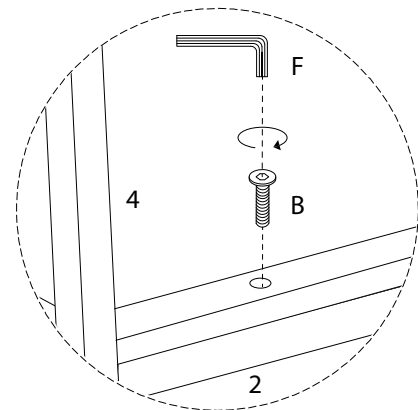
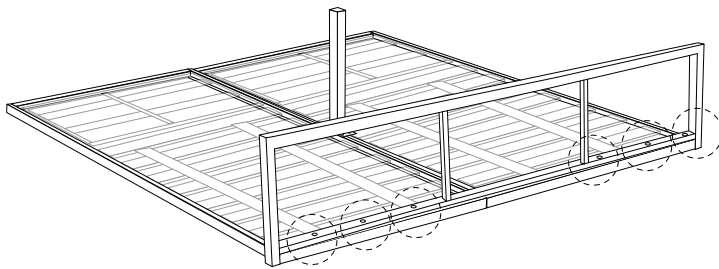
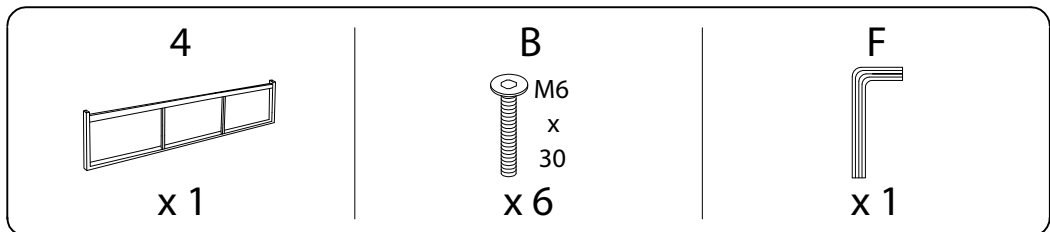


x 34

1

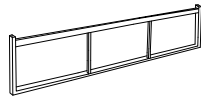


2



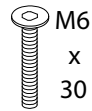
3

4



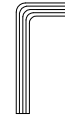
x 1

B

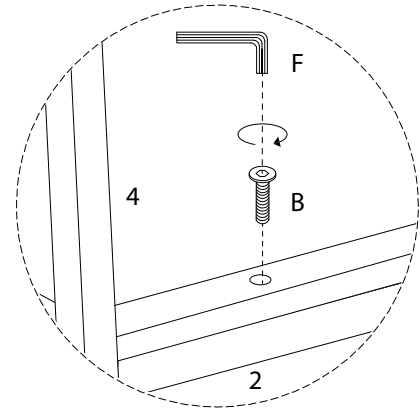
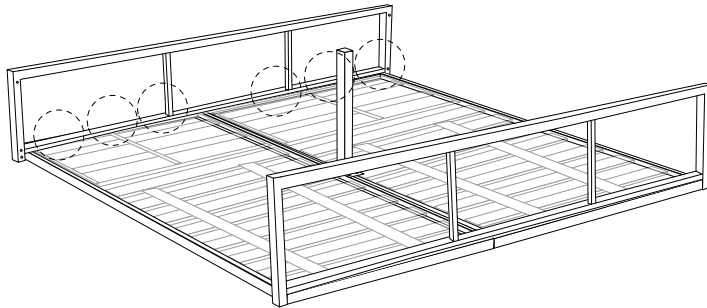


x 6

F

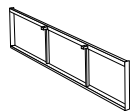


x 1



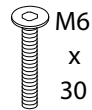
4

3



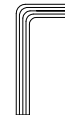
x 1

B

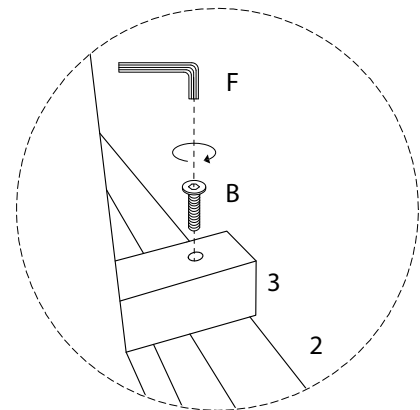
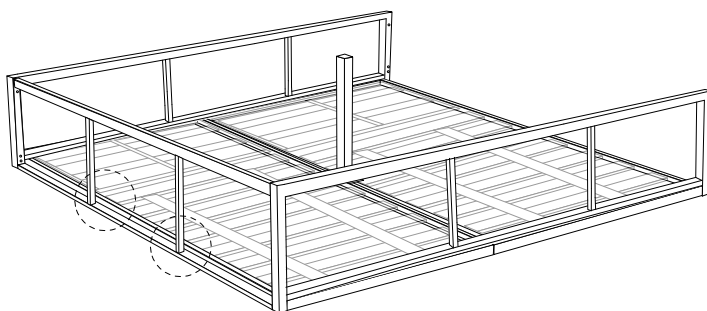


x 2

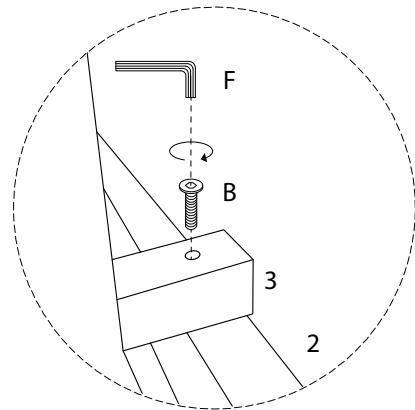
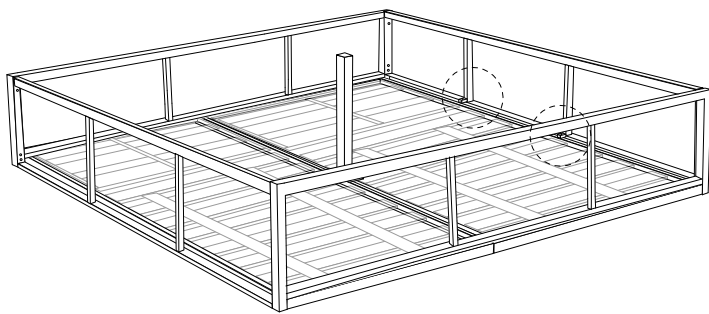
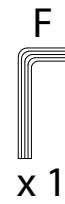
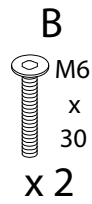
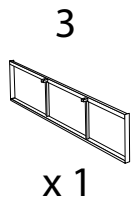
F



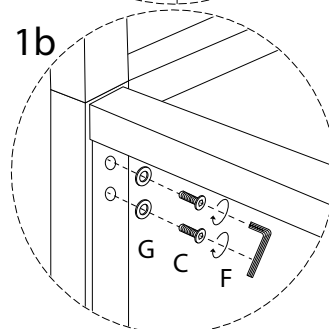
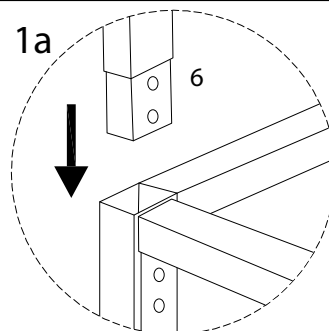
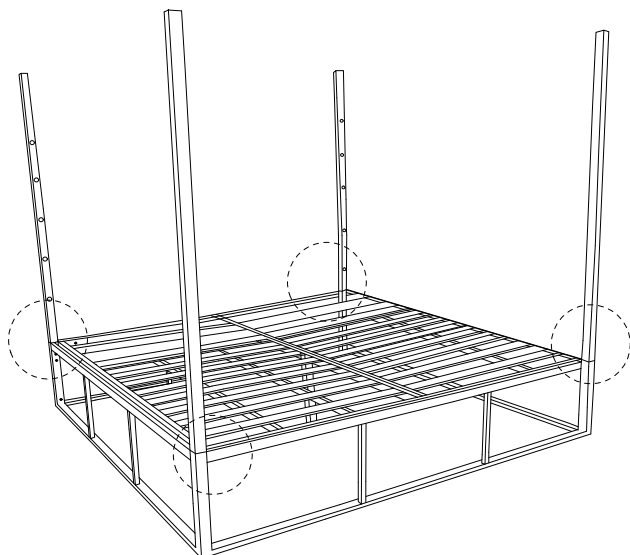
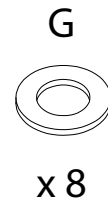
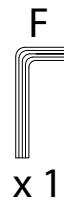
x 1



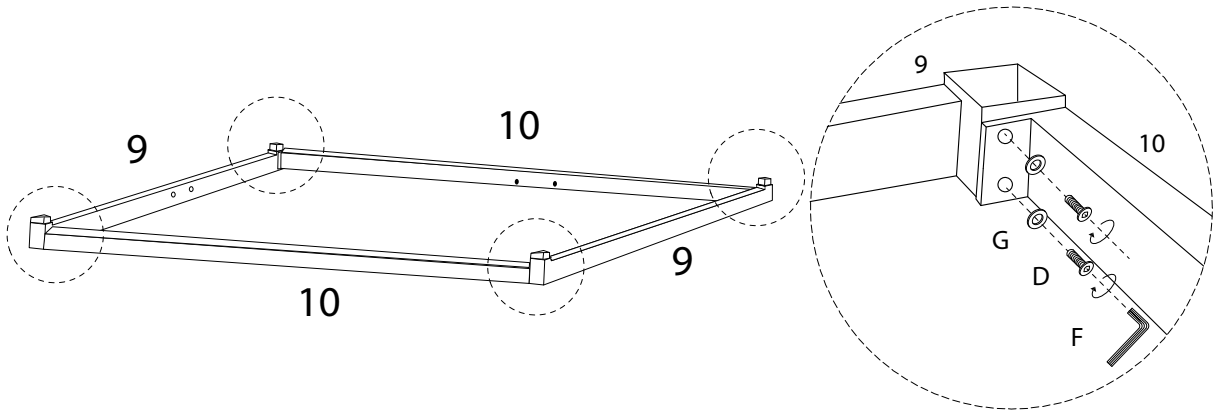
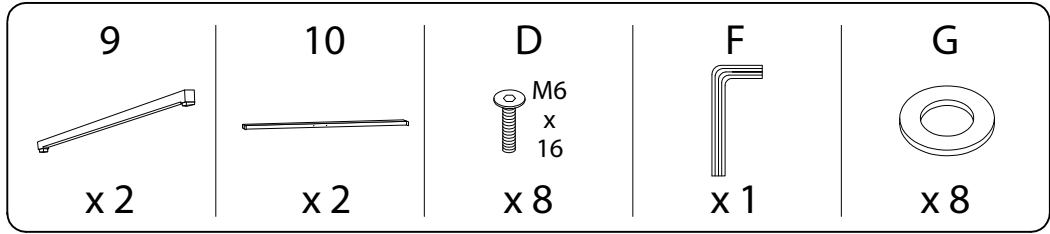
5



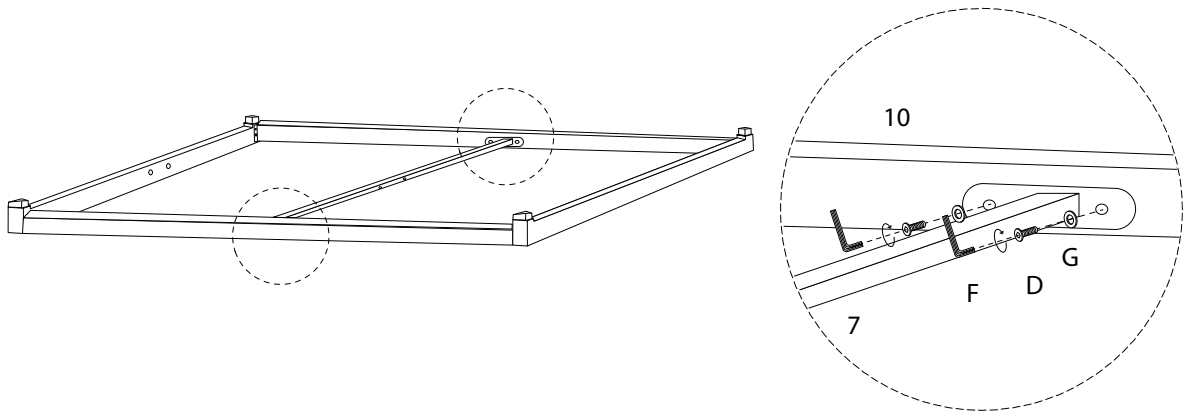
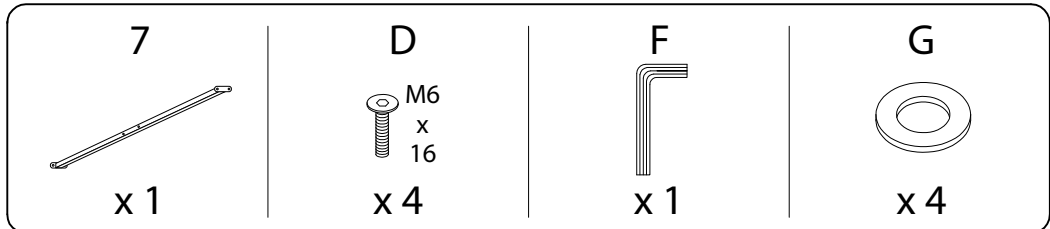
6



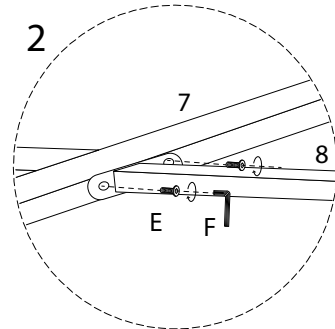
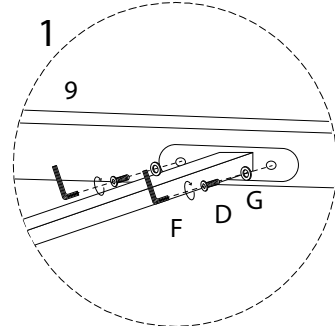
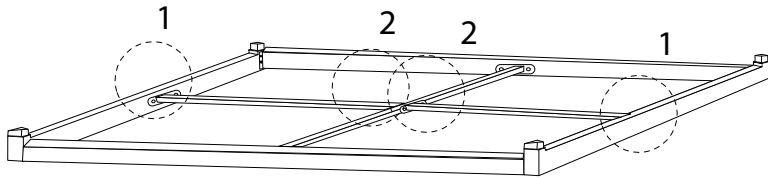
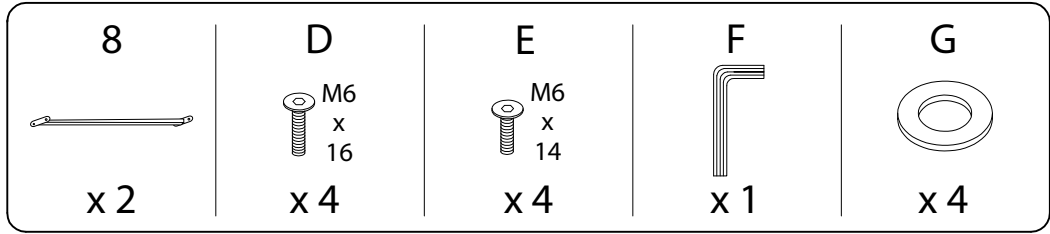
7



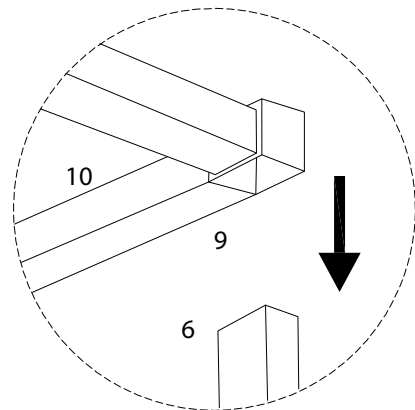
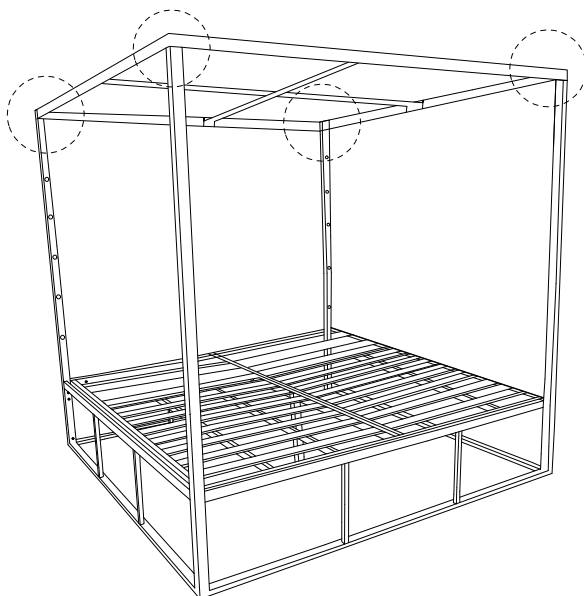
8



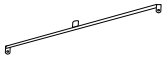
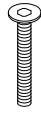

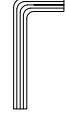
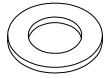
9

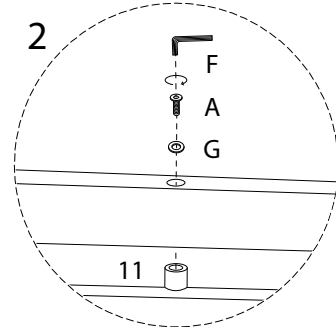
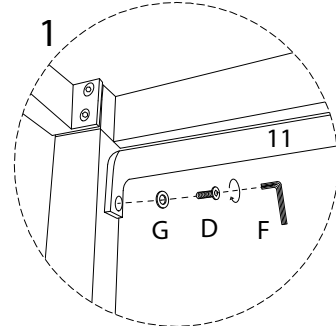
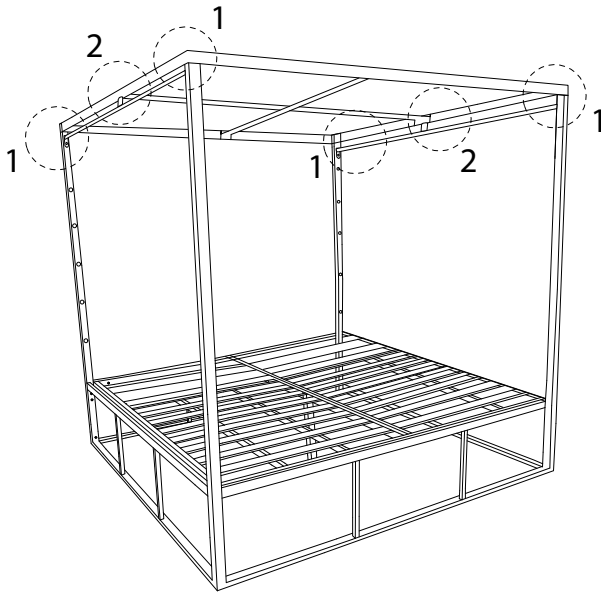


10

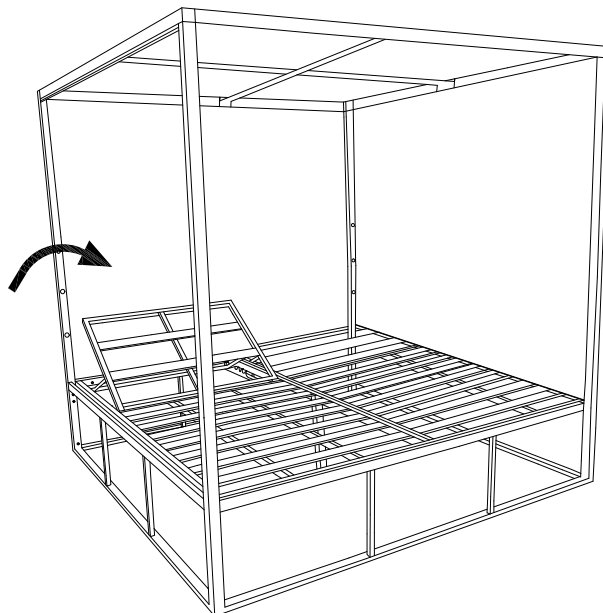


11

11  x 2	A  M6 x 50 x 2	D  M6 x 16 x 4	F  x 1	G  x 6
--	---	---	---	---

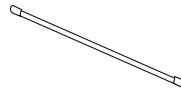


!

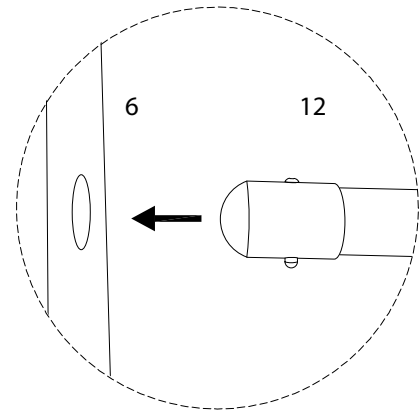
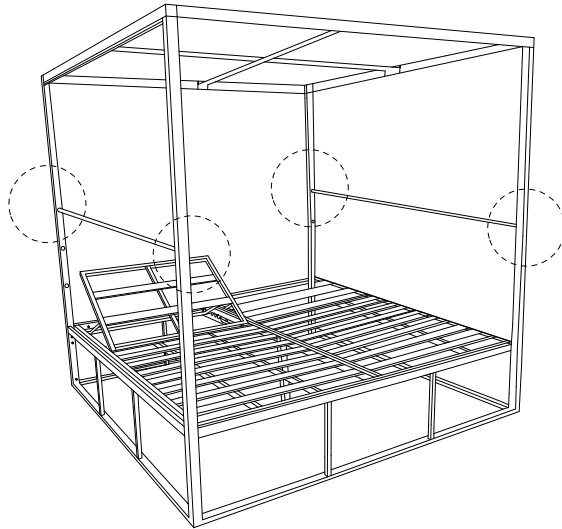


12

12

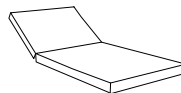


x 2

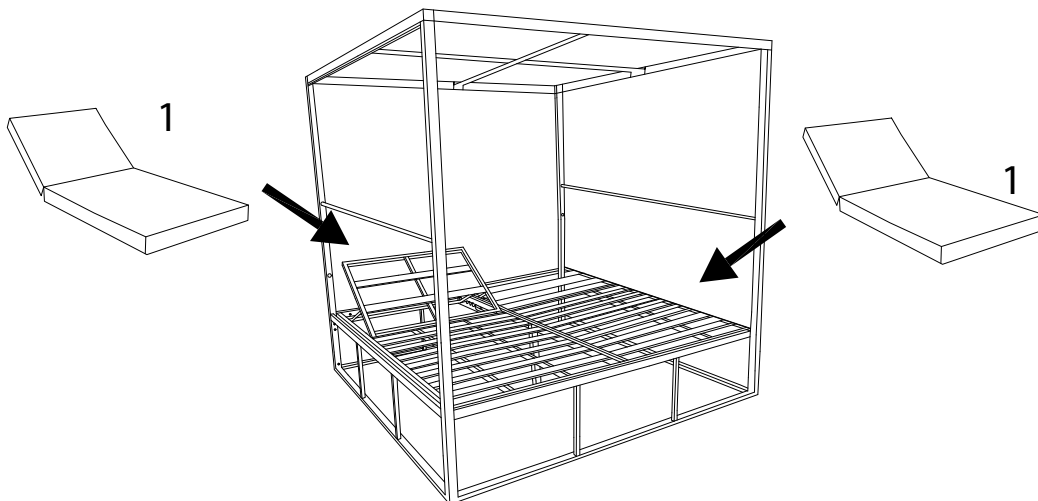


13

1



x 2



14

5



x 2

