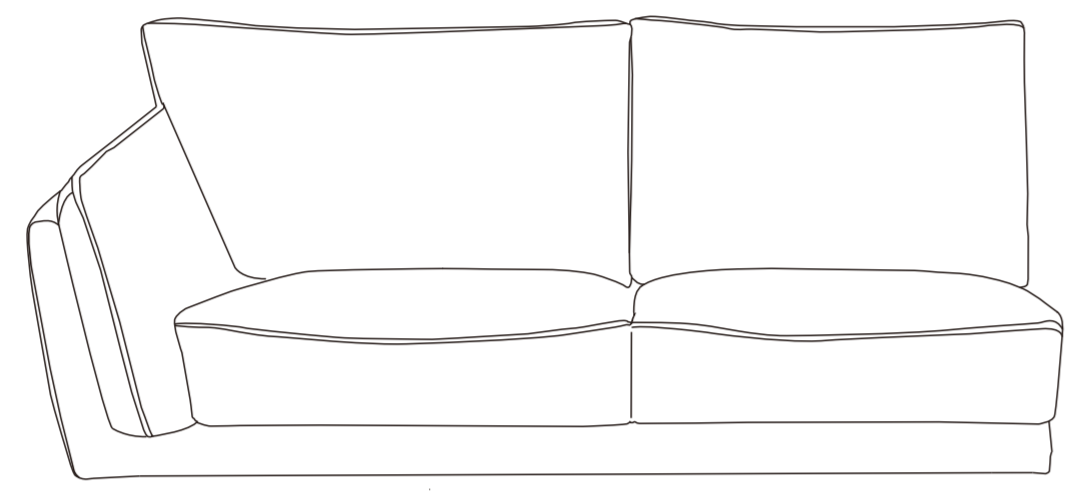


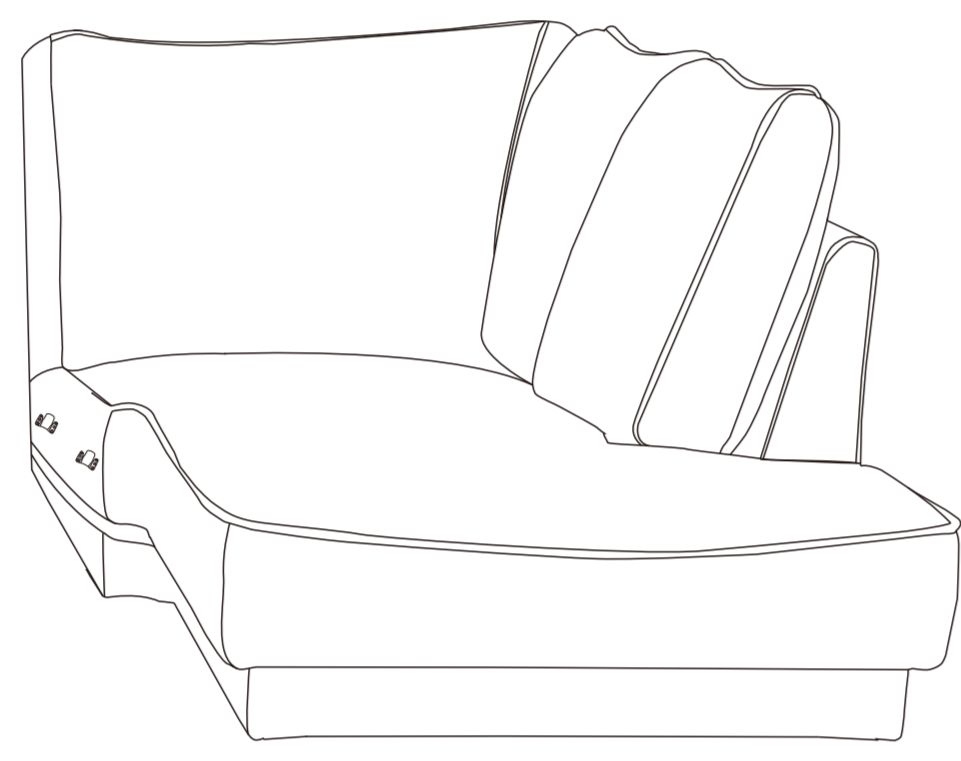
PARTS AND HARDWARE

A



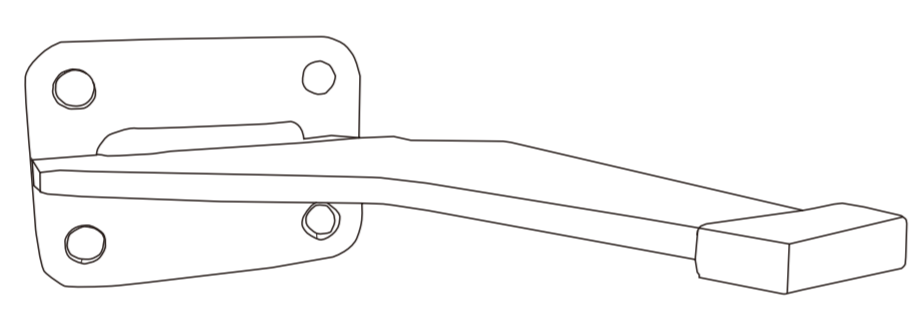
1x

B



1x

C



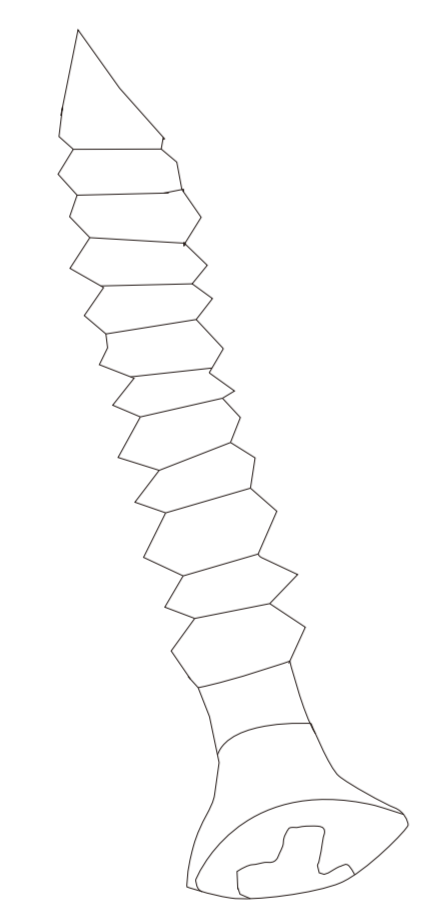
8x

D



4x

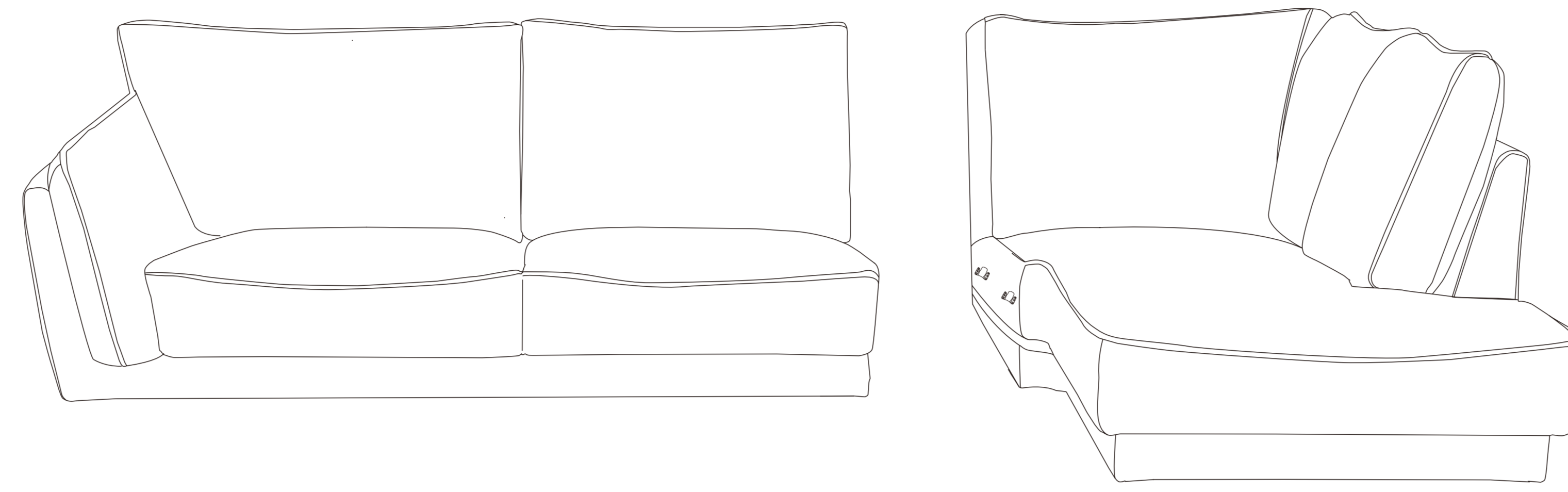
E



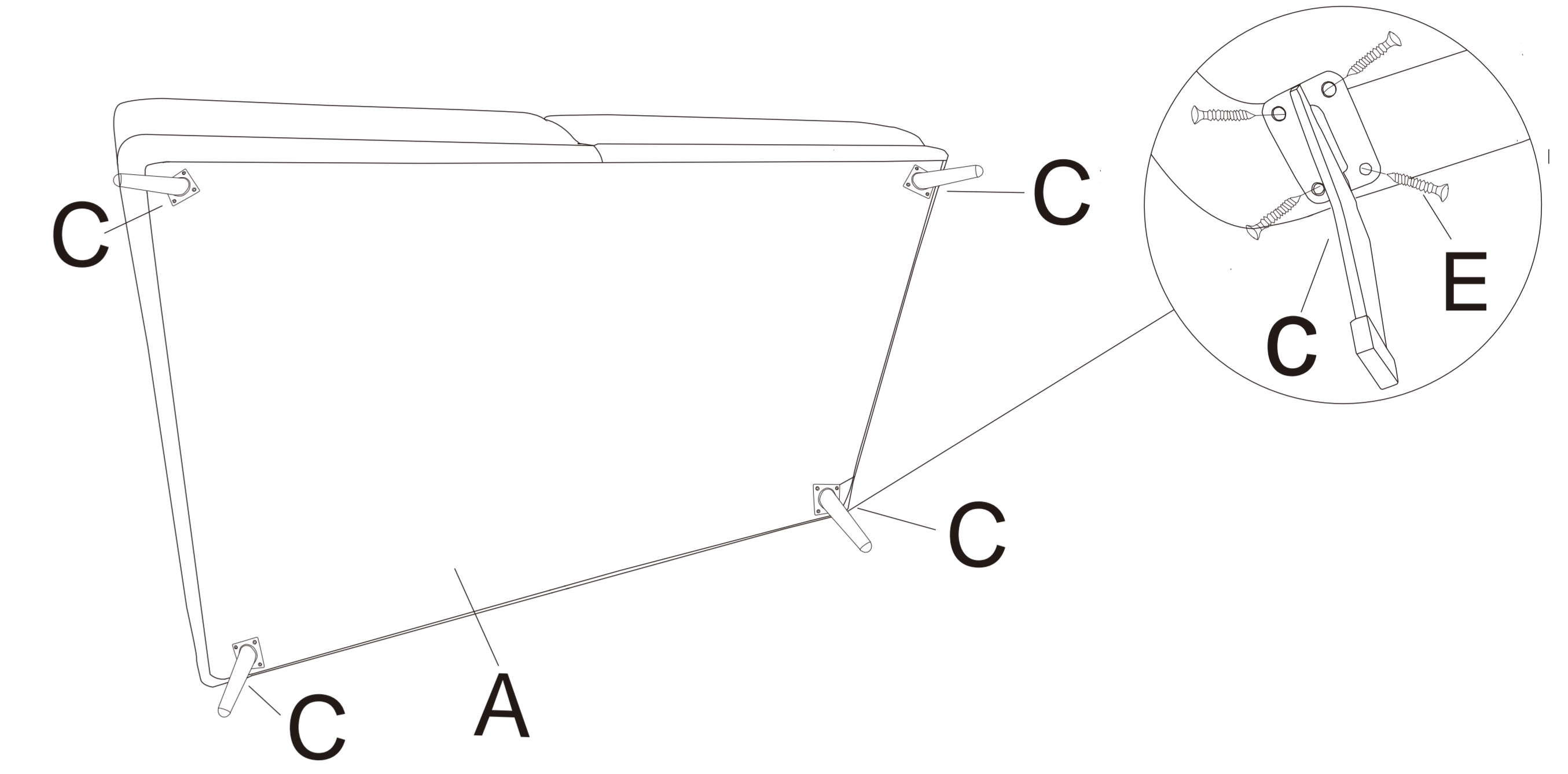
MM10*40

56x

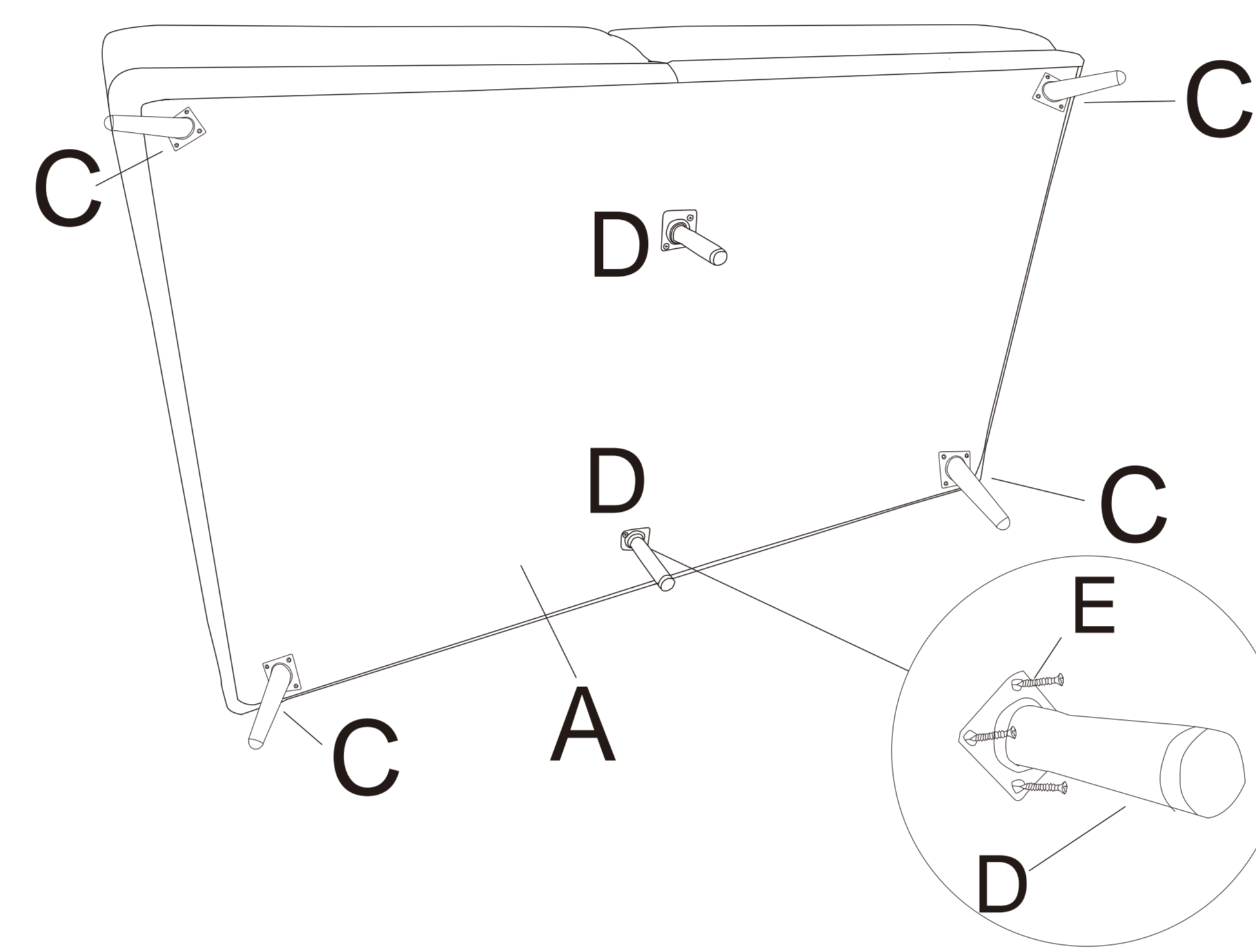
step1



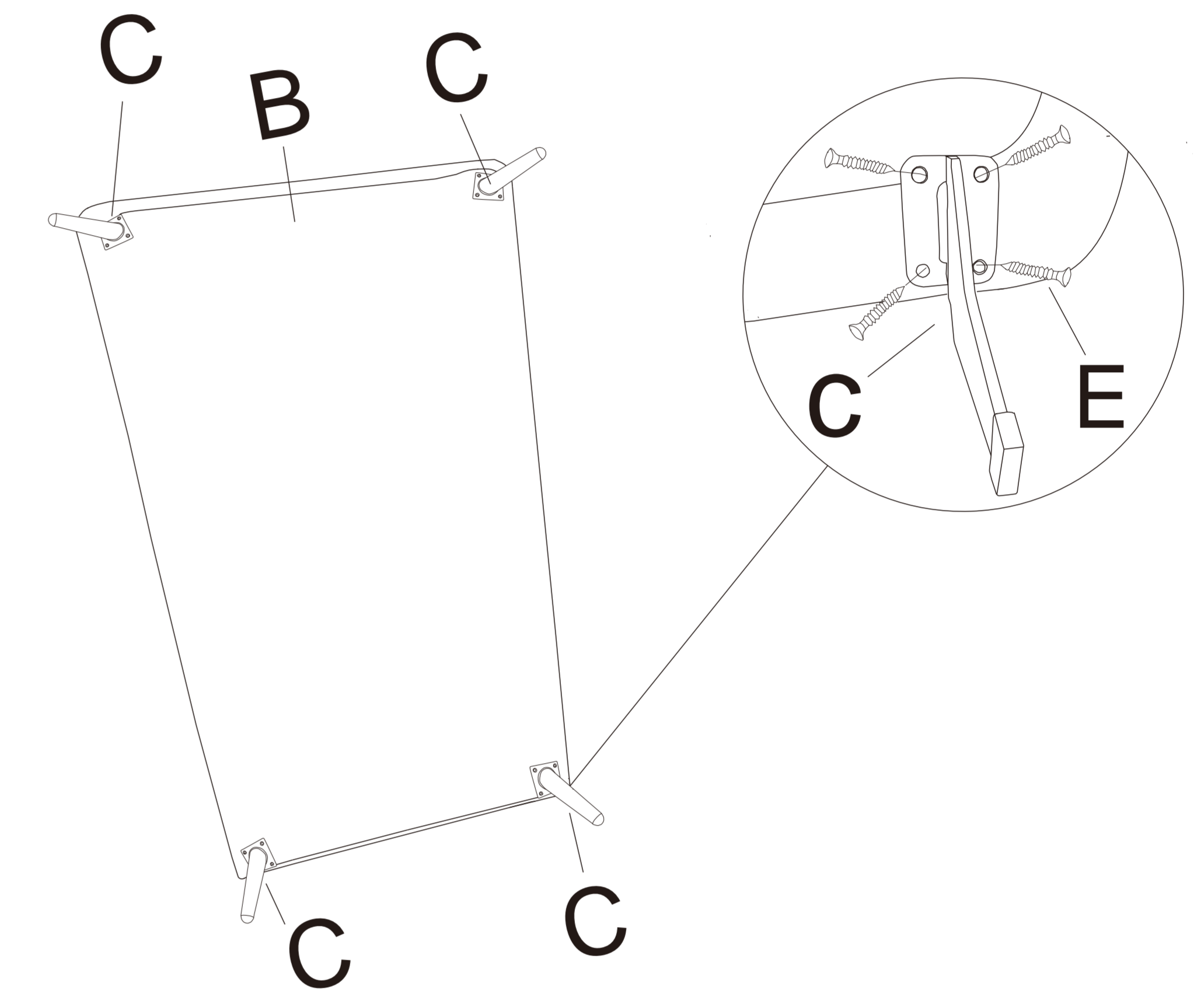
step2



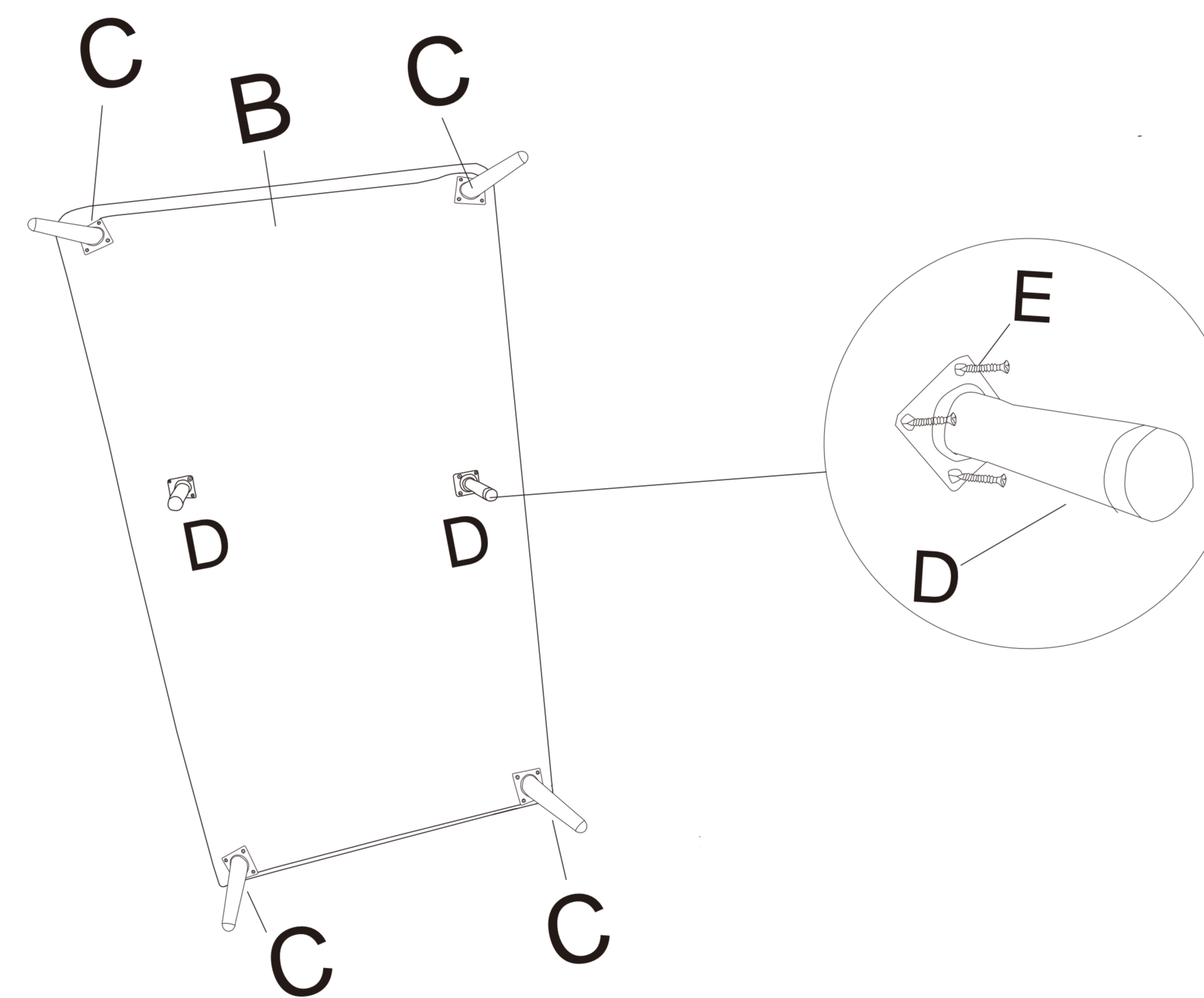
step3



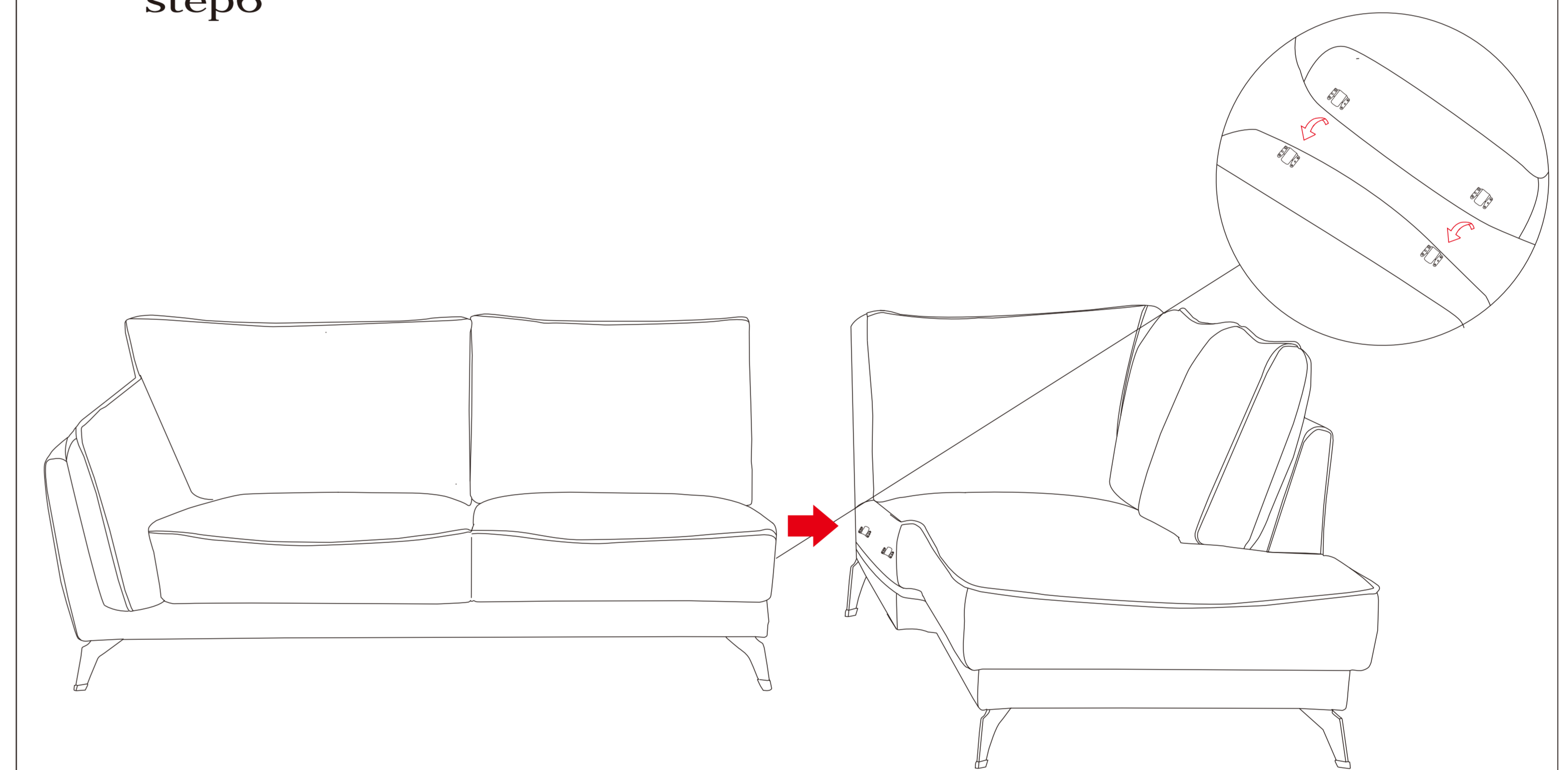
step4



step5



step6



step7

