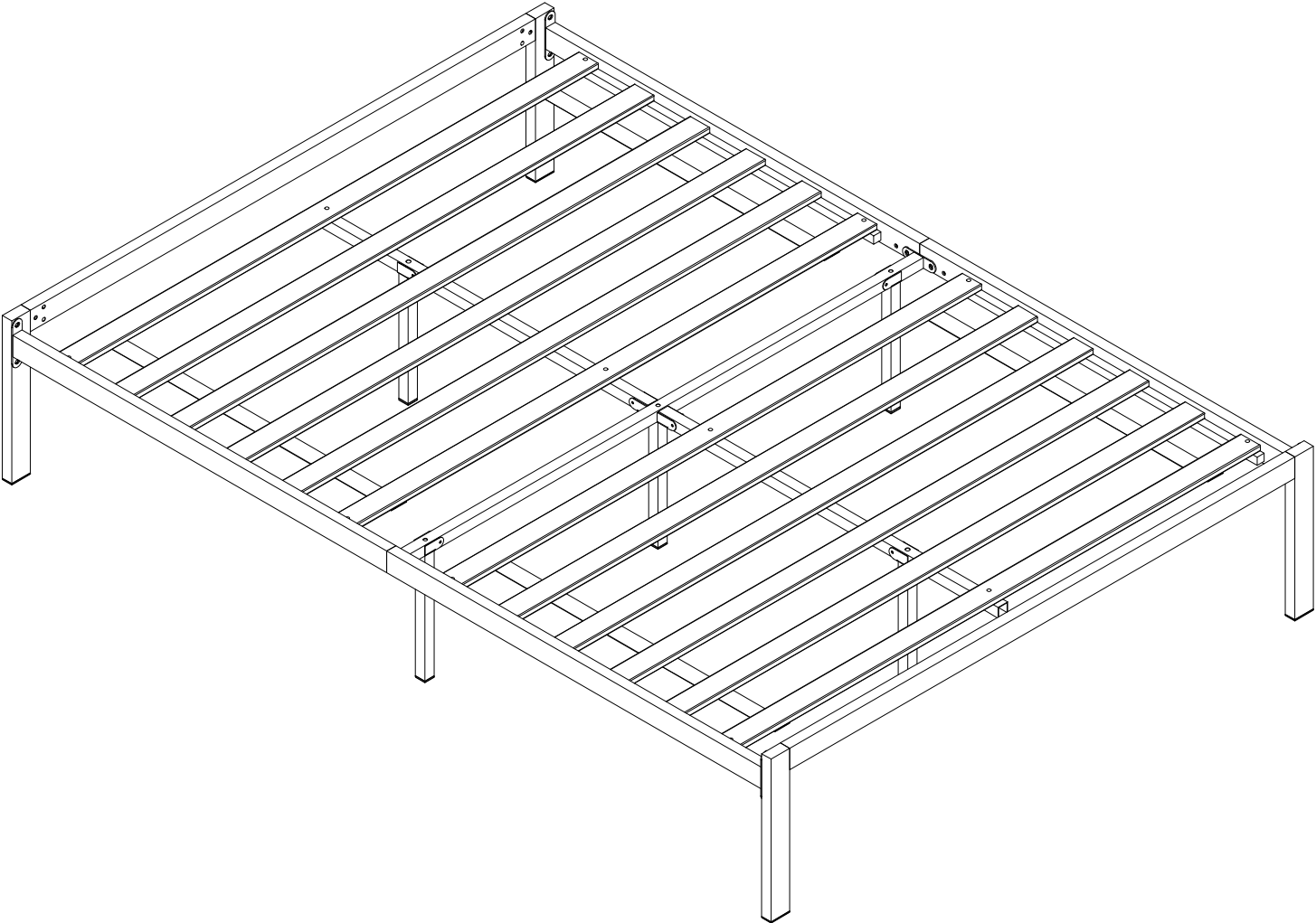
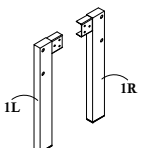
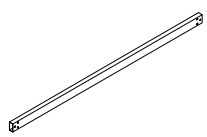
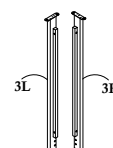
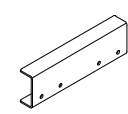

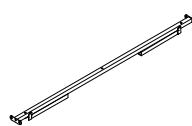
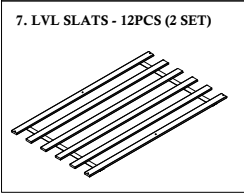



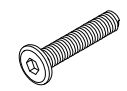
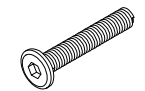
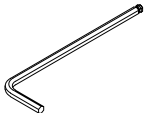
# ASSEMBLY INSTRUCTION

Model : MTB014 (WITHOUT HEADBOARD) Item Code :2509  
DOUBLE 1400 x 2000



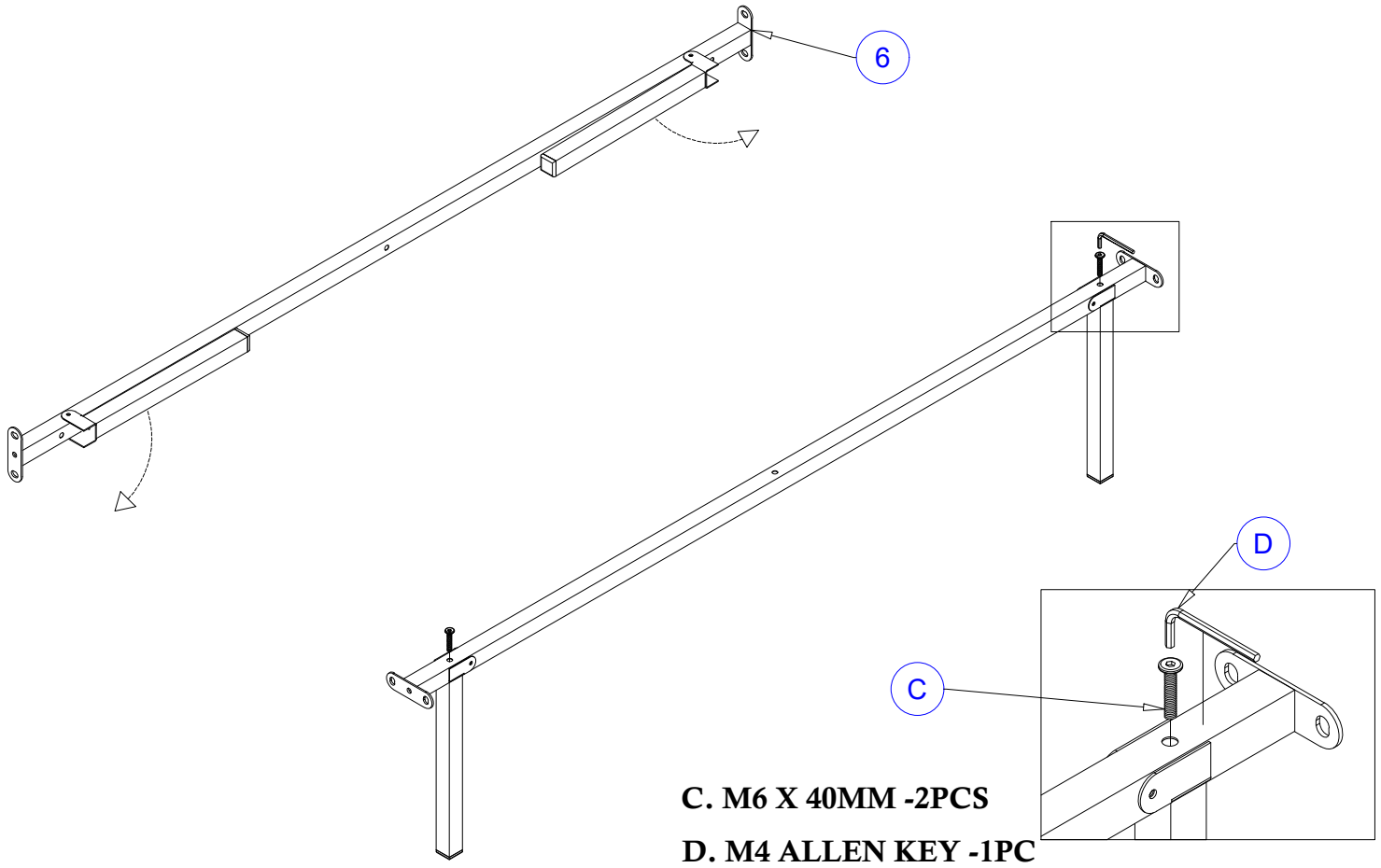
1. HEADBOARD LEG - 4PCS 	2. HEADBOARD RAIL - 2PCS 	3. SIDE RAIL - 4PCS 	4. SIDE RAIL SUPPORT - 2PCS 	5. CENTER RAIL - 1PC 	6. CENTER SUPPORT - 1PC 
---	---	--	--	---	--



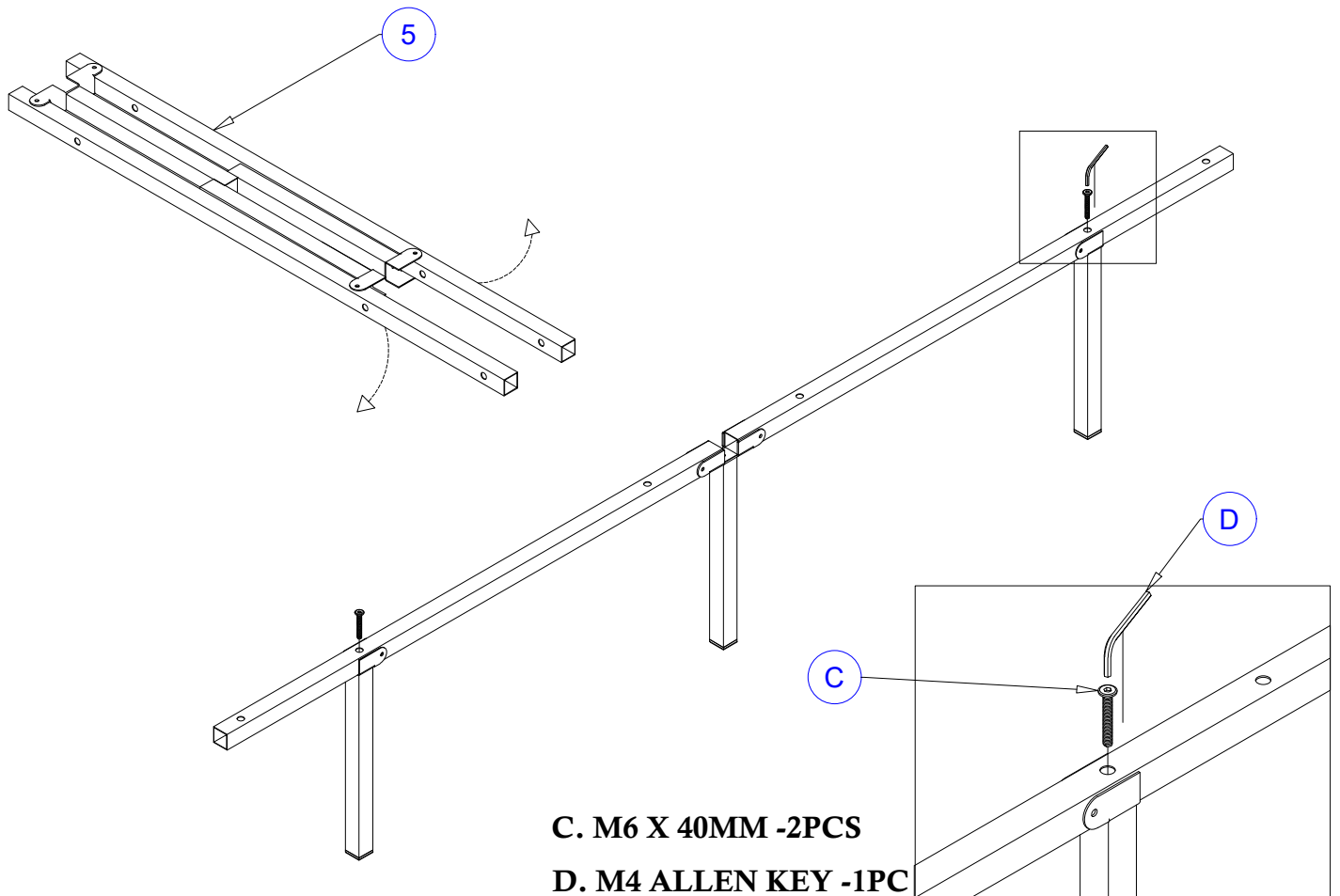
A. JCBC M6 X 16MM - 28PCS 	B. JCBC M6 X 30MM - 12PCS 	C. JCBC M6 X 40MM - 5PCS 	D. M4 ALLEN KEY - 1PC 
--	--	---	--

# ASSEMBLY INSTRUCTION

## Step 1

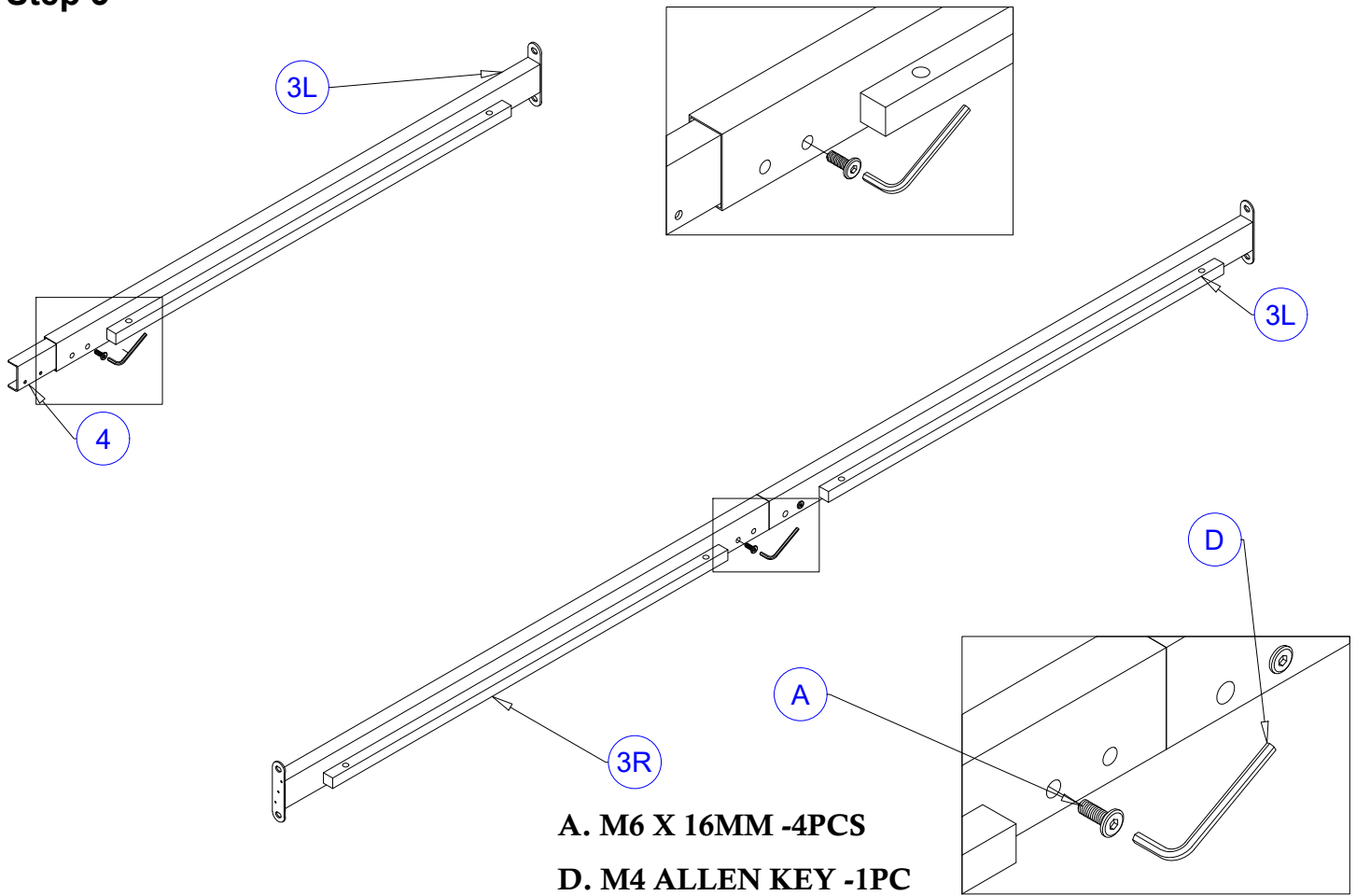


## Step 2

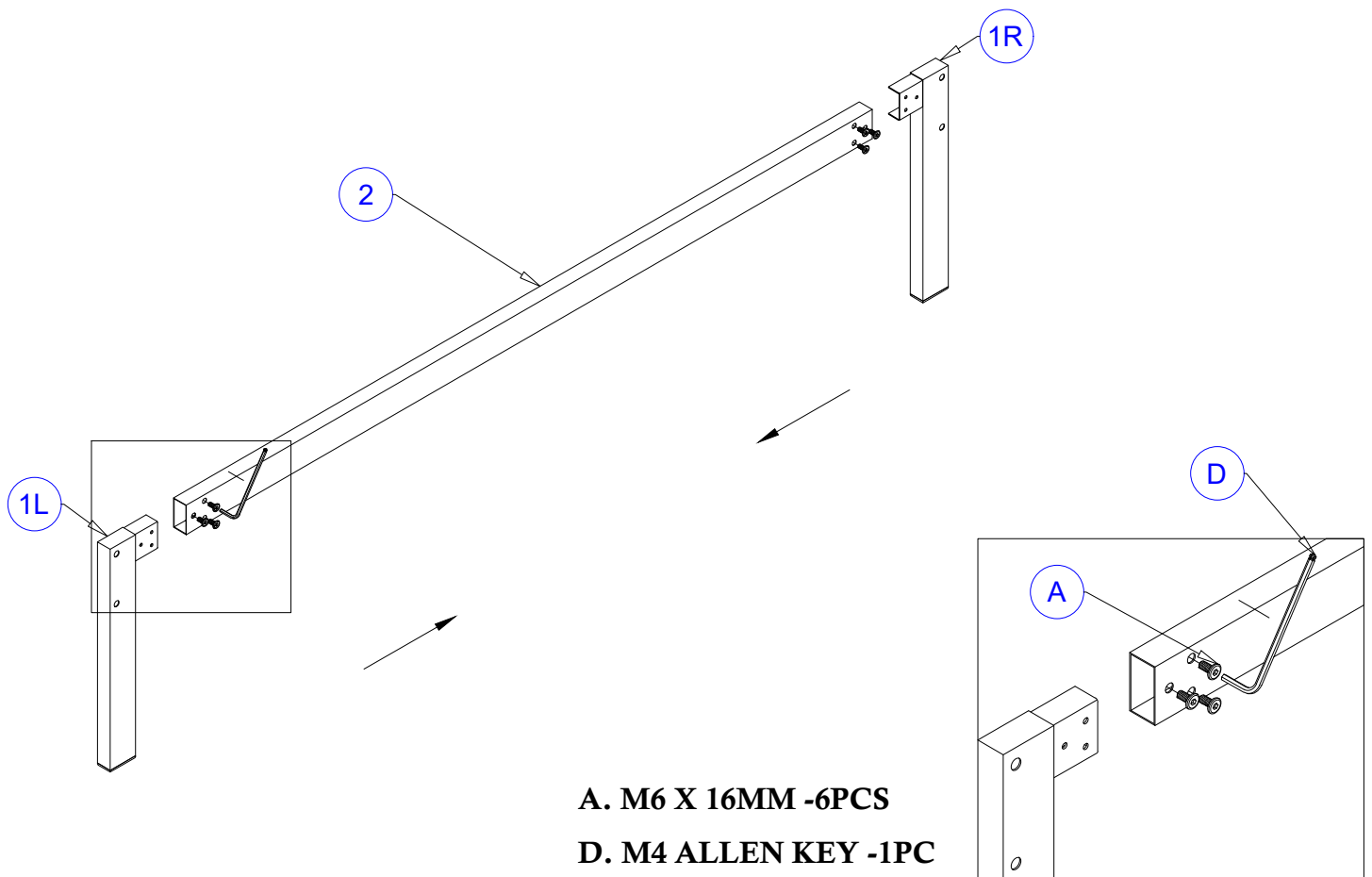


# ASSEMBLY INSTRUCTION

## Step 3

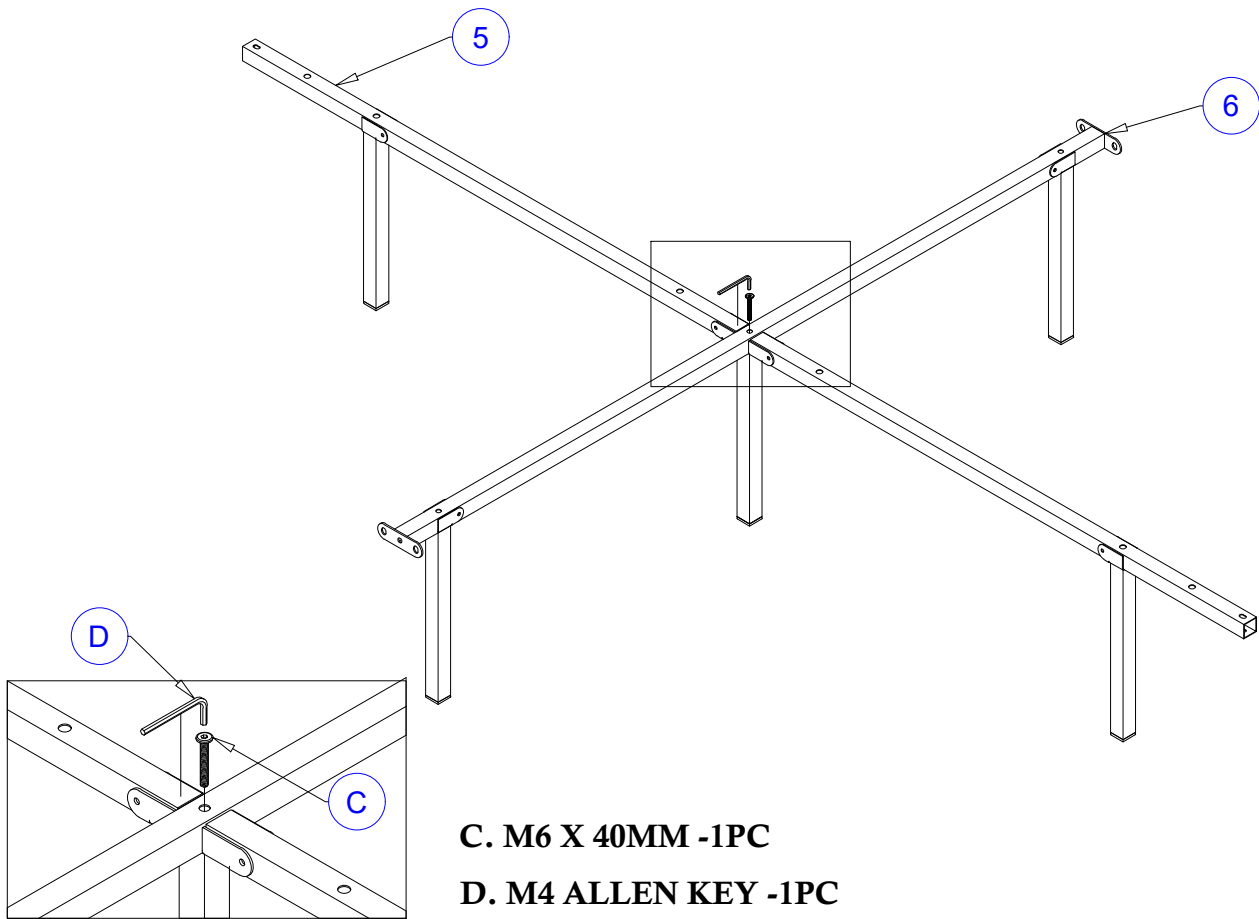


## Step 4

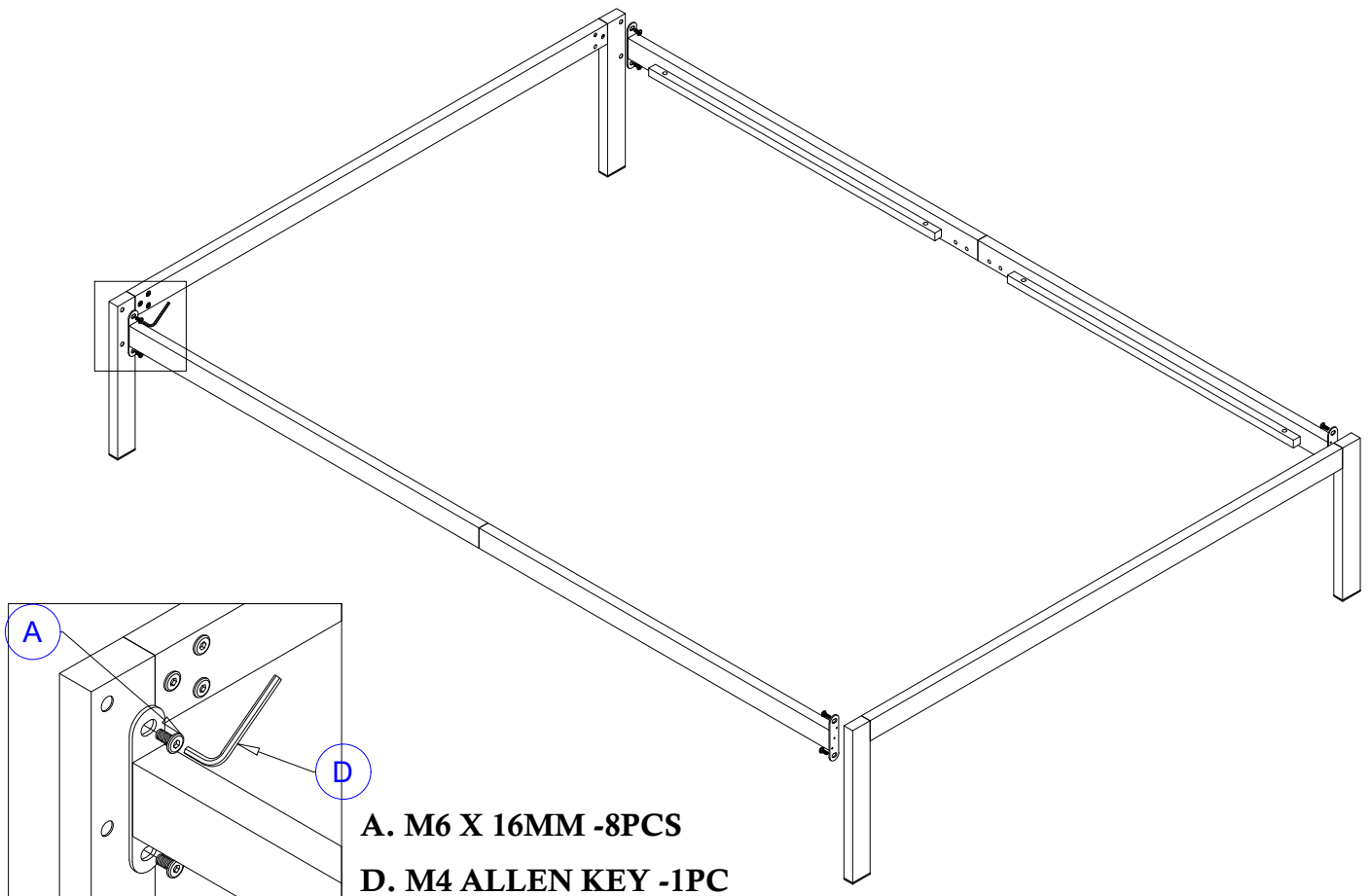


# ASSEMBLY INSTRUCTION

## Step 5

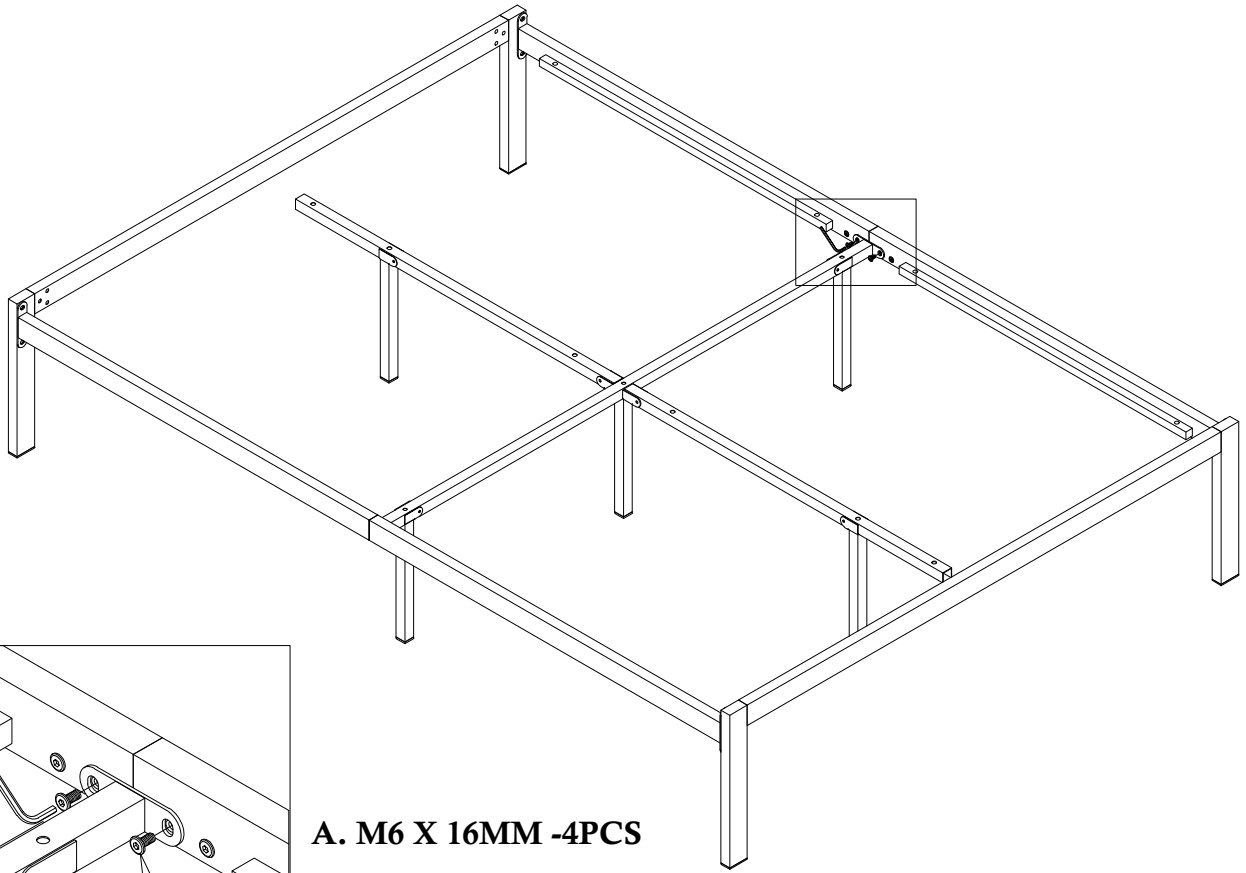


## Step 6



# ASSEMBLY INSTRUCTION

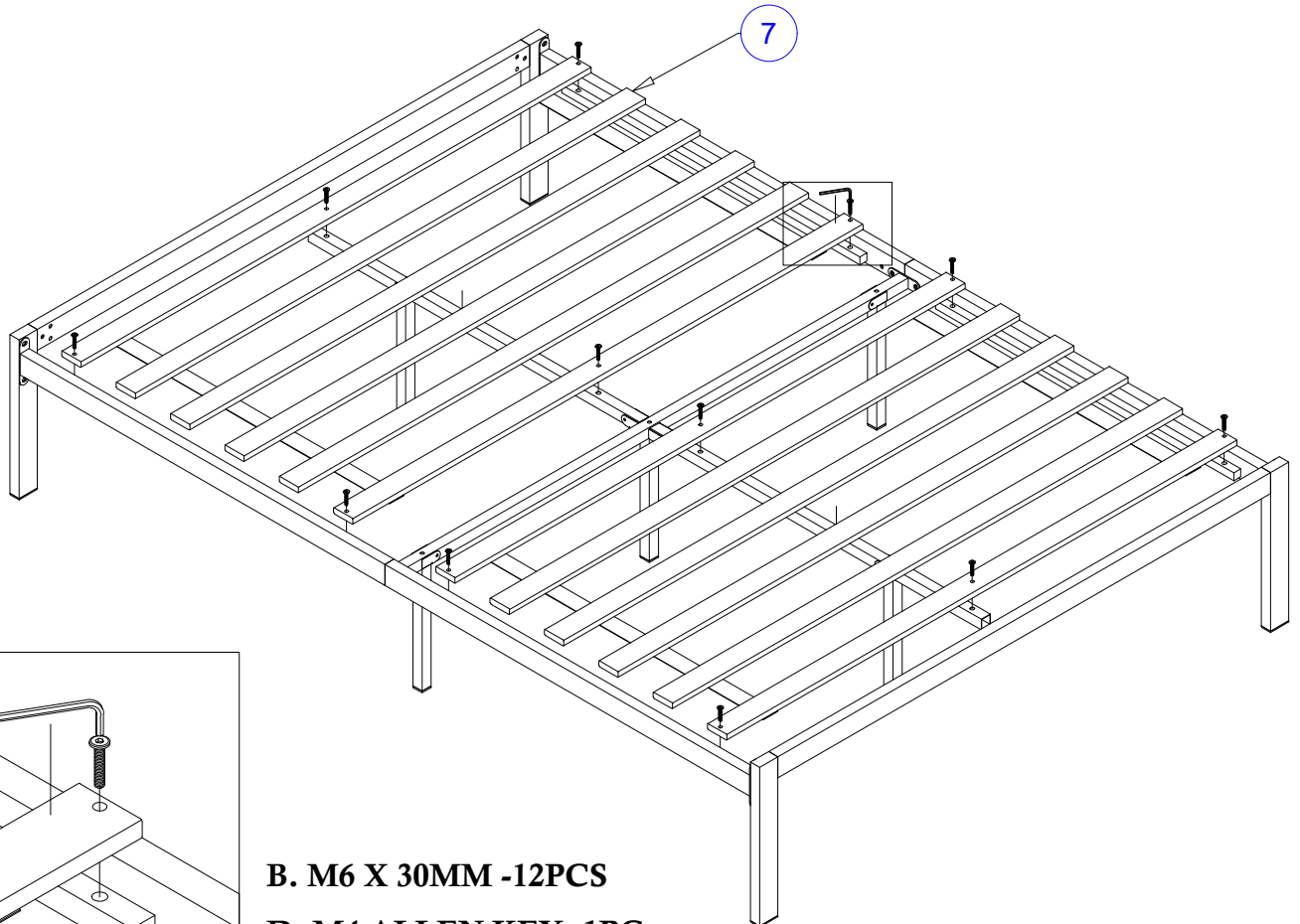
## Step 7



**A. M6 X 16MM -4PCS**

**D. M4 ALLEN KEY -1PC**

## Step 8



**B. M6 X 30MM -12PCS**

**D. M4 ALLEN KEY -1PC**