







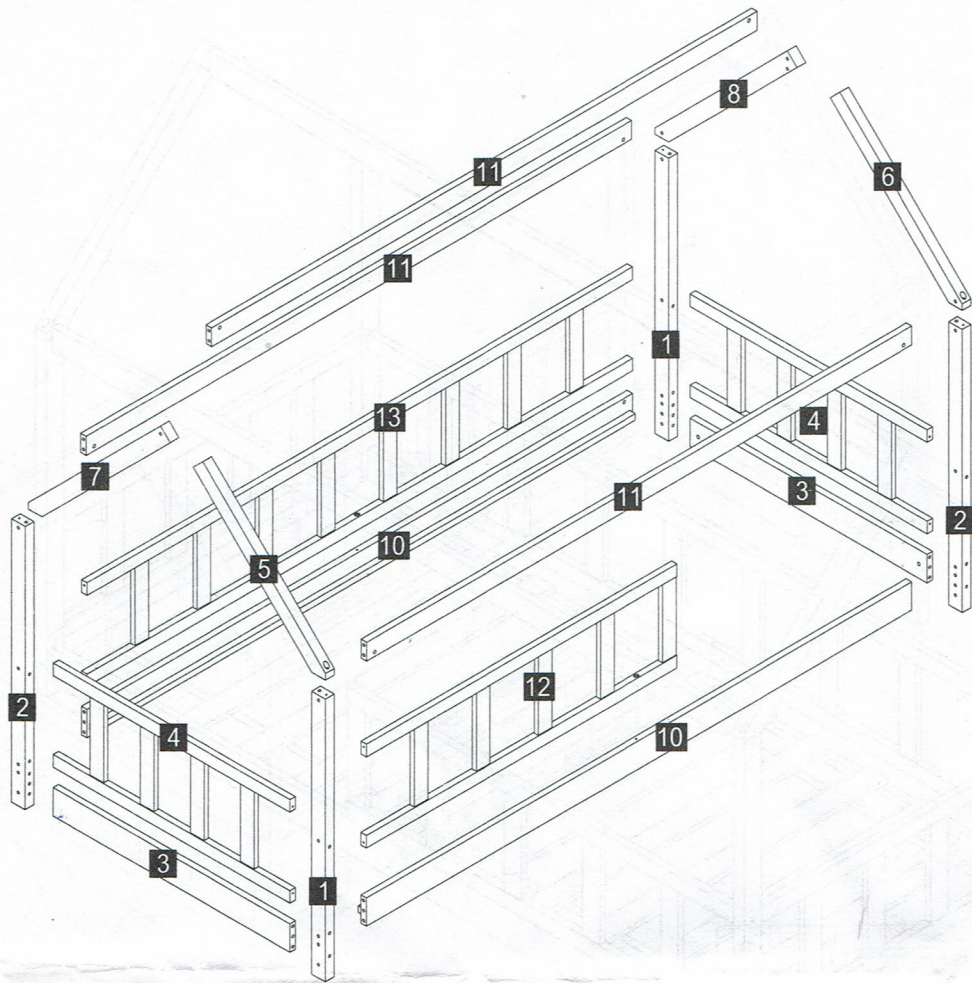
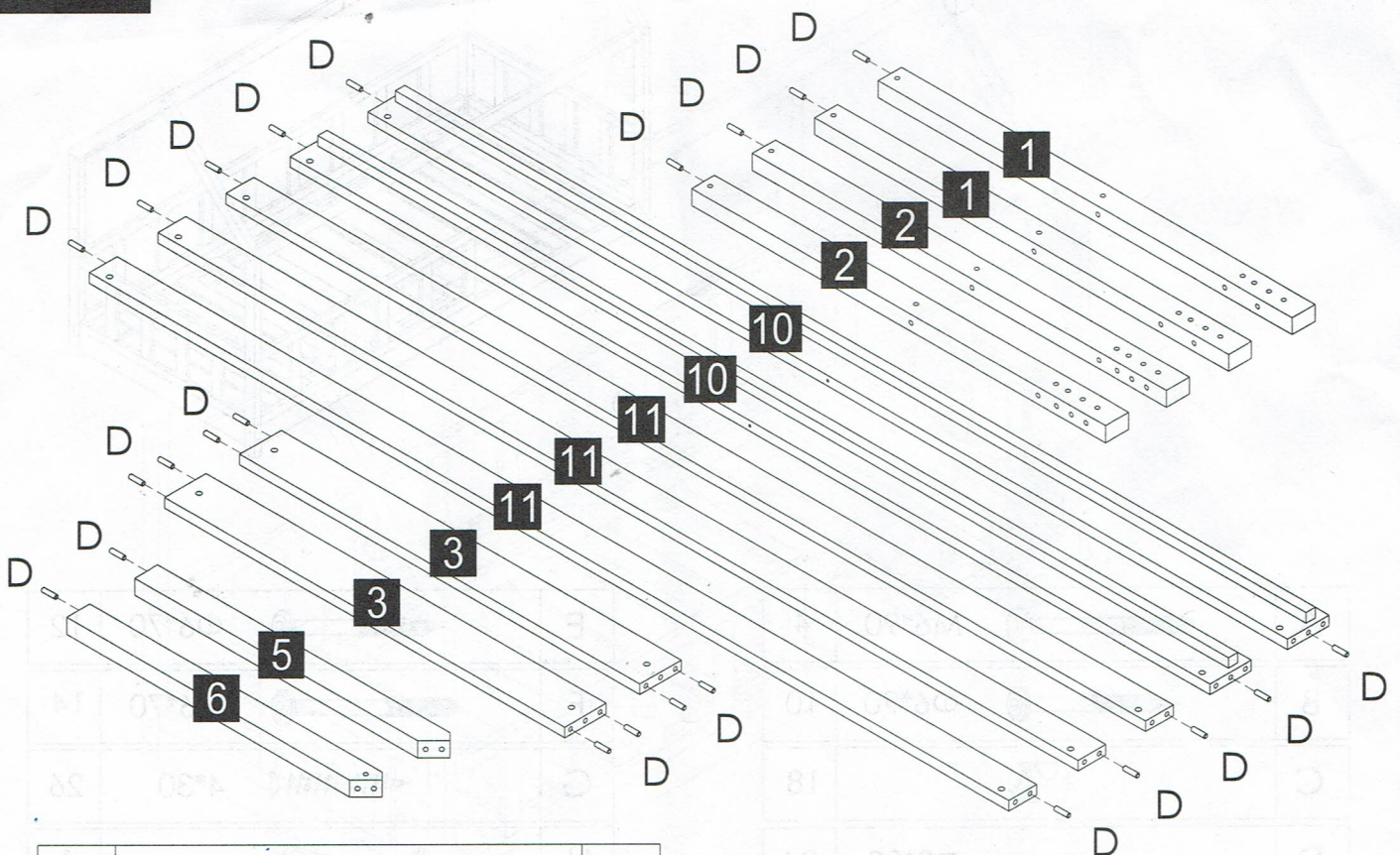



A		M6*90	4
B		Φ6*90	10
C			18
D		Φ8*30	24

E		Φ6*70	12
F		M6*70	14
G		4*30	26
H		4 mm	1

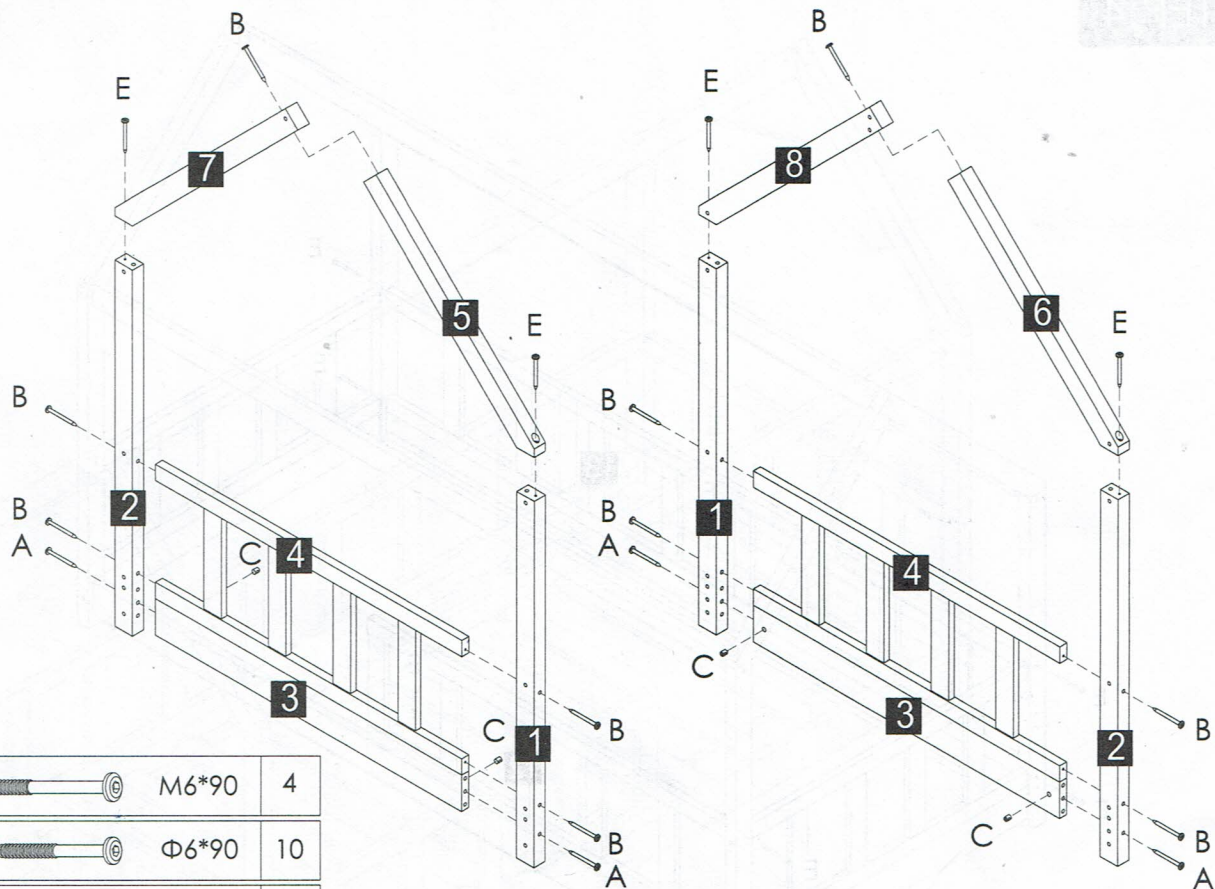


STEP:1



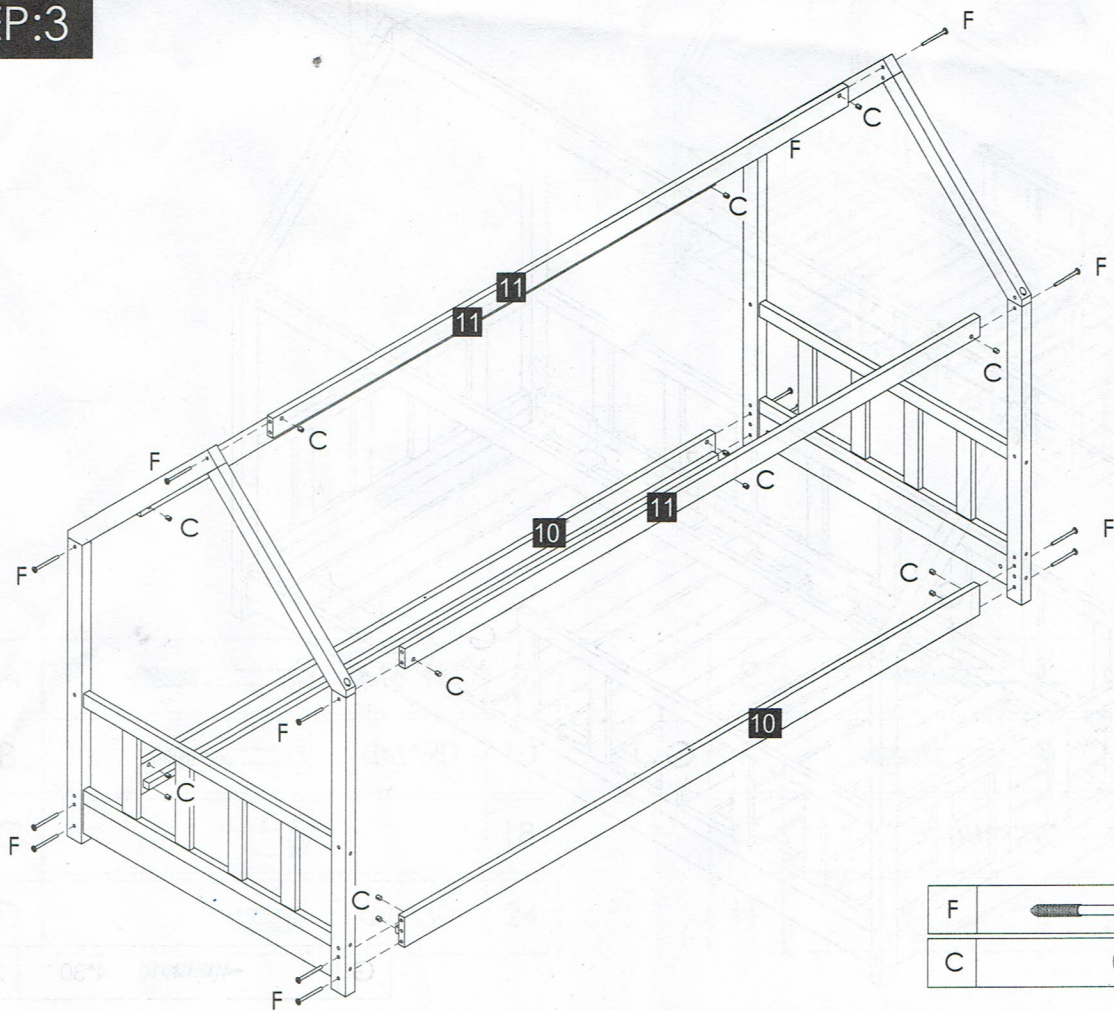
D		Φ8*30	24
---	---	-------	----

STEP:2



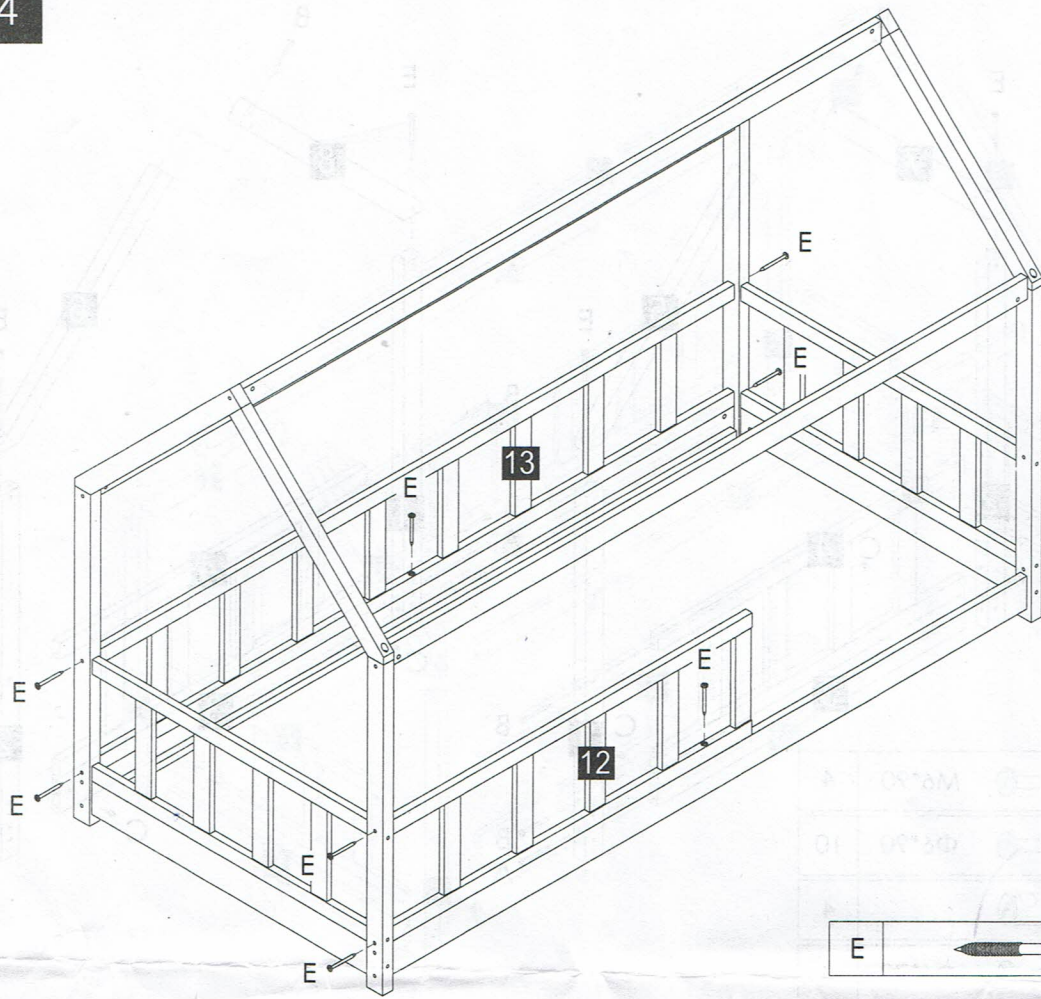
A		M6*90	4
B		Φ6*90	10
C			4
E		Φ6*70	4


STEP:3



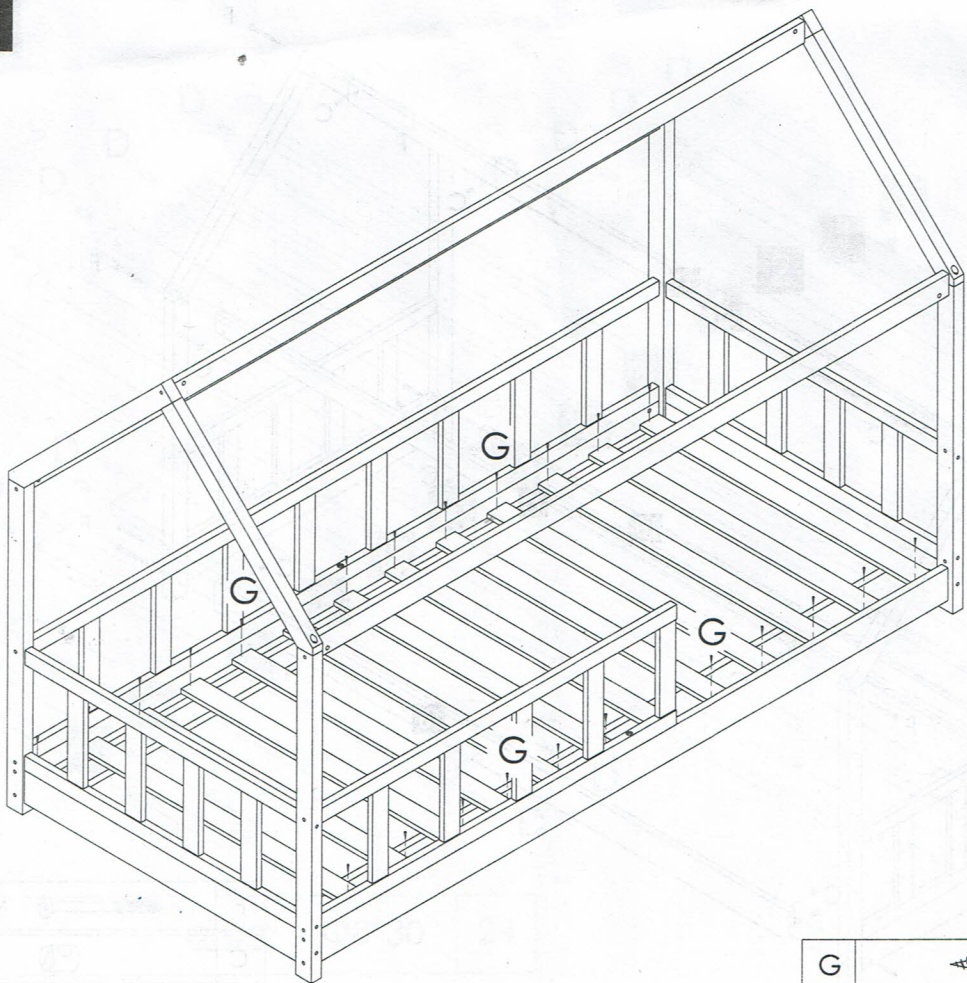
F		M6*70	14
C			14


STEP:4



E		Φ6*70	8
---	---	-------	---

STEP:5



G		4*30	26
---	---	------	----