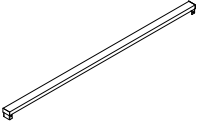
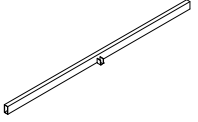
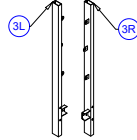
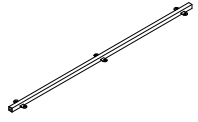
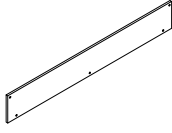
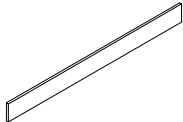
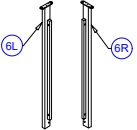
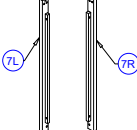
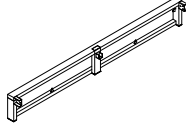
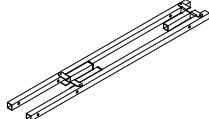
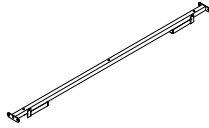
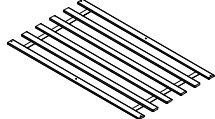

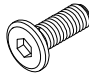
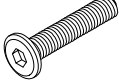
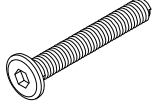
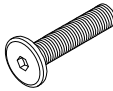
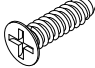
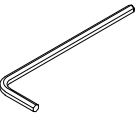
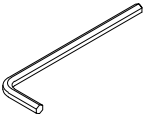


ASSEMBLY INSTRUCTION

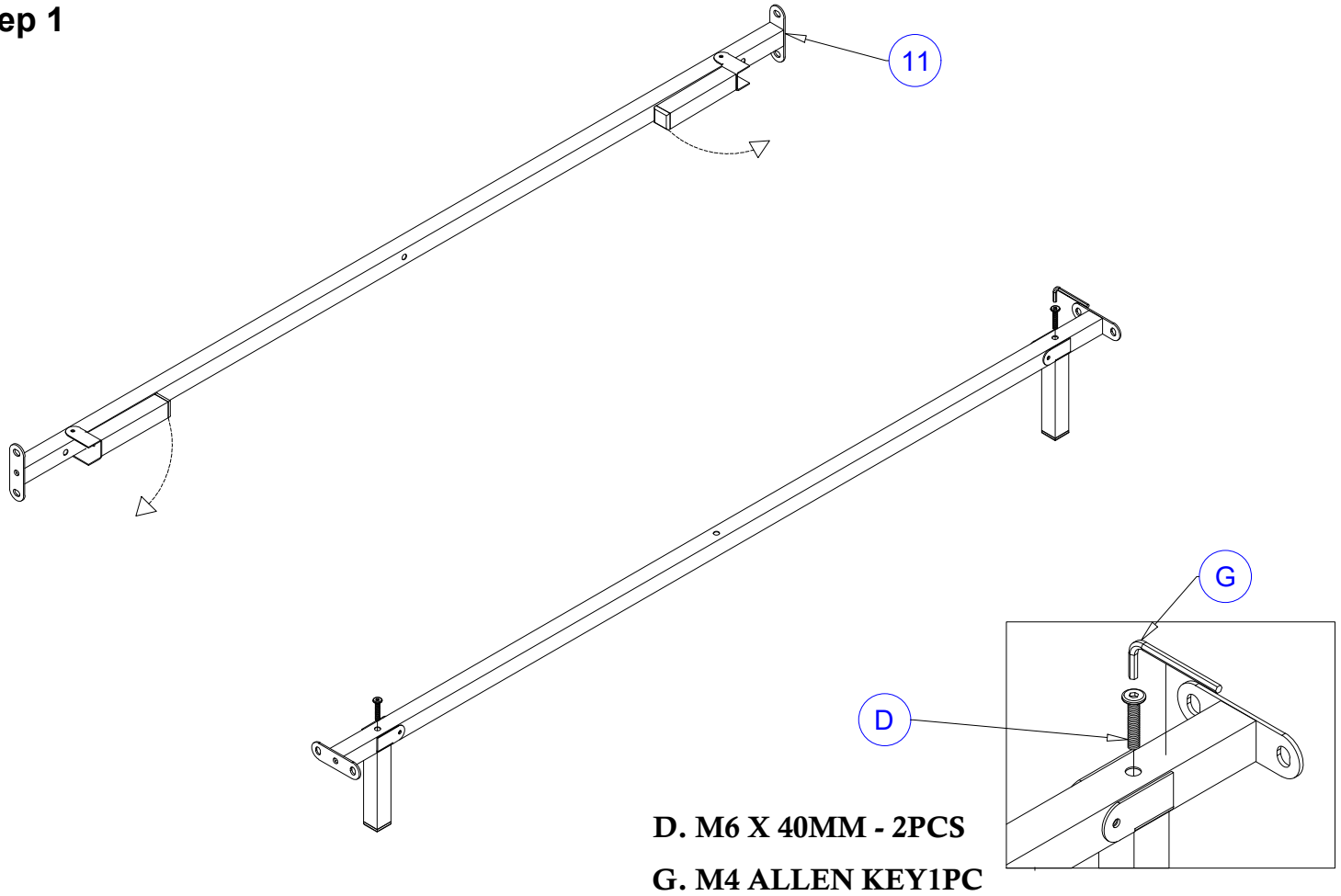
Model : MTB003 Item Code : 2511



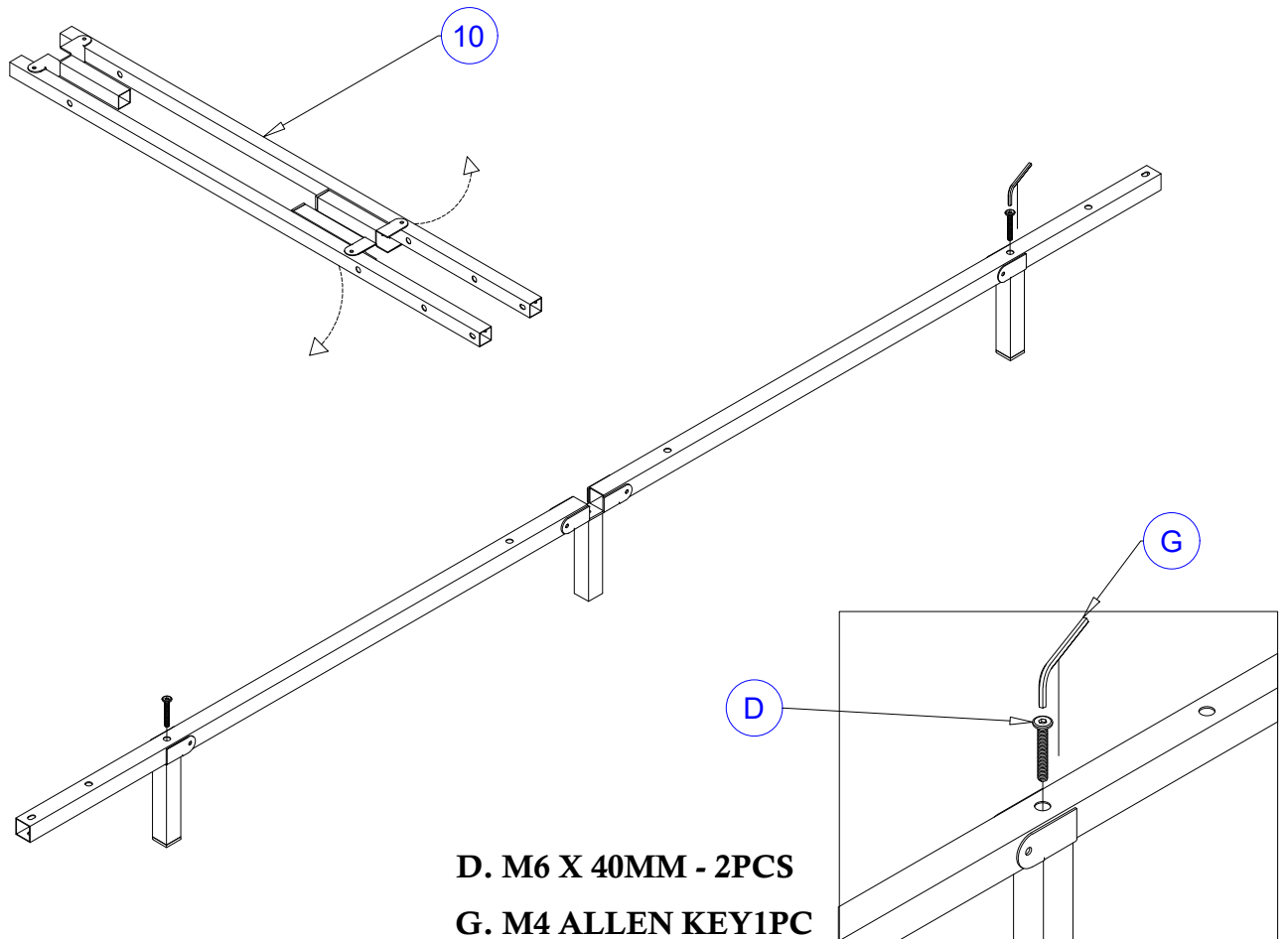
<p>1. HEADBOARD TOP - 1PC</p> 	<p>2. HEADBOARD BOTTOM - 1PC</p> 	<p>3. HEADBOARD PANEL - 2PCS</p> 	<p>4. HEADBOARD BACK SUPPORT - 1PC</p> 	<p>5. HEADBOARD BOARD - 2PCS</p> 	<p>6. FOOTBOARD BOARD - 1PC</p> 
<p>7. SIDE RAIL WITH BRACKET - 2PCS</p> 	<p>8. SIDE RAIL WITHOUT BRACKET - 2PCS</p> 	<p>9. FOOTBOARD - 1PC</p> 	<p>10. CENTER RAIL - 1PC</p> 	<p>11. CENTER SUPPORT - 1PC</p> 	<p>12. LVL - 12PCS (2 SET)</p> 
<p>A. M6 X 12MM - 10PCS</p> 	<p>B. M6 X 16MM - 28PCS</p> 	<p>C. M6 X 30MM - 12PCS</p> 	<p>D. M6 X 40MM - 5PCS</p> 	<p>E. M8 X 35MM - 2PCS</p> 	<p>F. M4 X 16MM - 6PCS</p> 
<p>G. M4 ALLEN KEY - 1PC</p> 	<p>H. M5 ALLEN KEY - 1PC</p> 				

ASSEMBLY INSTRUCTION

Step 1

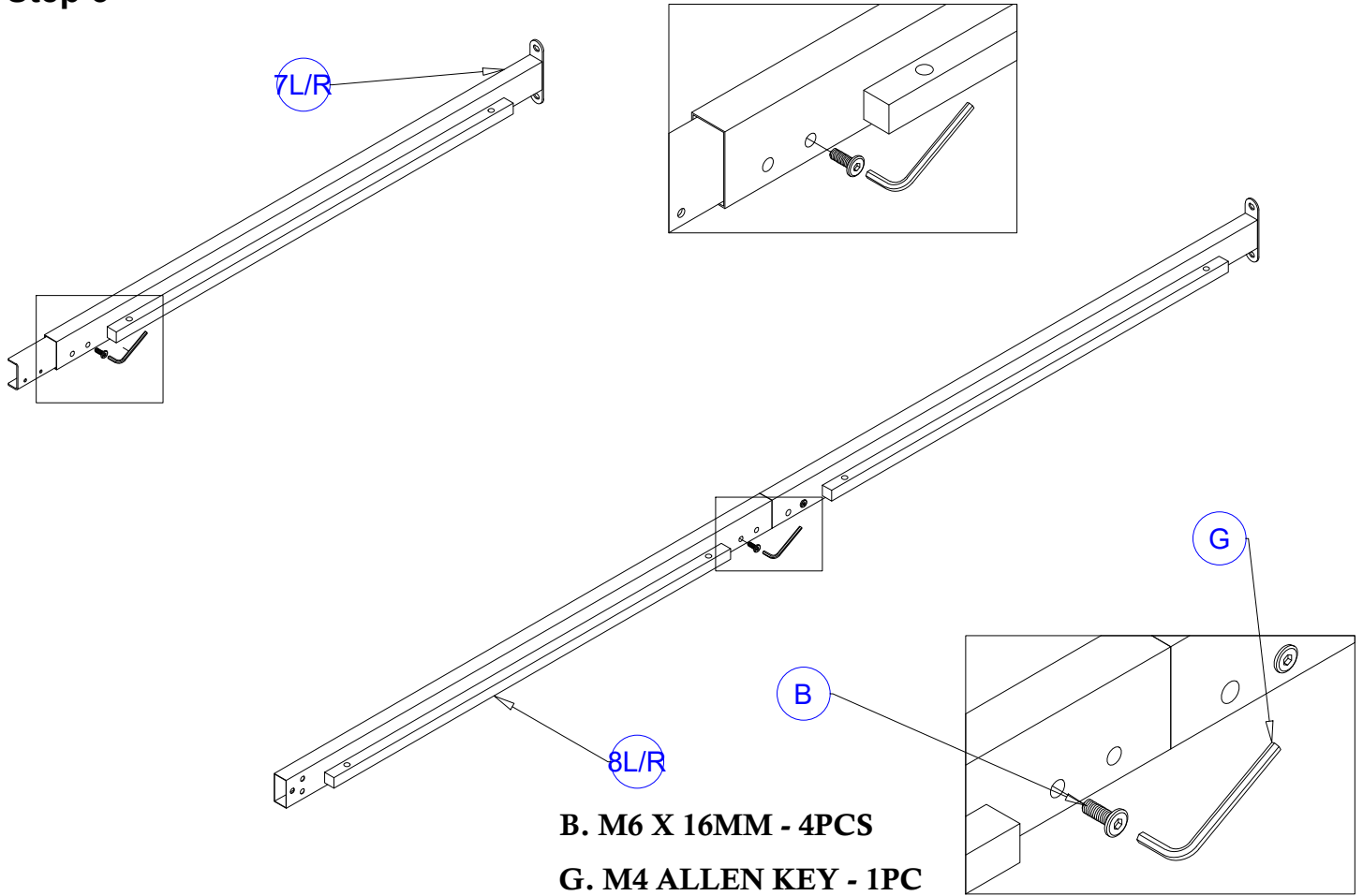


Step 2

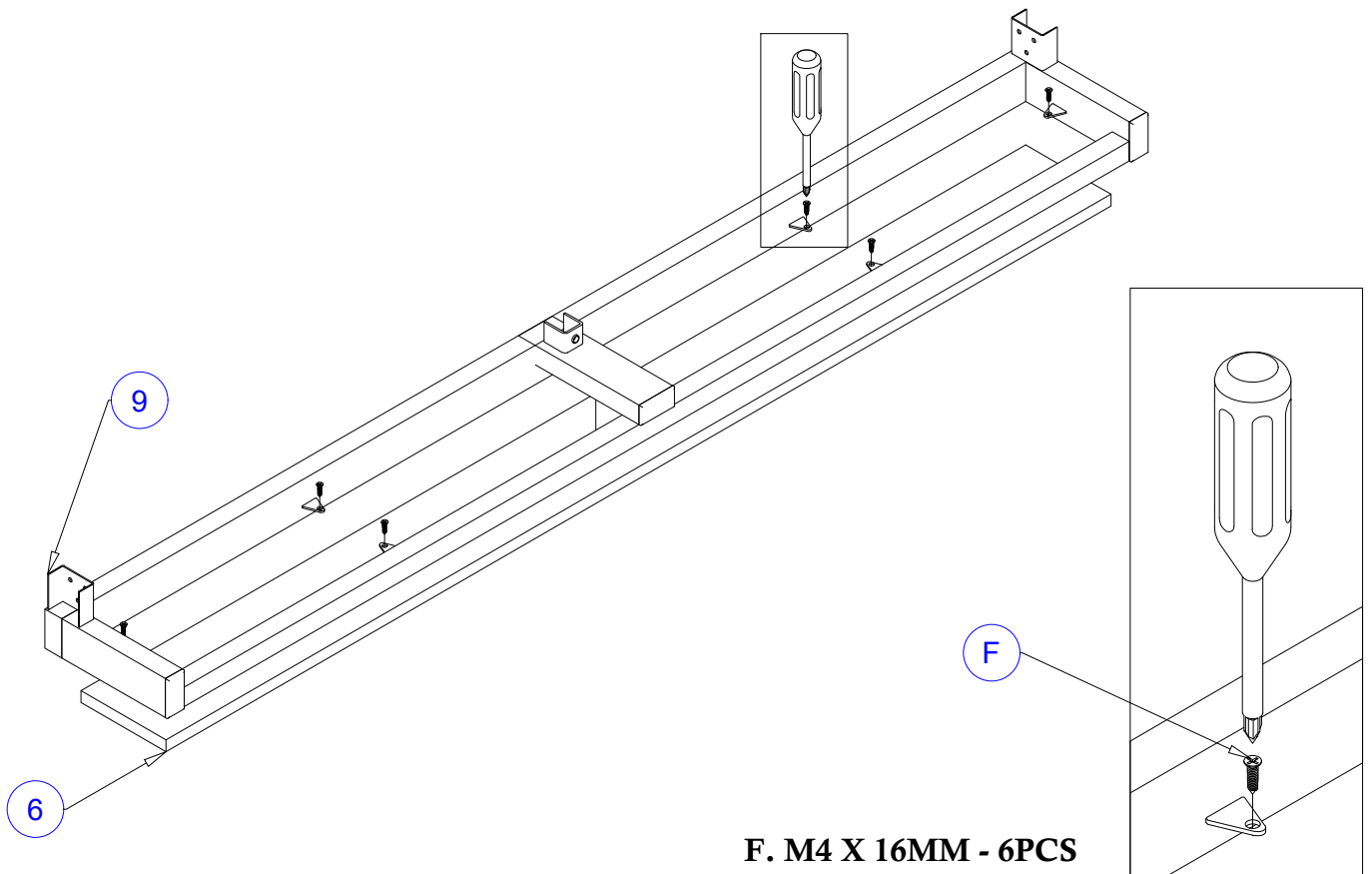


ASSEMBLY INSTRUCTION

Step 3



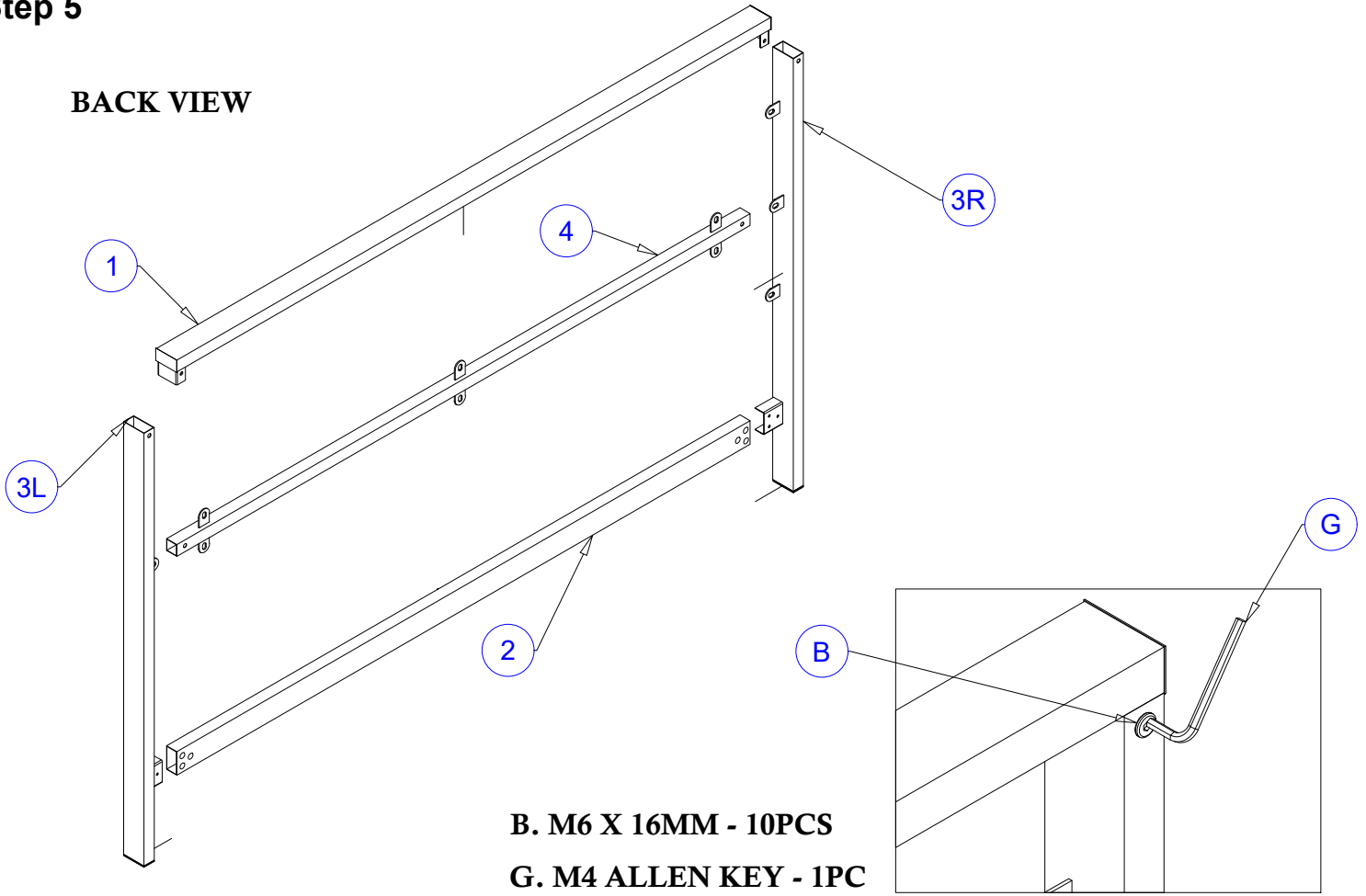
Step 4



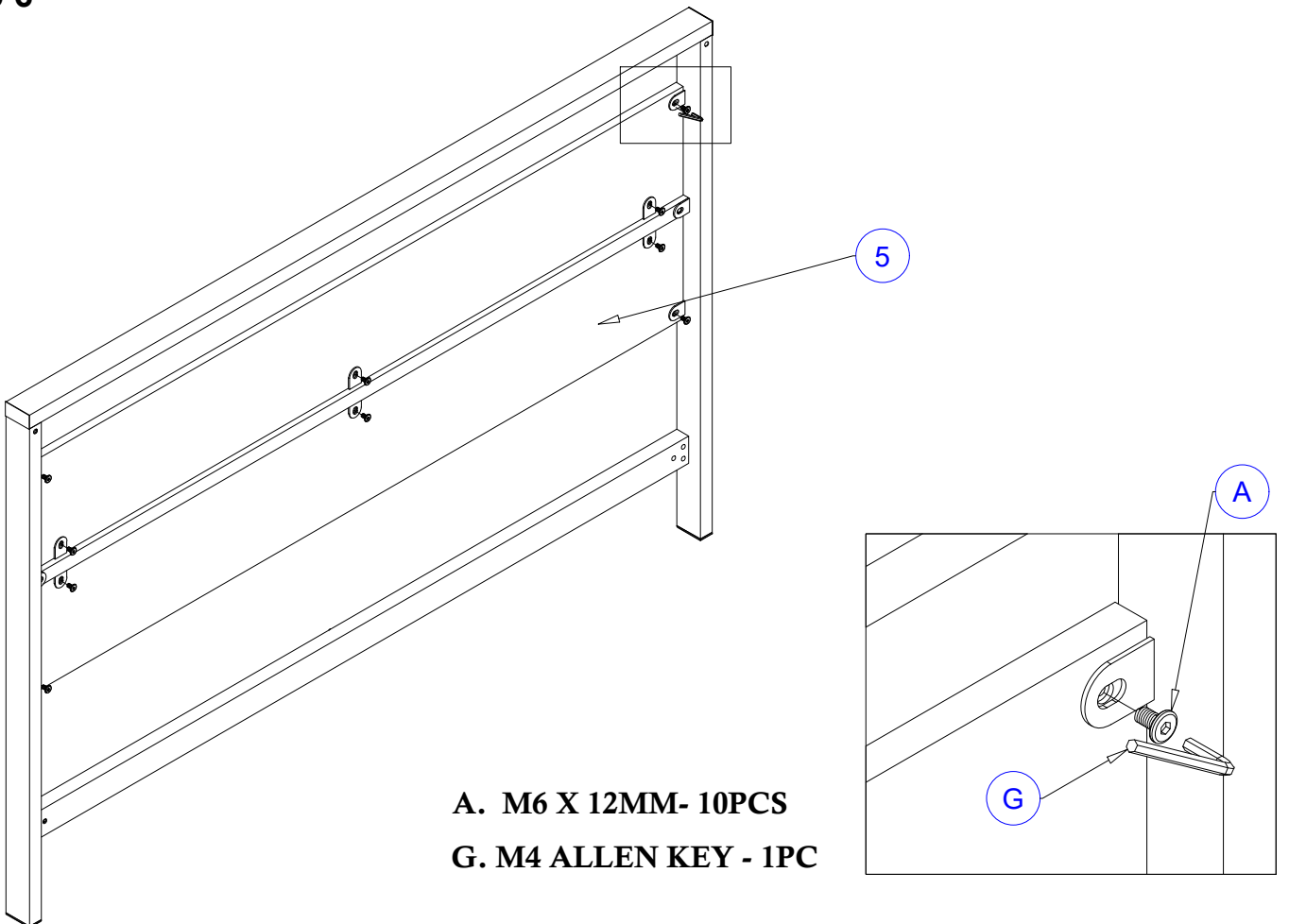
ASSEMBLY INSTRUCTION

Step 5

BACK VIEW

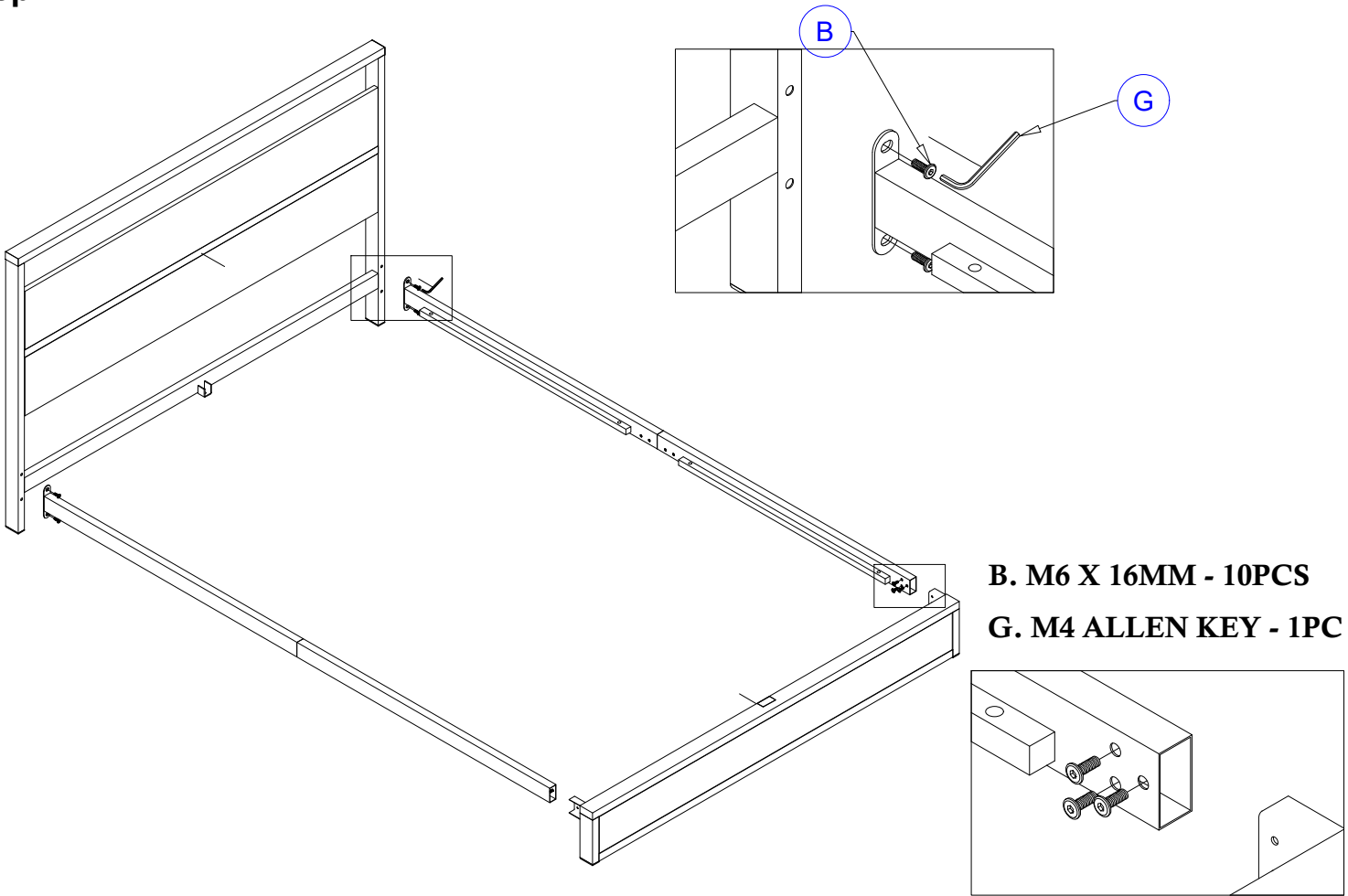


Step 6

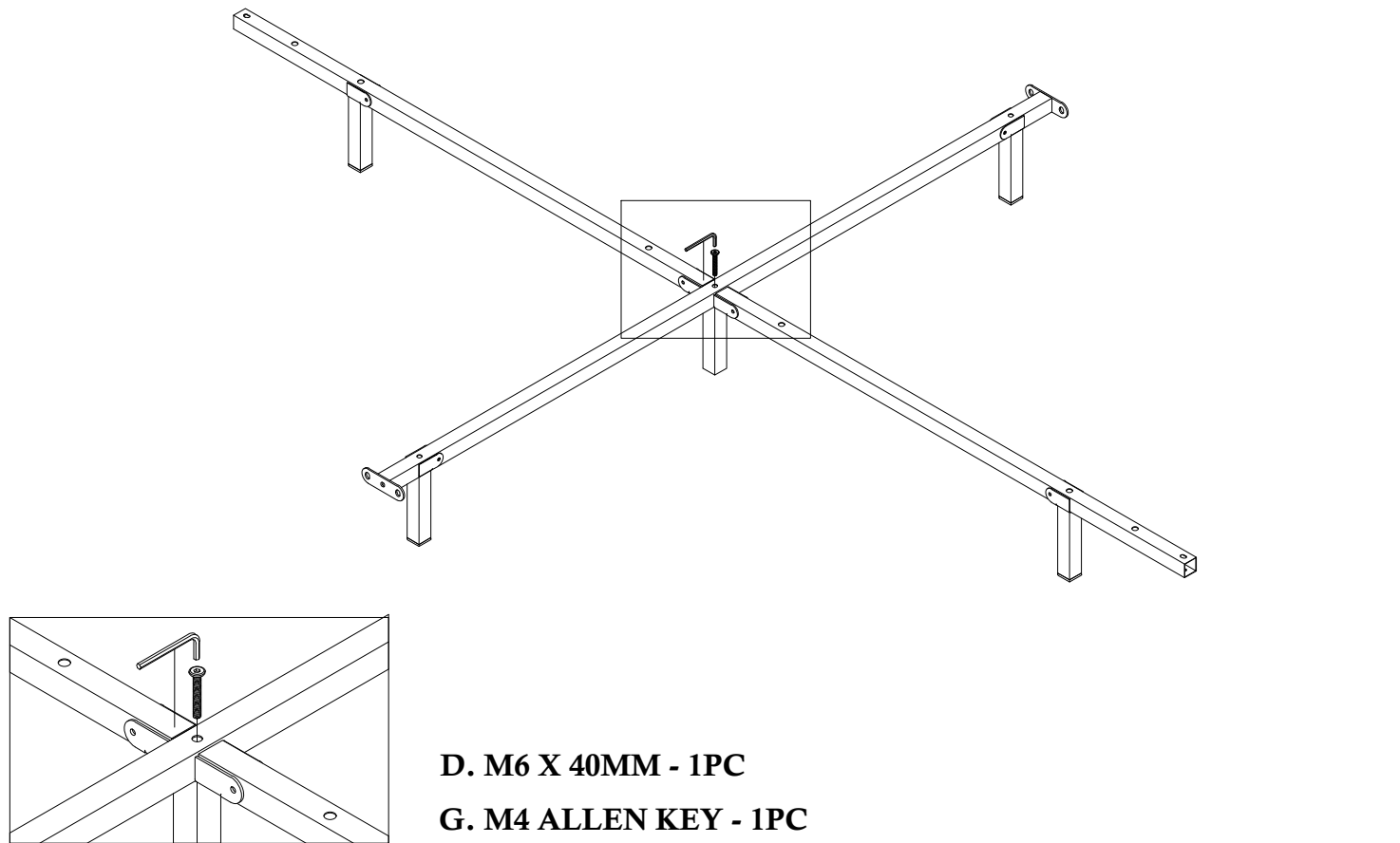


ASSEMBLY INSTRUCTION

Step 7

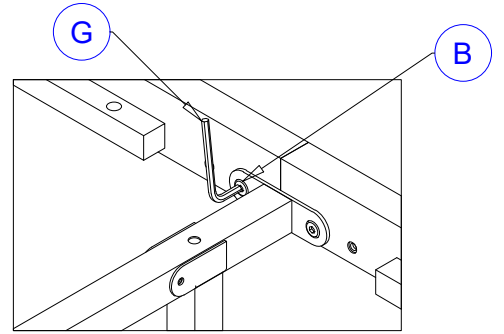
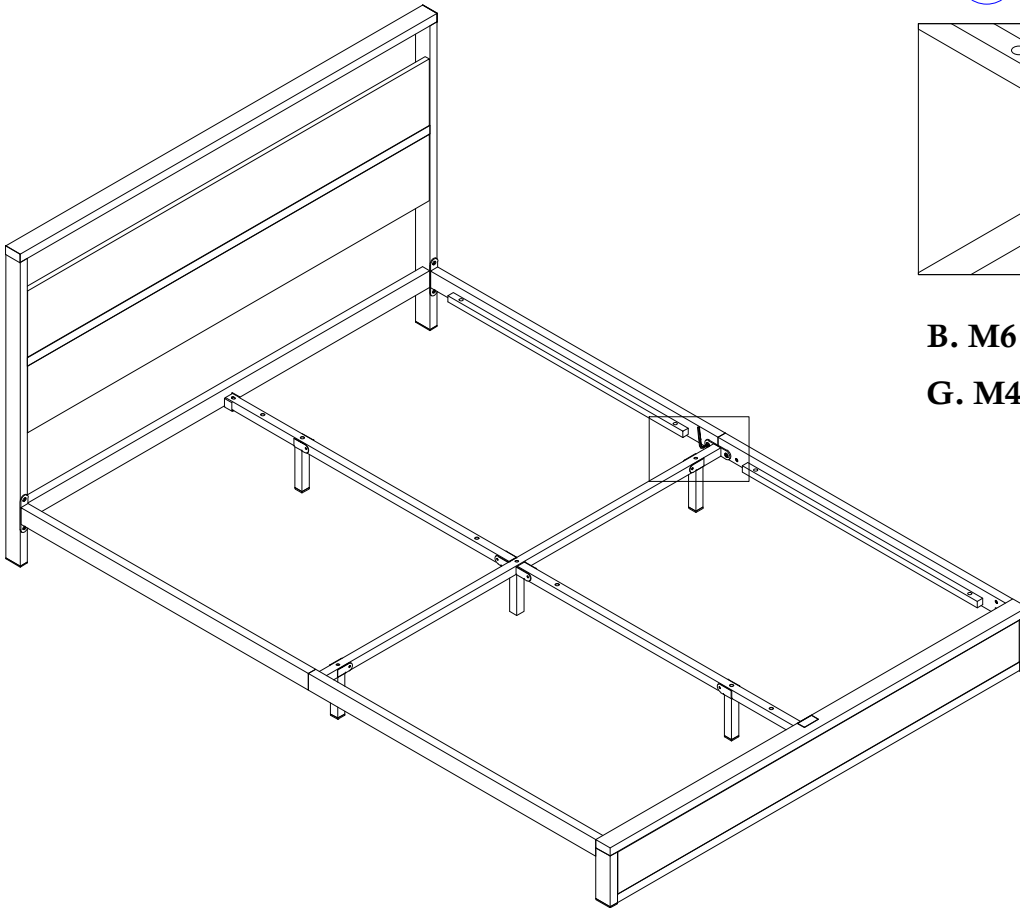


Step 8



ASSEMBLY INSTRUCTION

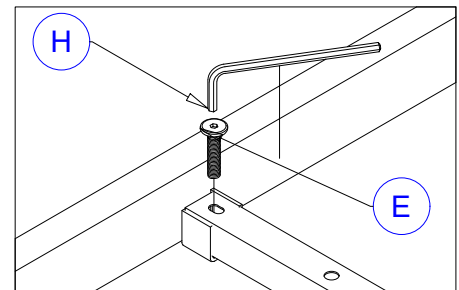
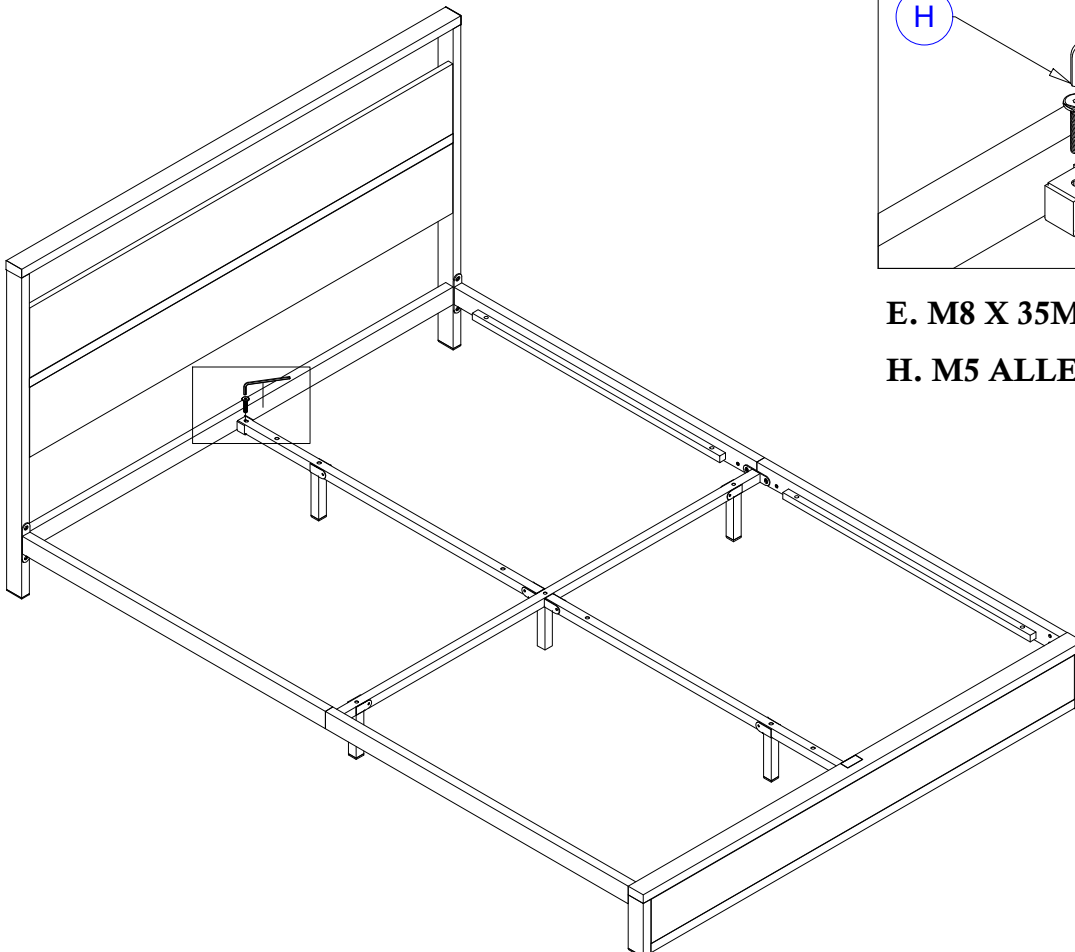
Step 9



B. M6 X 16MM - 4PCS

G. M4 ALLEN KEY - 1PC

Step 10

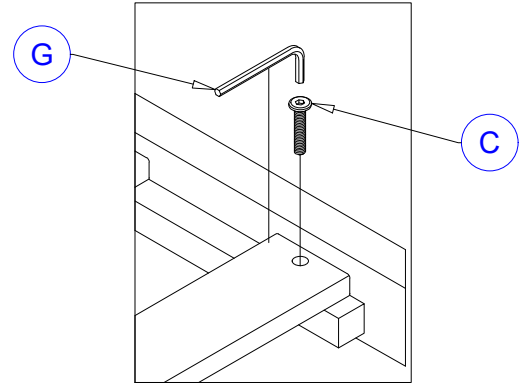
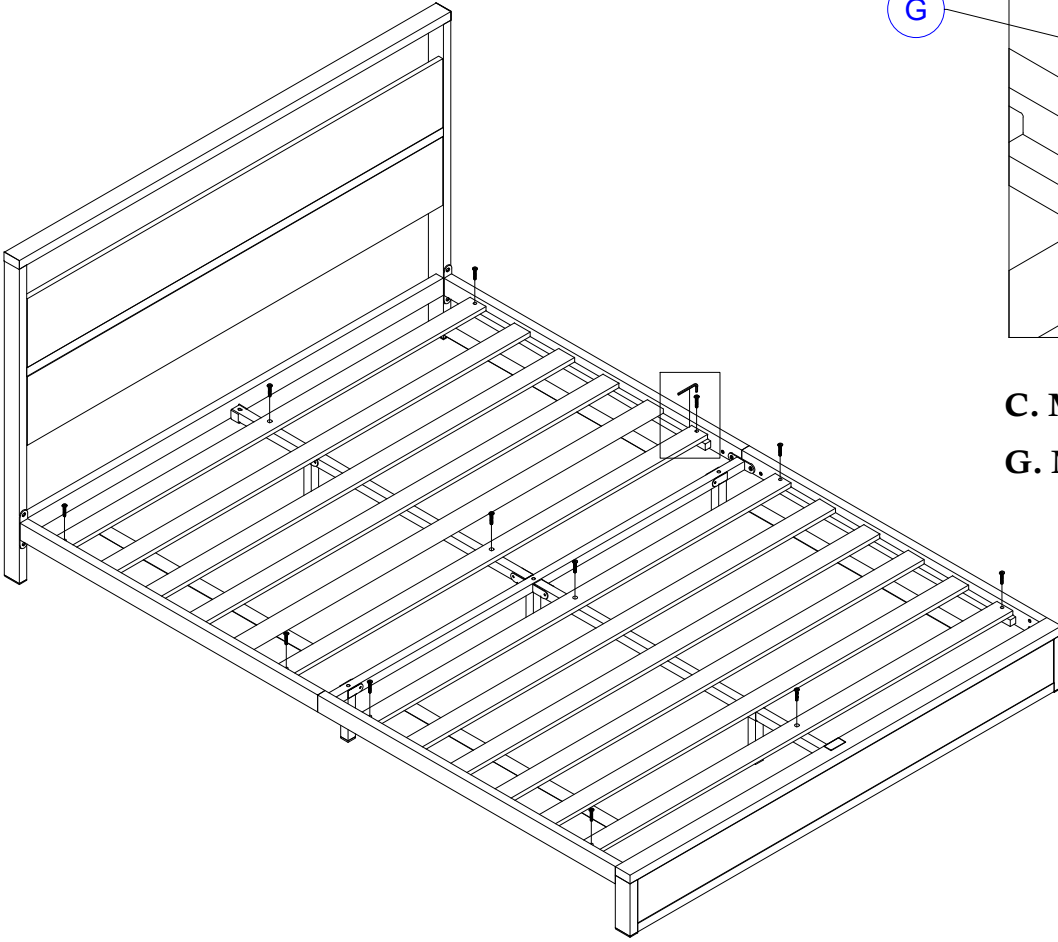


E. M8 X 35MM - 2PCS

H. M5 ALLEN KEY - 1PC

ASSEMBLY INSTRUCTION

Step 11



C. M6 X 30MM - 12PCS

G. M4 ALLEN KEY - 1PC