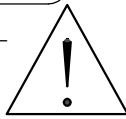
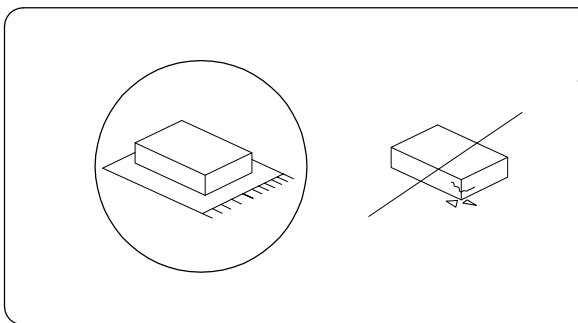
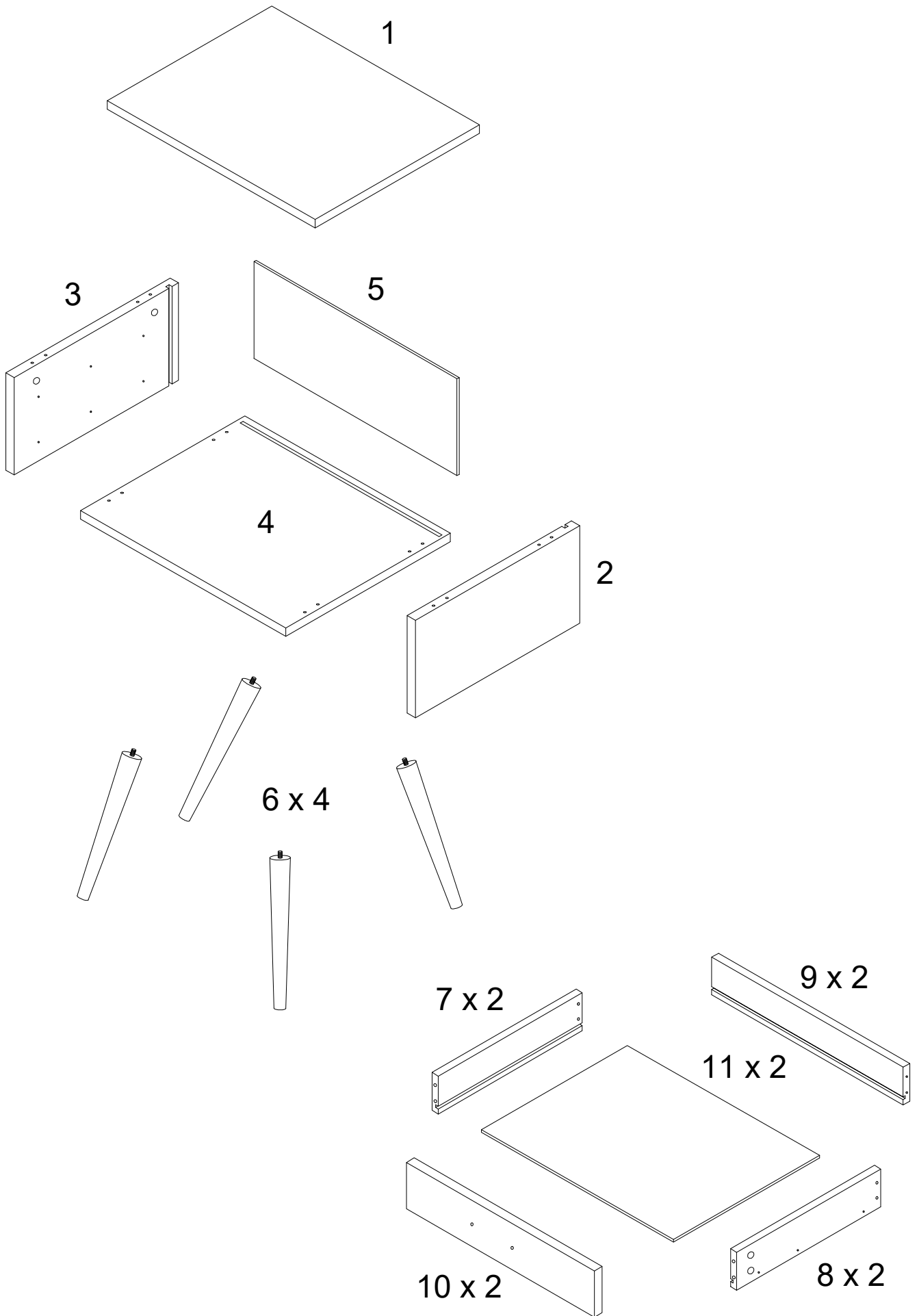
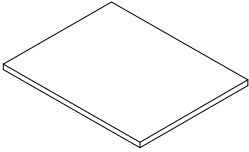
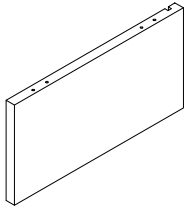
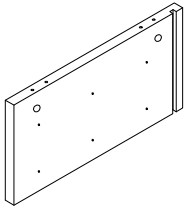
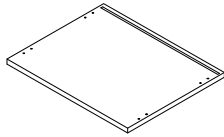
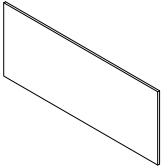

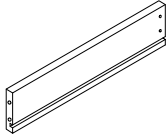
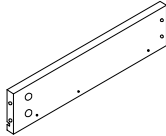
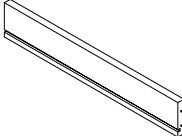
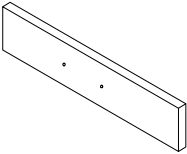
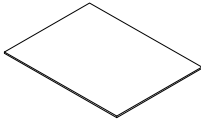

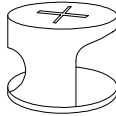
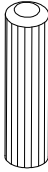

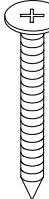
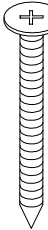
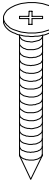
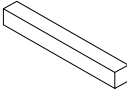
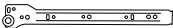


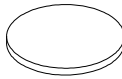
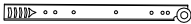


60'

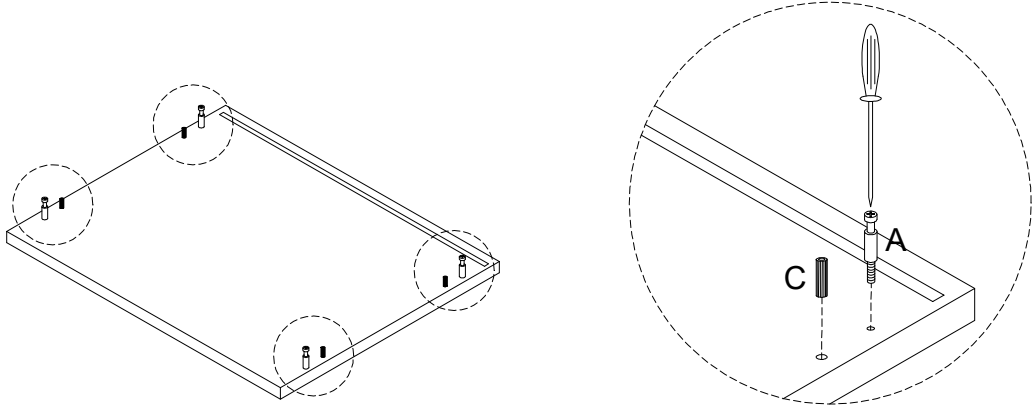
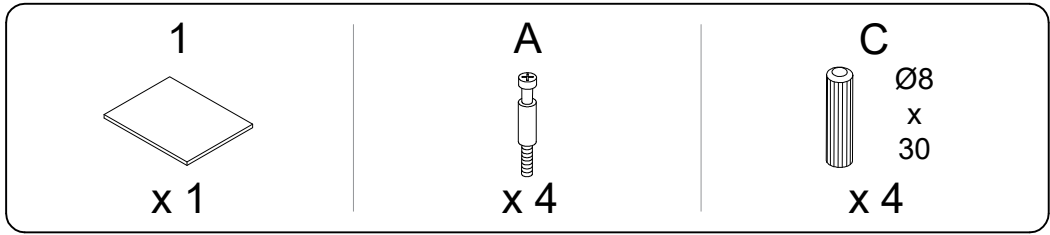


2

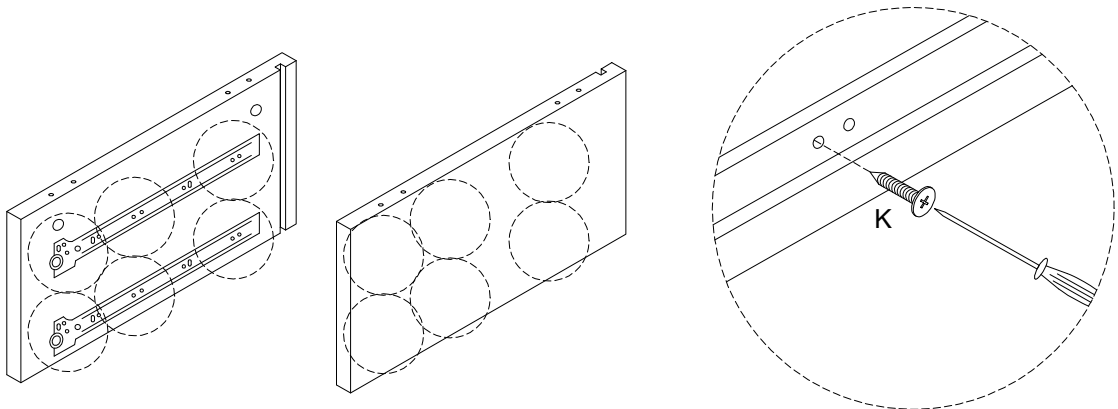
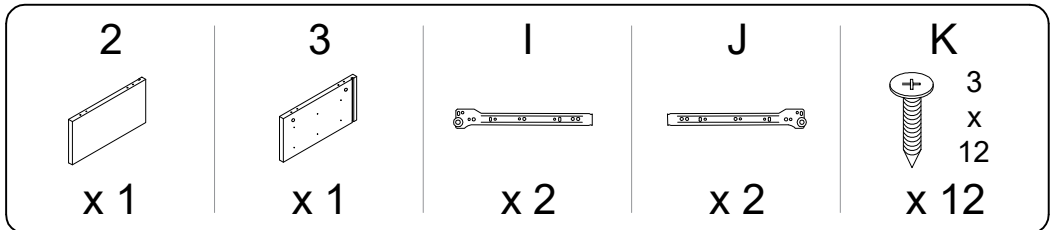


<p>1</p>  <p>x 1</p>	<p>2</p>  <p>x 1</p>	<p>3</p>  <p>x 1</p>	<p>4</p>  <p>x 1</p>	
<p>5</p>  <p>x 1</p>	<p>6</p>  <p>x 4</p>	<p>7</p>  <p>x 2</p>	<p>8</p>  <p>x 2</p>	<p>9</p>  <p>x 2</p>
<p>10</p>  <p>x 2</p>	<p>11</p>  <p>x 2</p>	<p>A</p>  <p>x 12</p>	<p>B</p>  <p>x 12</p>	<p>C</p>  <p>Ø8 x 30</p> <p>x 8</p>
<p>D</p>  <p>x 2</p>	<p>E</p>  <p>4 x 30</p> <p>x 8</p>	<p>F</p>  <p>4 x 35</p> <p>x 4</p>	<p>G</p>  <p>4 x 25</p> <p>x 4</p>	<p>H</p>  <p>x 2</p>
<p>I</p>  <p>x 2</p>	<p>J</p>  <p>x 2</p>	<p>K</p>  <p>3 x 12</p> <p>x 24</p>	<p>L</p>  <p>x 4</p>	<p>M</p>  <p>x 2</p>

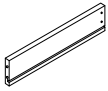
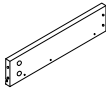
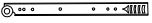
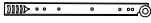
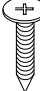
1

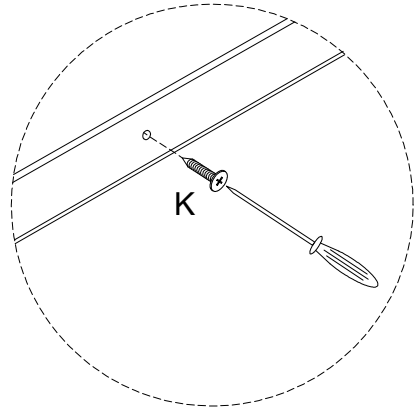
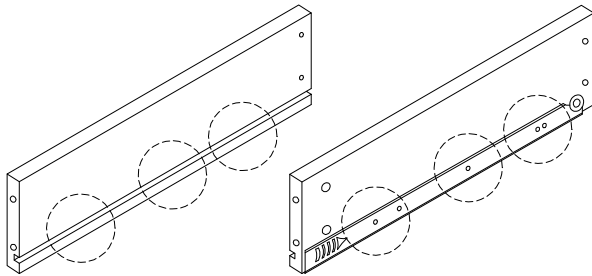


2

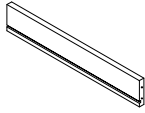
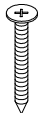


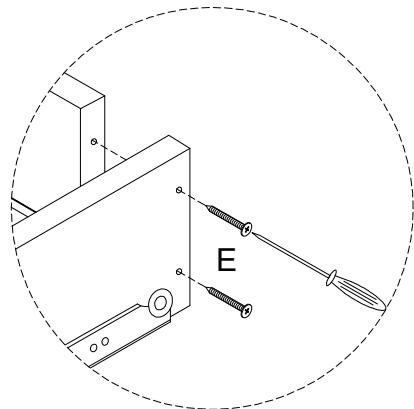
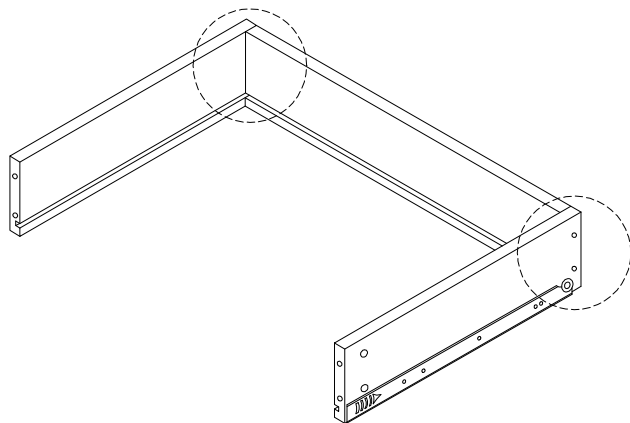
3 x 2

7  x 1	8  x 1	D  x 1	M  x 1	K  3 x 12 x 6
---	---	---	---	---

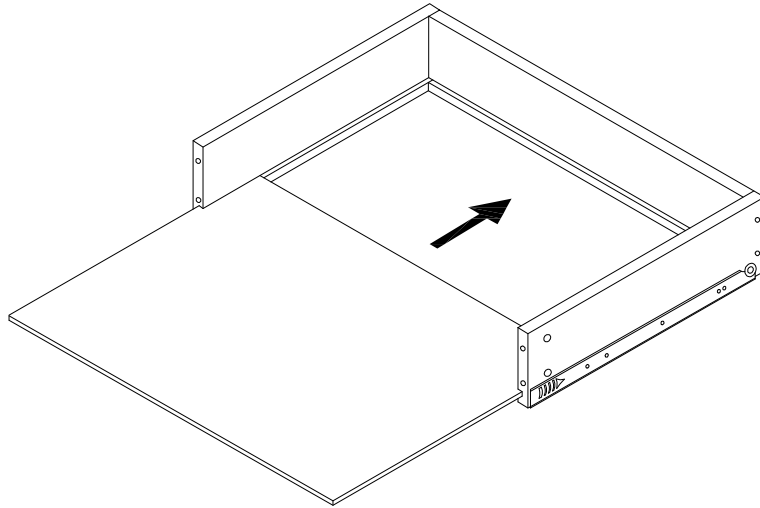
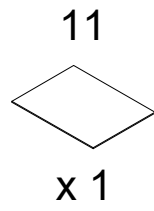


4 x 2

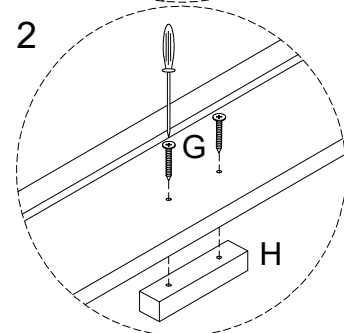
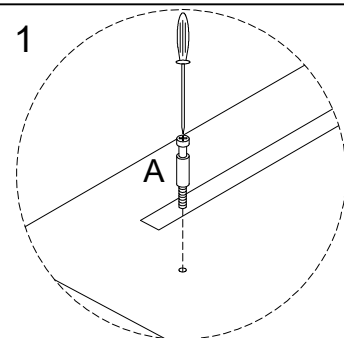
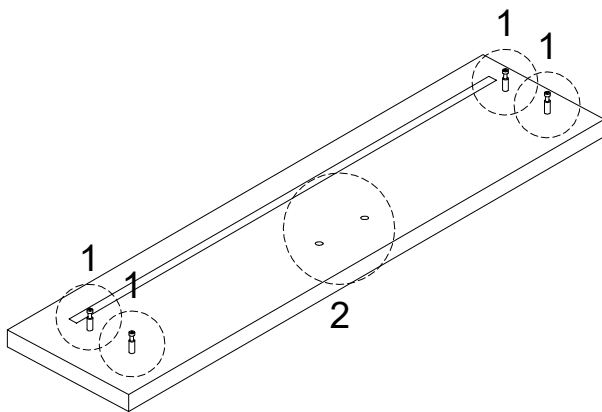
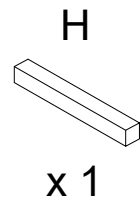
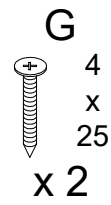
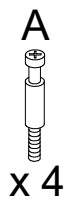
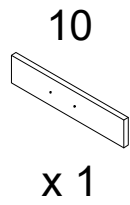
9  x 1	E  4 x 30 x 4
---	---



5 x 2

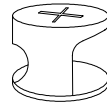


6 x 2

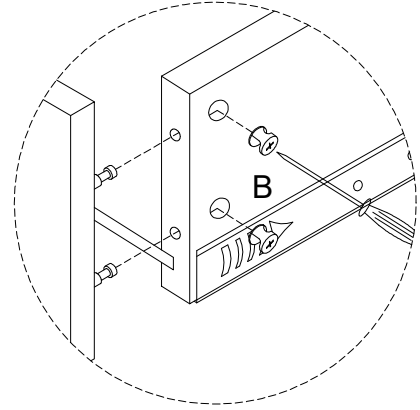
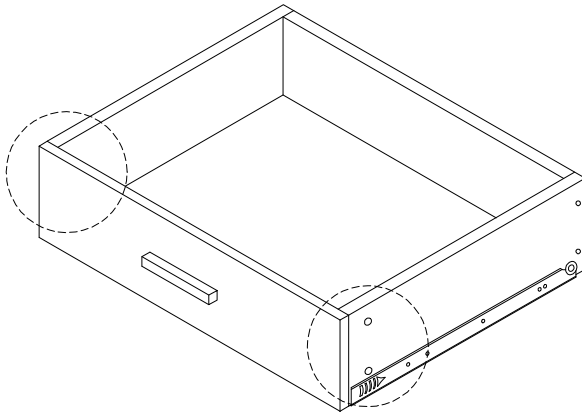


7 x 2

B

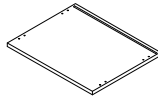


x 4



8

4

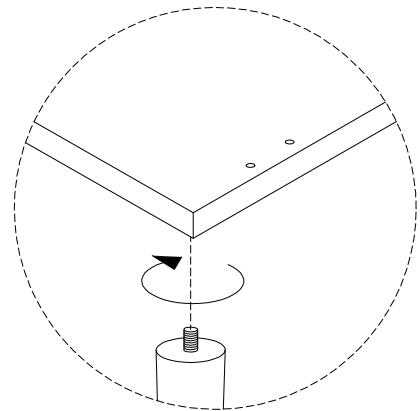
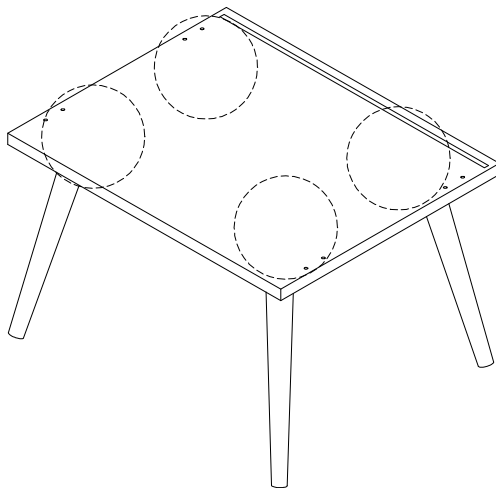


x 1

6

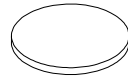


x 4

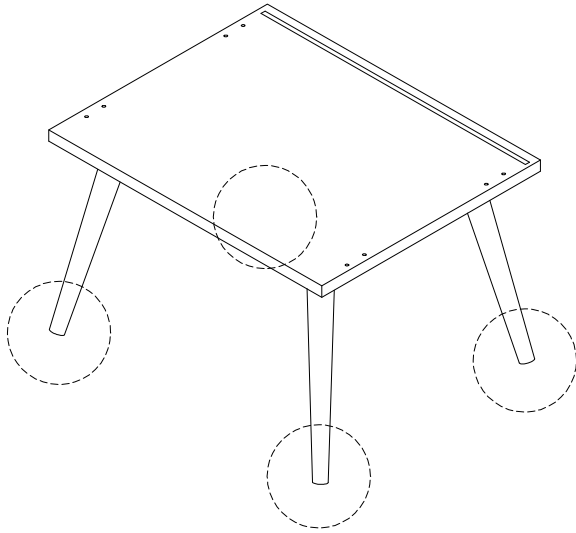


9

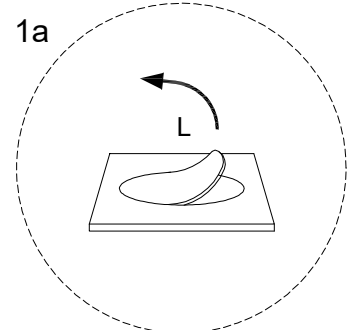
L



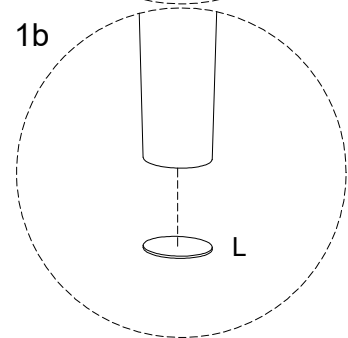
x 4



1a



1b



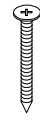
10

C

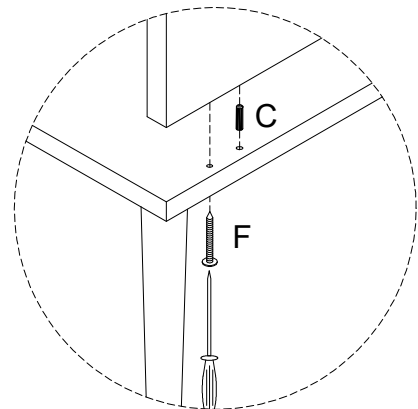
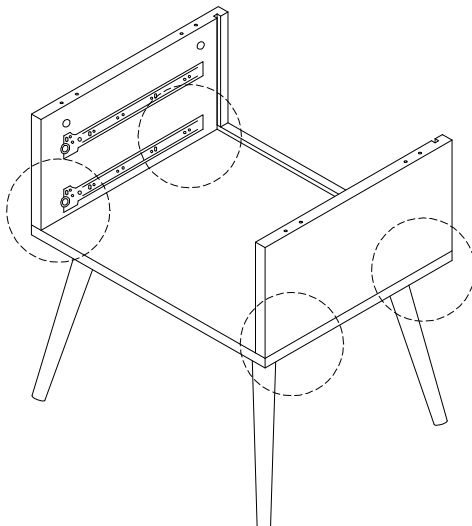


Ø8
x
30
x 4

F

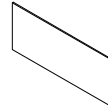


4
x
35
x 4

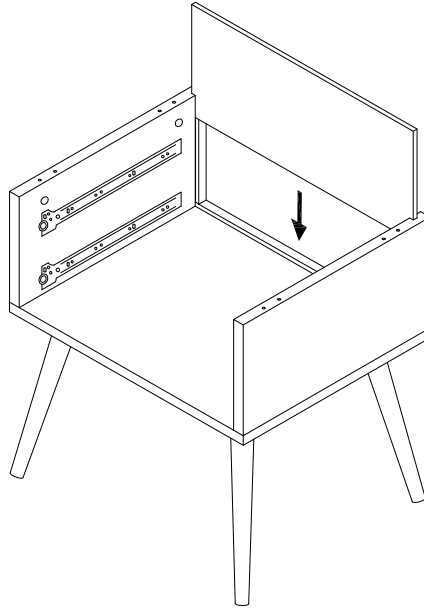


11

5



x 1



12

B



x 4

