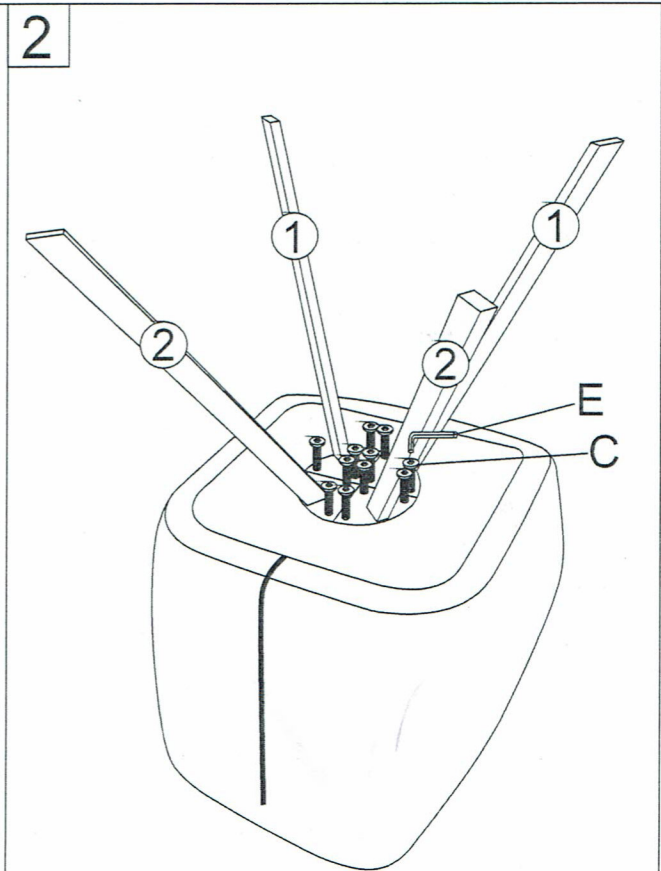
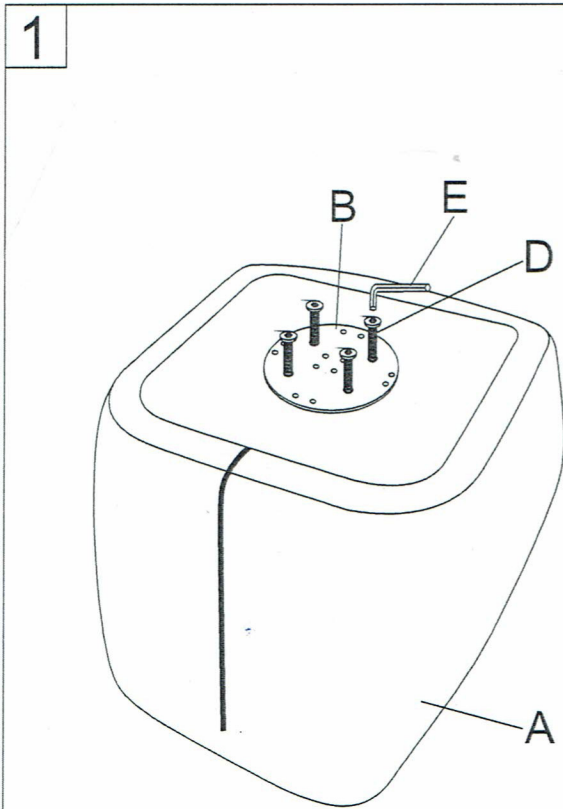


# ITEM#:GHC-21891

# BUYER ITEM#: 2223



① x2	② x2
Ax1	Bx1
Cx12	Dx4
Ex1	