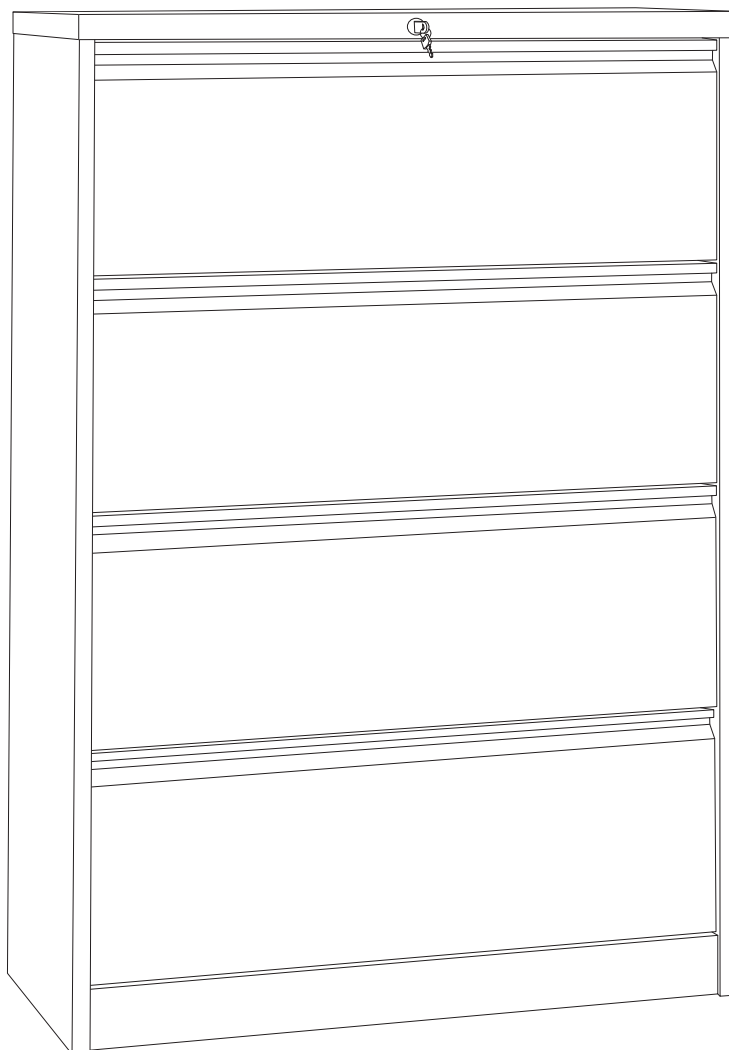
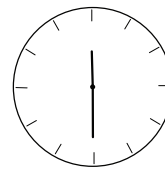
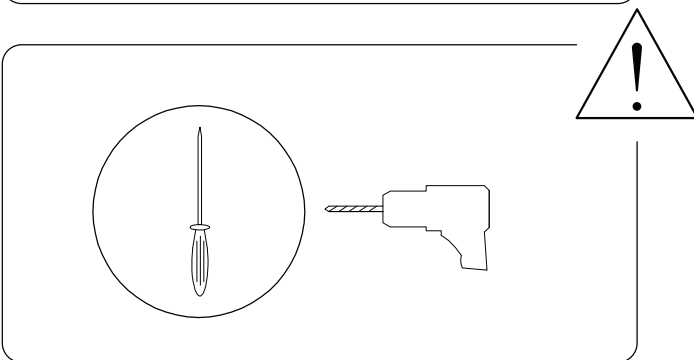
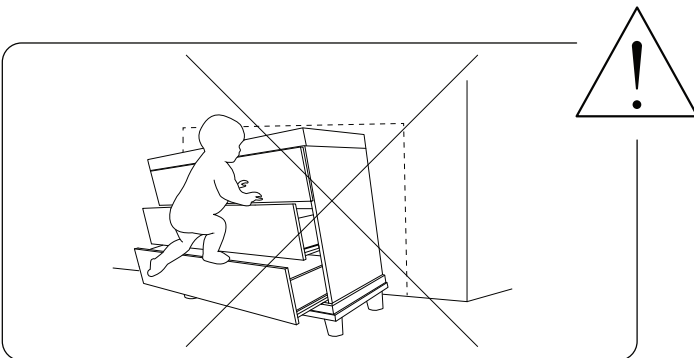
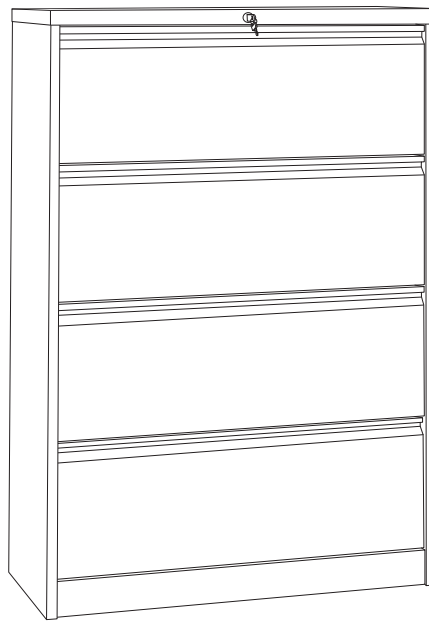
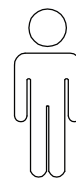
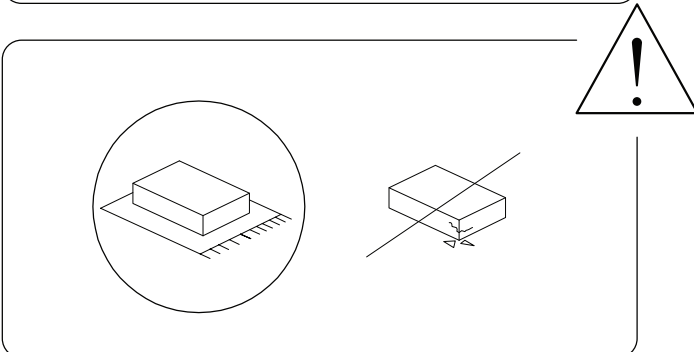


HALITE

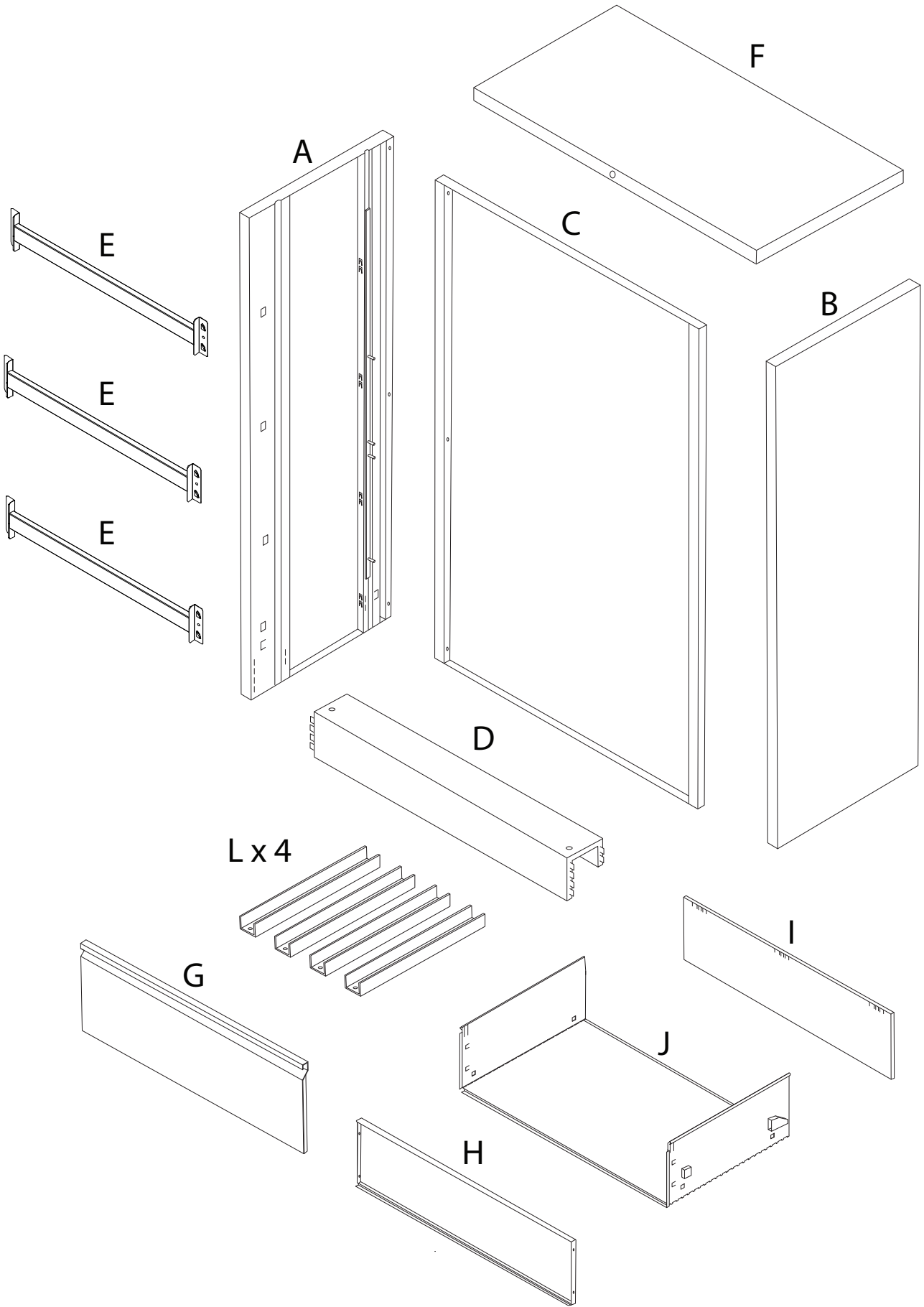




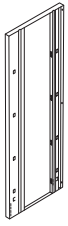
30'



2



A



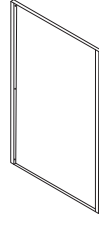
x 1

B



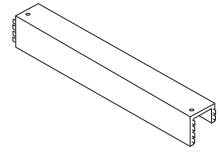
x 1

C



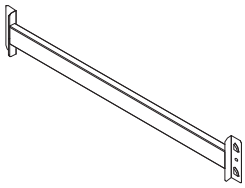
x 1

D



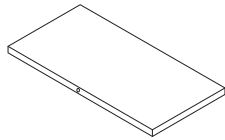
x 1

E



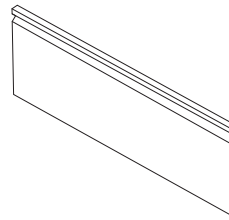
x 3

F



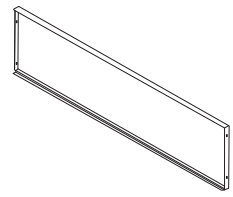
x 1

G



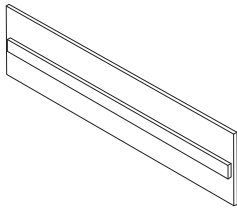
x 4

H



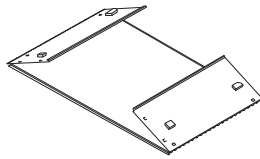
x 4

I



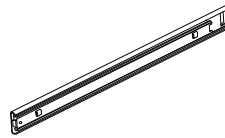
x 4

J



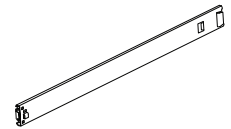
x 4

KL



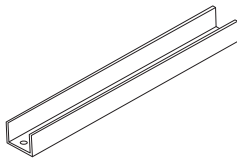
x 4

KP



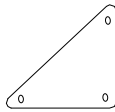
x 4

L



x 16

M



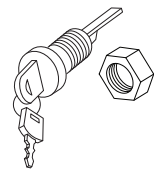
x 4

O



x 20

P



x 1

Q₁



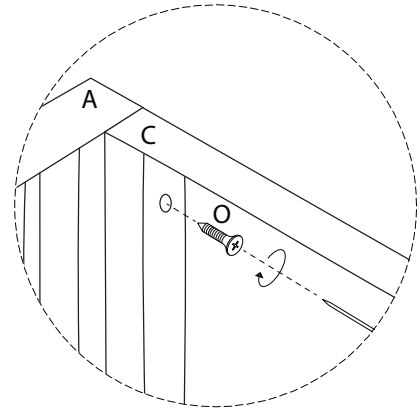
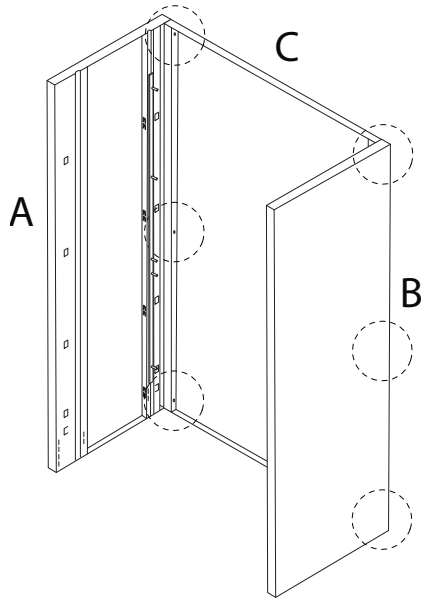
x 1

Q₂

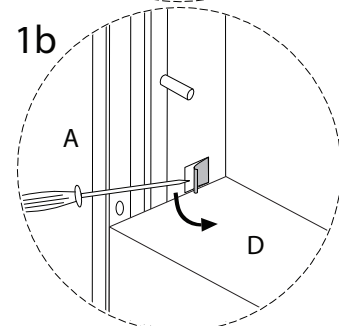
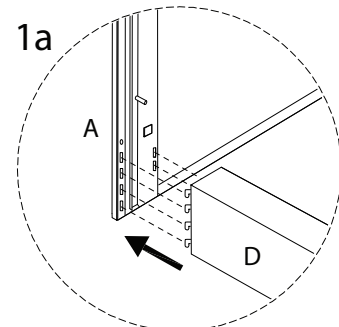
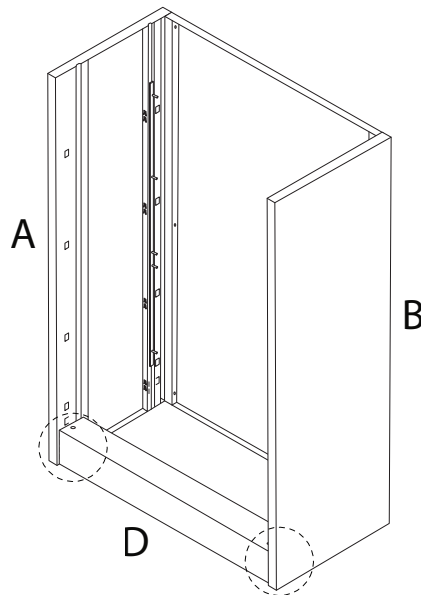
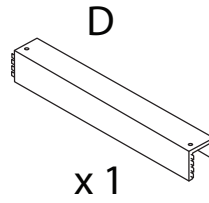


x 1

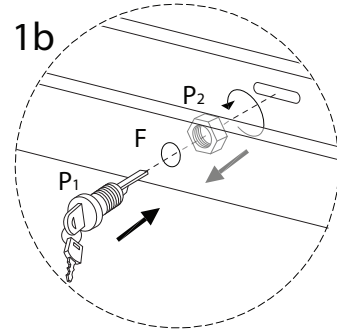
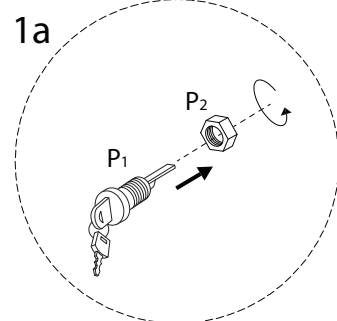
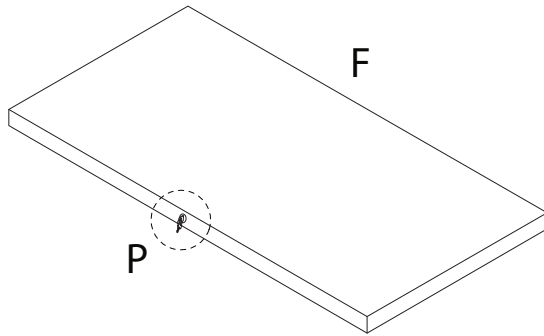
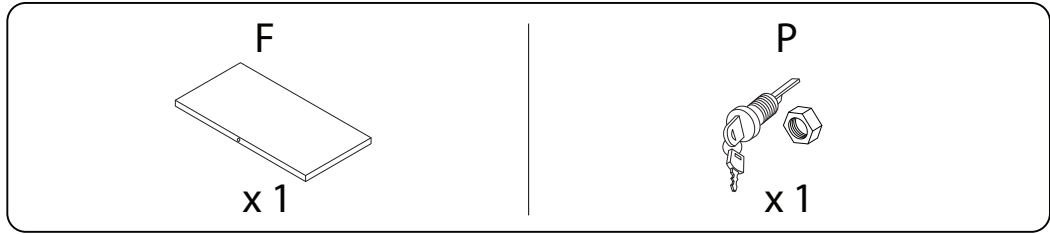
1



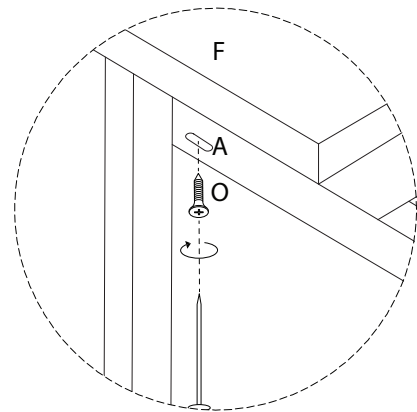
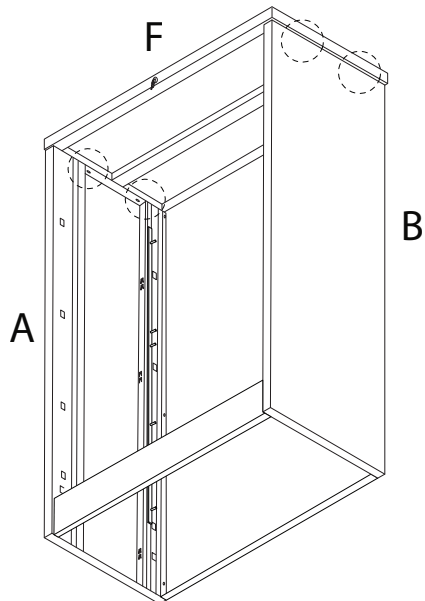
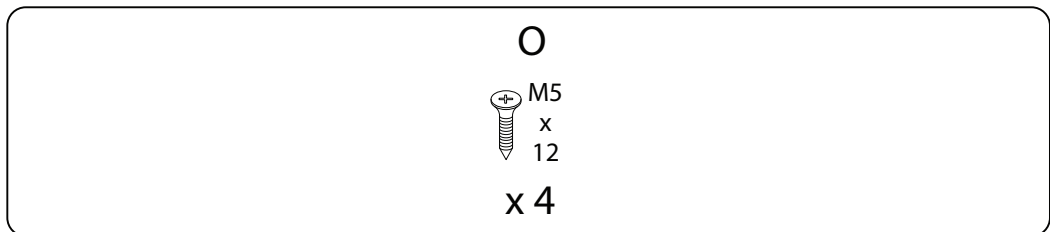
2



3



4



5

M

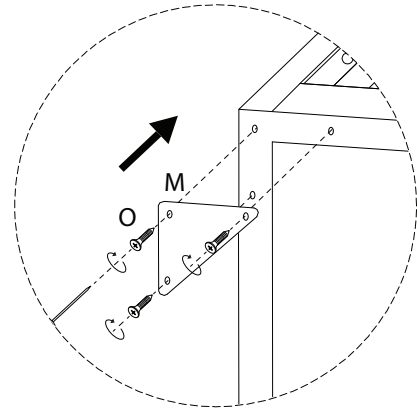
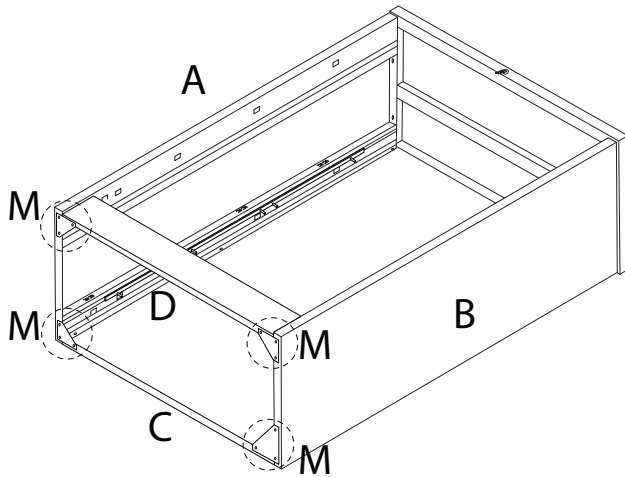


x 4

O



x 12



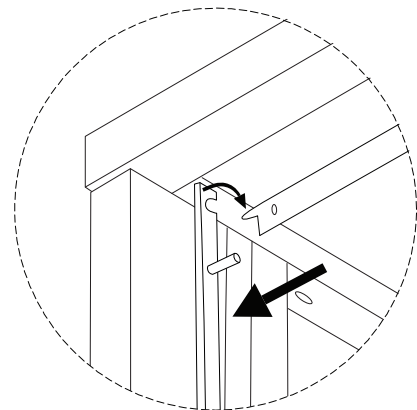
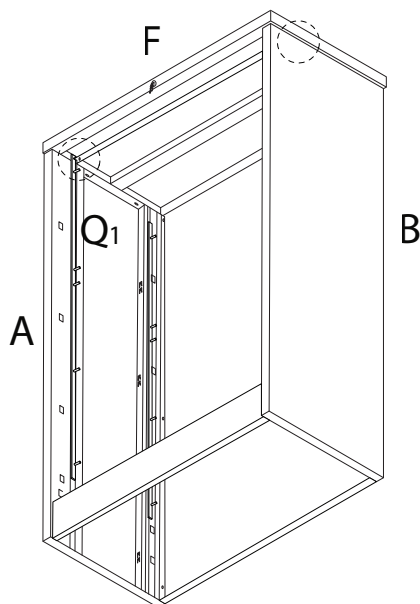
6

Q1

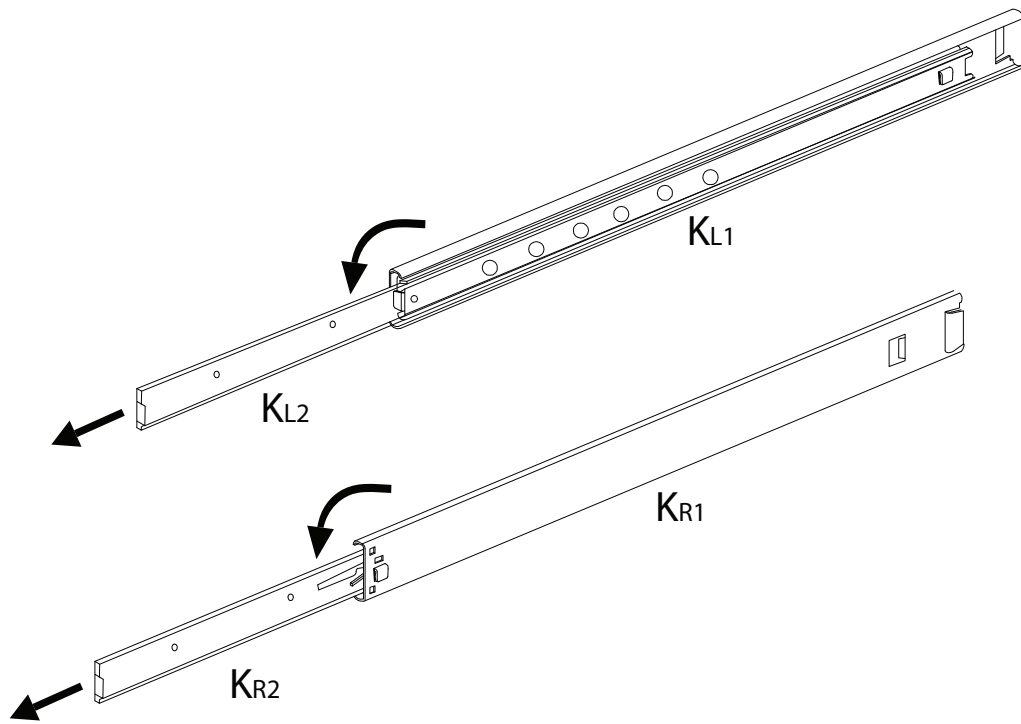
x 1

Q2

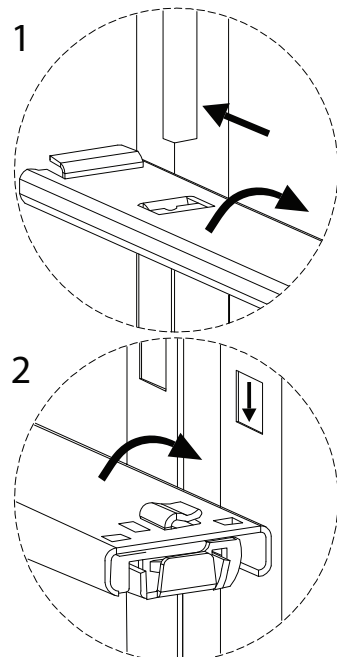
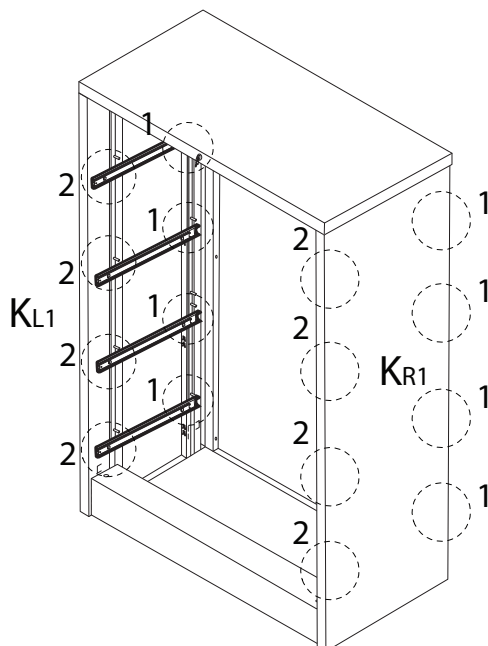
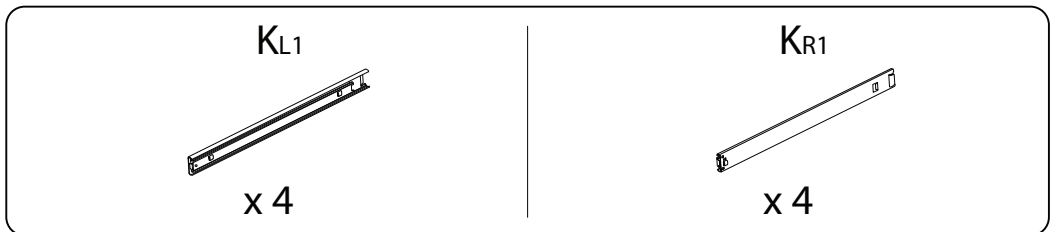
x 1



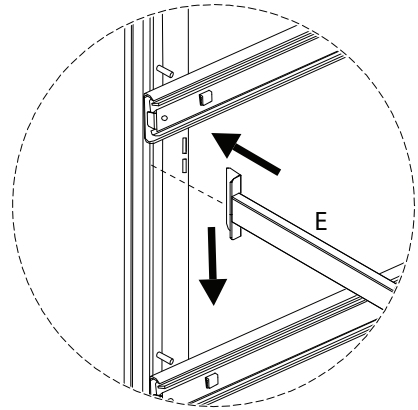
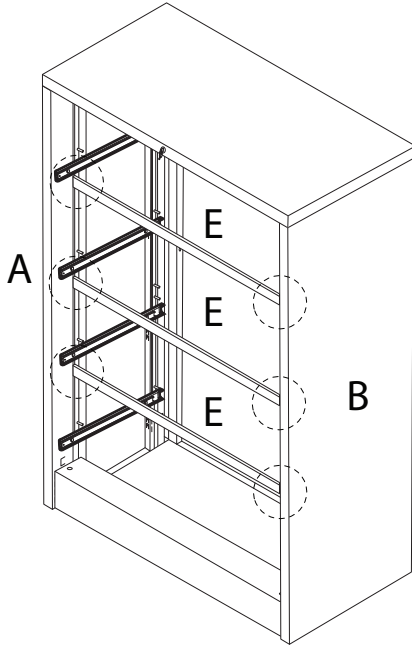
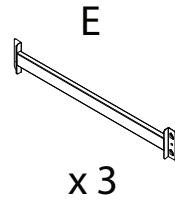
!



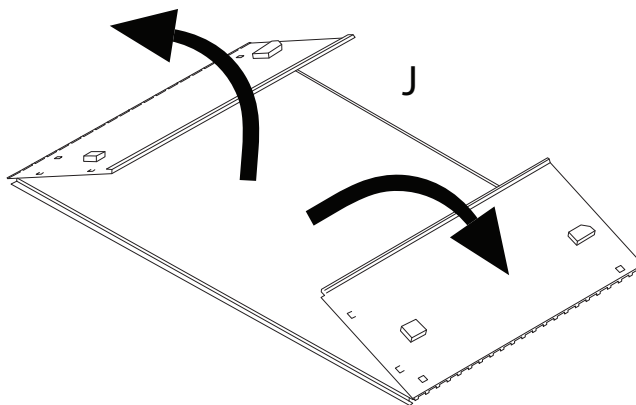
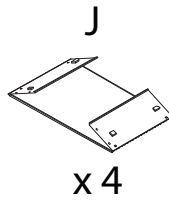
7



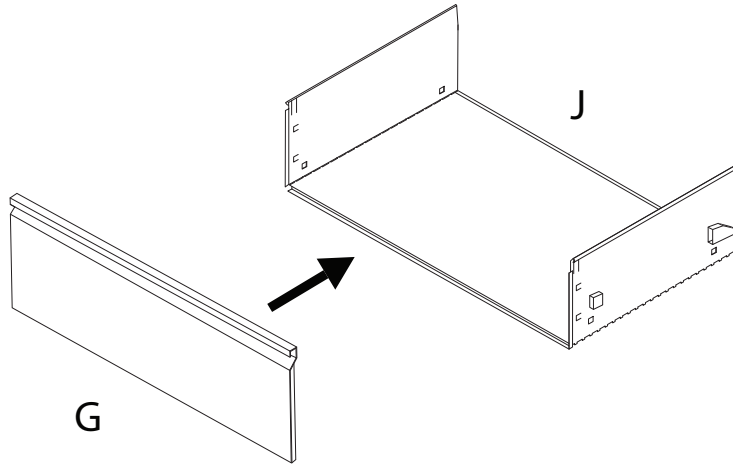
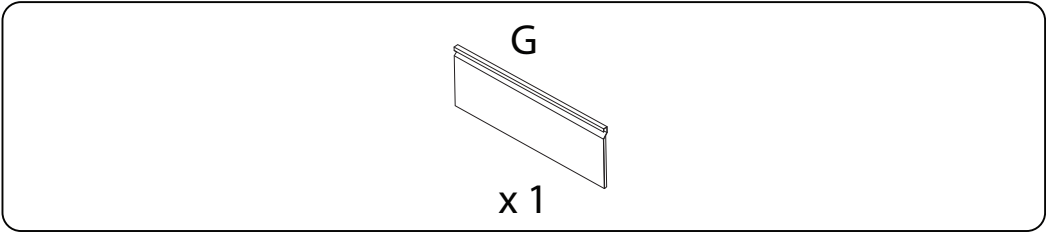
8



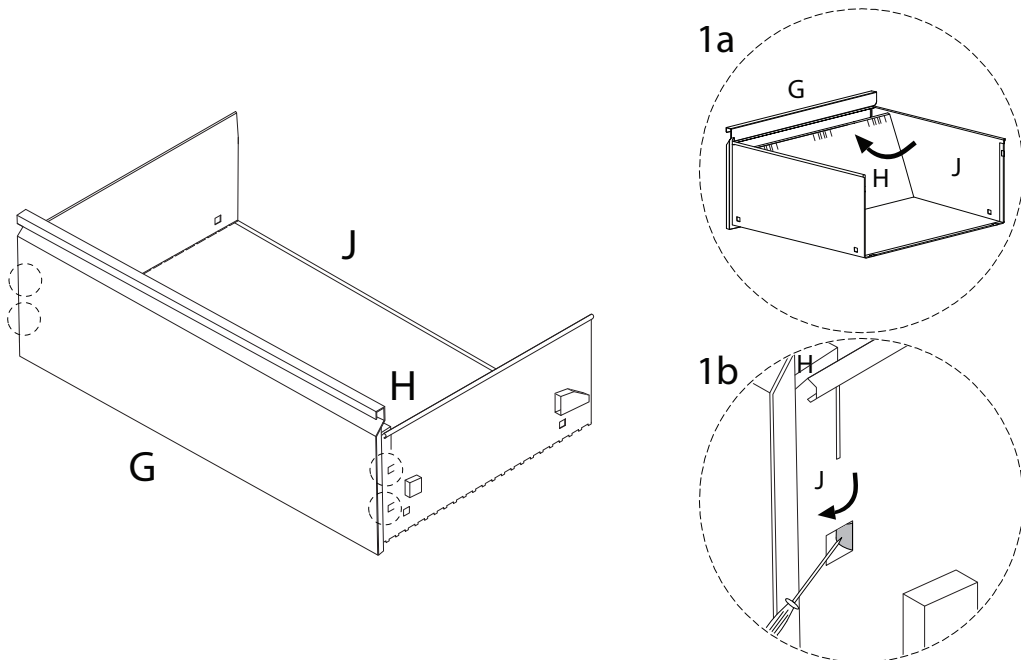
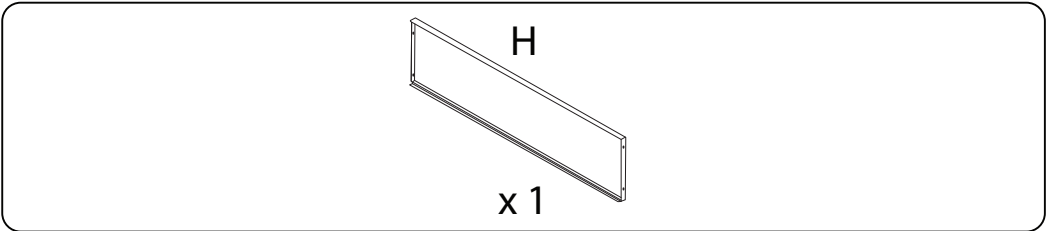
9 x 4



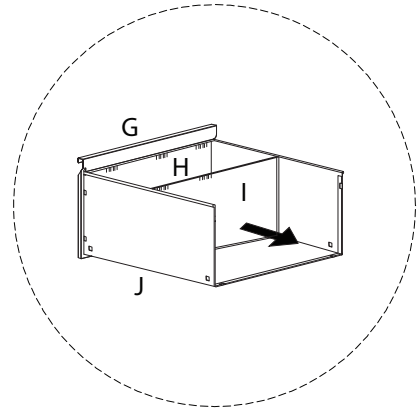
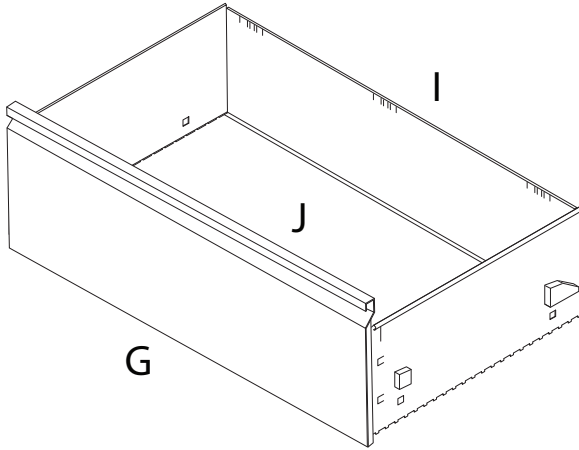
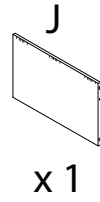
10 x 4



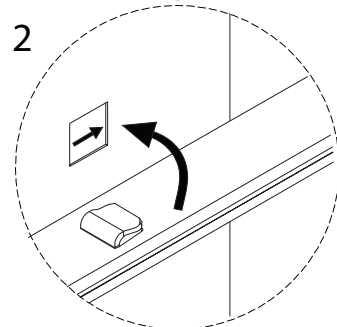
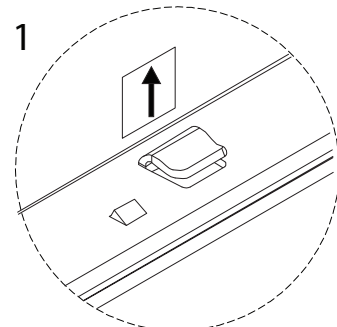
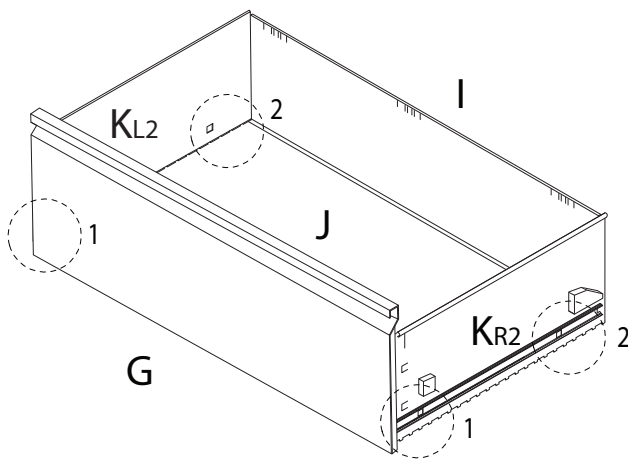
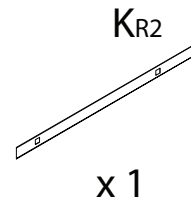
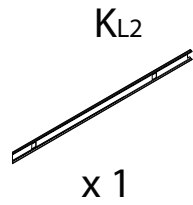
11 x 4



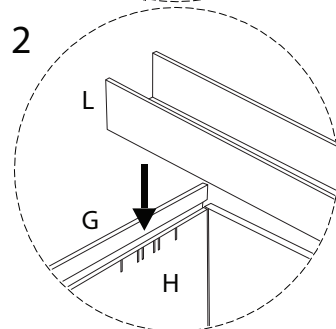
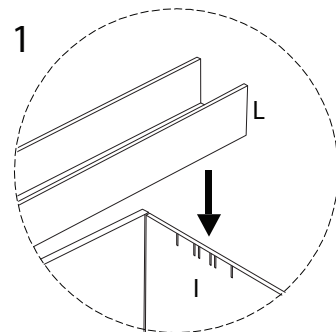
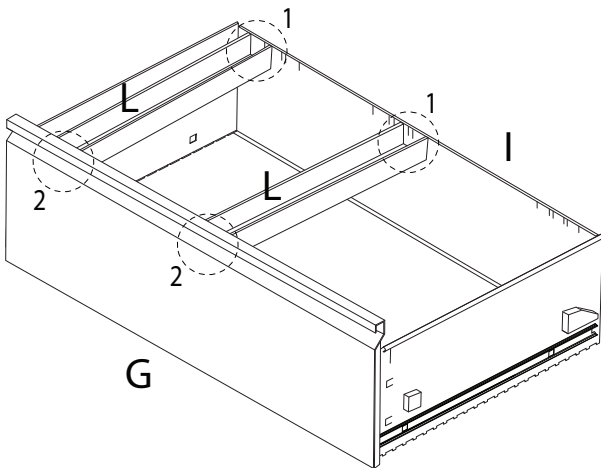
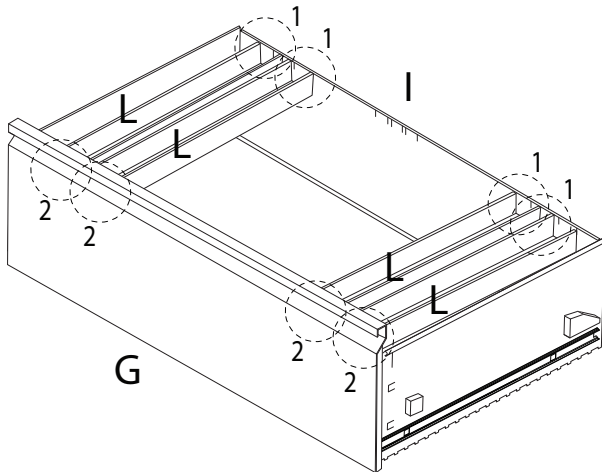
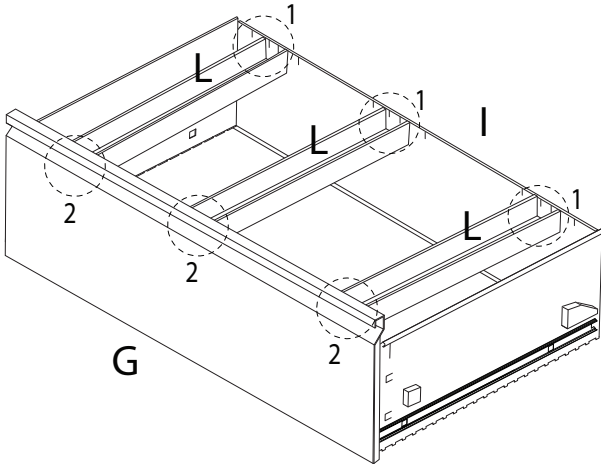
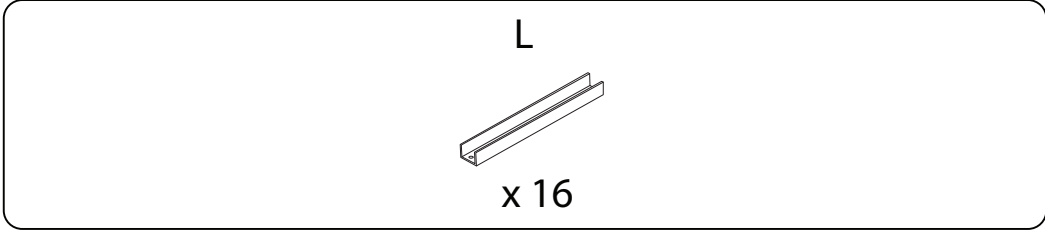
12 x 4



13 x 4



!



14

