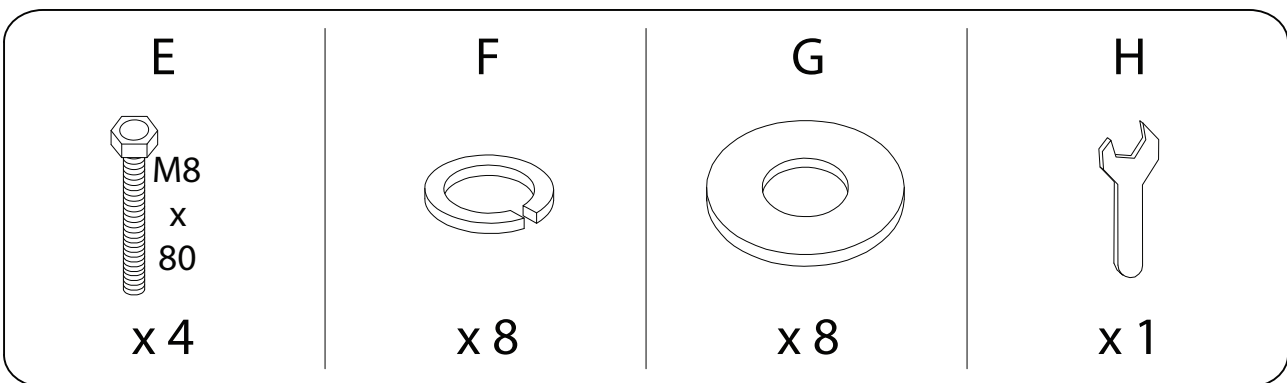
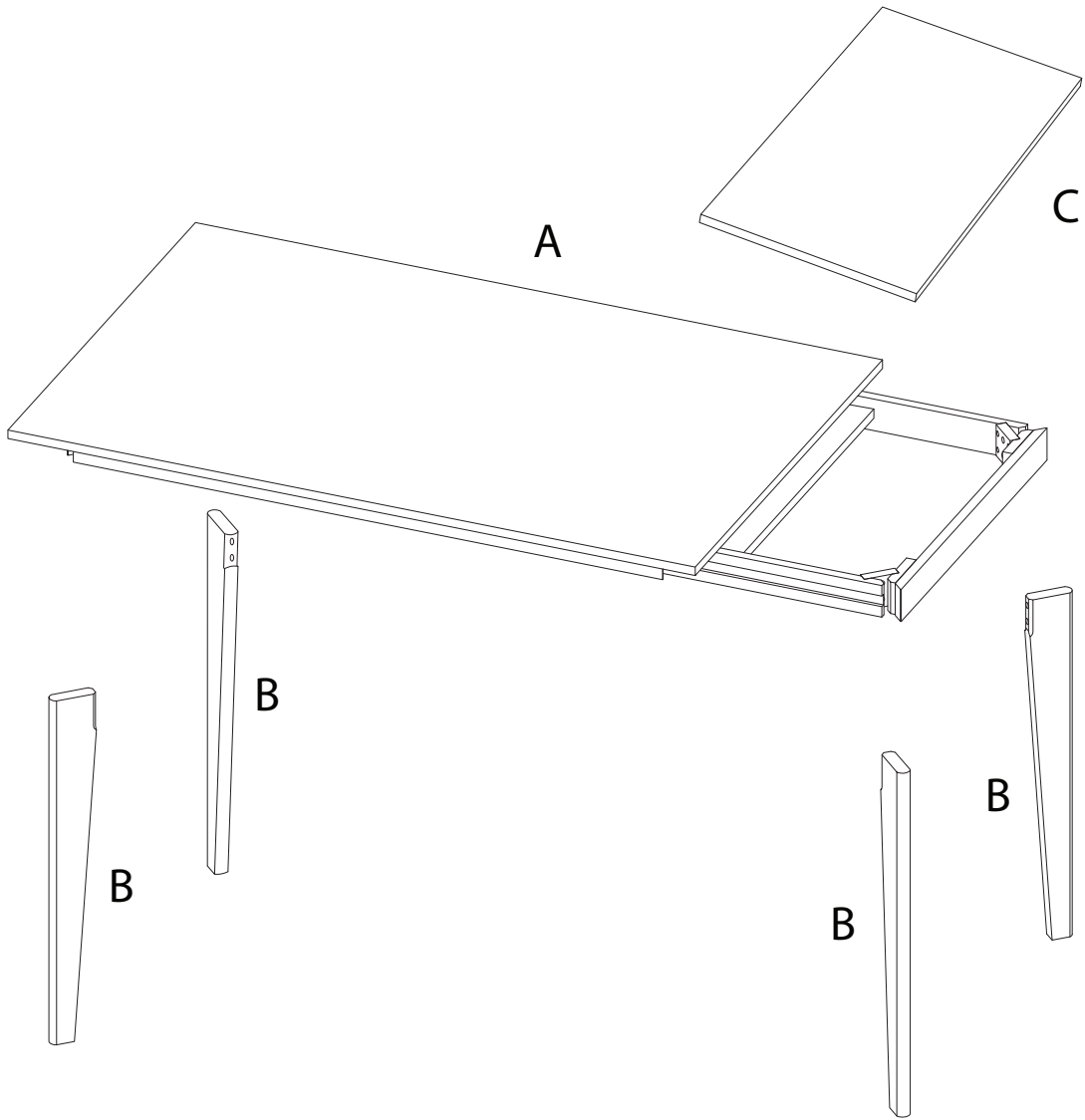
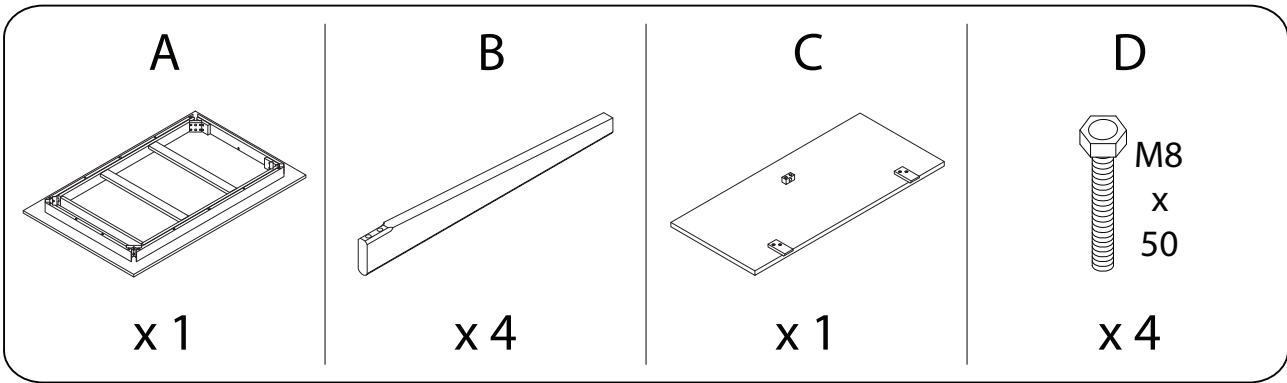


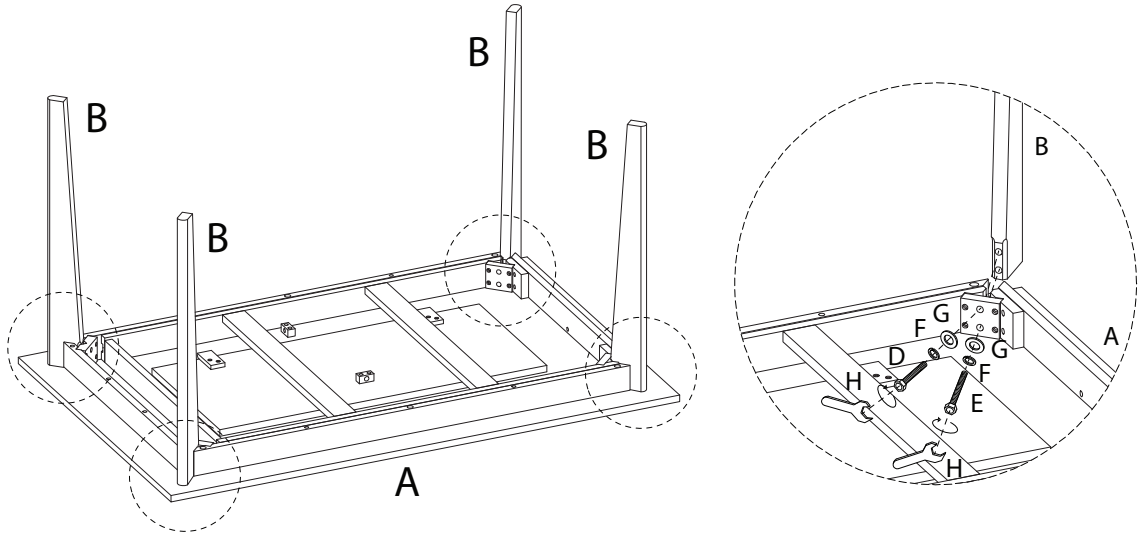
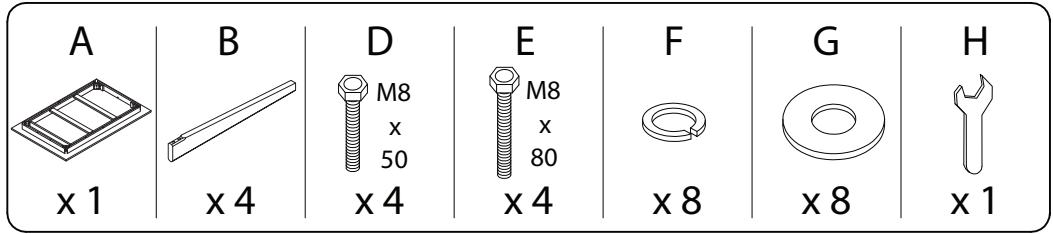
Assembly instructions for step 1/4:

- Tools:** A wrench is required. A power drill is not required (indicated by a crossed-out drill icon).
- Warnings:** A warning triangle with an exclamation mark is present.
- Time:** Estimated assembly time is 20 minutes (indicated by a clock icon).
- Personnel:** Requires 2 people (indicated by a person icon and the number 2).

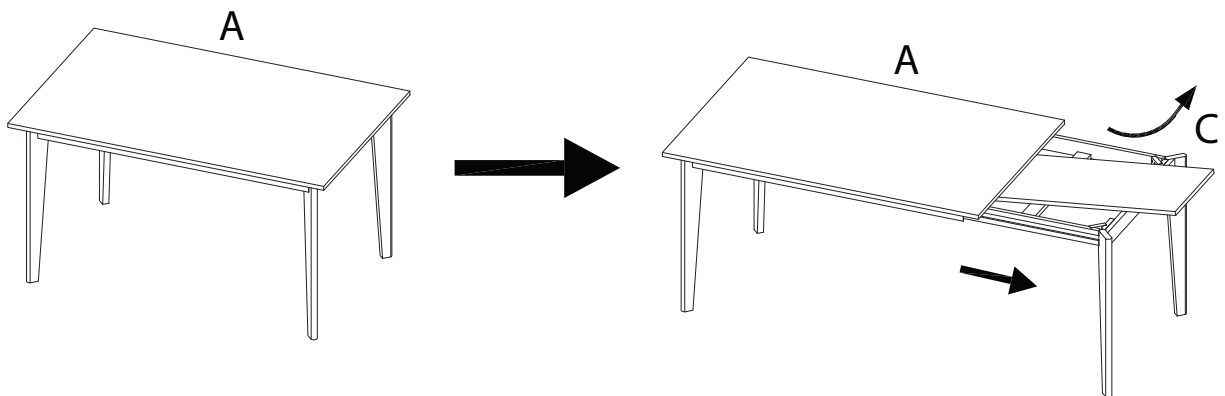
1/4



1



!



2

