


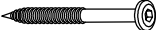


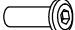




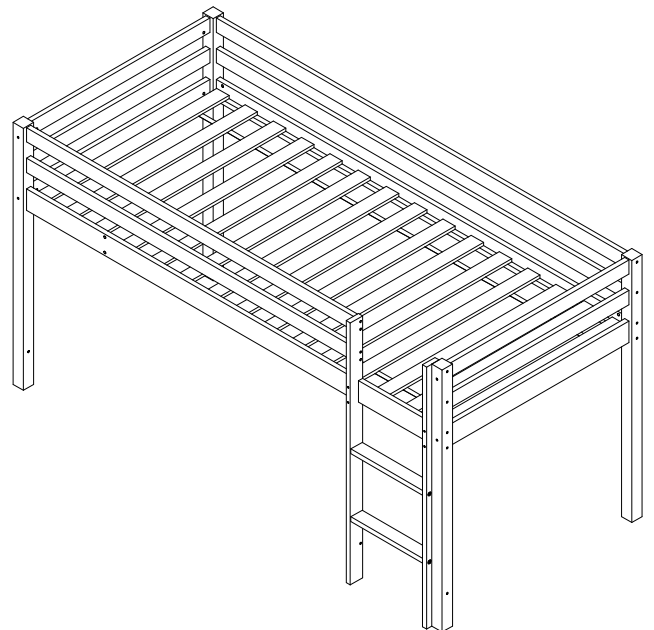
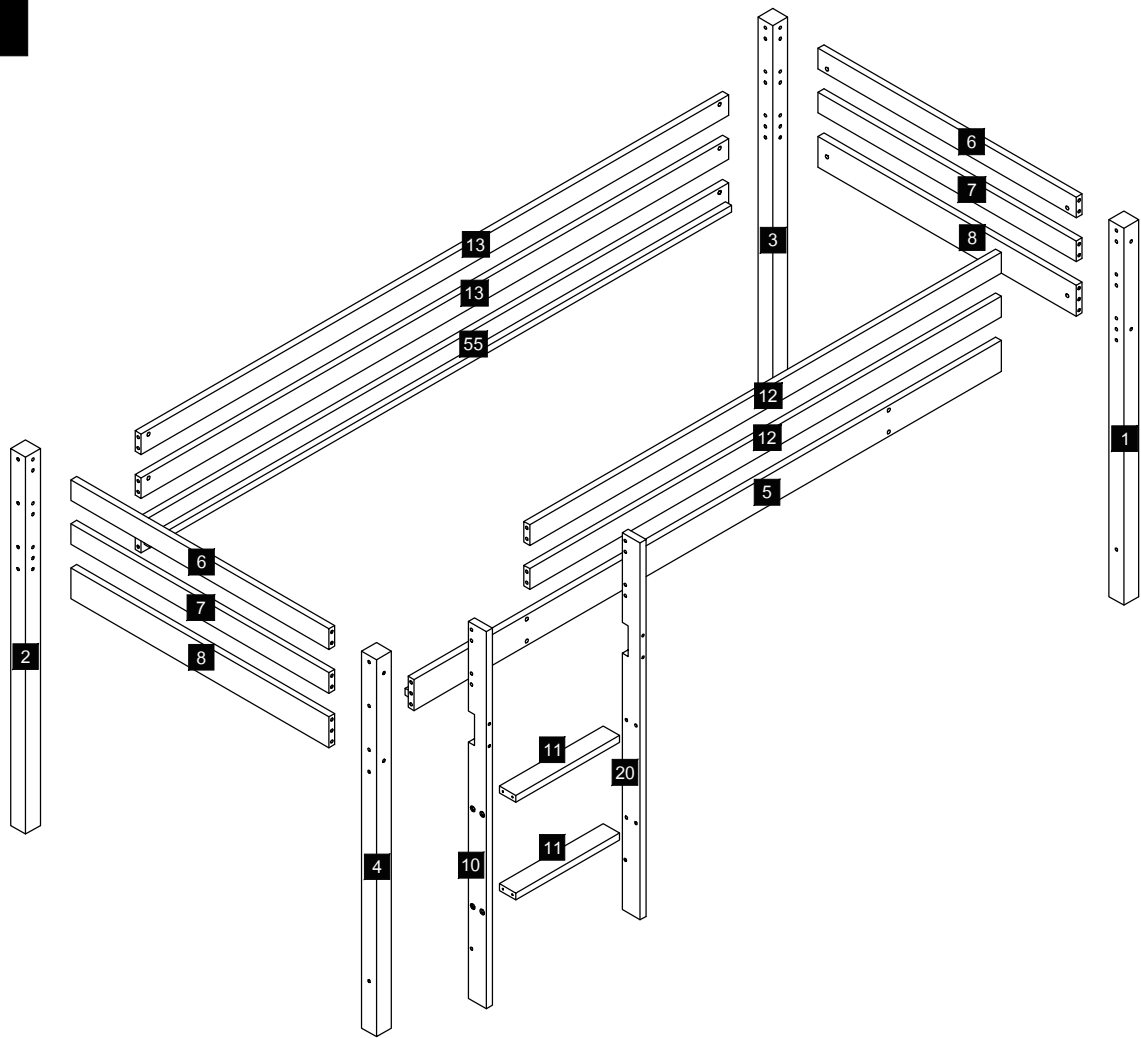


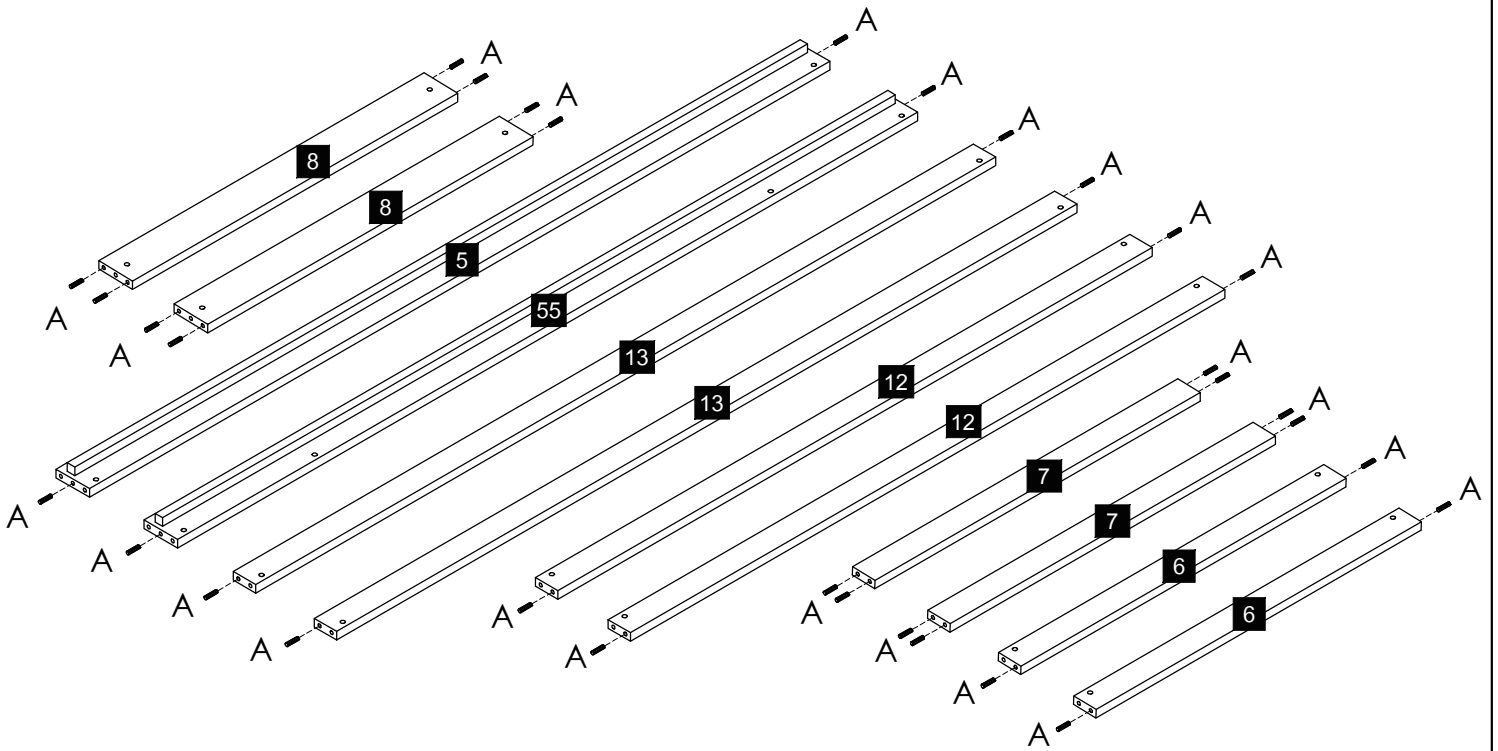
A		Φ8*30	32
B		M6*90	22
C			24
H		Φ6*70	8
M		4 mm	1
I		M6*50	2
J		M6	5
R		Φ8	12
S		M6*60	3
K		M6*70	2
L		4*30	30




STEP:1

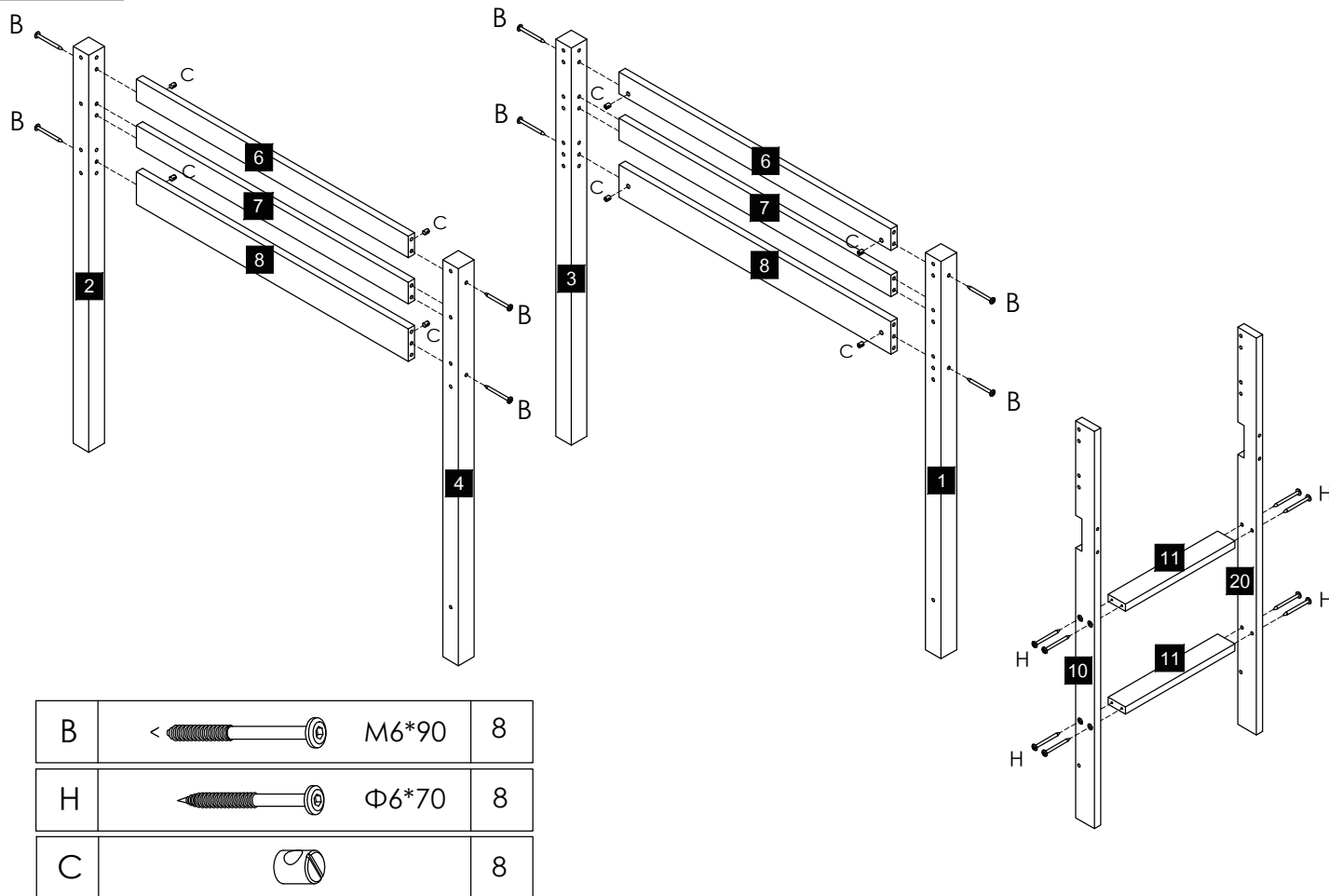


STEP:2

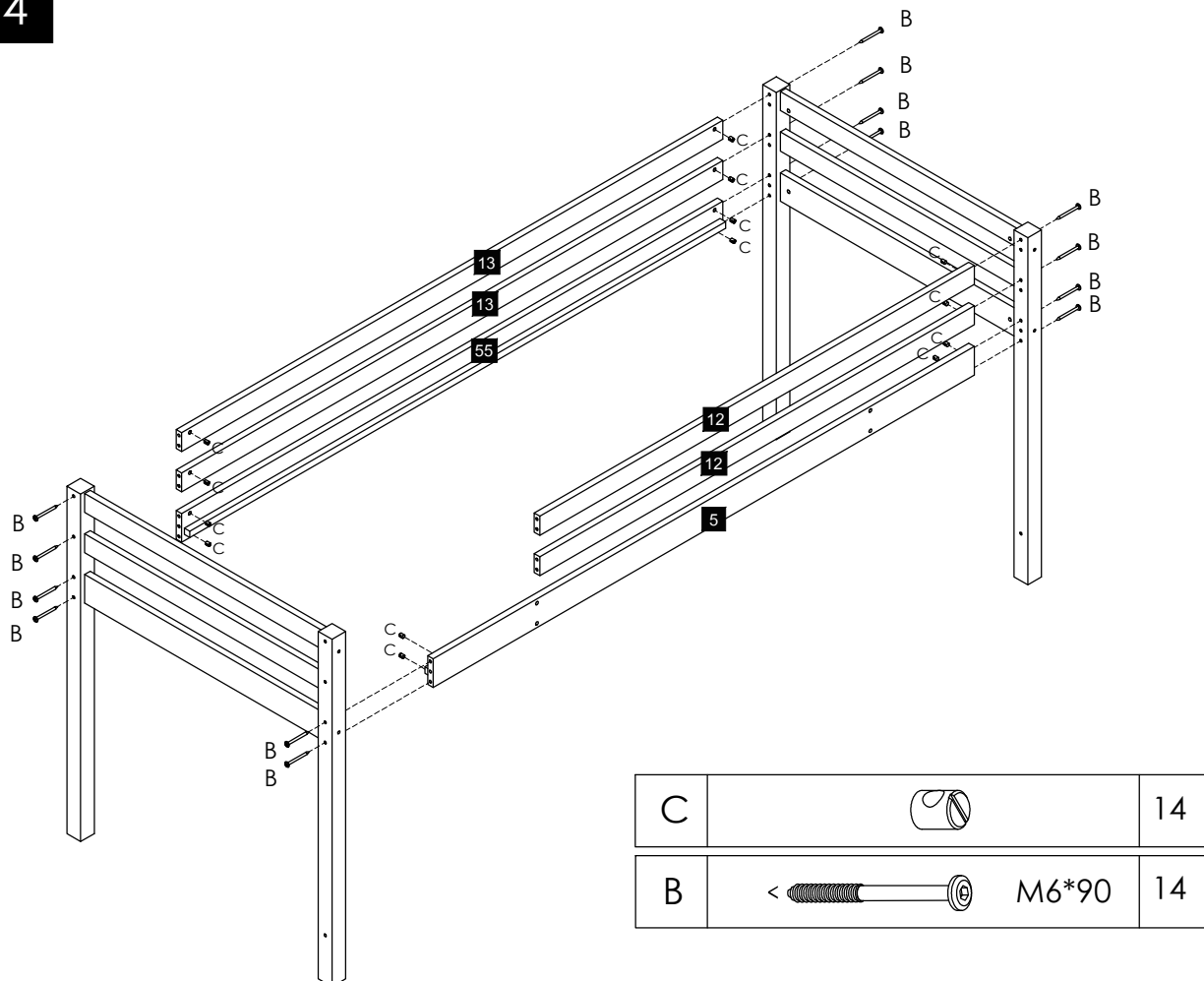


A		Φ8*30	32
---	---	-------	----

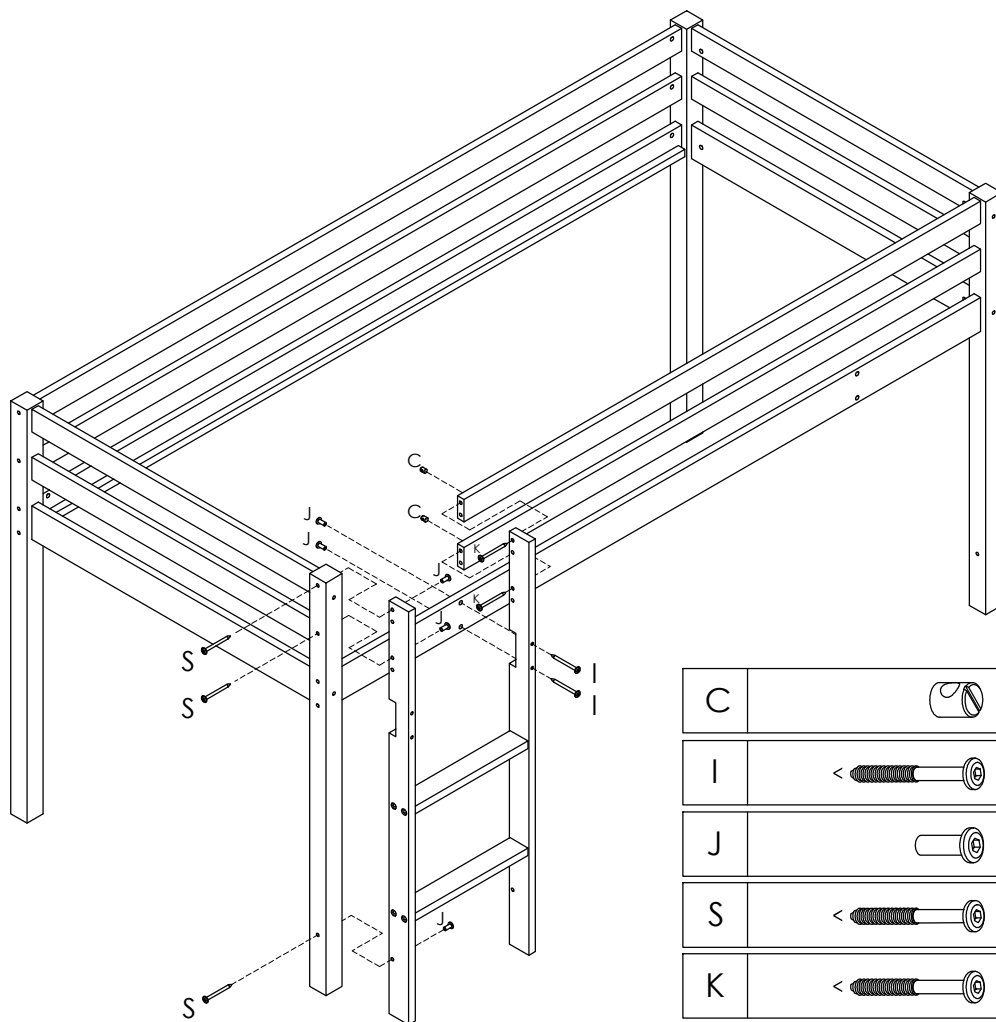
STEP:3



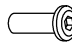

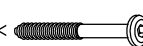


STEP:4

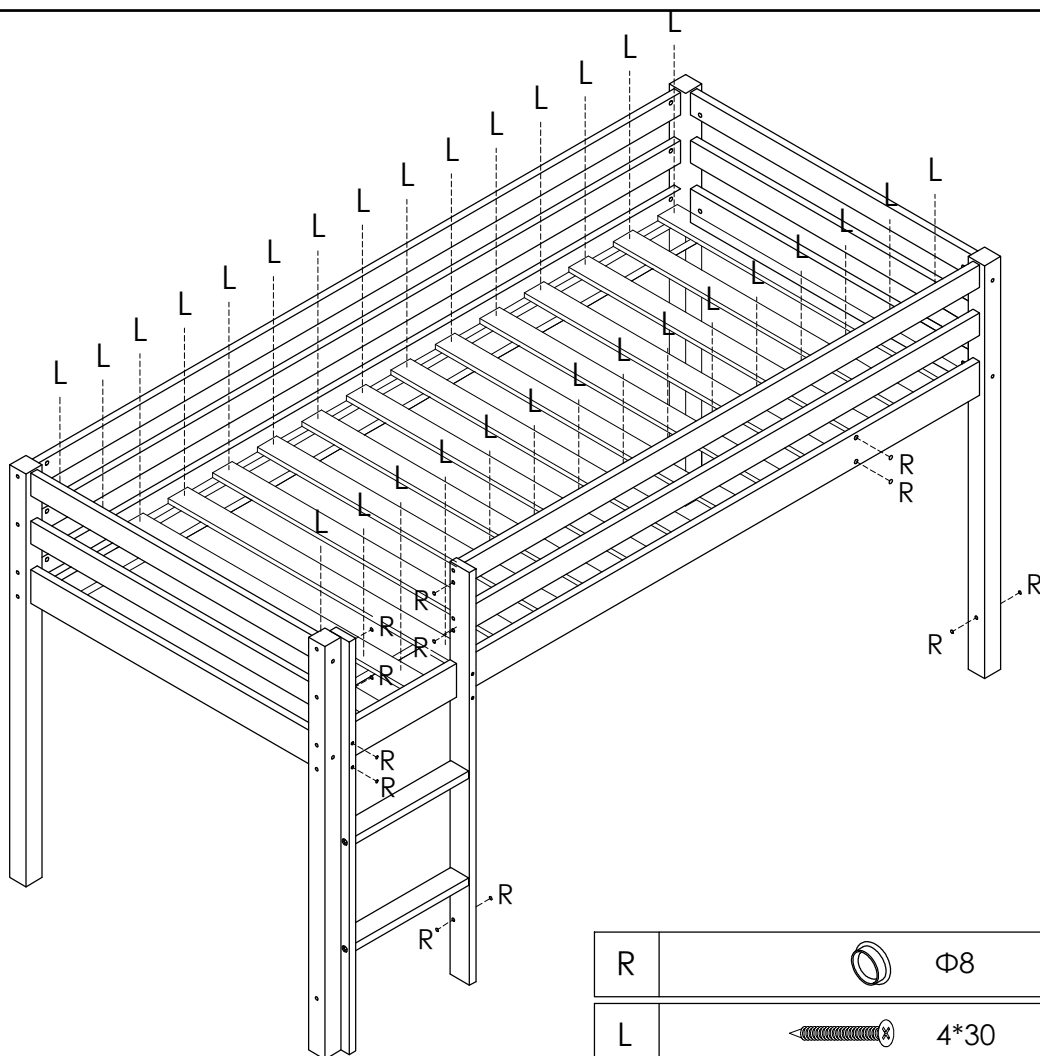




STEP:5







C			2
I		M6*50	2
J		M6	5
S		M6*60	3
K		M6*70	2

STEP:6



R		Φ8	12
L		4*30	30

1 x 22  22.5x490mm	3 x 6 	4 x 3 	2 x 4 
--	---	---	---

